

[54] ADJUSTABLE TABLE LAMP

[75] Inventor: Hans Von Klier, Milan, Italy
[73] Assignee: Olivetti Synthesis SpA, Ivrea, Italy
[**] Term: 14 Years
[21] Appl. No.: 287,997
[22] Filed: Dec. 21, 1988

[30] Foreign Application Priority Data

Jun. 27, 1988 [IT] Italy 52260/88[U]
[52] U.S. Cl. D26/65
[58] Field of Search D26/93, 102-112,
D26/72, 80-92, 60-66; 362/269, 410-414;
147/418, 419, 427, 428, 429, 431, 432, 401, 402

[56] References Cited

U.S. PATENT DOCUMENTS

D. 266,958	11/1982	Gernhardt	D26/92
D. 284,108	6/1986	Bonetto	D26/65
D. 302,865	8/1989	Von Klier	D26/63
3,790,773	2/1974	Sapper	362/401
4,494,177	1/1985	Mathews	362/418 X

OTHER PUBLICATIONS

Abitare Magazine Supplement #176, 7/8-1979, p. 9, Floor Lamp.
Abitare Magazine Supplement #176, 7/8-1979, p. 9, Ceiling Lamp.

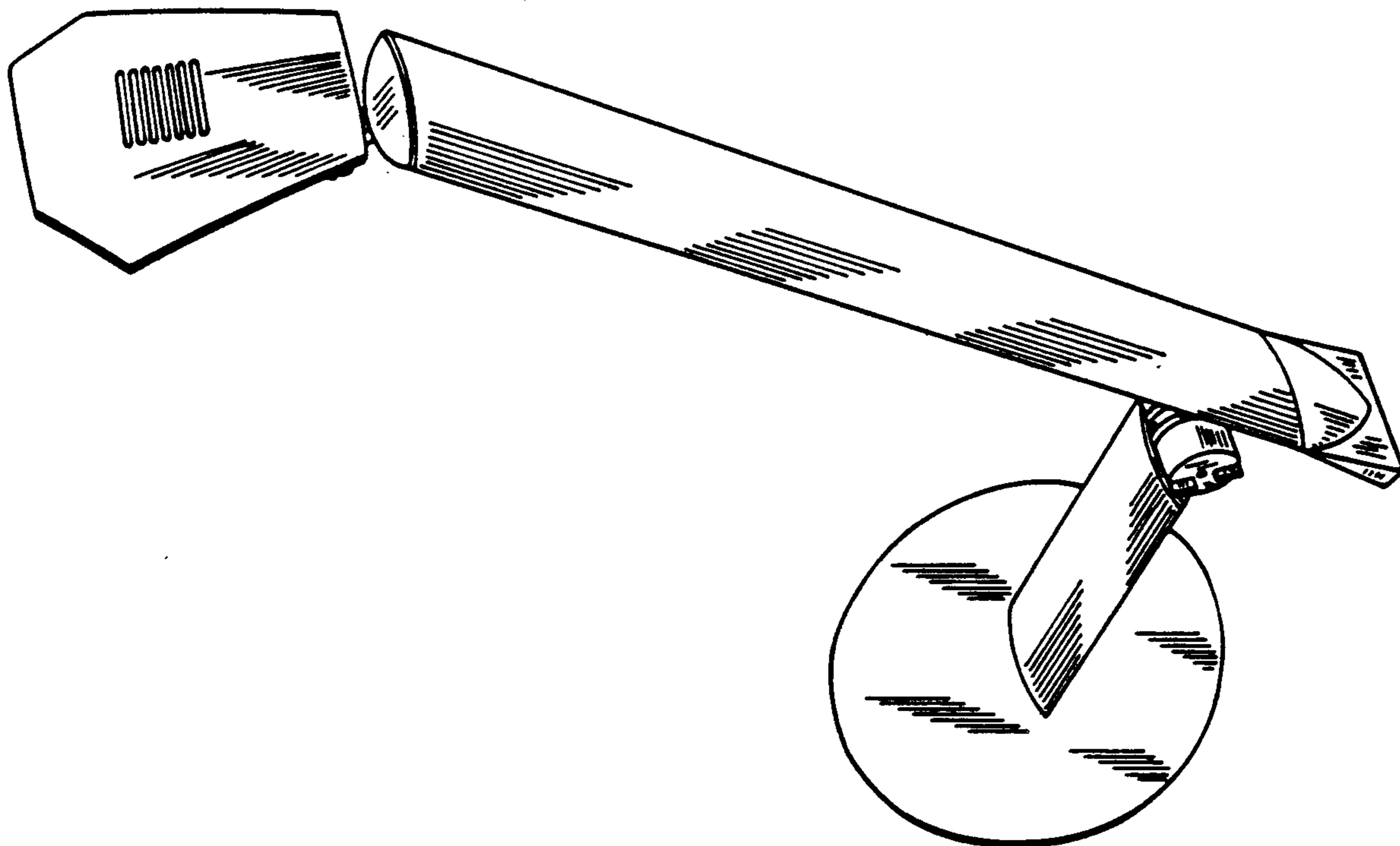
Primary Examiner—Susan J. Lucas
Attorney, Agent, or Firm—Banner, Birch, McKie & Beckett

CLAIM

[57] The ornamental design for an adjustable table lamp, as shown and described.

DESCRIPTION

FIG. 1 is a top, right side perspective view of an adjustable table lamp showing my new design;
FIG. 2 is a right side elevational view thereof;
FIG. 3 is a front elevational view thereof;
FIG. 4 is a rear elevational view thereof;
FIG. 5 is a bottom, right side perspective view thereof; and
FIG. 6 is a left side elevational view thereof.



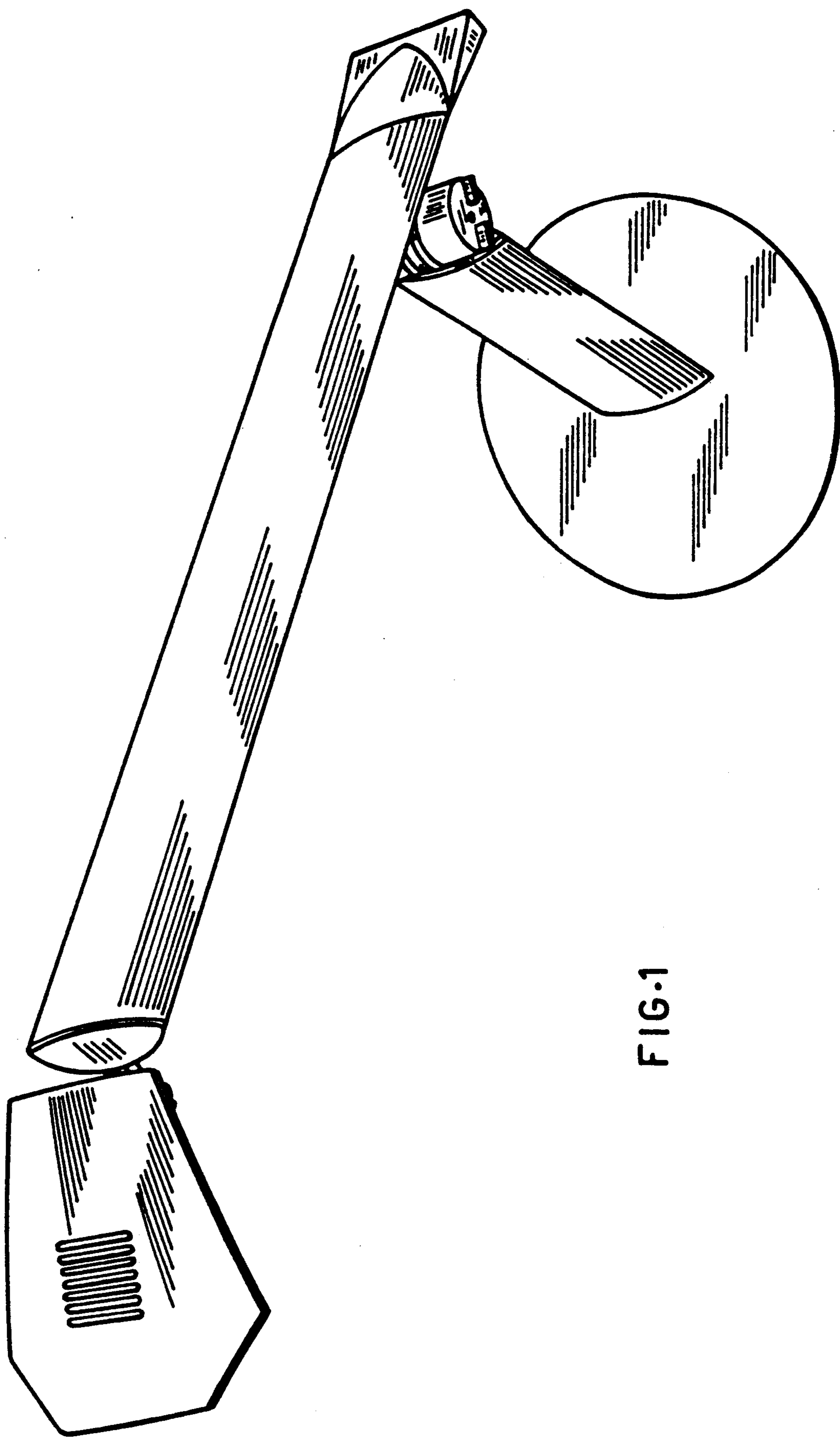


FIG. 1

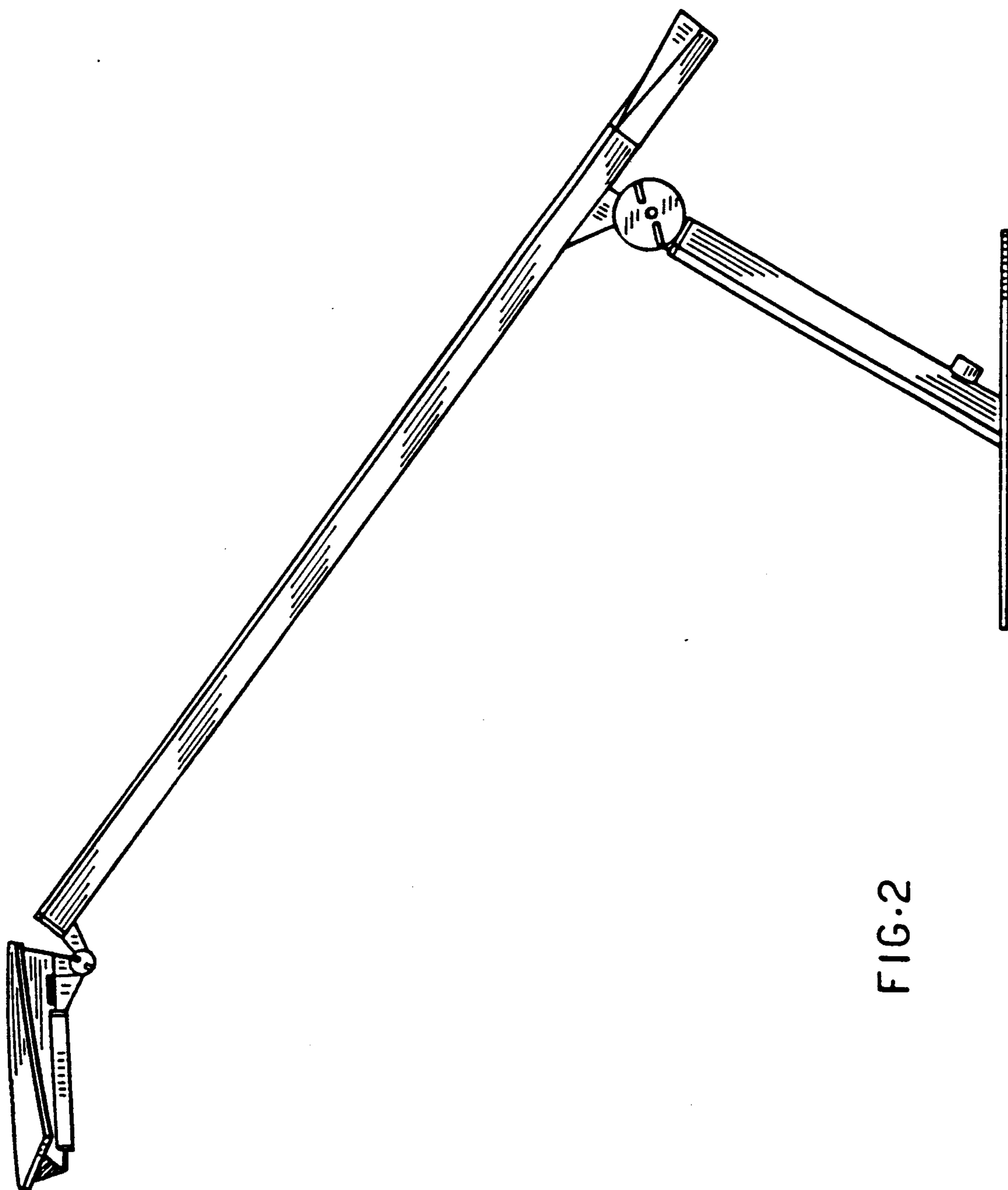


FIG. 2

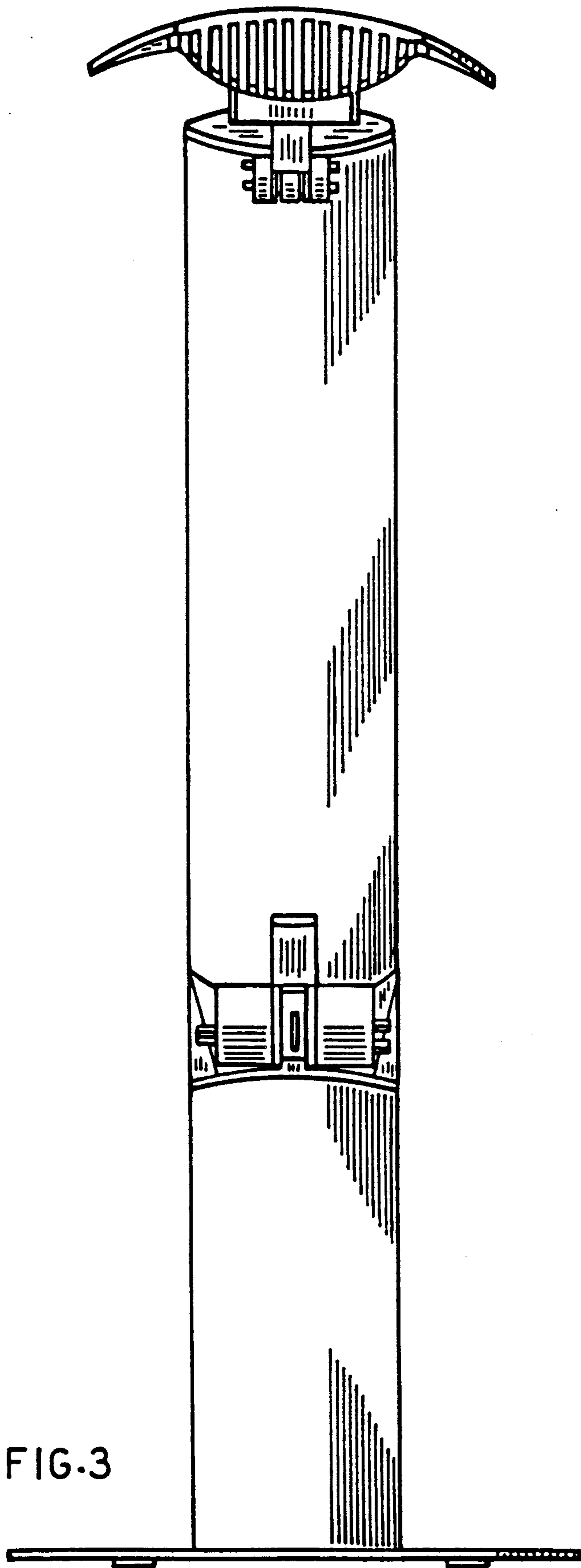
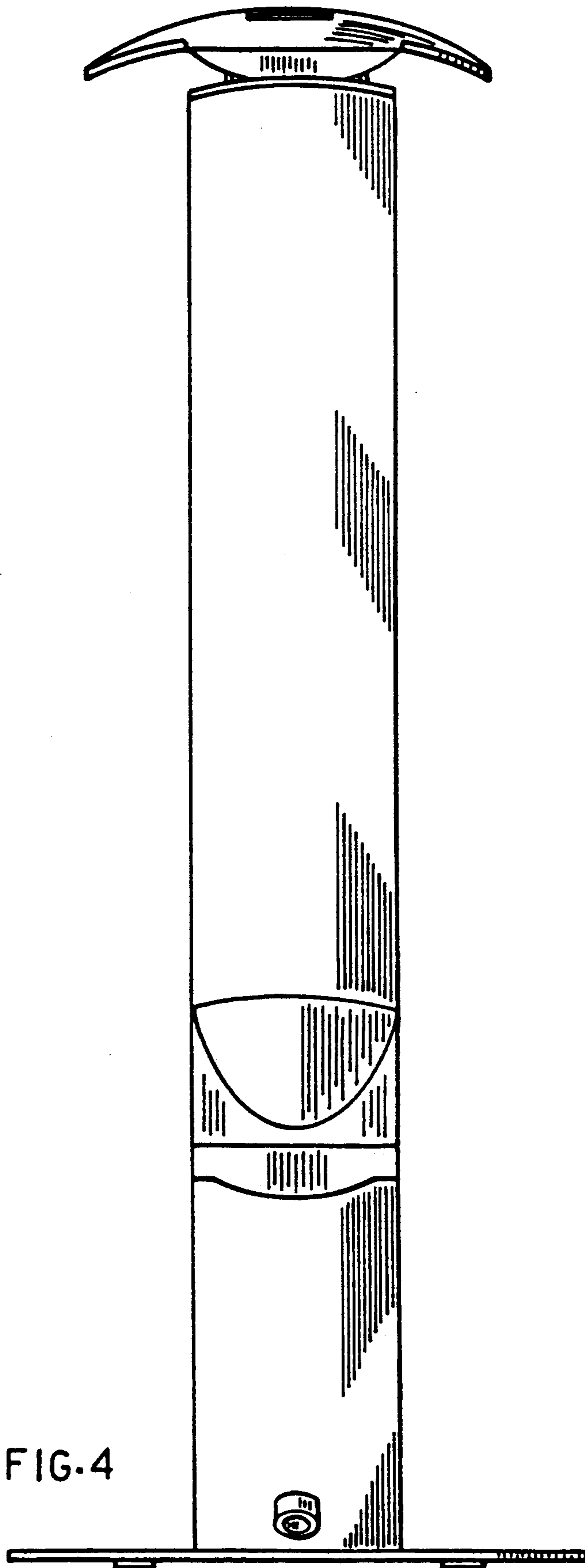


FIG. 3



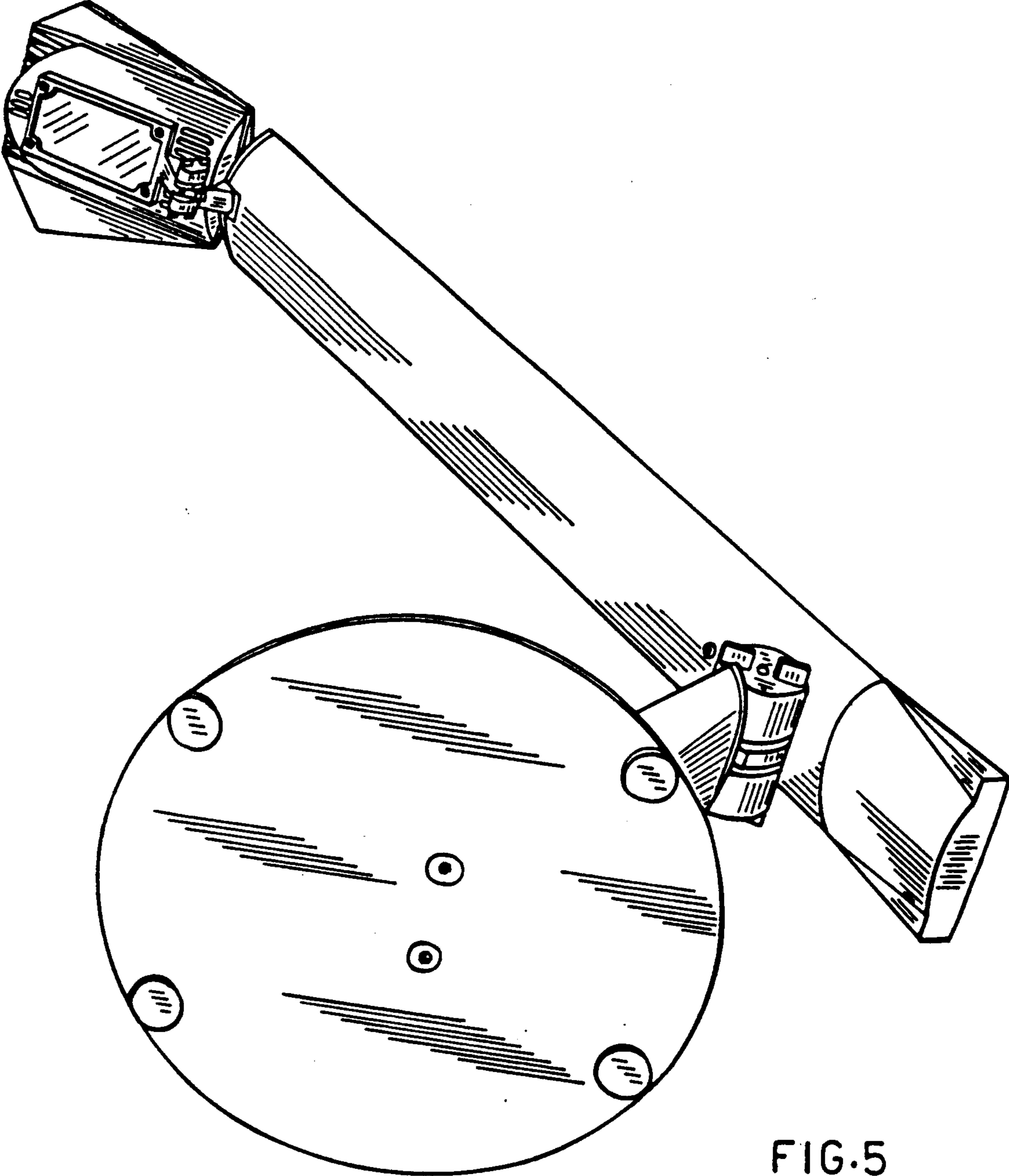


FIG.5

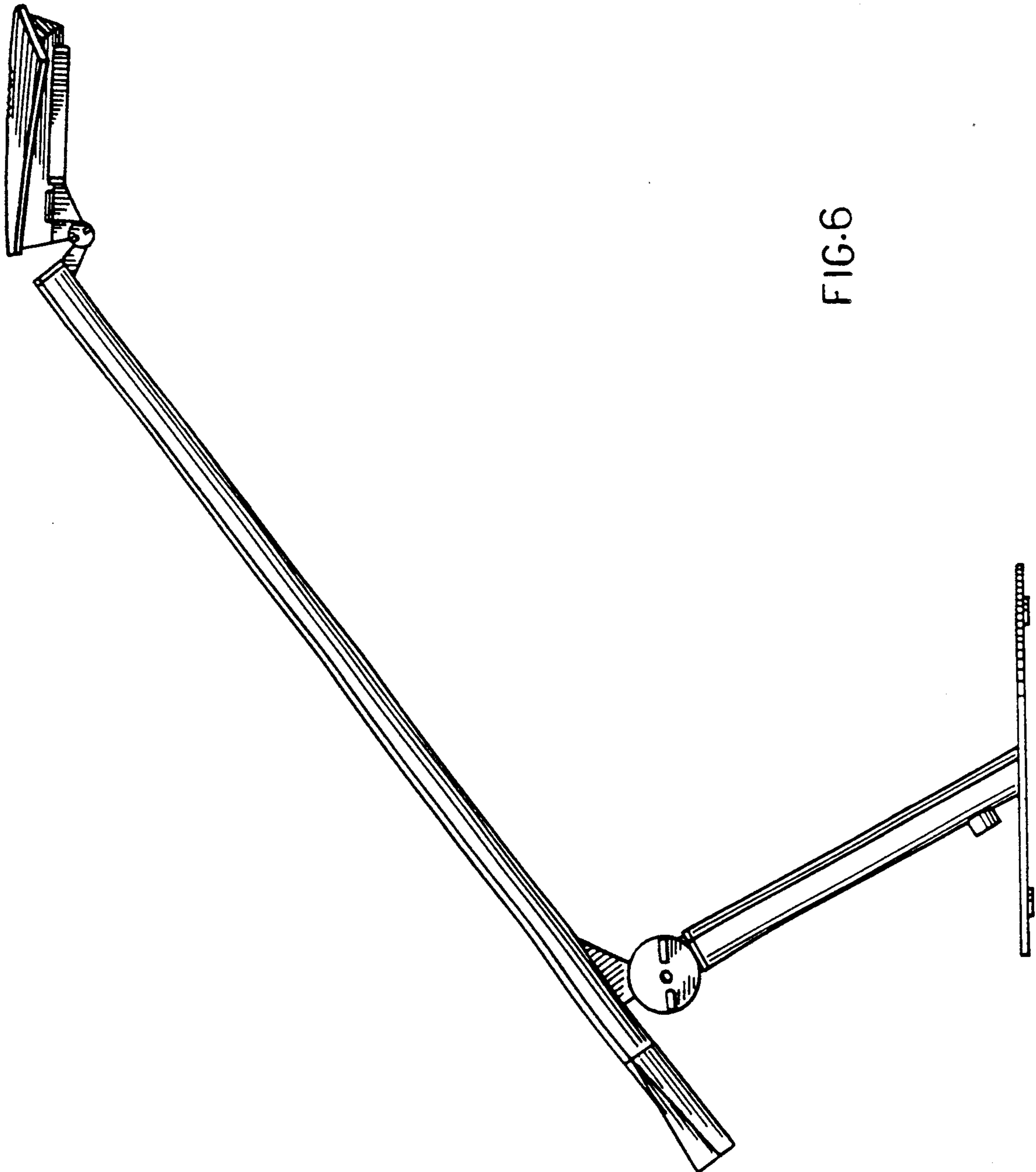


FIG.6