

[54] **WATERPROOF FLASHLIGHT**

[76] **Inventor: Alan K. Uke, 5980 Rancho Diegueno, P.O. Box 8531, Rancho Santa Fe, Calif. 92067**

[\*\*] **Term: 14 Years**

[21] **Appl. No.: 149,199**

[22] **Filed: Jan. 28, 1988**

[52] **U.S. Cl. .... D26/46**

[58] **Field of Search .... D26/37-50, D26/61-63; 362/157, 158, 191-208, 183-190**

[56] **References Cited**

**U.S. PATENT DOCUMENTS**

D. 229,089 11/1973 Boueker ..... D26/37

D. 296,477 6/1988 Powell et al. .... D26/46  
818,449 4/1906 Hubert ..... 362/200  
4,268,894 5/1981 Bartunek et al. .... 362/183 X

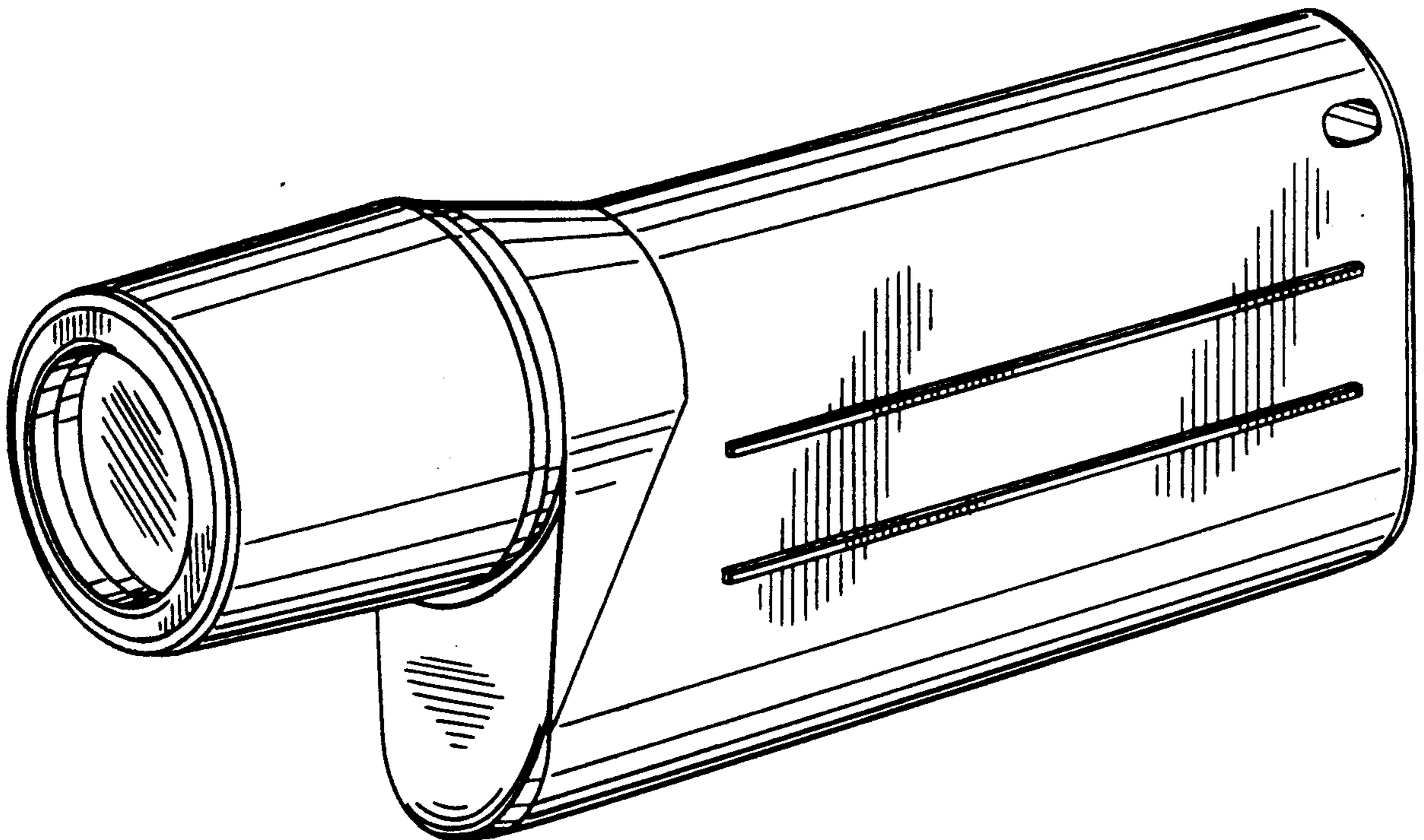
*Primary Examiner*—Susan J. Lucas  
*Assistant Examiner*—M. H. Tung  
*Attorney, Agent, or Firm*—Brown, Martin, Haller & McClain

[57] **CLAIM**

The ornamental design for a waterproof flashlight, as shown.

**DESCRIPTION**

FIG. 1 is a right top perspective view of a waterproof flashlight showing my new design; FIG. 2 is a left side elevational view thereof; FIG. 3 is a bottom plan view thereof; and FIG. 4 is a rear elevational view thereof.



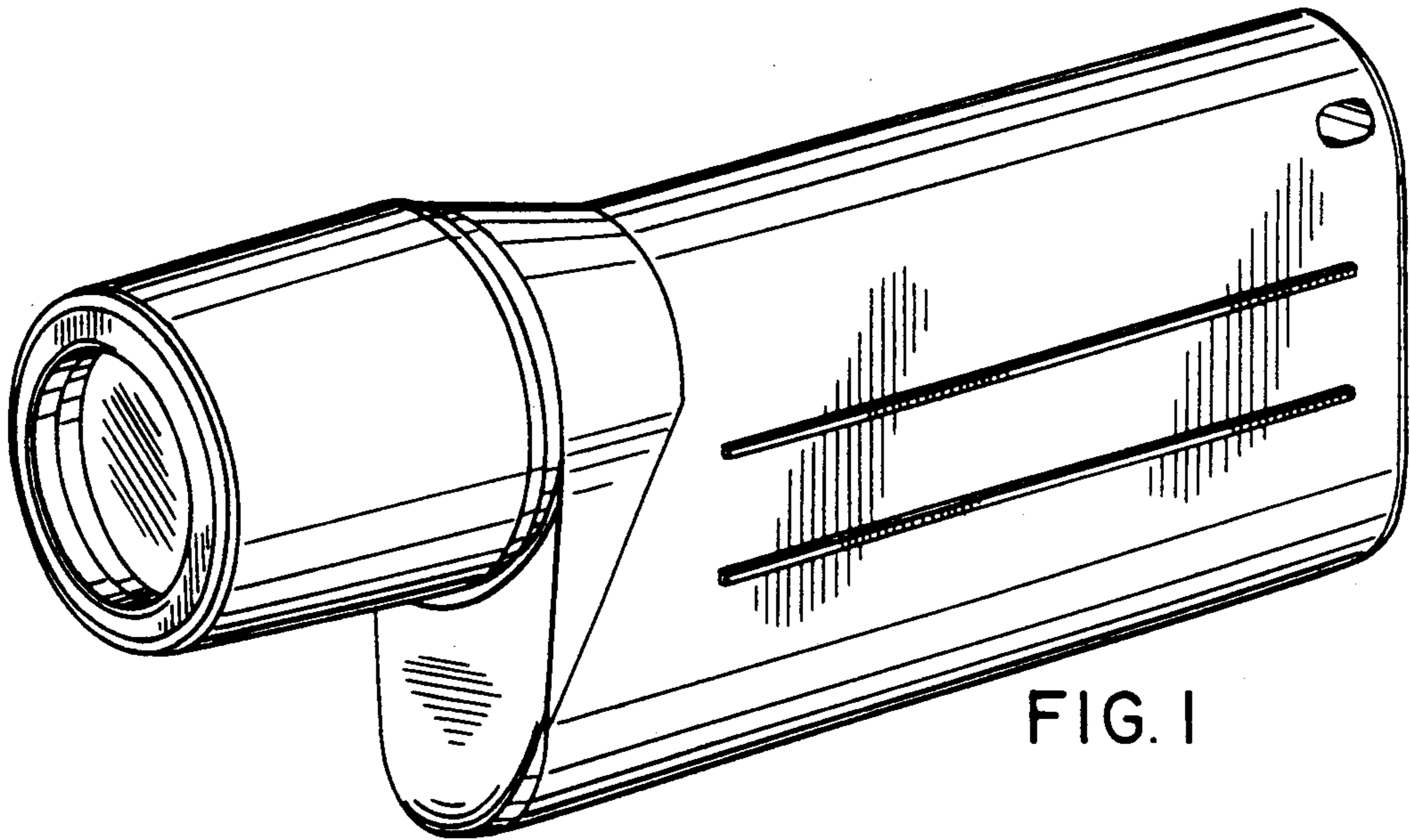


FIG. 1

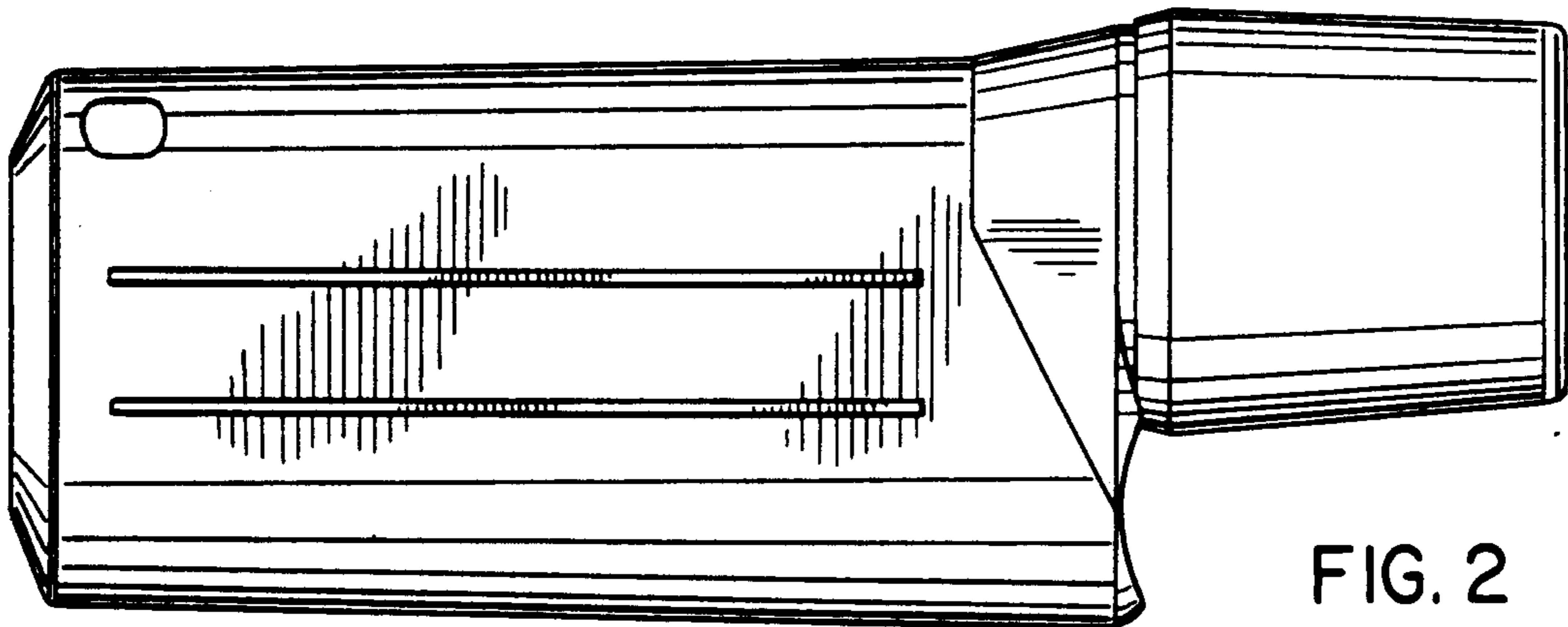


FIG. 2

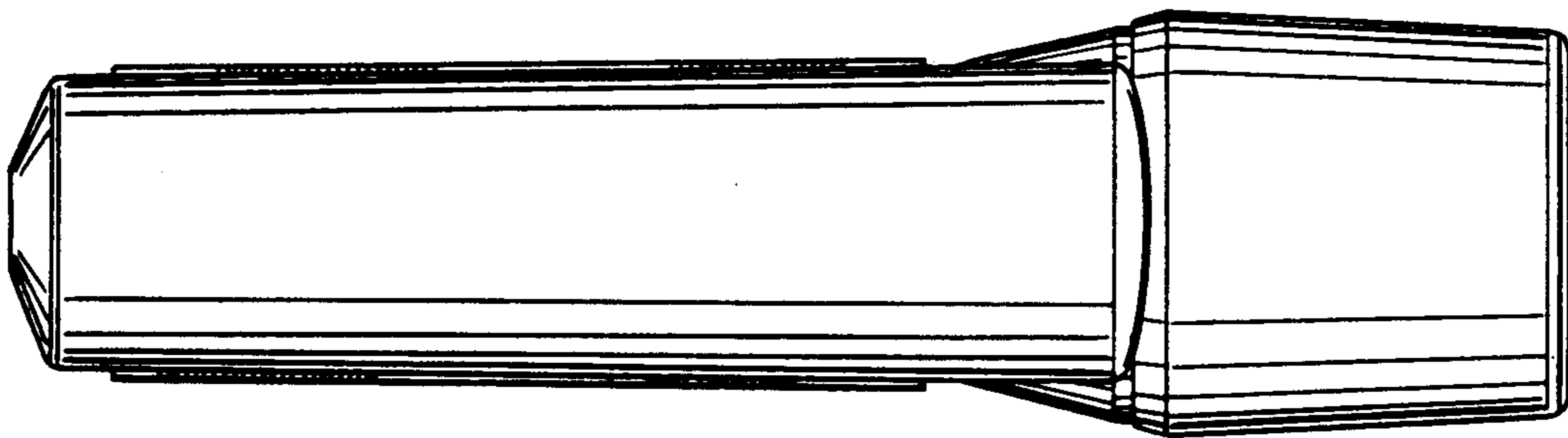


FIG. 3

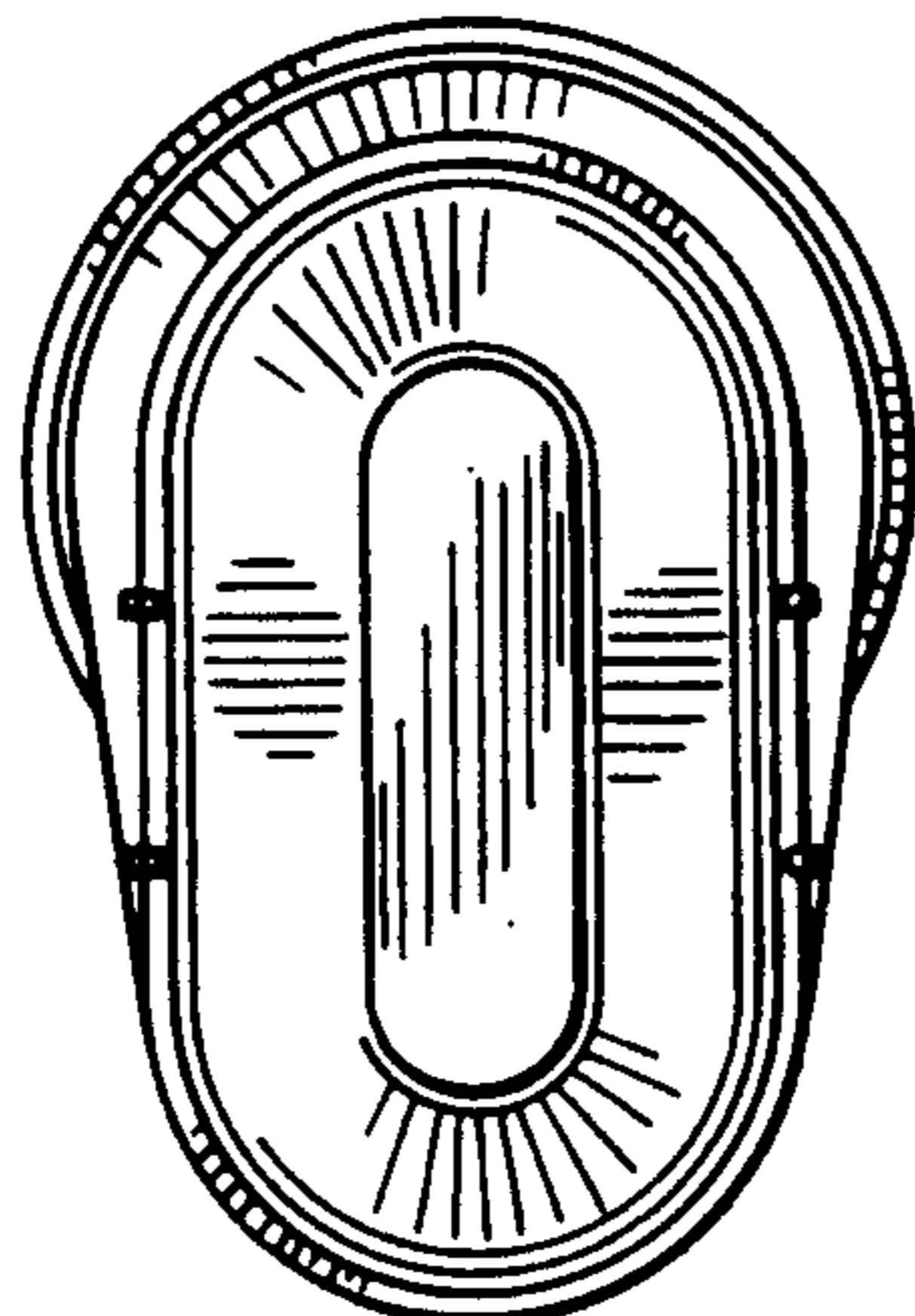


FIG. 4