

[54] OPERATING ROOM LIGHT FIXTURE

Attorney, Agent, or Firm—Frishauf, Holtz, Goodman & Woodward

[75] Inventor: Reinhard Luger, Offenbach, Fed. Rep. of Germany

[57] CLAIM

[73] Assignee: W. C. Heraeus GmbH, Hanau, Fed. Rep. of Germany

The ornamental design for an operating room light fixture, as shown and described.

[\*\*] Term: 14 Years

DESCRIPTION

[21] Appl. No.: 292,515

FIG. 1 is a perspective view of an operating room light fixture showing my new design with the arm broken away to indicate indeterminate length;

[22] Filed: Dec. 30, 1988

FIG. 2 is a top plan view thereof;

[30] Foreign Application Priority Data

FIG. 3 is a front elevational view thereof;

Jul. 1, 1988 [DE] Fed. Rep. of Germany ..... M8800016.8

FIG. 4 is a bottom plan view thereof;

Jul. 1, 1988 [DE] Fed. Rep. of Germany ..... M8800017.6

FIG. 5 is a right side elevational view thereof, with the opposite side being a mirror image;

Jul. 1, 1988 [DE] Fed. Rep. of Germany ..... M8800018.4

FIG. 6 is a rear elevational view thereof, with the arm rotated in a upward position;

[52] U.S. Cl. .... D26/24; D26/63

FIG. 7 is a perspective view of a second embodiment thereof;

[58] Field of Search ..... D26/24, 61, 63, 65, D26/72; 362/33, 267, 418, 804; 128/23

FIG. 8 is a top plan view thereof;

FIG. 9 is a front elevational view thereof;

FIG. 10 is a bottom plan view thereof;

FIG. 11 is a right side elevational view thereof, with the opposite side being a mirror image;

[56] References Cited

U.S. PATENT DOCUMENTS

D. 278,937	5/1985	Peeler et al. ....	D26/24
D. 279,611	7/1985	Peeler et al. ....	D26/24
D. 301,627	6/1989	Sestak .....	D26/24
4,517,632	5/1985	Roos .....	362/804
4,538,214	8/1985	Fisher et al. ....	362/804
4,803,607	2/1989	Jönsson .....	362/804

FIG. 12 is a rear elevational view thereof, with the arm rotated in a upward position;

FIG. 13 is a perspective view of a third embodiment thereof;

FIG. 14 is a top plan view thereof;

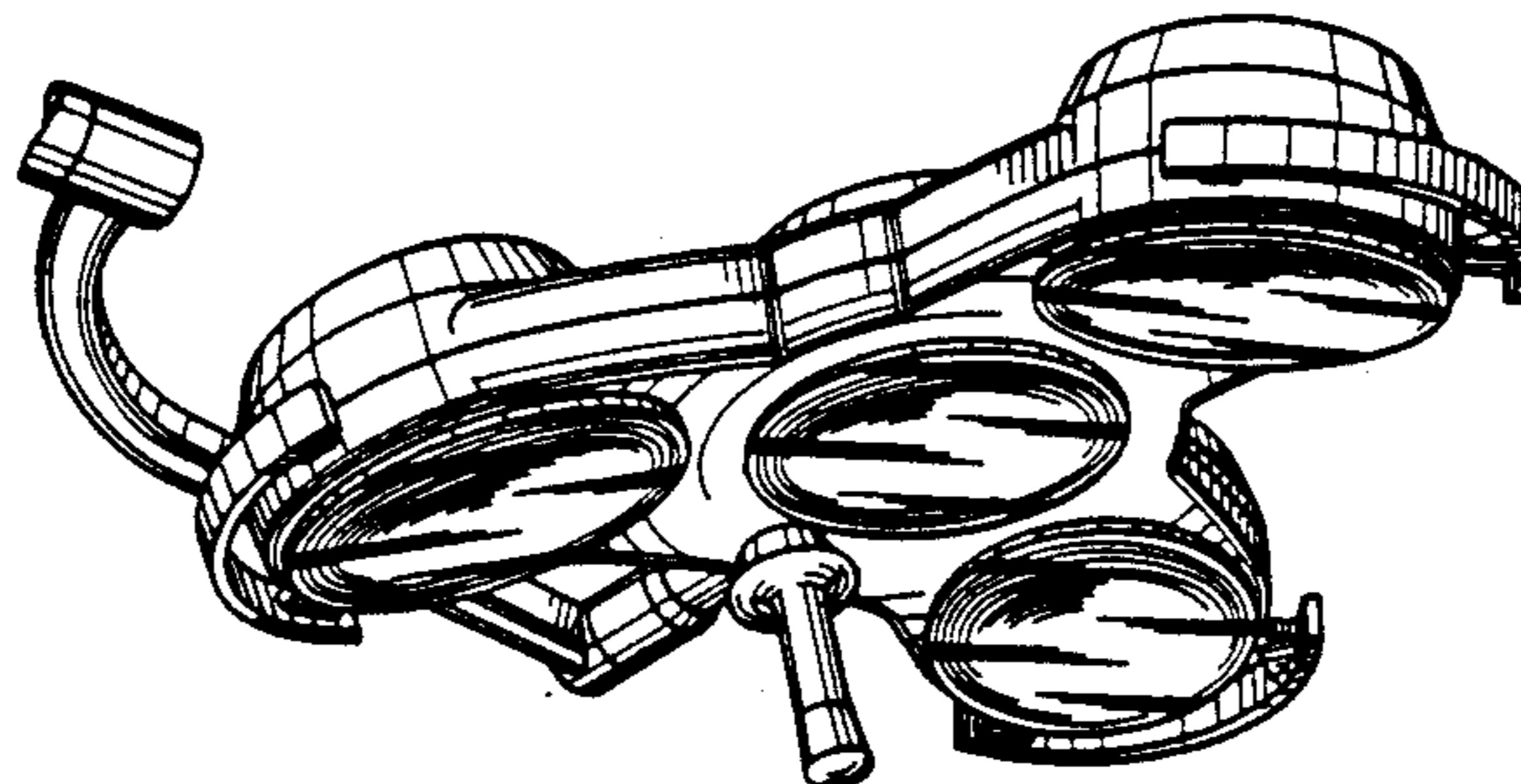
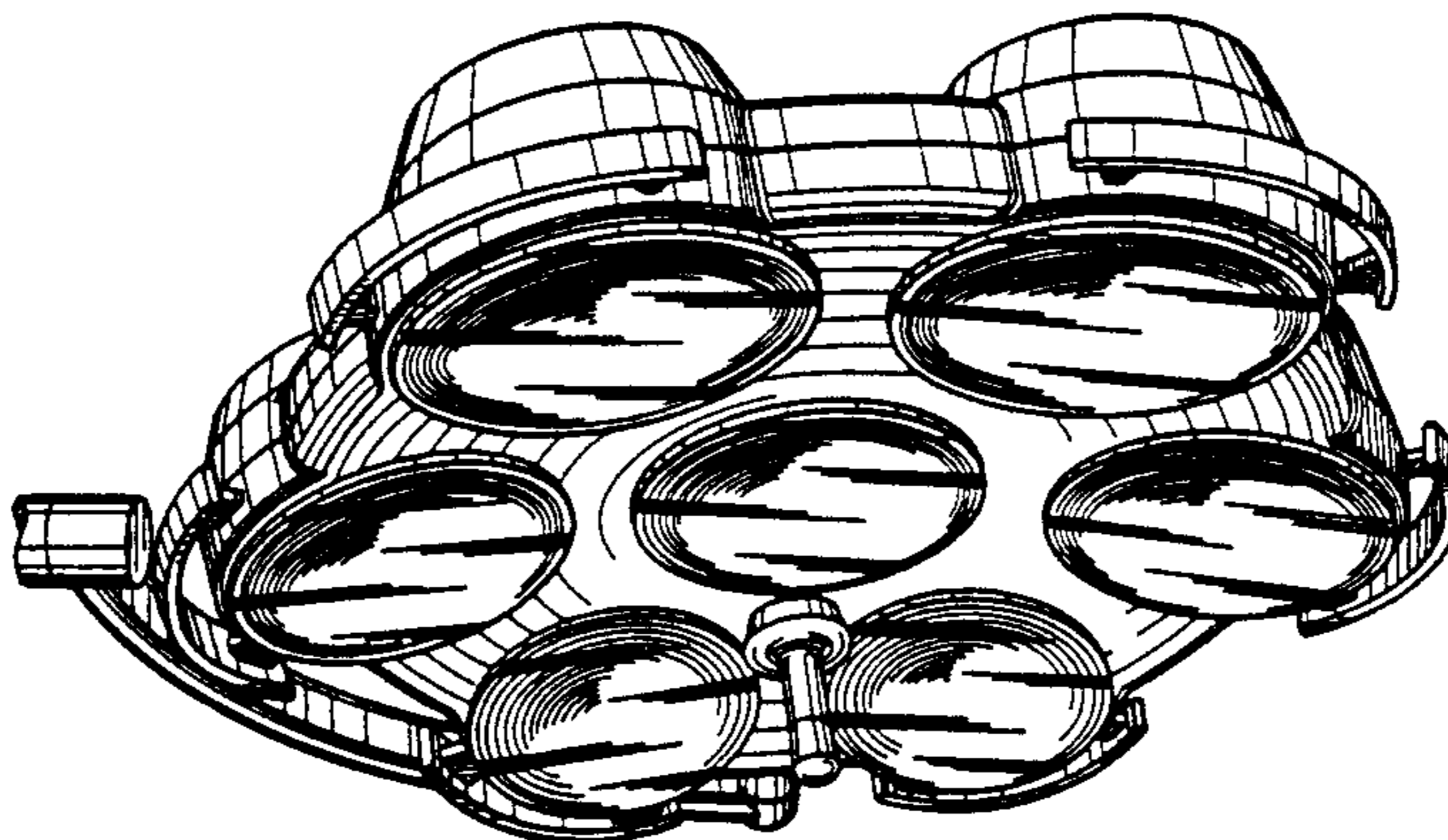
FIG. 15 is a front elevational view thereof;

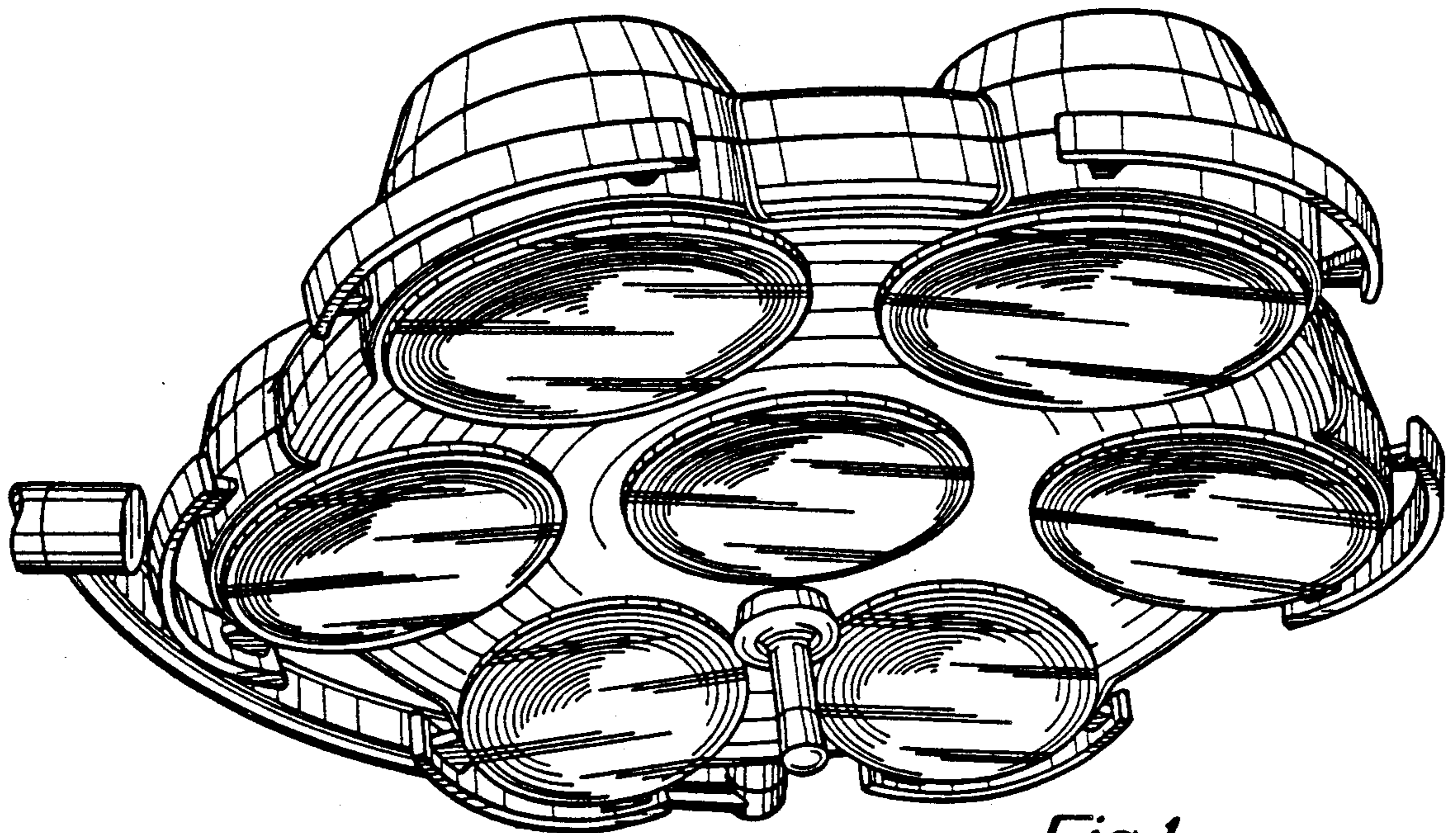
FIG. 16 is a bottom plan view thereof;

FIG. 17 is a right side elevational view thereof, with the opposite side being a mirror image;

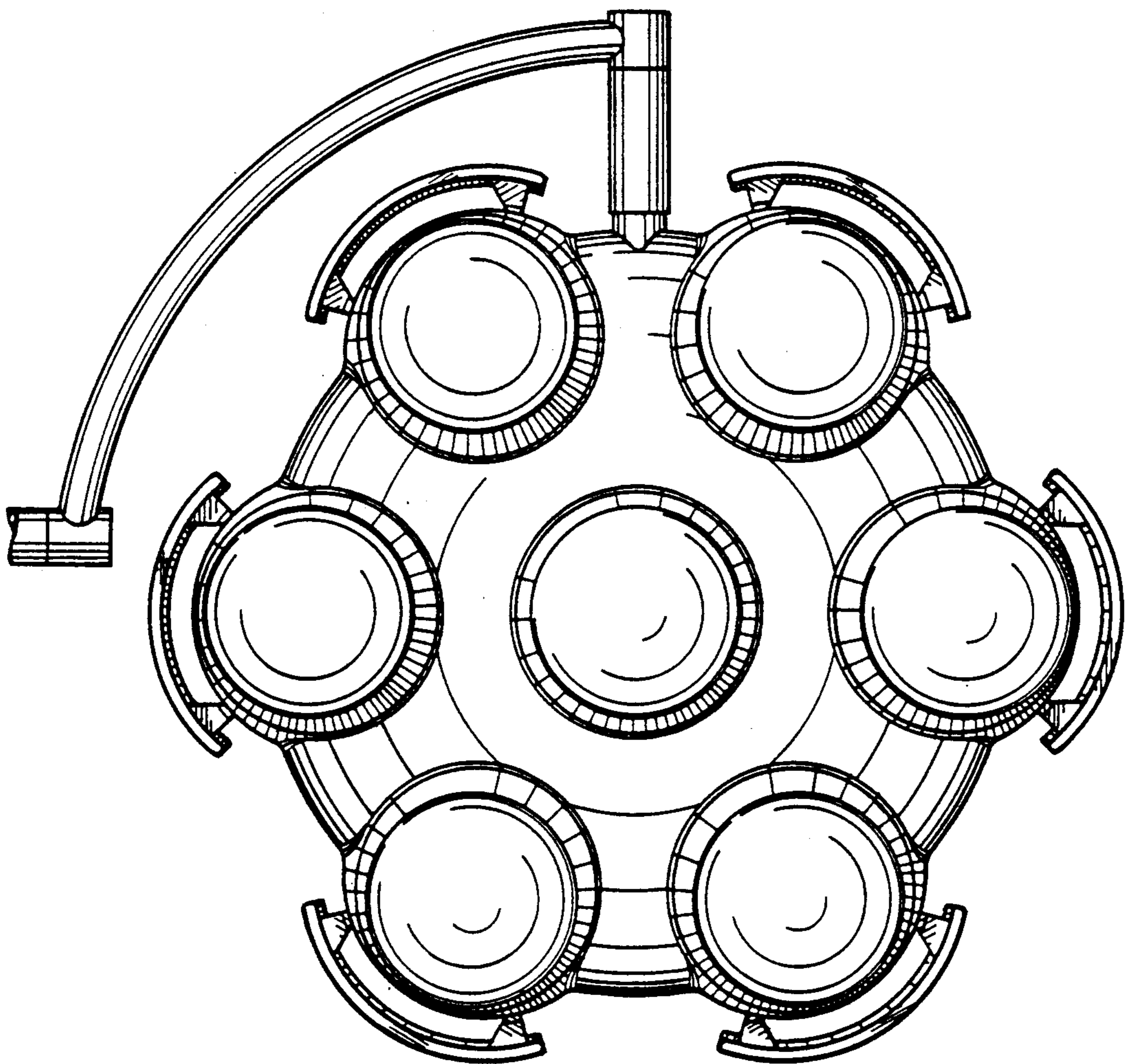
FIG. 18 is a rear elevational view thereof, with the arm rotated in an upward position.

Primary Examiner—Wallace R. Burke  
Assistant Examiner—Marcus Jackson

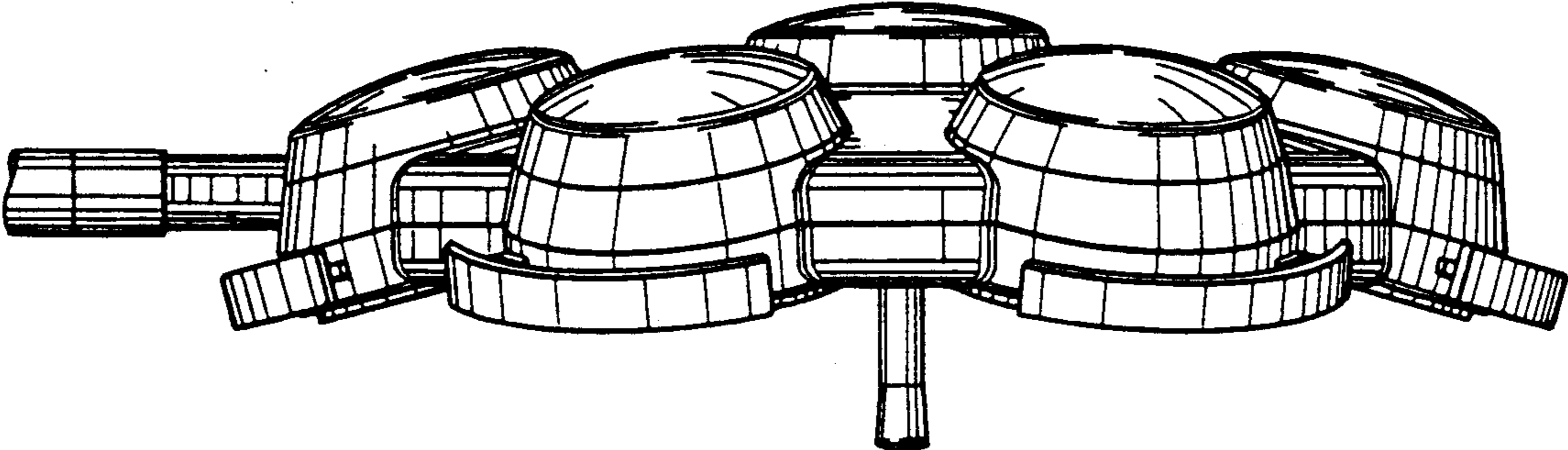




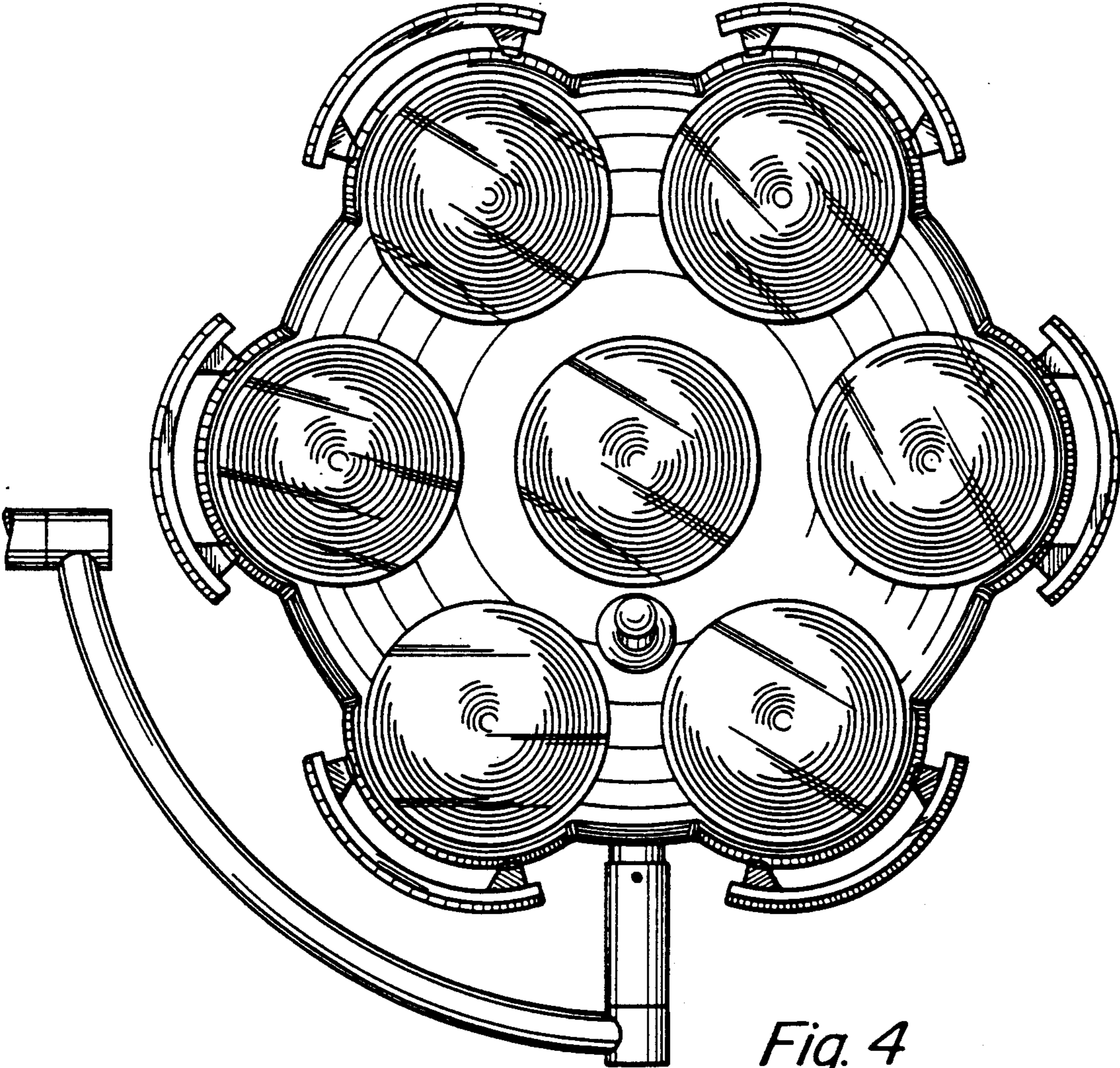
*Fig. 1*



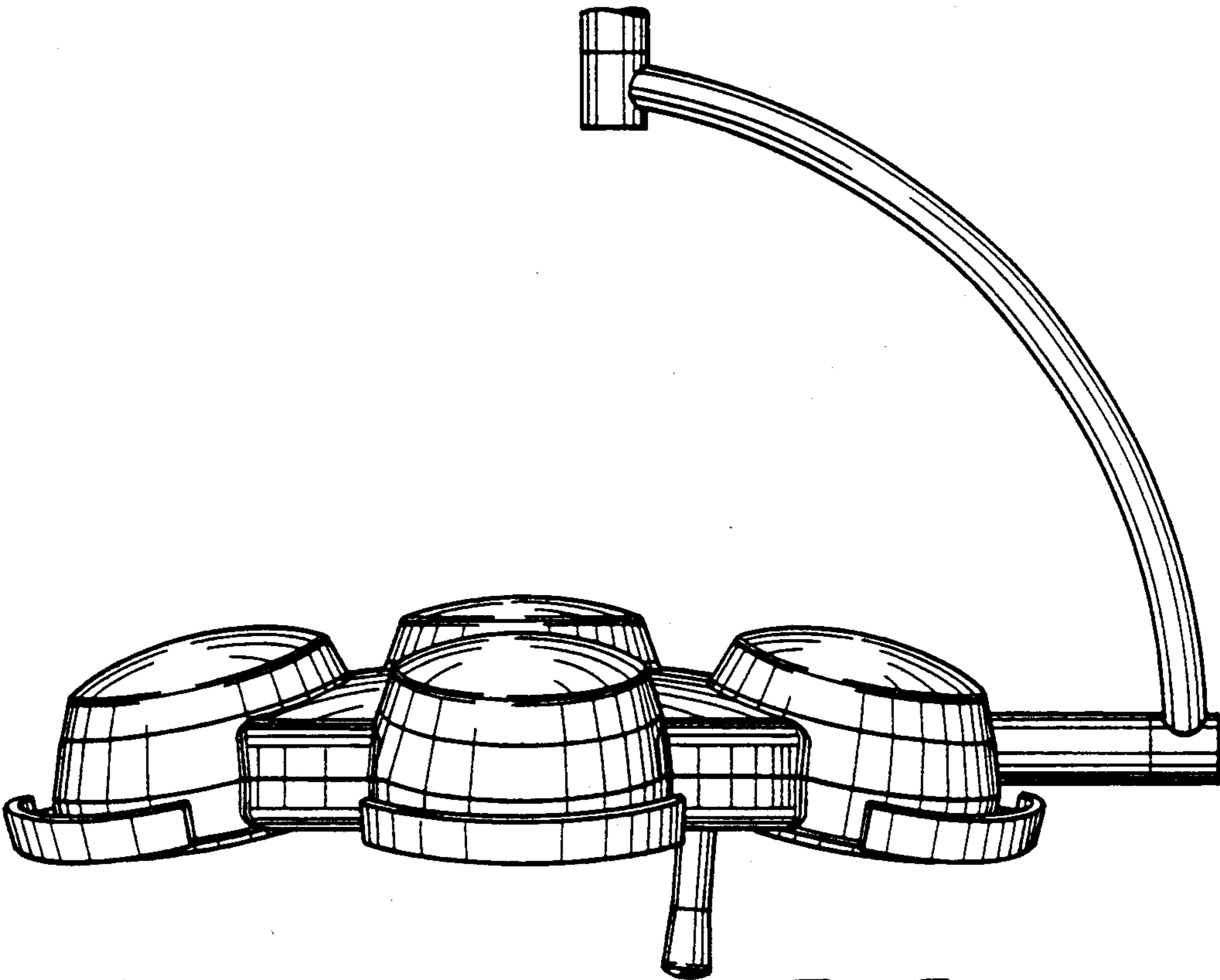
*Fig. 2*



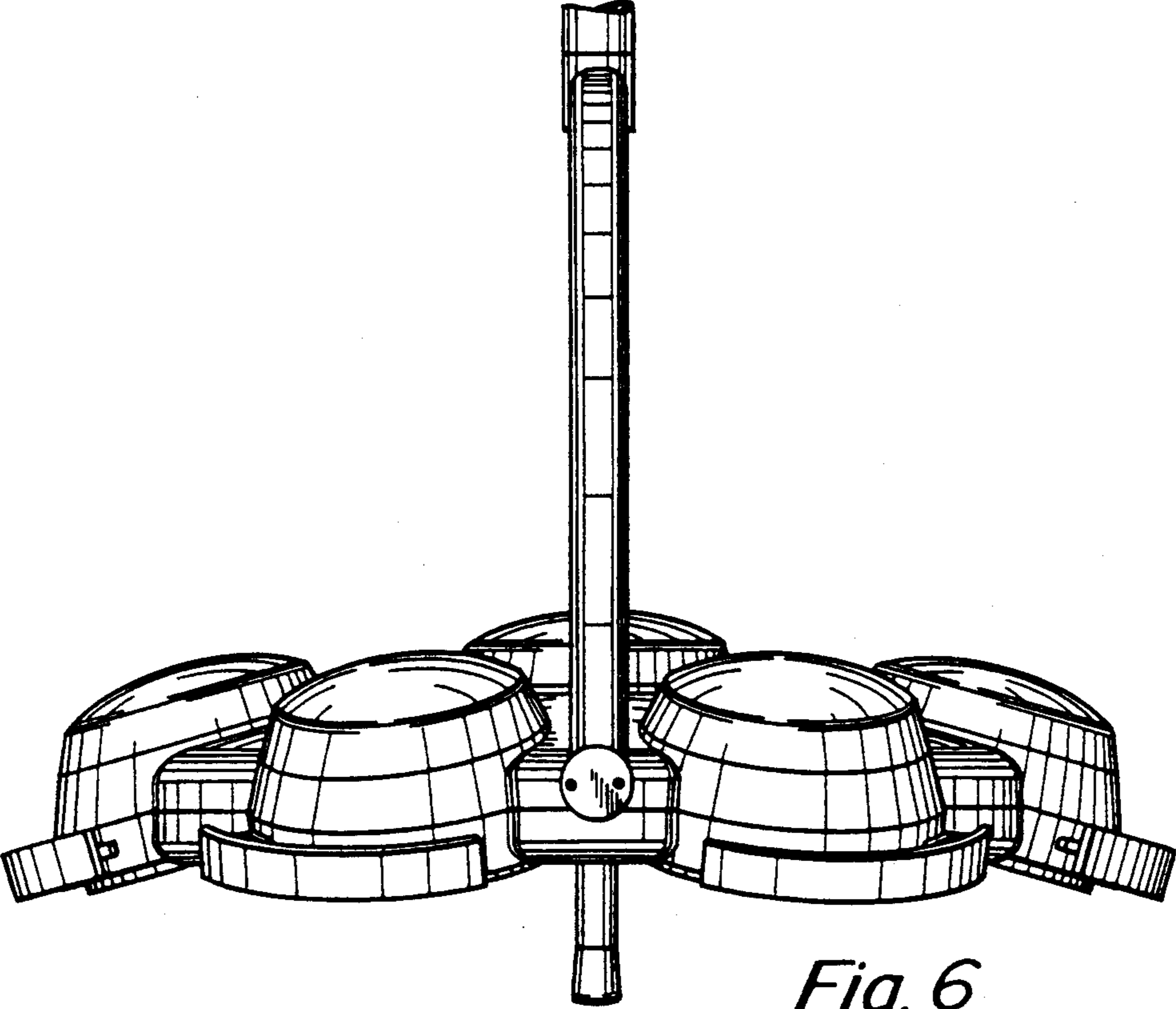
*Fig. 3*



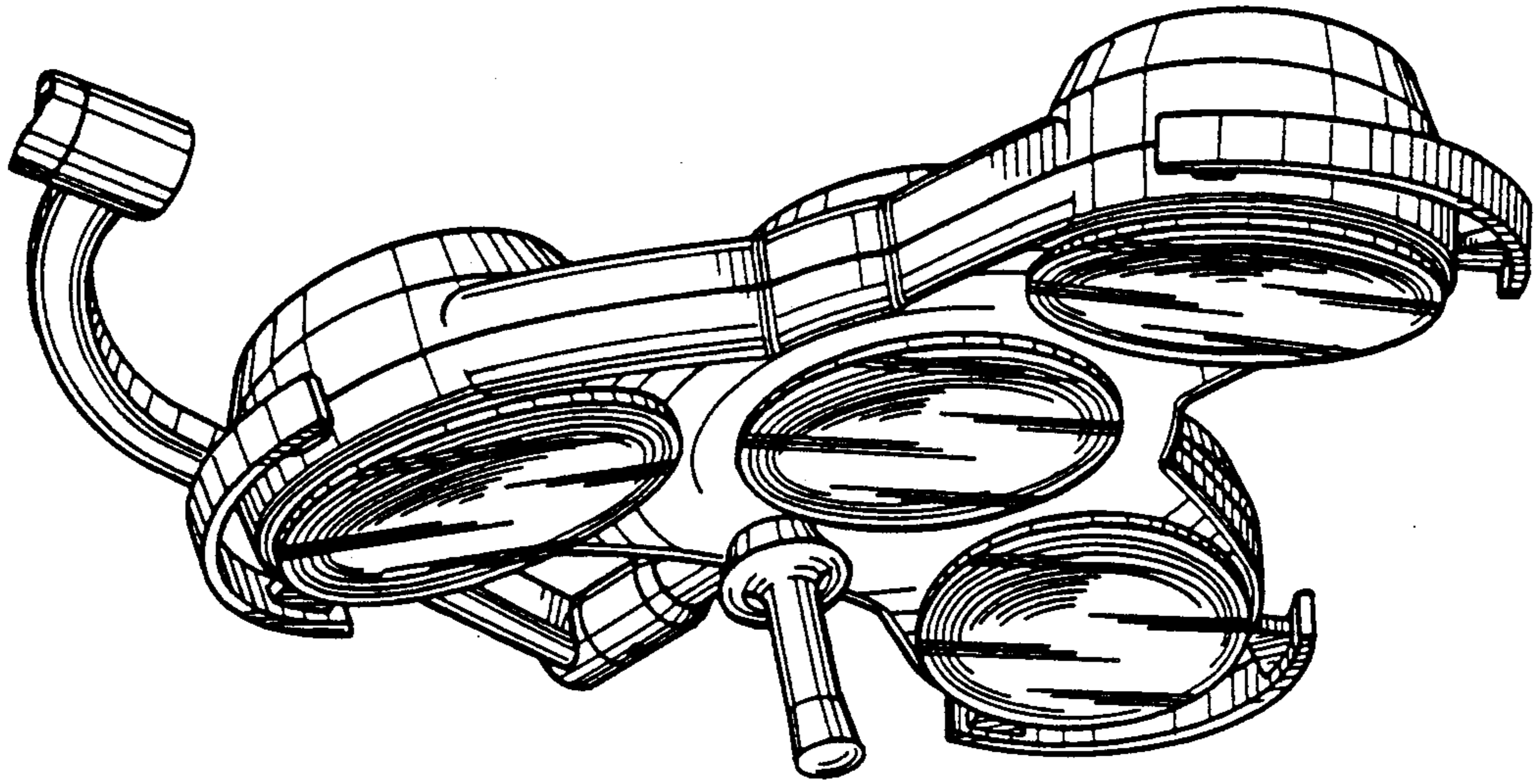
*Fig. 4*



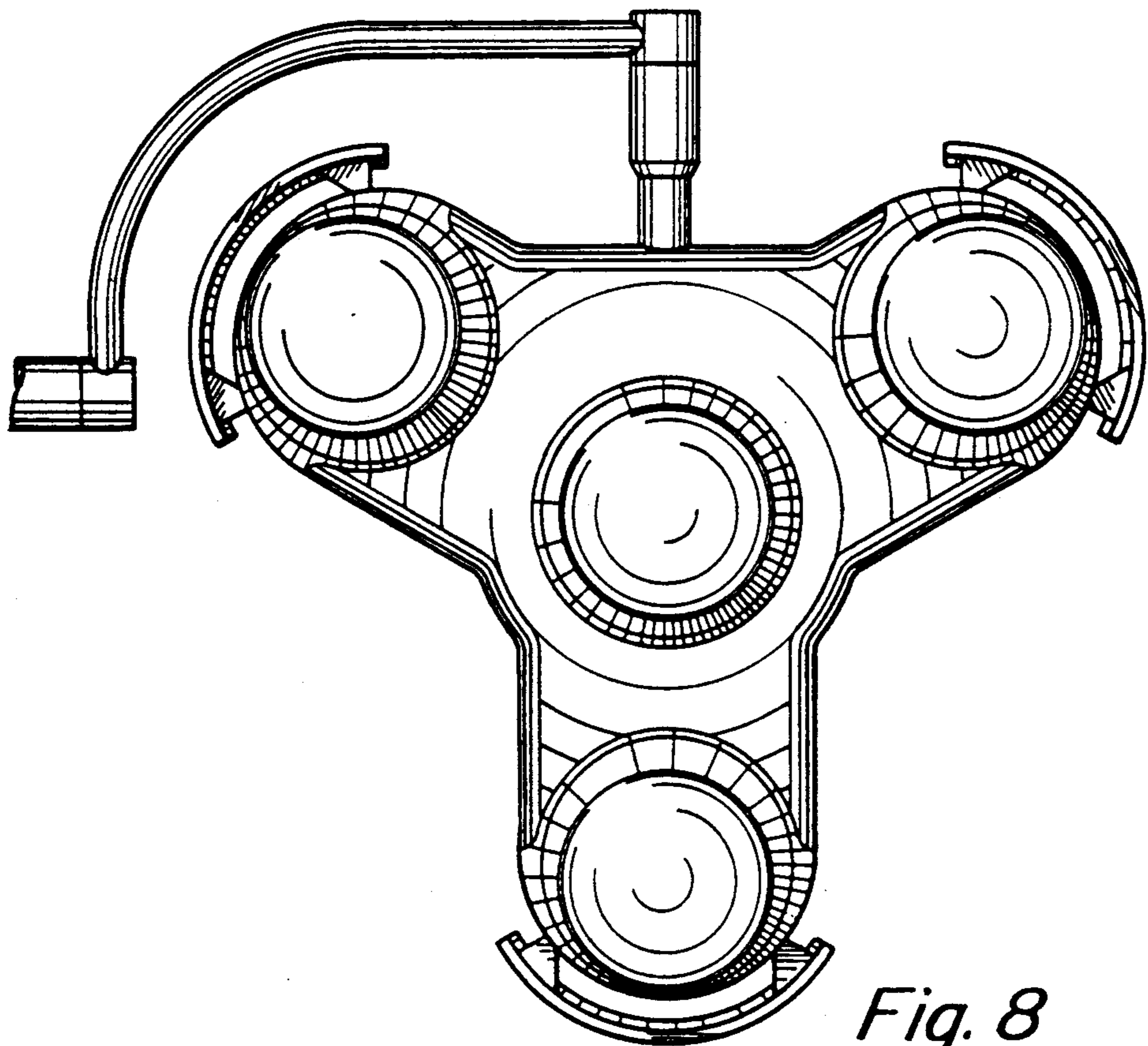
*Fig. 5*



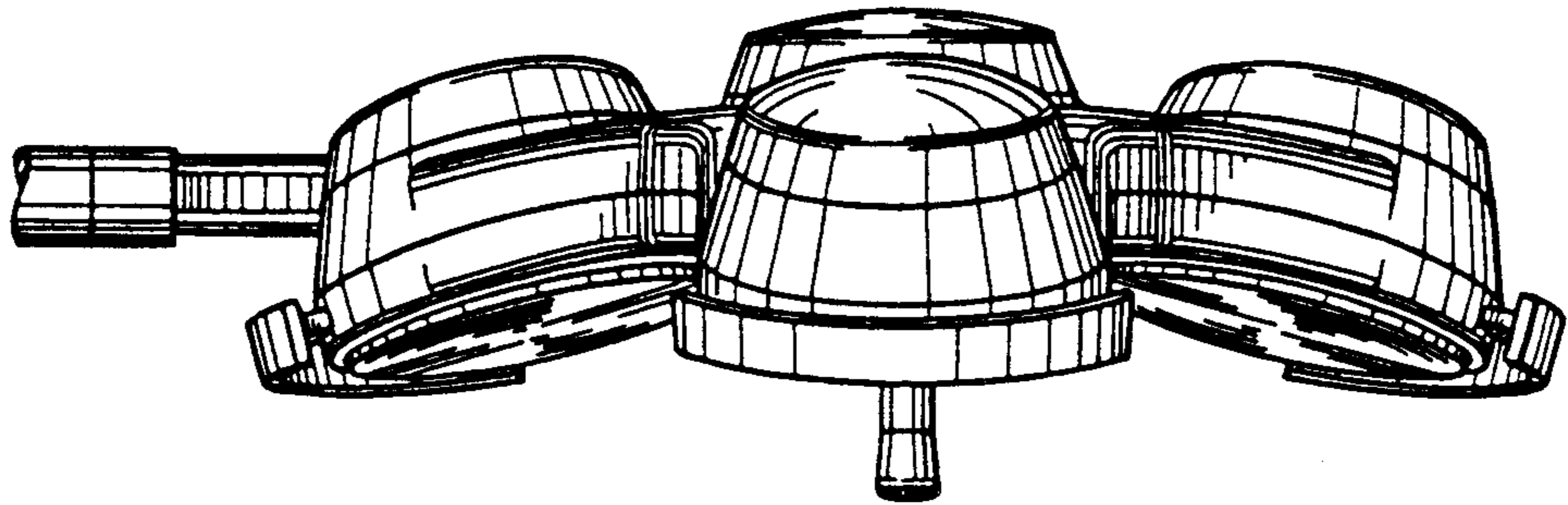
*Fig. 6*



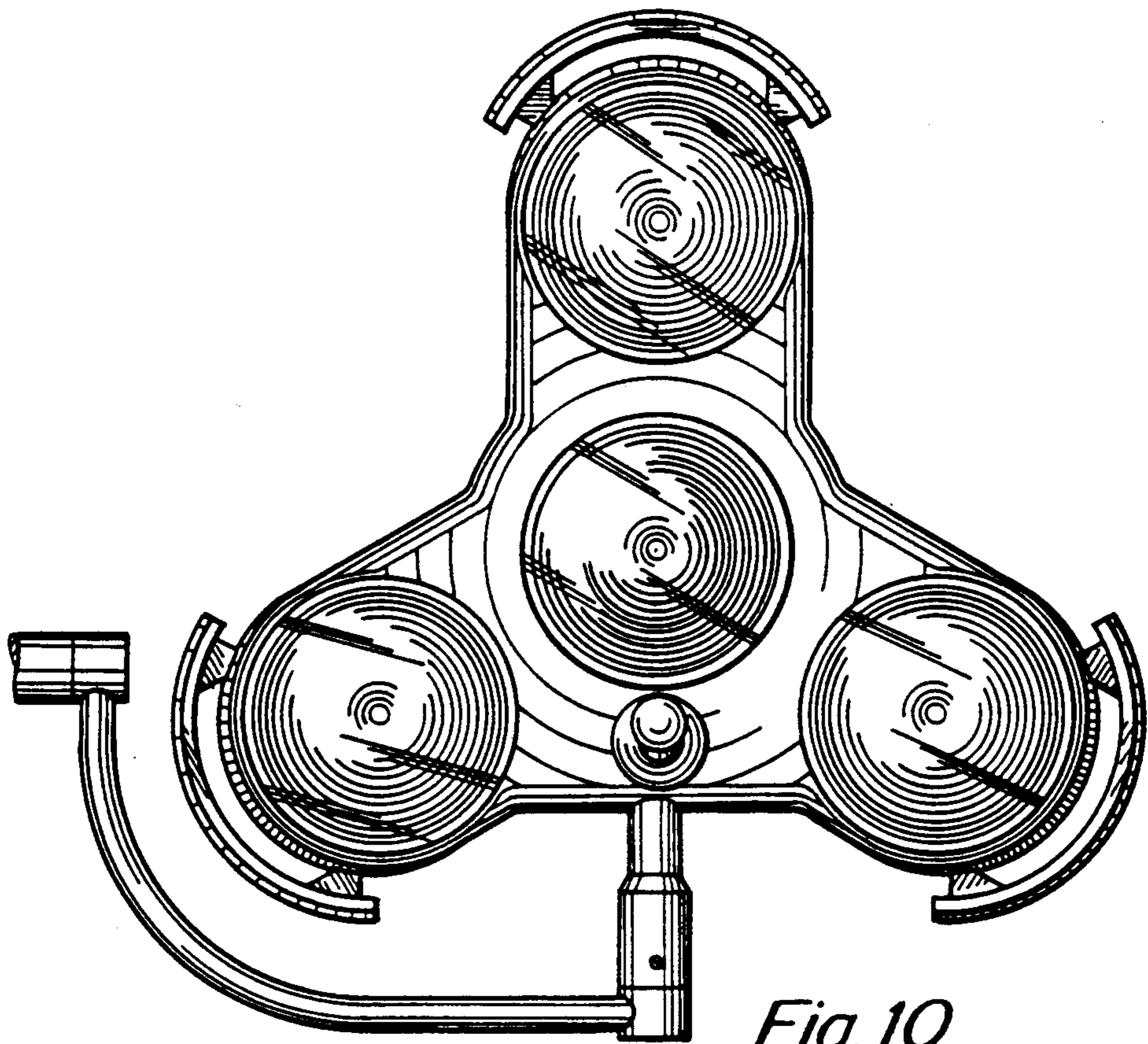
*Fig. 7*



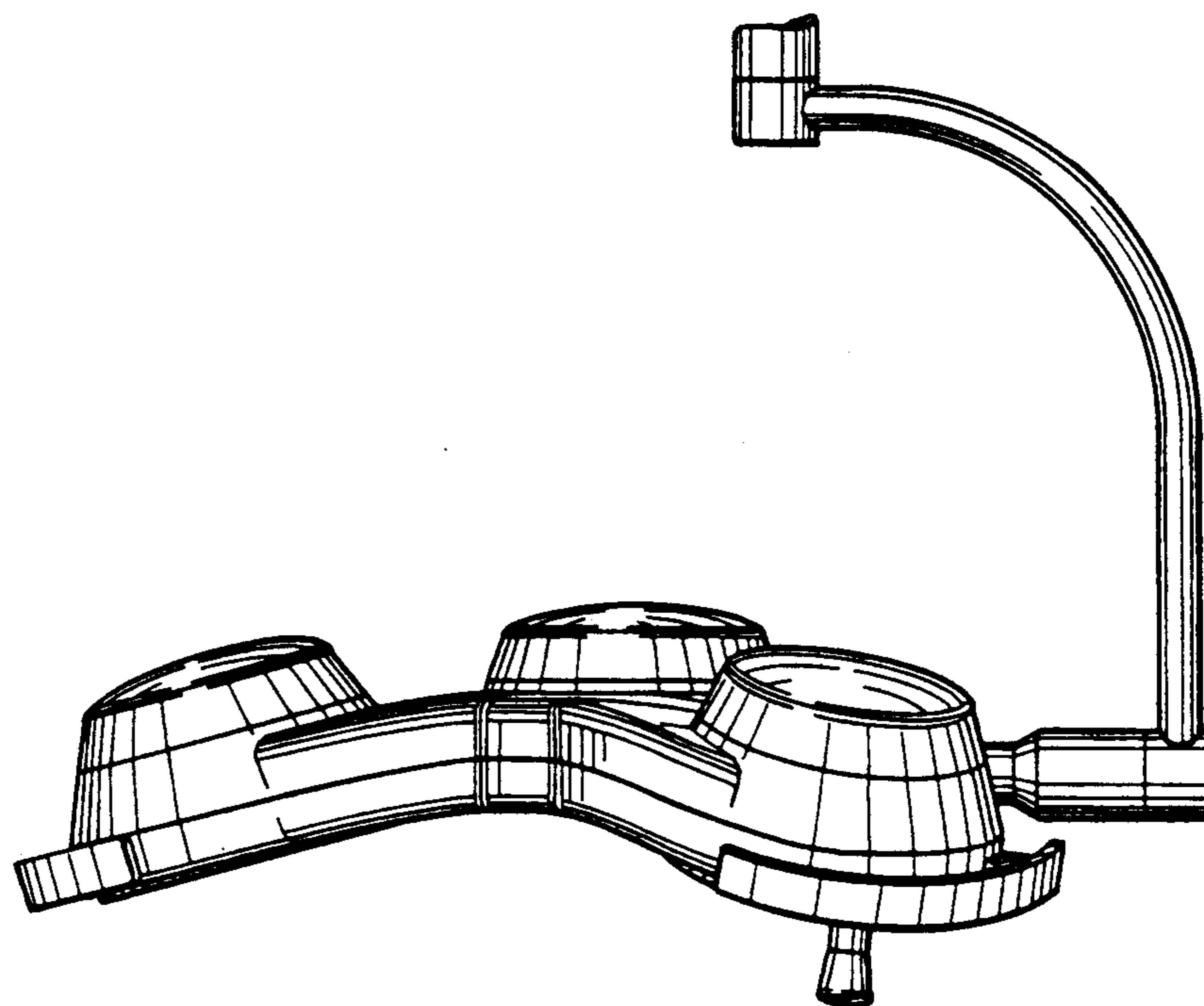
*Fig. 8*



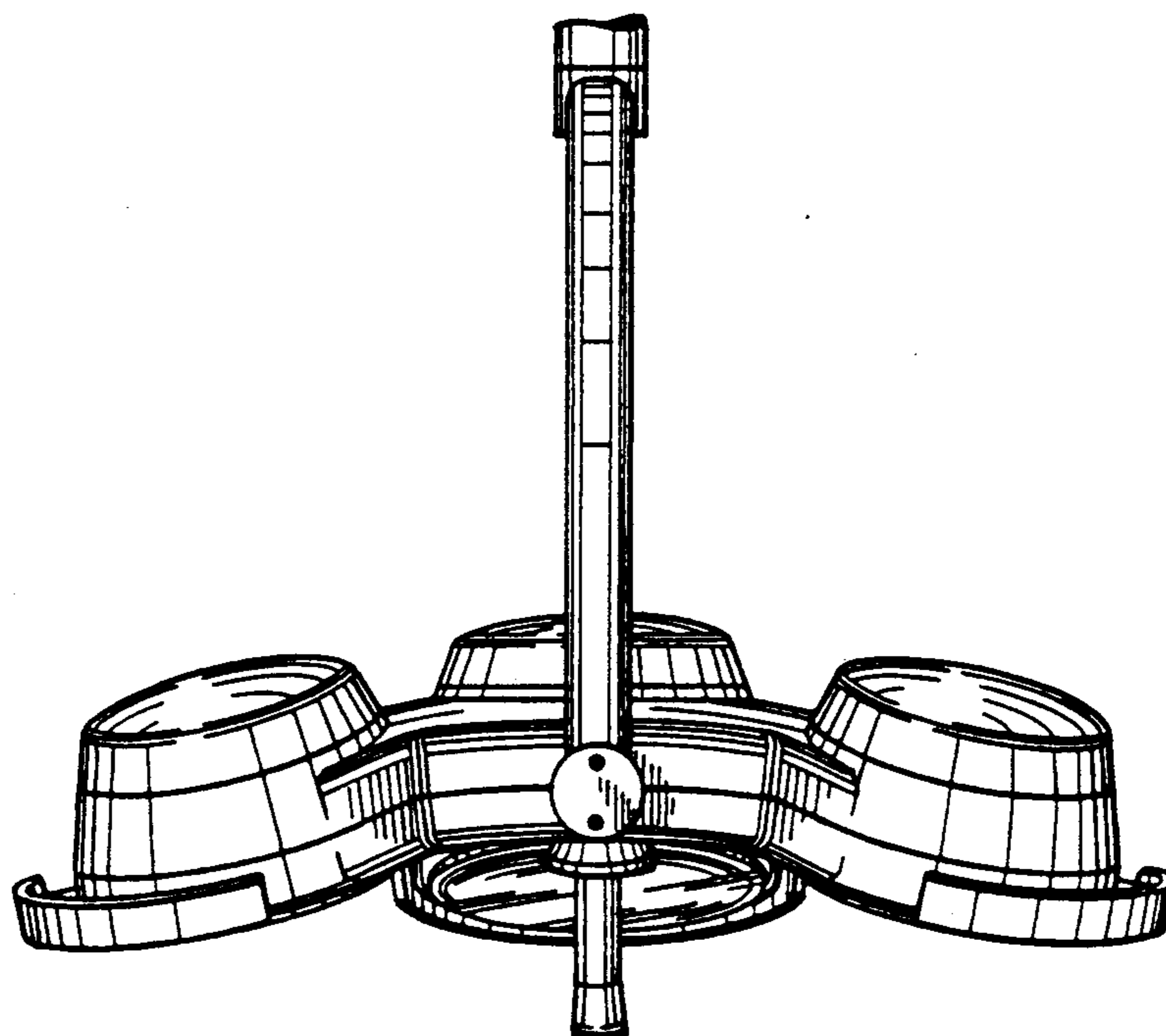
*Fig. 9*



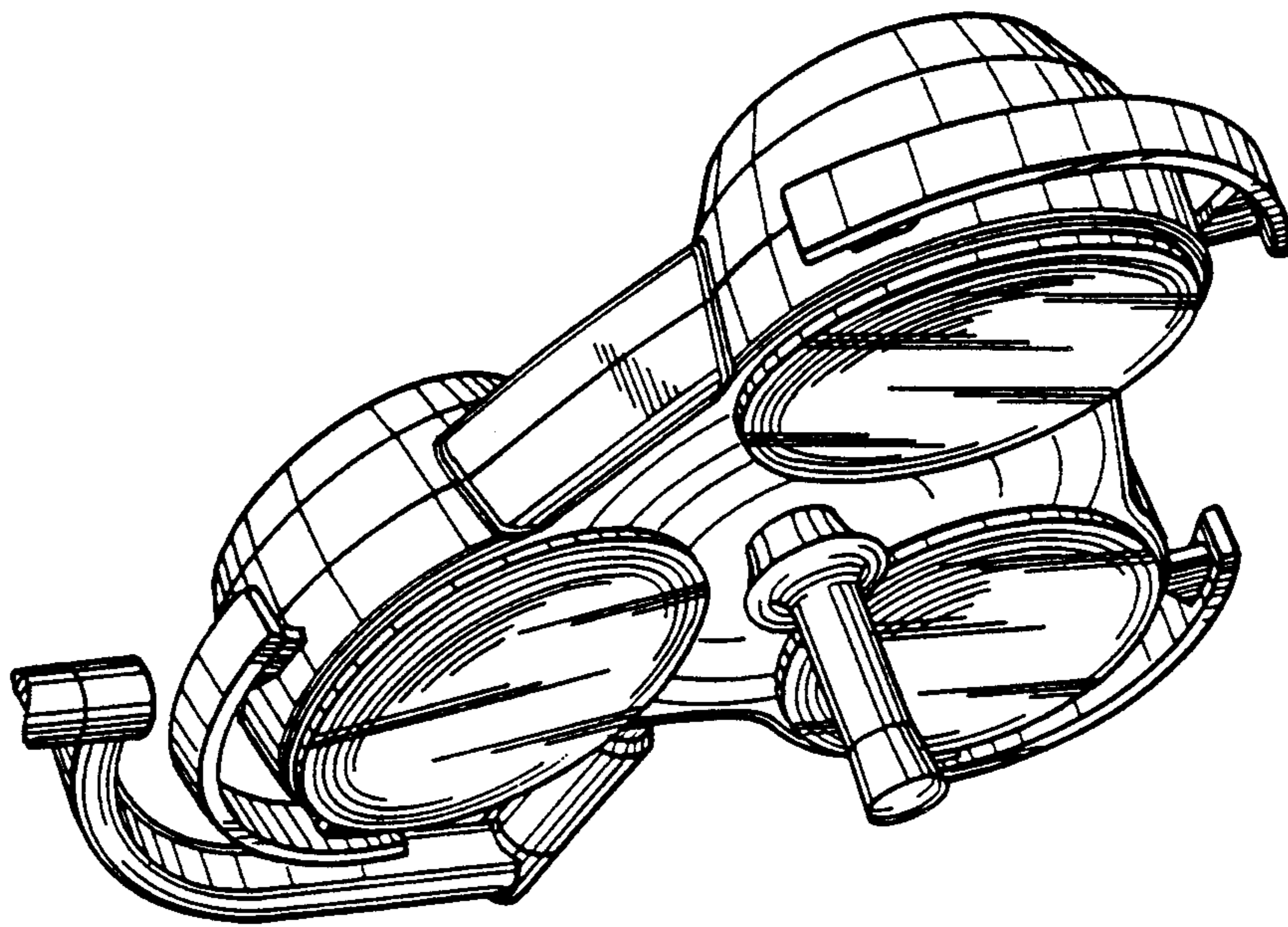
*Fig. 10*



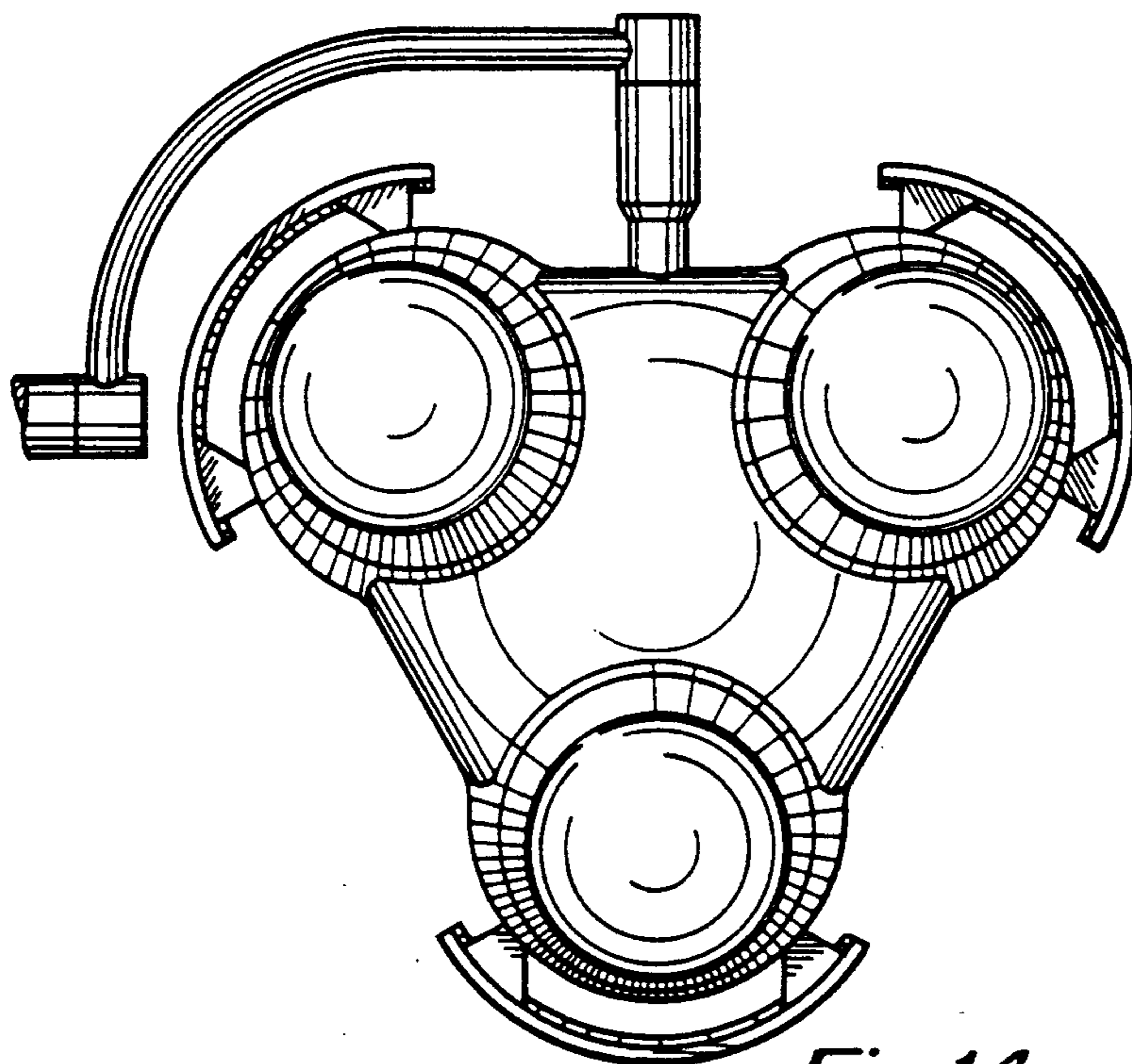
*Fig. 11*



*Fig. 12*

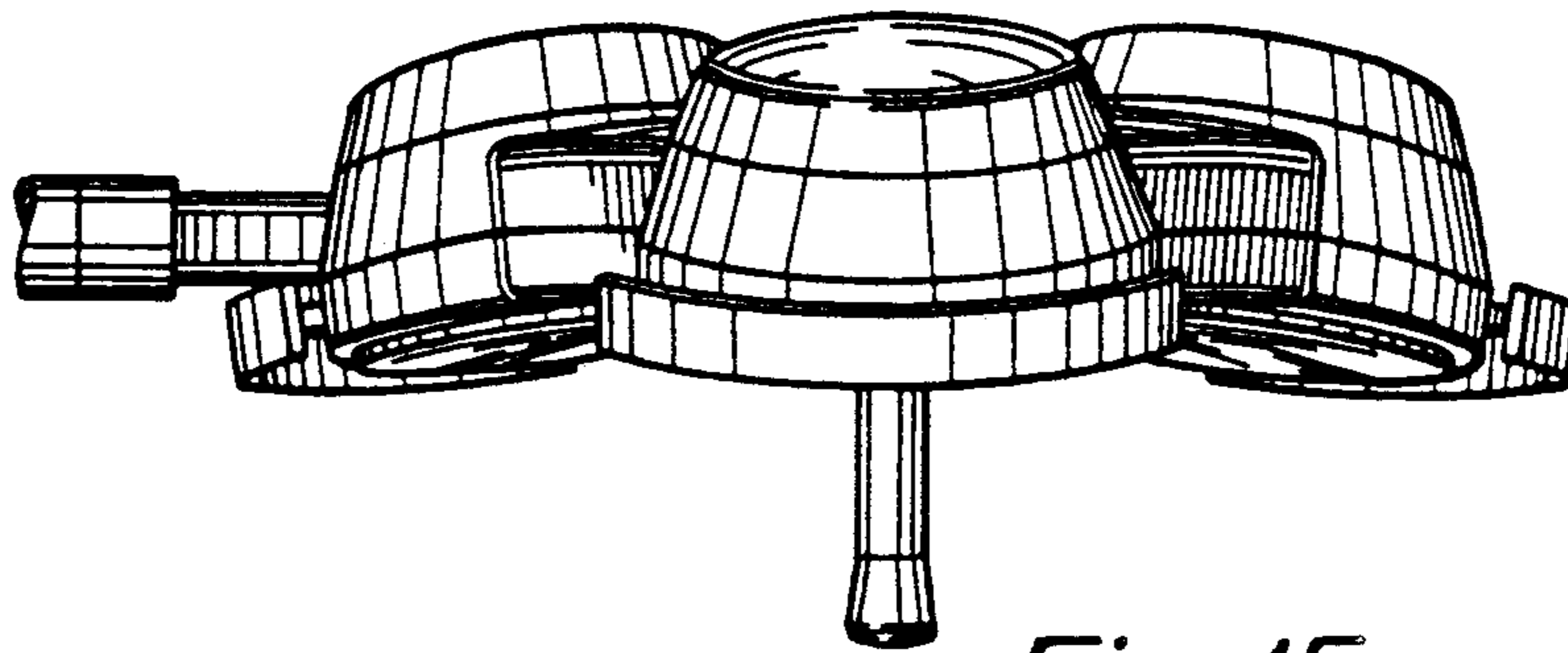


*Fig. 13*

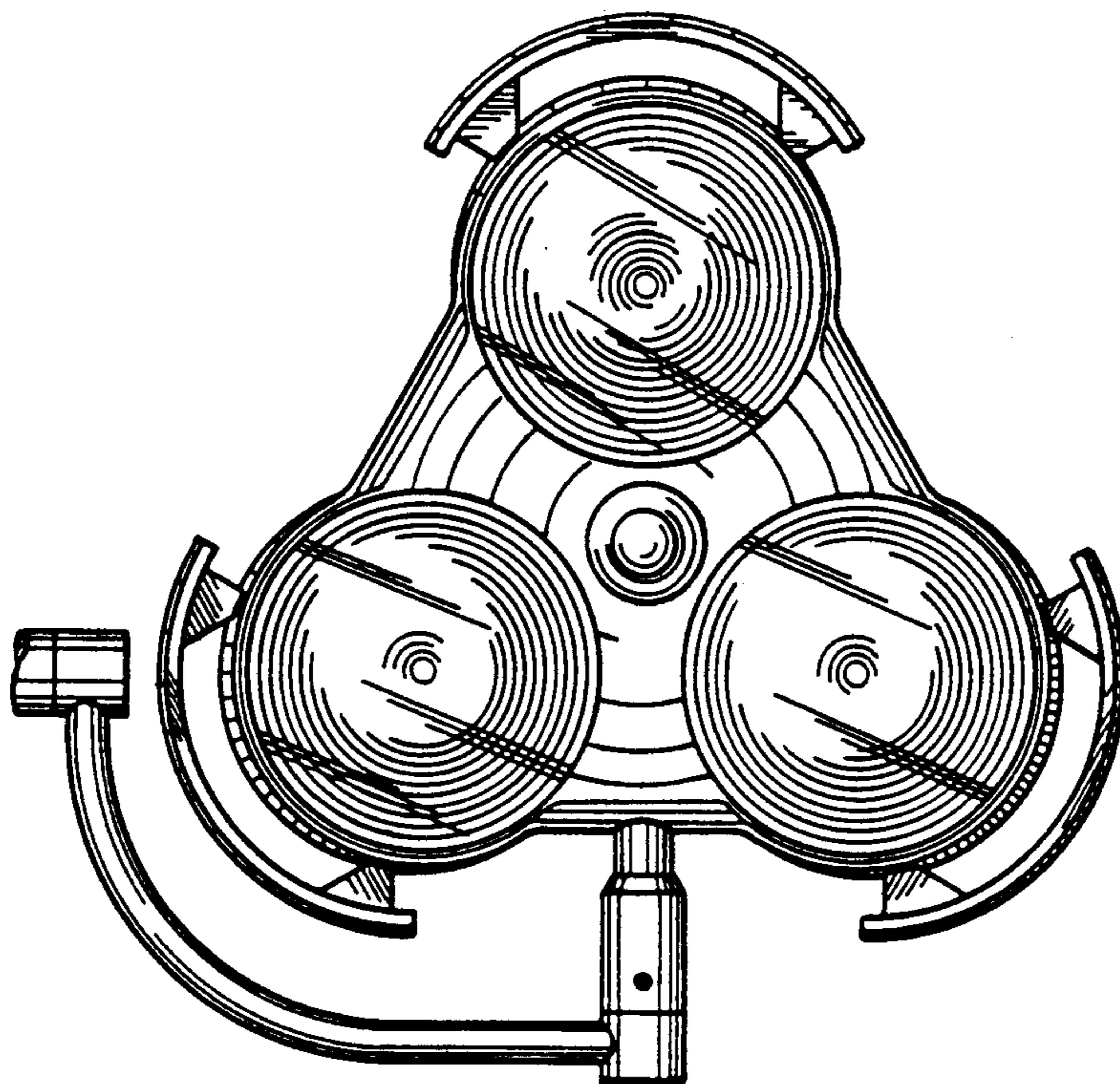


*Fig. 14*

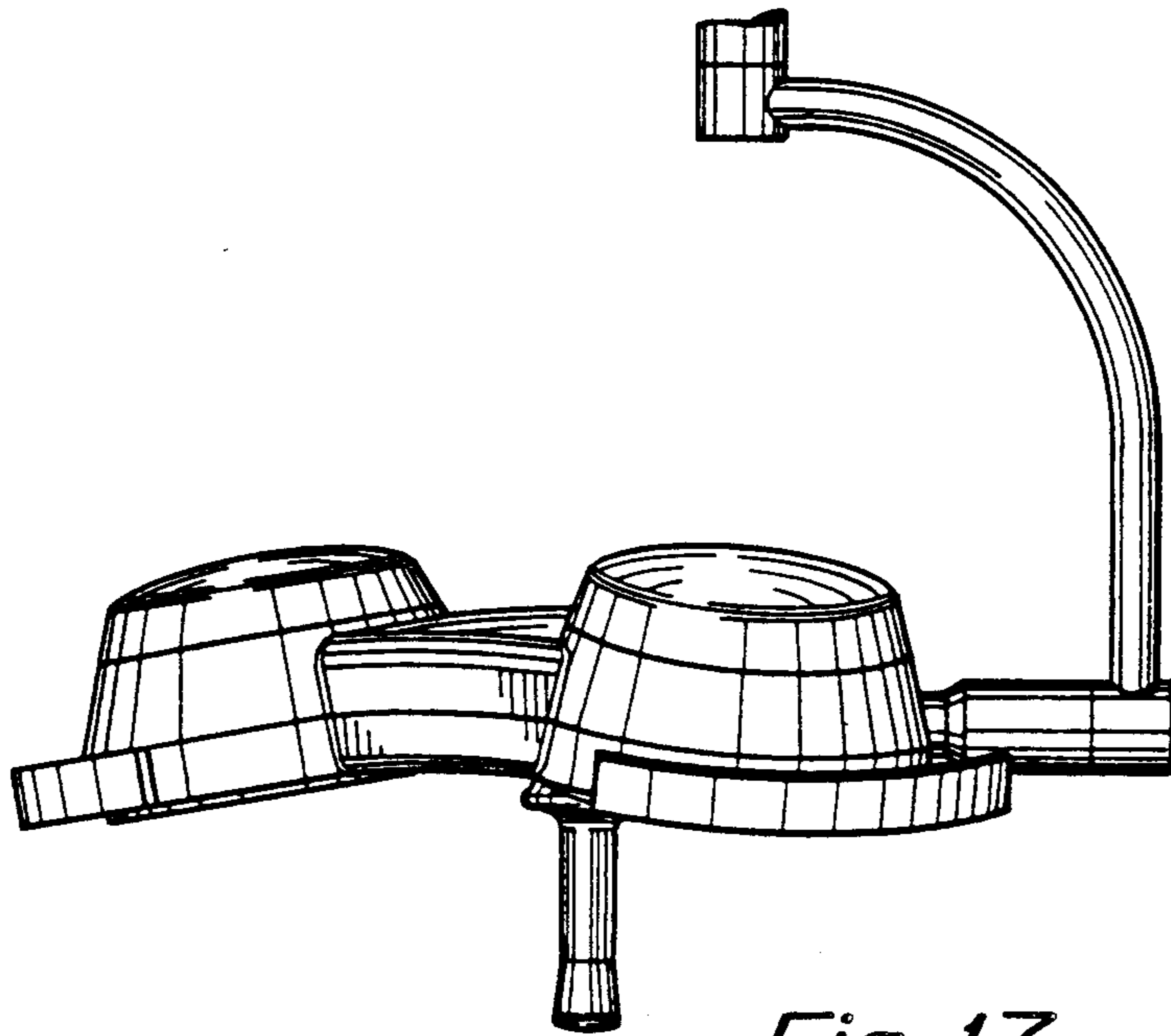




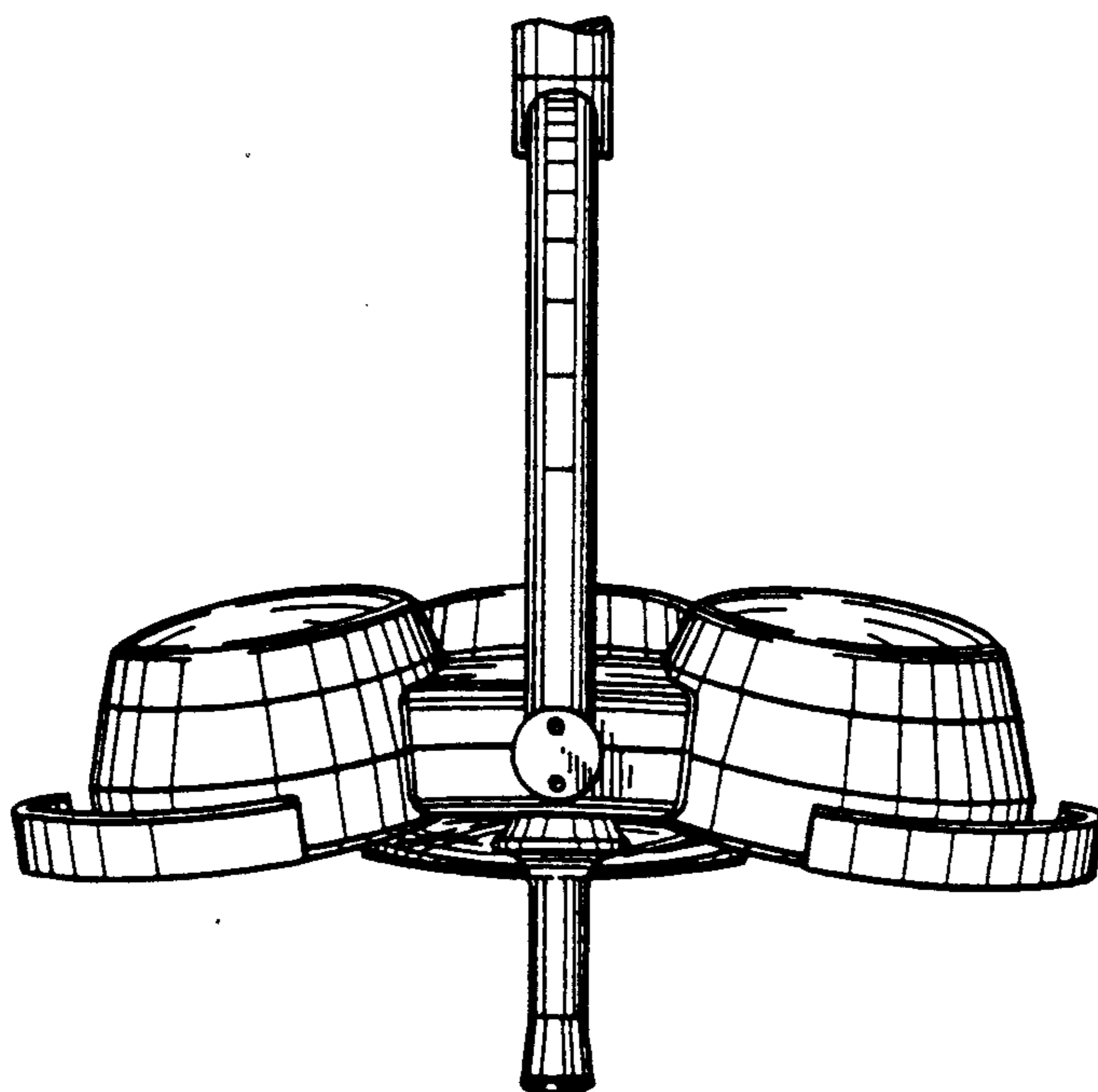
*Fig. 15*



*Fig. 16*



*Fig. 17*



*Fig. 18*