

[54] PORTABLE SCAFFOLD

[76] Inventors: Larry W. Smith, 410 Barber Rd., Marietta, Ga. 30060; Richard L. Caldwell, 2672 Roswell Rd., Marietta, Ga. 30062

[\*\*] Term: 14 Years

[21] Appl. No.: 312,970

[22] Filed: Feb. 21, 1989

[52] U.S. Cl. .... D25/66

[58] Field of Search ..... D25/62, 64, 66, 68; 182/53, 55, 61, 150, 152, 187

[56] References Cited

U.S. PATENT DOCUMENTS

1,004,689	10/1911	Raymer	182/53
1,503,305	7/1924	Dolaro	182/53
1,945,113	1/1934	Klobovcnik	182/61

2,043,864	6/1936	Novak	182/55
4,320,816	3/1982	Callahan et al.	182/55

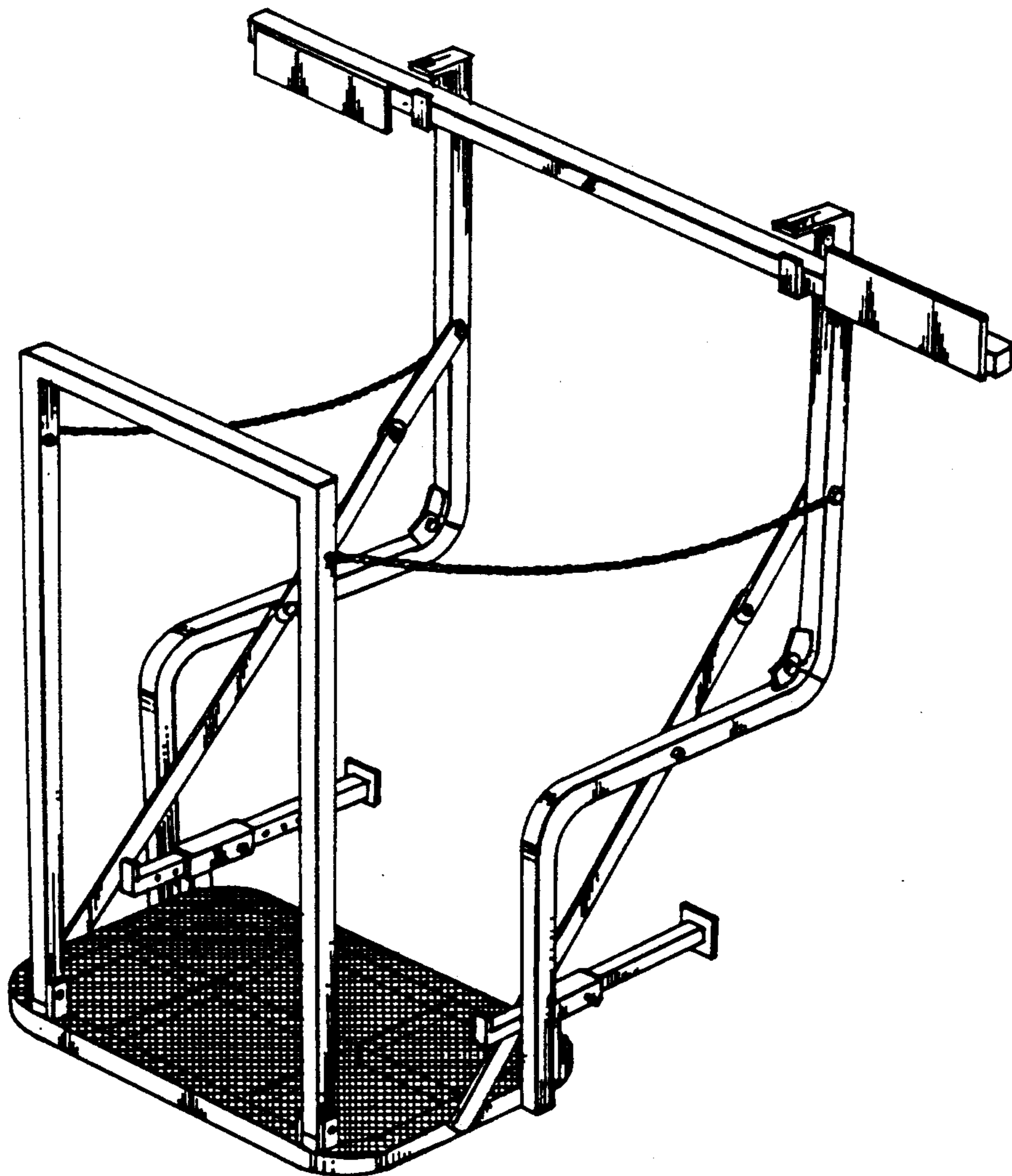
Primary Examiner—A. Hugo Word  
Assistant Examiner—Doris Clark  
Attorney, Agent, or Firm—Rodgers & Rodgers

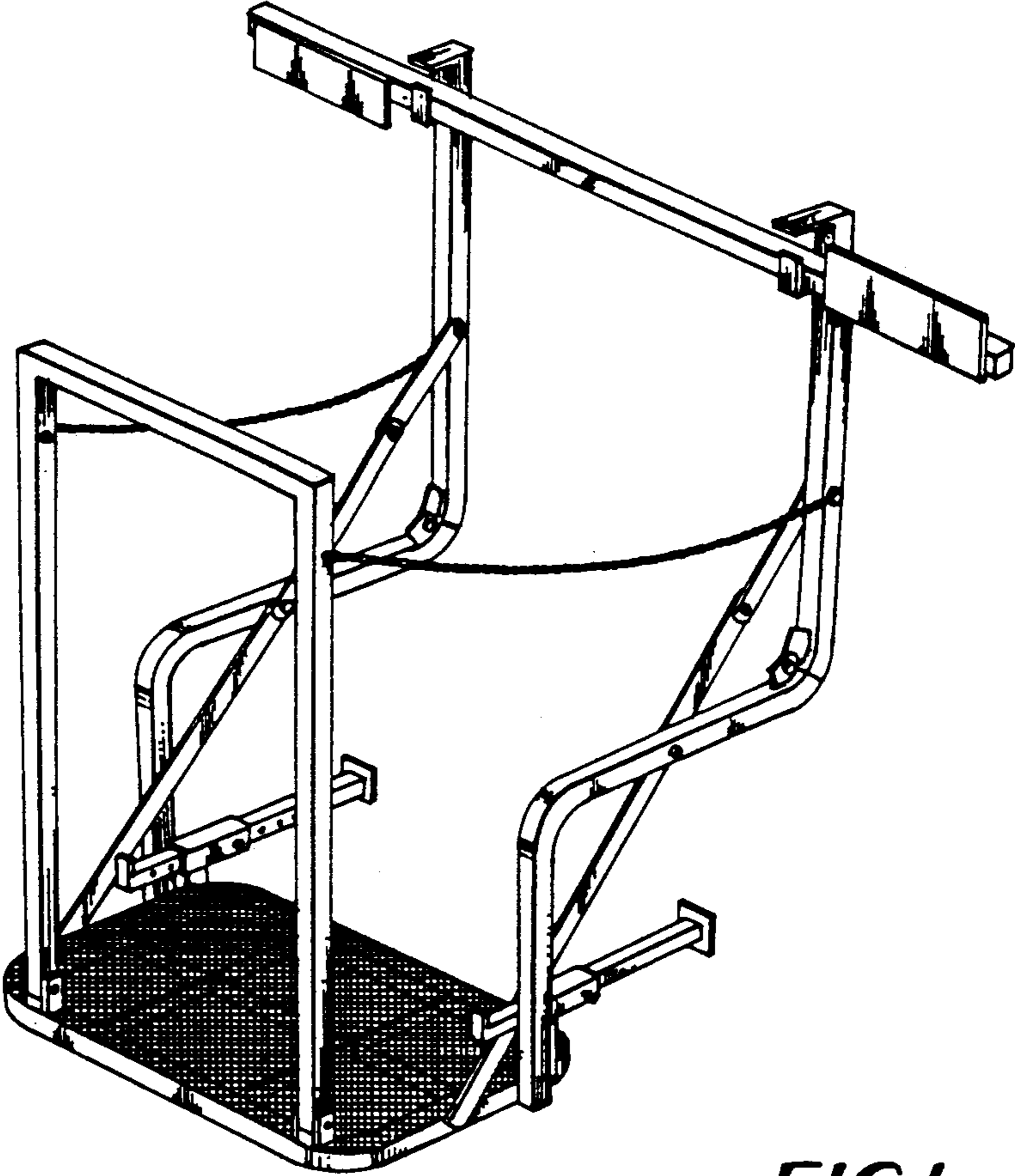
[57] CLAIM

The ornamental design for a portable scaffold, as shown.

DESCRIPTION

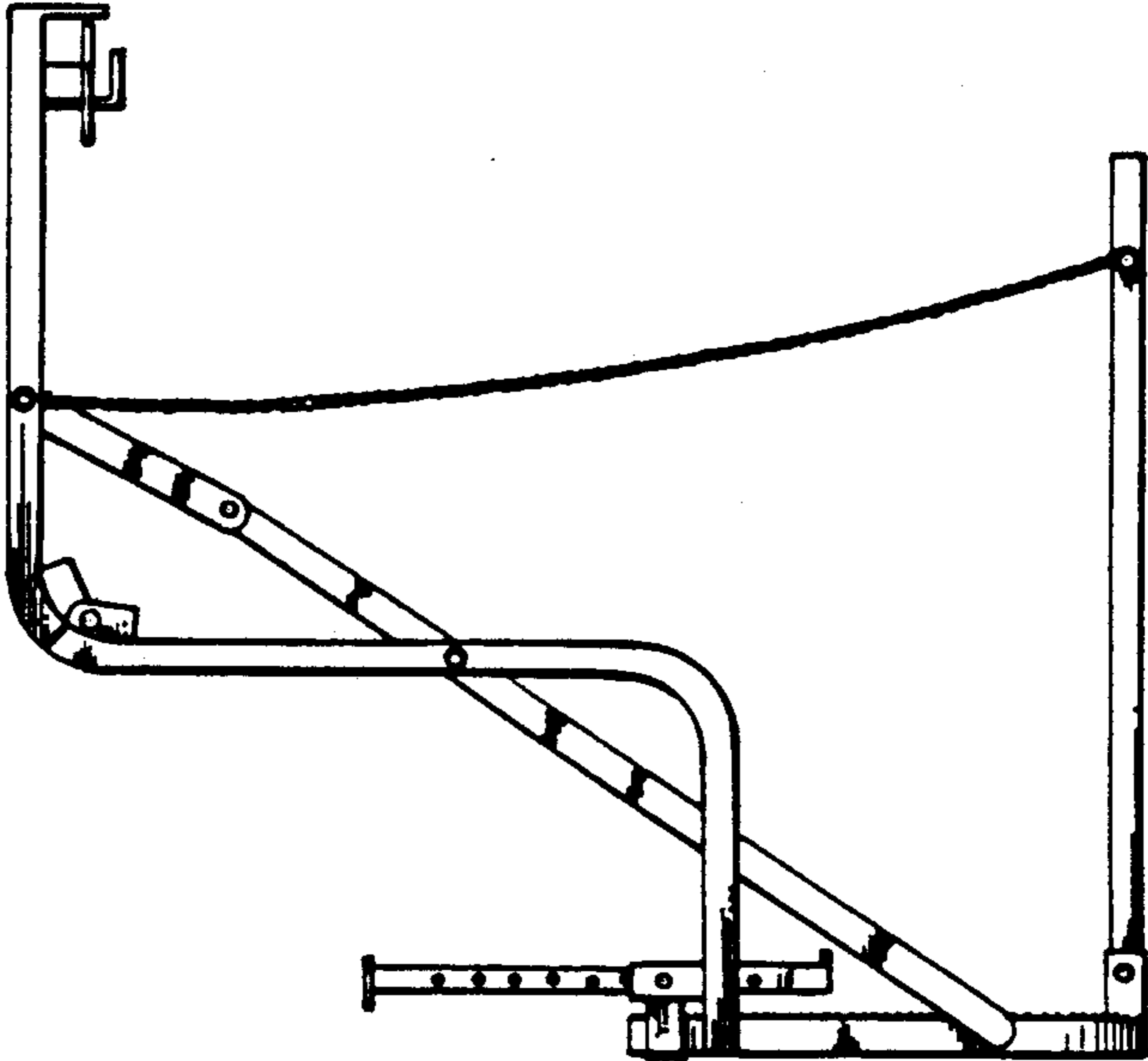
FIG. 1 is a perspective view of a portable scaffold showing our new design;  
FIG. 2 is a left side elevational view thereof, the opposite side being the same in appearance;  
FIG. 3 is a top plan view thereof;  
FIG. 4 is a rear elevational view thereof;  
FIG. 5 is a front elevational view thereof; and  
FIG. 6 is a bottom plan view thereof.

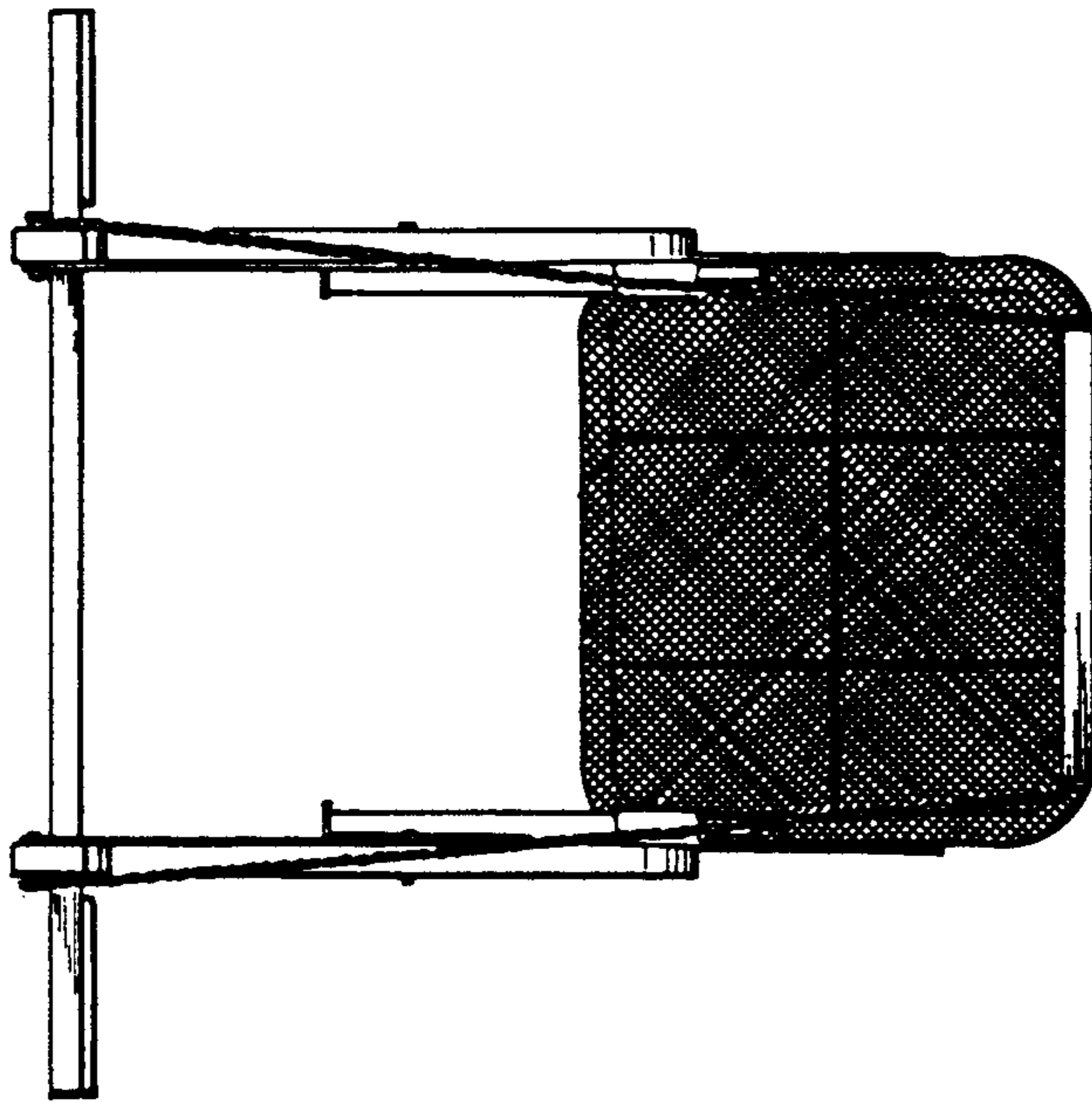




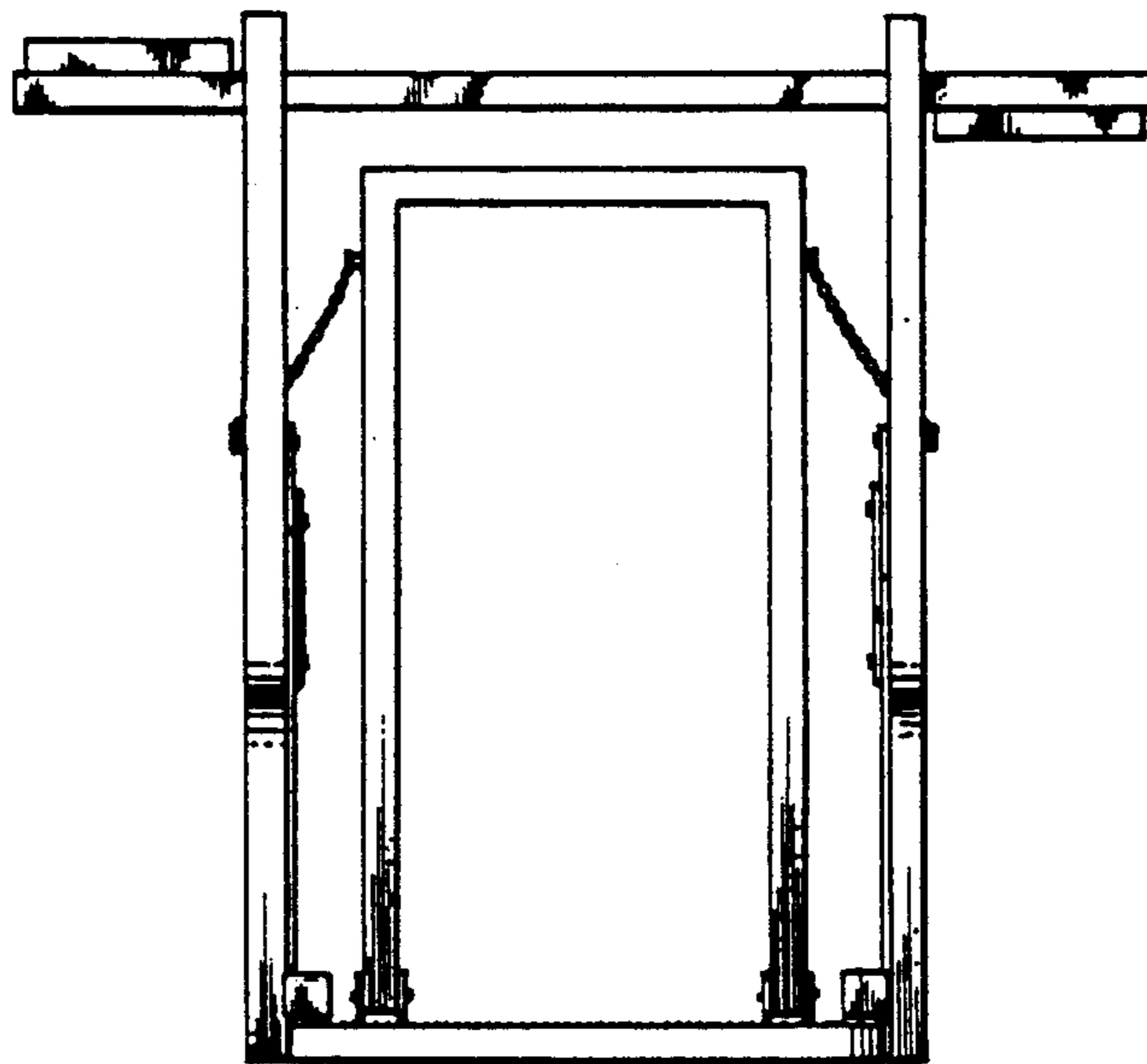
*FIG. 1*

*FIG. 2*

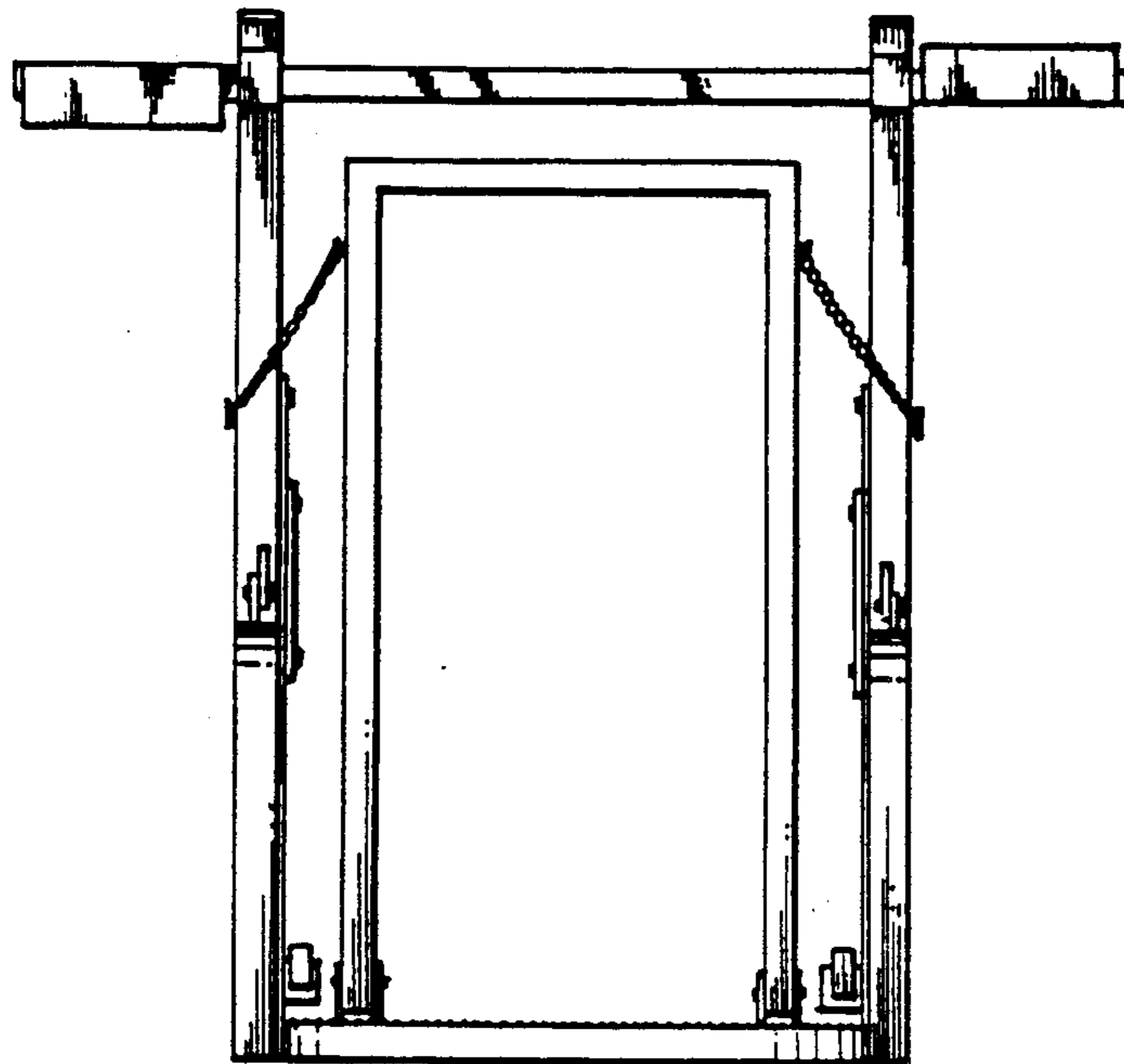




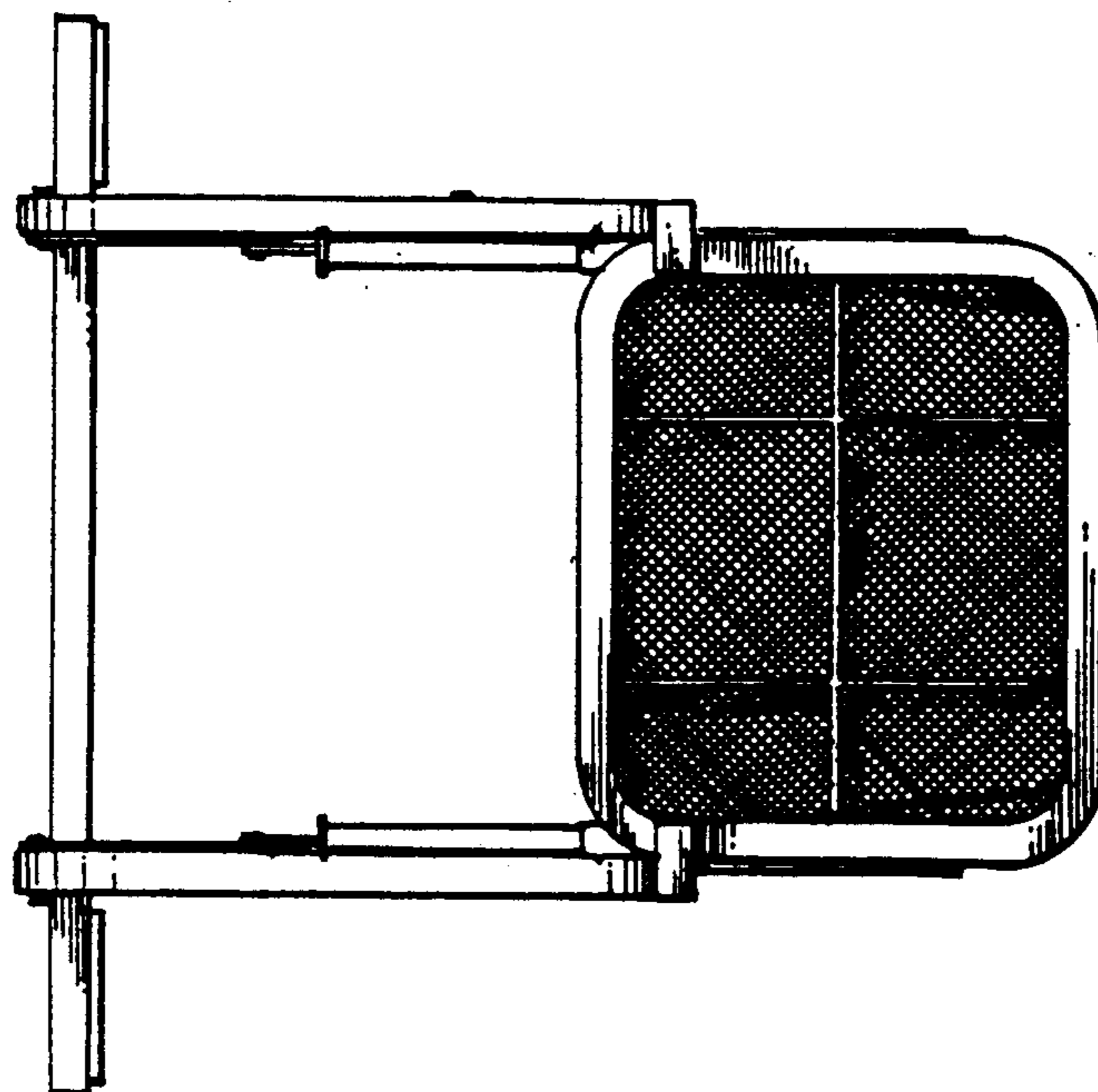
*FIG. 3*



*FIG. 4*



*FIG. 5*



*FIG. 6*