

United States Patent [19]

Cohen

[11] Patent Number: **Des. 315,794**

[45] Date of Patent: **** Mar. 26, 1991**

[54] **MOUTH-TO-MOUTH RESUSCITATOR**

[76] Inventor: **Ivan L. Cohen, Rte. 3, Box 409, Barnell, S.C. 29812**

[**] Term: **14 Years**

[21] Appl. No.: **222,244**

[22] Filed: **Jul. 21, 1988**

[52] U.S. Cl. **D24/62**

[58] Field of Search **D24/62; 128/202.28, 128/207.18, 206.25, 203.11; D29/7, 6**

[56] **References Cited**

U.S. PATENT DOCUMENTS

D. 301,618	6/1989	Barros	D24/62
D. 303,576	9/1989	Walton	D24/62
3,080,864	3/1963	Berman	D24/62 X
3,137,293	6/1964	Green	128/29
3,407,810	10/1968	Waldrep	128/145.5
3,508,543	4/1970	Aulicono	128/145.5
3,802,428	4/1974	Sherman	128/145.5

4,697,587	10/1987	Marinkovich	128/203.11
4,819,627	4/1989	Connors	128/203.11

FOREIGN PATENT DOCUMENTS

893721	4/1962	United Kingdom	128/145.5
904814	8/1962	United Kingdom	128/145.5

Primary Examiner—Stella Reid

Attorney, Agent, or Firm—Terry M. Gernstein

[57] **CLAIM**

The ornamental design for a mouth-to-mouth resuscitator, as shown and described.

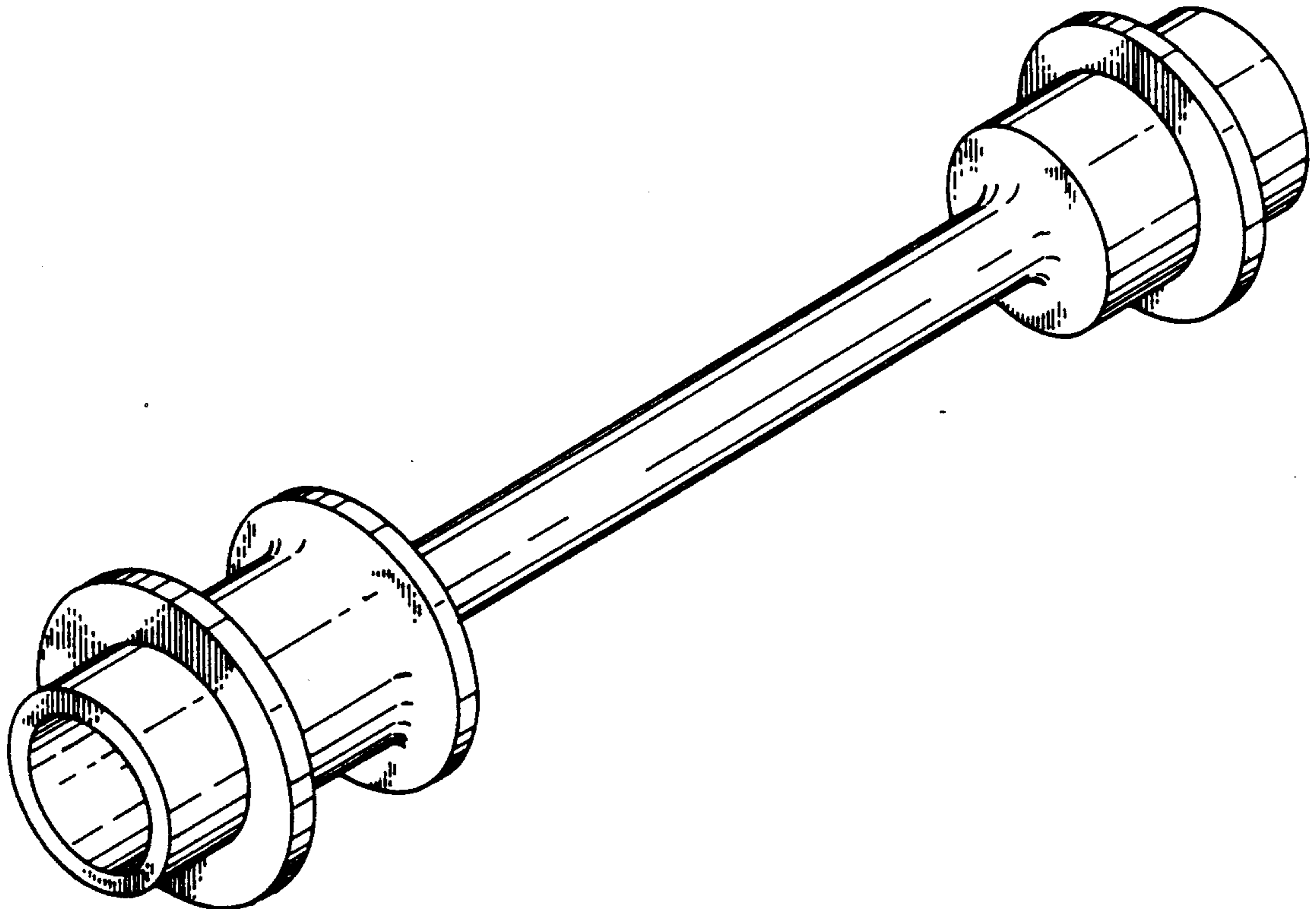
DESCRIPTION

FIG. 1 is a perspective view of a mouth-to-mouth resuscitator, showing my new design;

FIG. 2 is an end elevational view thereof, the opposite end elevational view being identical thereto;

FIG. 3 is a side elevational view thereof, all other side elevational views being identical thereto; and

FIG. 4 is a fragmentary cut-away portion thereof.



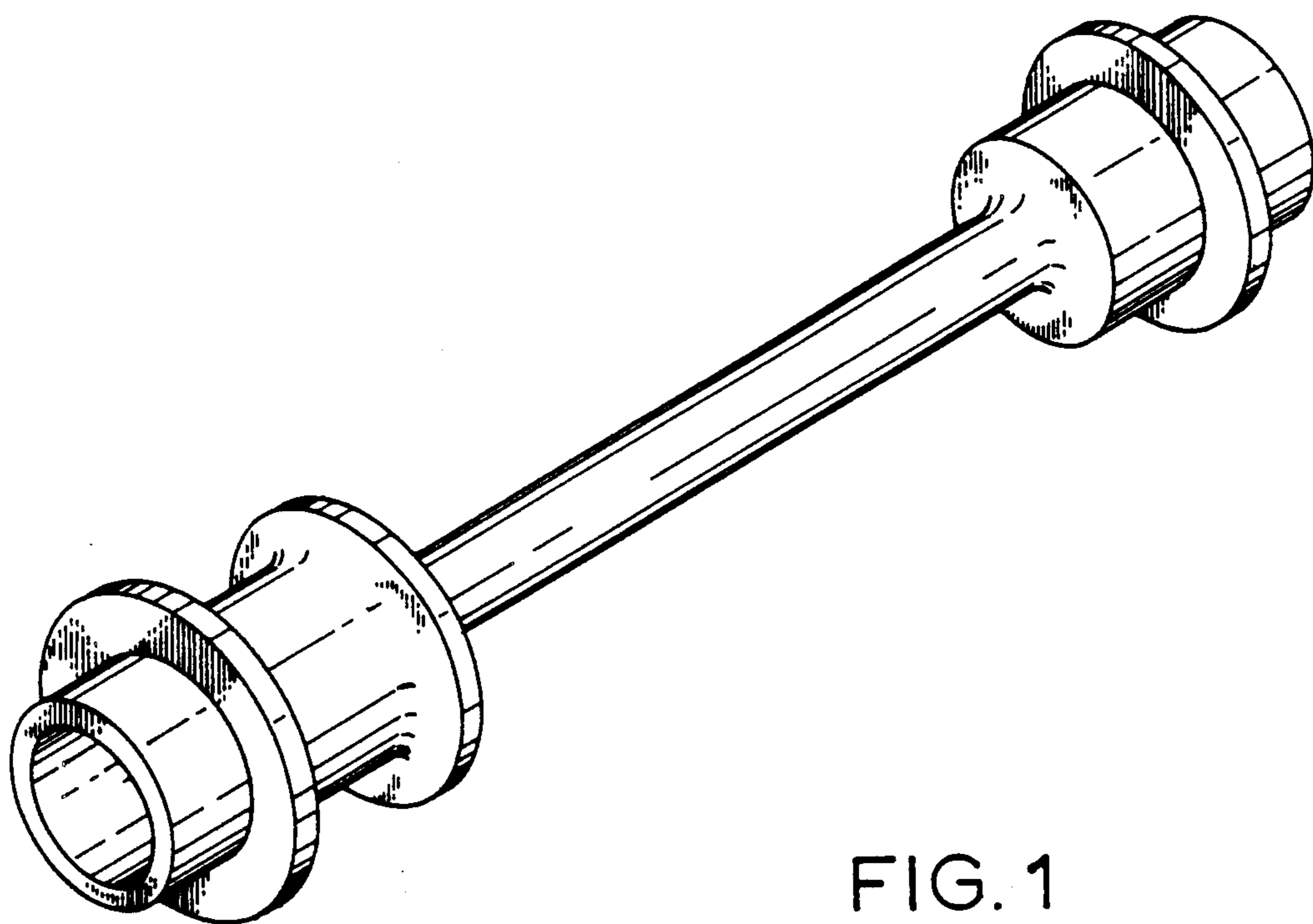


FIG. 1

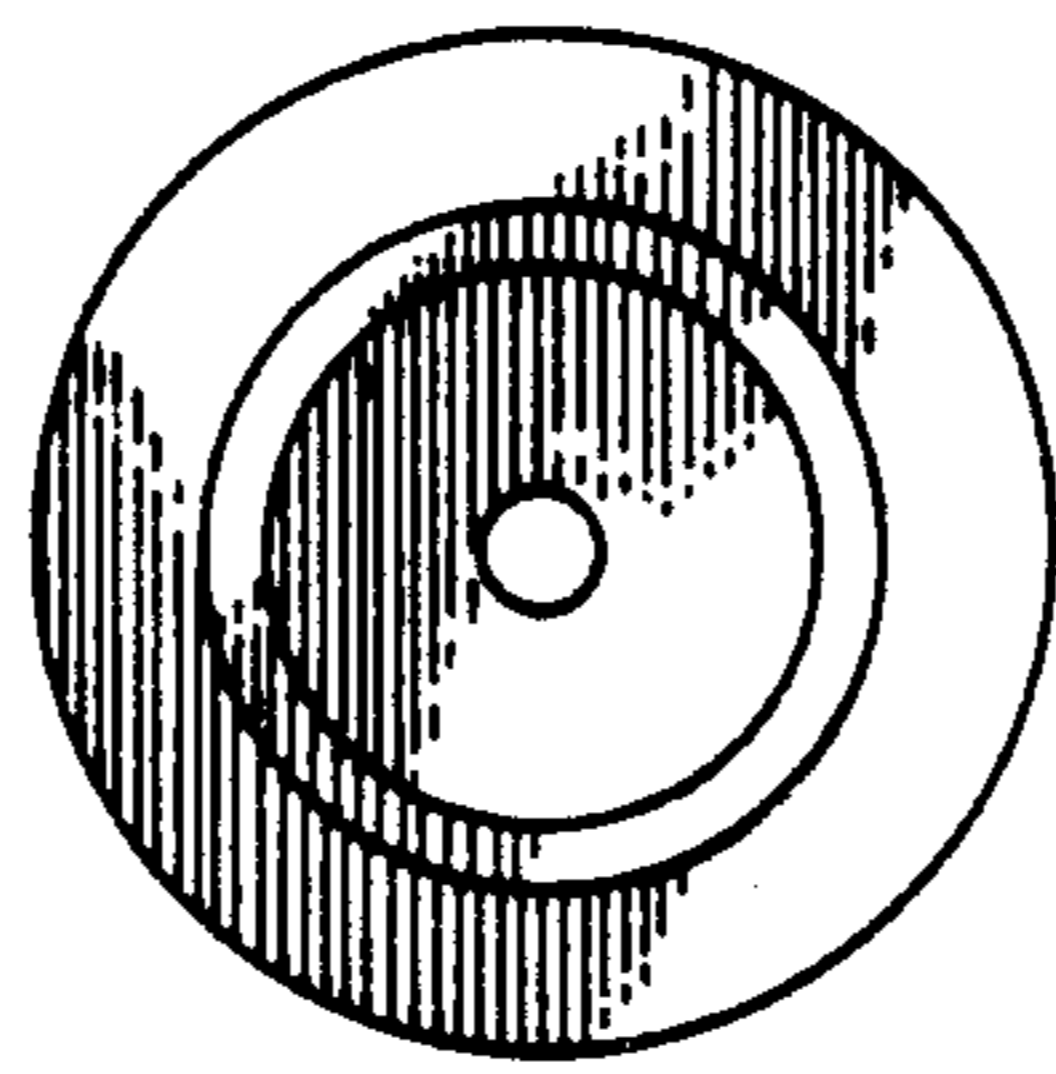


FIG. 2

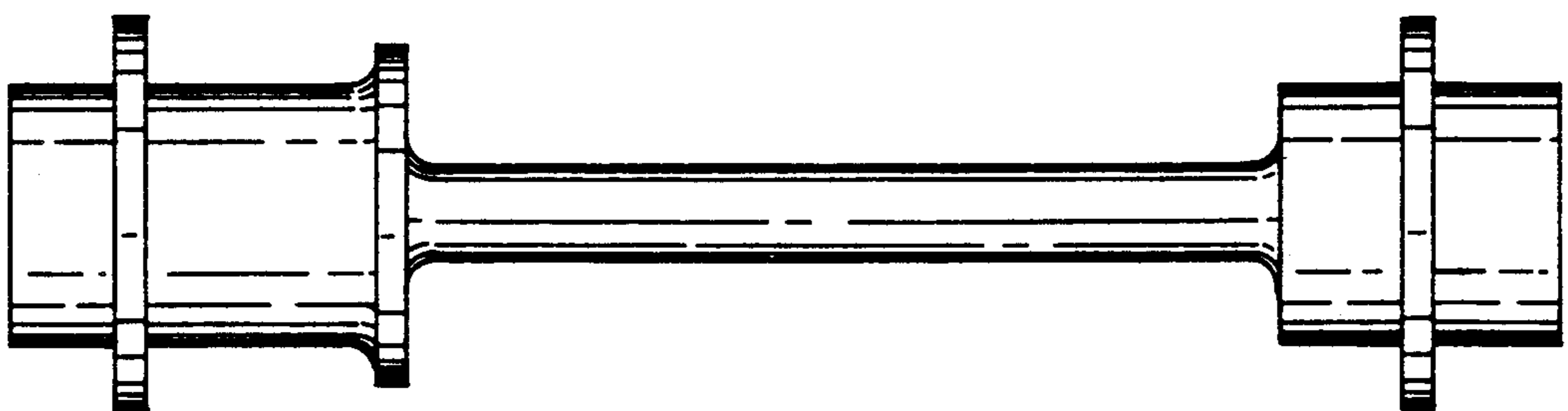


FIG. 3

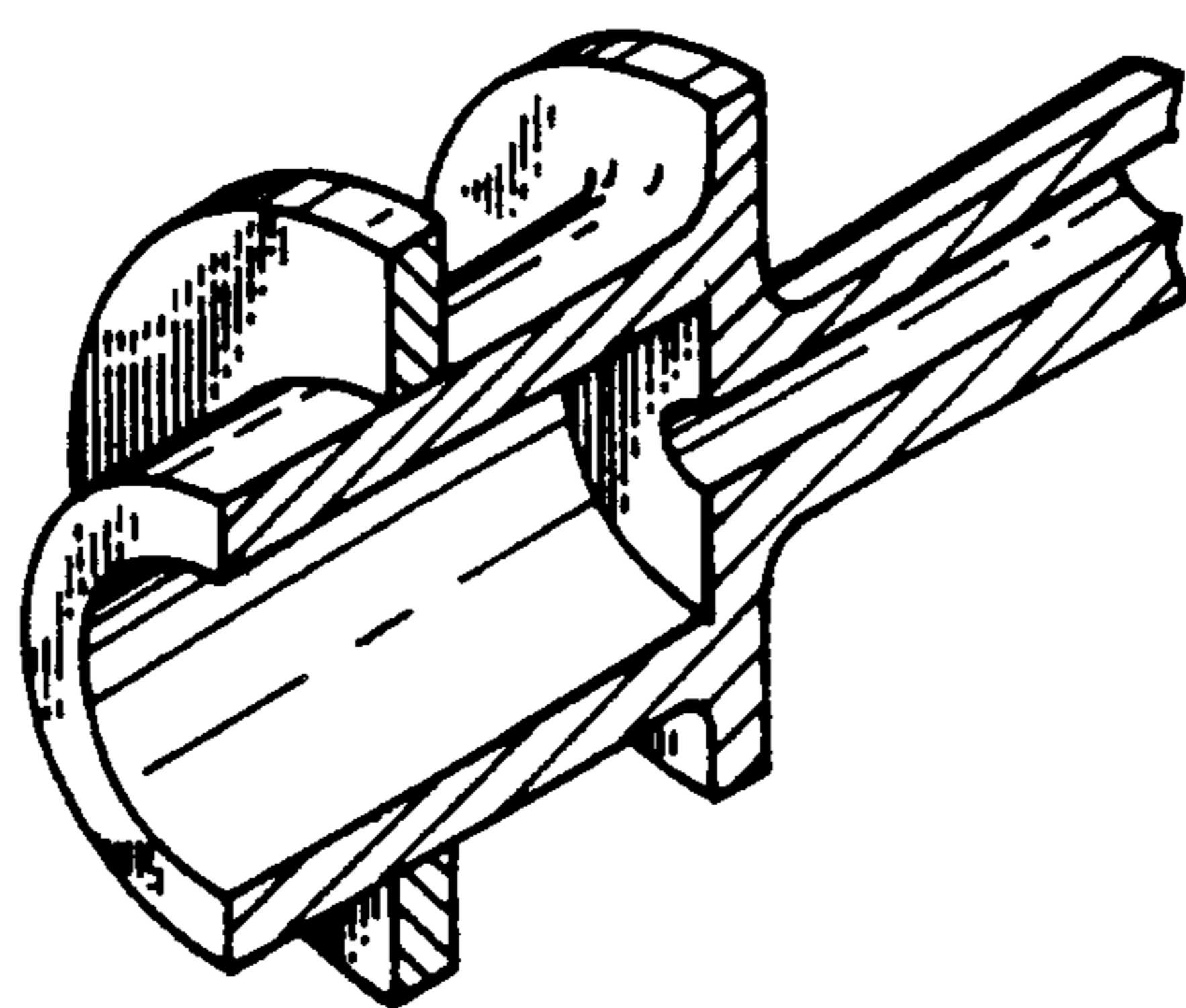


FIG. 4