

[54] **ELECTRICAL AIR FRESHENER**

4,808,347 2/1989 Dawn 239/57

[75] **Inventor: Kenneth Muderlak, Milwaukee, Wis.**

Primary Examiner—James M. Gandy
Assistant Examiner—Lisa Lichtenstein
Attorney, Agent, or Firm—William, Brinks, Olds, Hofer,
Gilson & Lione

[73] **Assignee: Turbo Blast Air Freshener, Inc.,
Chicago, Ill.**

[**] **Term: 14 Years**

[57] **CLAIM**

[21] **Appl. No.: 361,060**

The ornamental design for an electrical air freshener, as shown and described.

[22] **Filed: Jun. 2, 1989**

[52] **U.S. Cl. D23/366**

[58] **Field of Search D23/366; 261/DIG. 65;
422/5; 219/274, 275, 276**

DESCRIPTION

FIG. 1 is a perspective view of an electrical air freshener showing my new design;
FIG. 2 is a rear elevational view thereof;
FIG. 3 is a right side elevational view thereof, the left side being substantially identical;
FIG. 4 is a top plan view thereof;
FIG. 5 is a bottom plan view thereof; and
FIG. 6 is a front elevational view thereof.

[56] **References Cited**

U.S. PATENT DOCUMENTS

D. 254,930 5/1980 Mandon et al. D23/369
D. 306,644 3/1990 Luthy D23/366

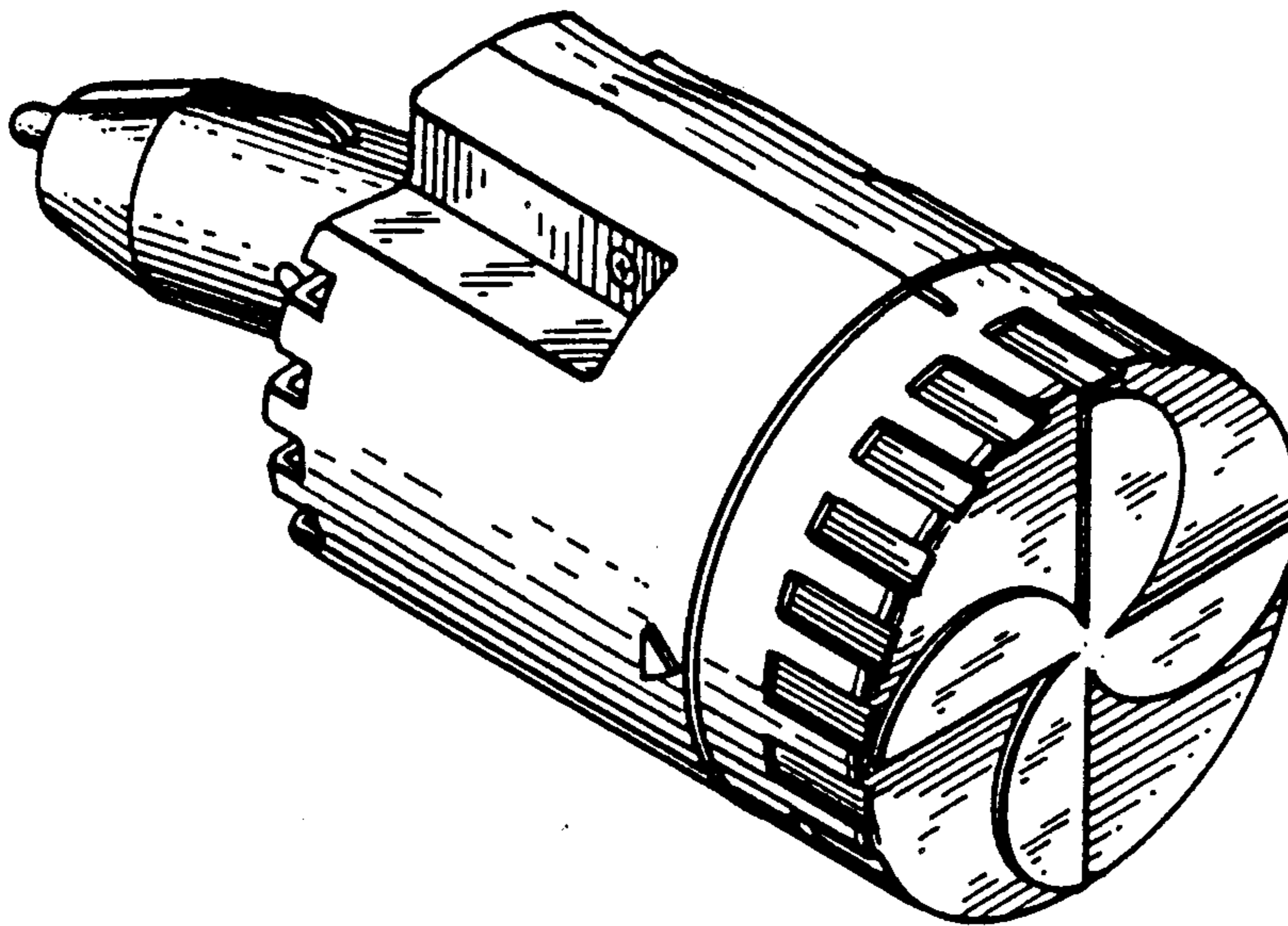


FIG. 1

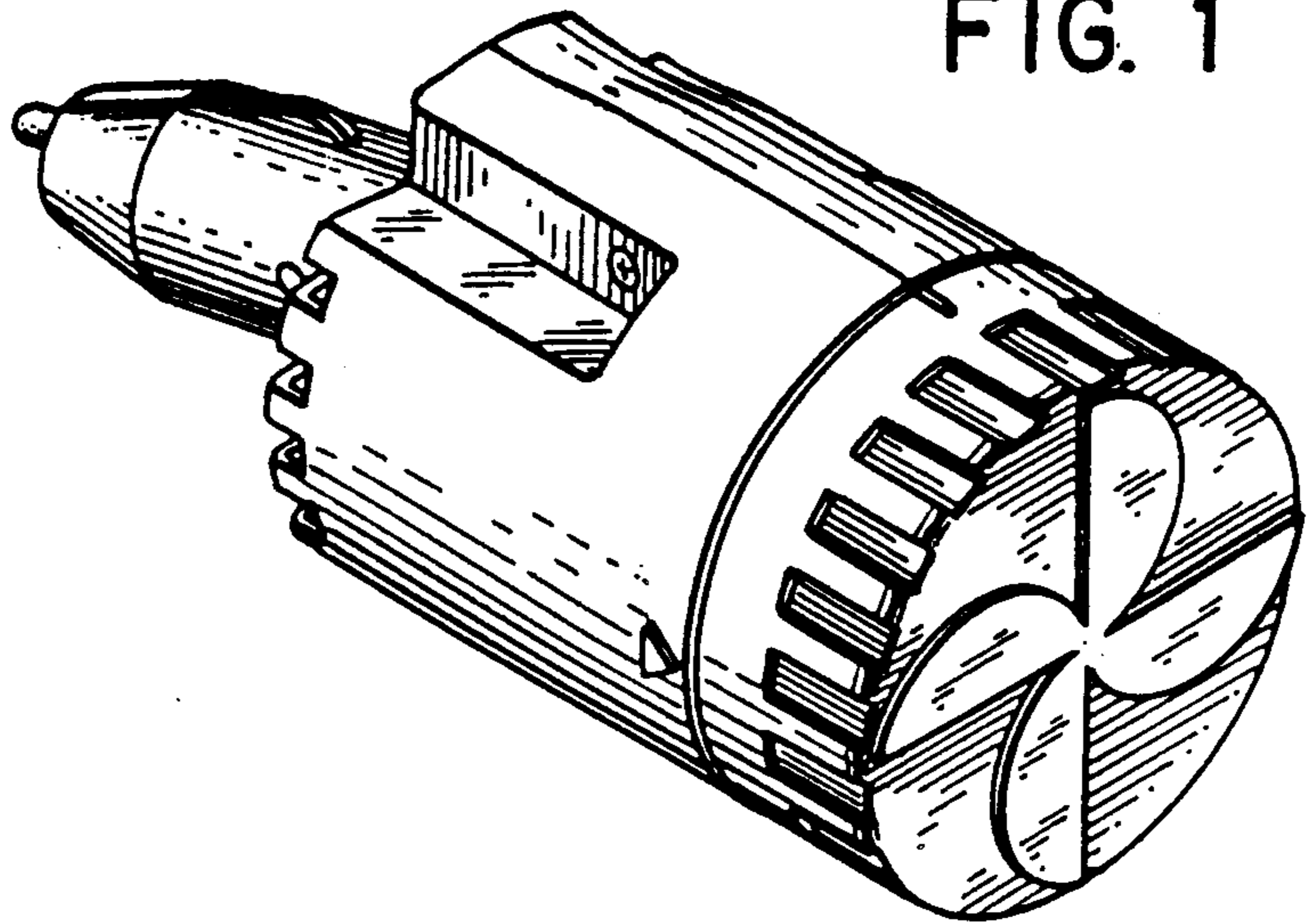


FIG. 2

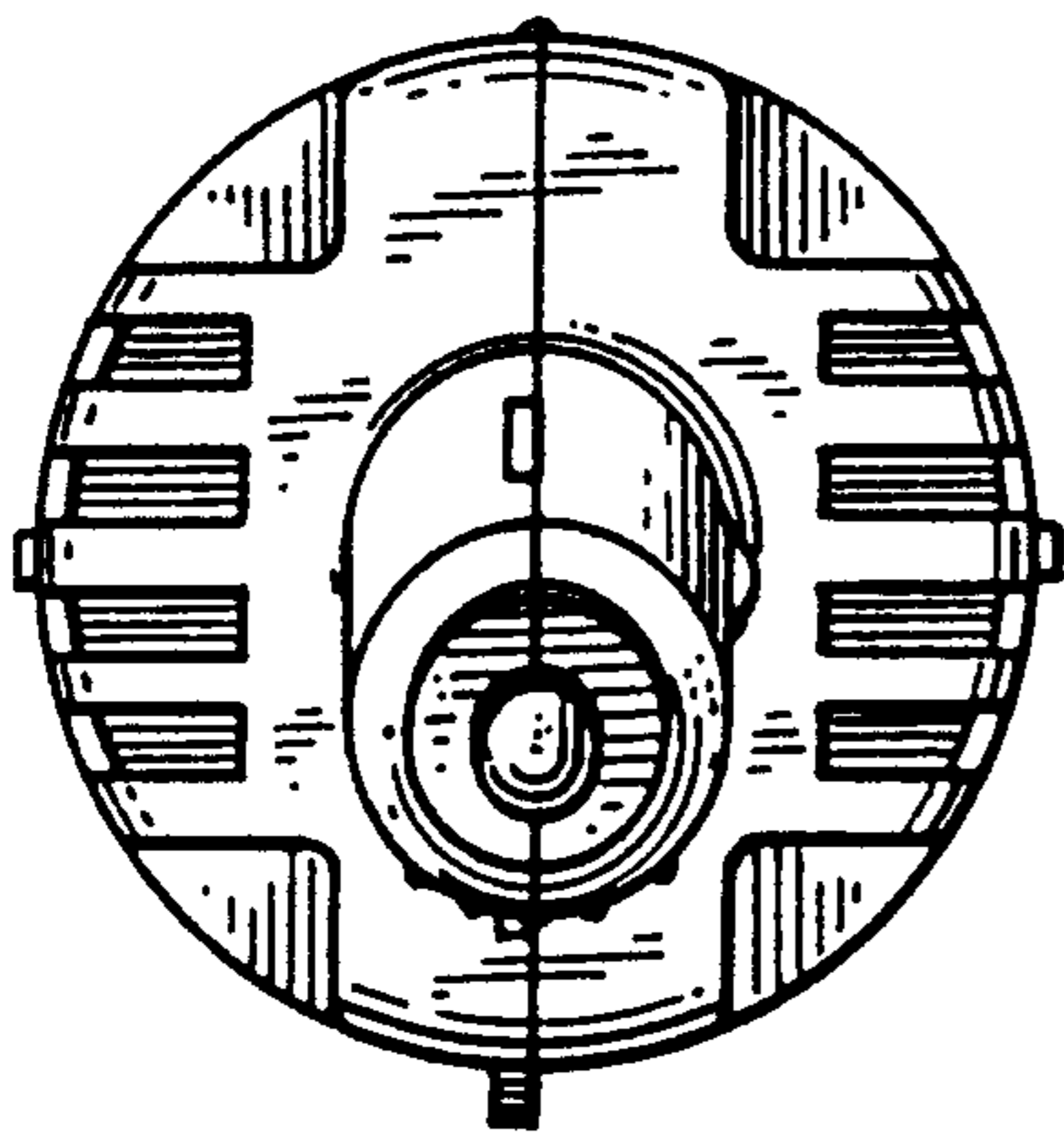


FIG. 3

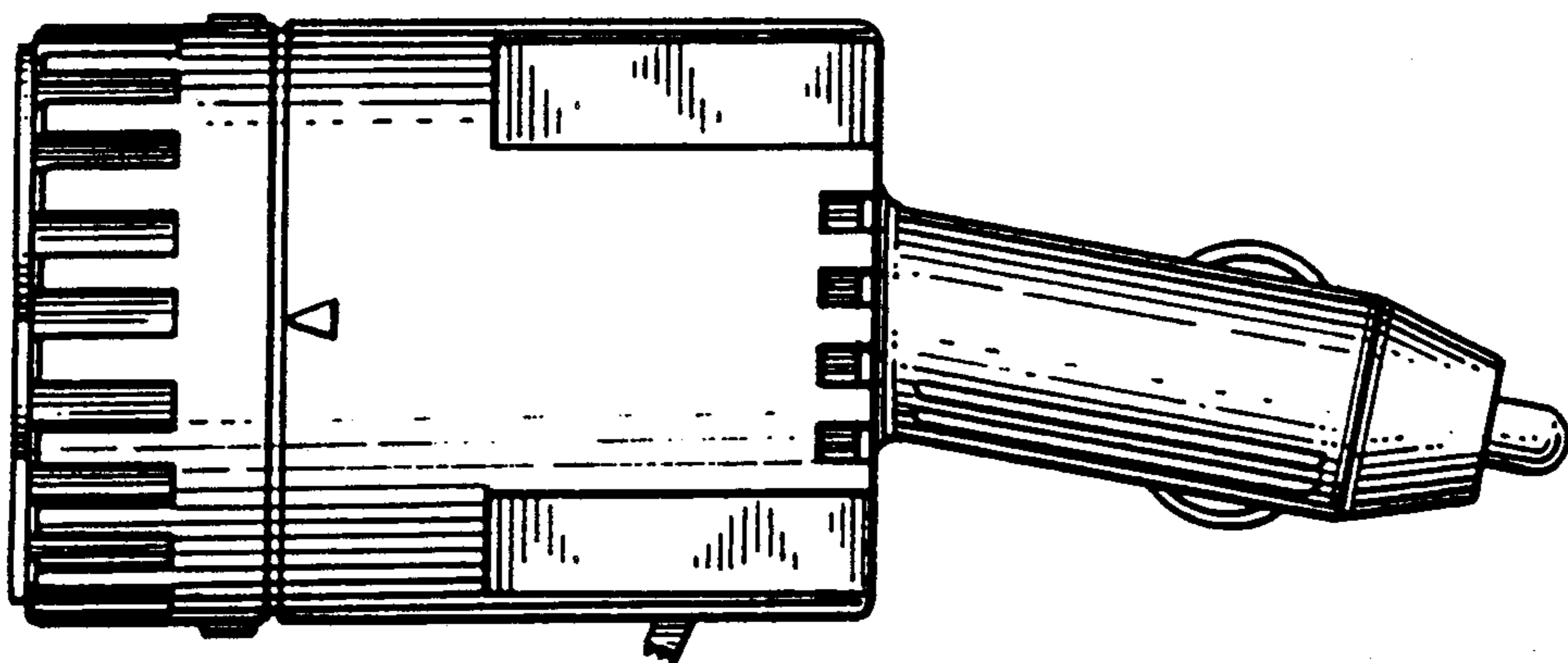


FIG. 4

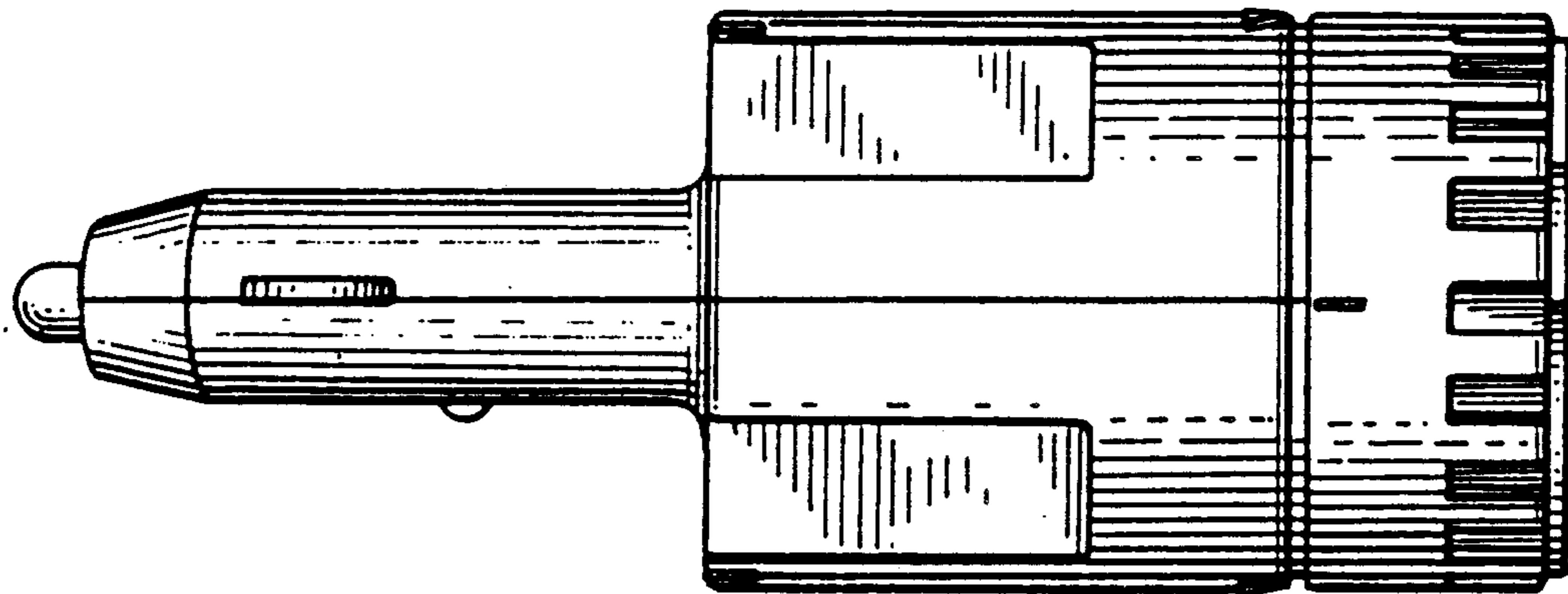


FIG. 5

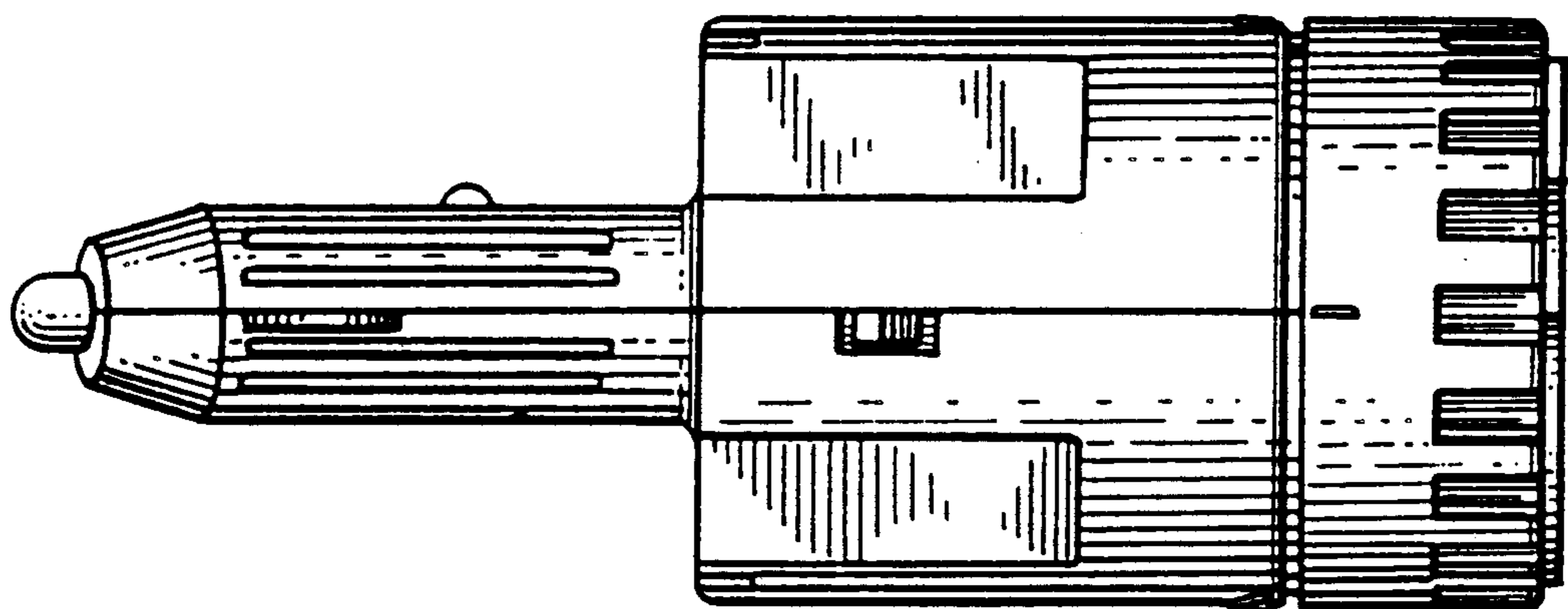
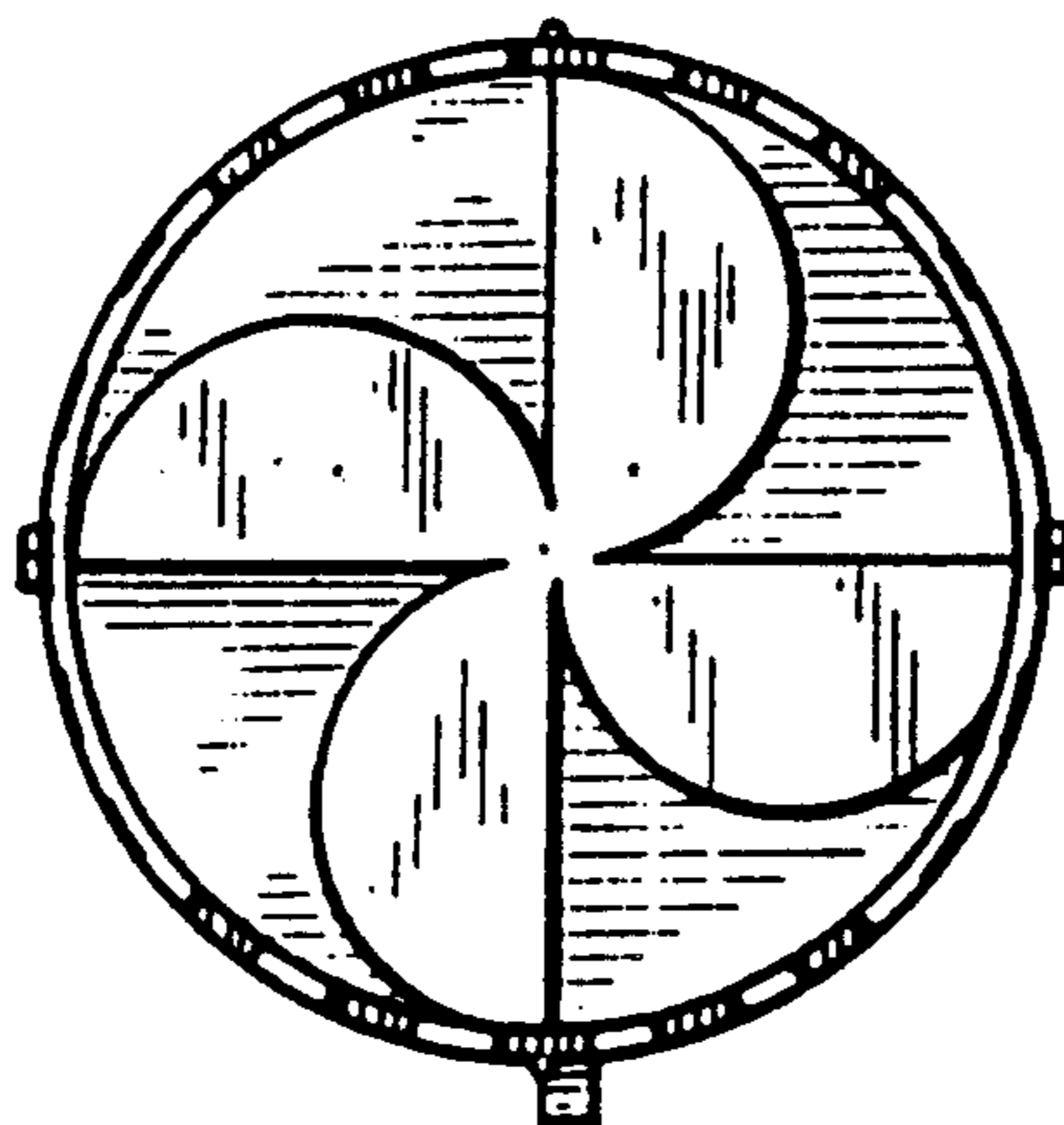


FIG. 6



**UNITED STATES PATENT AND TRADEMARK OFFICE
CERTIFICATE OF CORRECTION**

PATENT NO. : Des. 315,789
DATED : March 26, 1991
INVENTOR(S) : Kenneth Muderlak

Page 1 of 2

It is certified that error appears in the above-identified patent and that said Letters Patent is hereby corrected as shown below:

On the title page:

IN THE REFERENCES CITED

On the cover page, column 2, on the line following "4,808,347 2/1989 Dawn 239/57" please insert:

2,737,572	3/1956	Ernst	219/276
3,006,042	10/1961	Calandra	422/174
4,035,451	7/1977	Tringali	261/101
4,040,568	8/1977	Mason, Jr. et al.	239/57
4,059,422	11/1977	Steiner	55/418
4,065,261	12/1977	Fukada	261/95
4,197,271	8/1980	Fenstermaker et al.	422/123
4,200,229	4/1980	Spector	239/57
4,226,829	10/1980	Mike	422/123
4,271,092	6/1981	Sullivan et al.	261/30
4,276,236	6/1981	Sullivan et al.	261/30
4,604,245	8/1986	Gutierrez	261/26

UNITED STATES PATENT AND TRADEMARK OFFICE
CERTIFICATE OF CORRECTION

PATENT NO. : Des. 315,789

DATED : March 26, 1991

INVENTOR(S) : Kenneth Muderlak

Page 2 of 2

It is certified that error appears in the above-identified patent and that said Letters Patent is hereby corrected as shown below:

4,743,406 5/1988 Steiner et al. 261/30

Signed and Sealed this
Twenty-second Day of December, 1992

Attest:

DOUGLAS B. COMER

Attesting Officer

Acting Commissioner of Patents and Trademarks