

[54] SPRINKLER SIDE OUTLET 90 DEGREE FITTING

[76] Inventor: Bryan L. Towsley, 1456 Kiowa Trail, Elizabeth, Colo. 80107

[**] Term: 14 Years

[21] Appl. No.: 325,502

[22] Filed: Mar. 20, 1989

[52] U.S. Cl. D2/263

[58] Field of Search 239/201, 207, 239, 267, 239/391, 397

[56] References Cited

U.S. PATENT DOCUMENTS

D. 117,590	11/1939	Wilson	D23/263
D. 229,410	11/1973	Luckenbill et al.	D23/263
D. 258,078	1/1981	Gallagher et al.	D23/263
2,449,754	9/1948	Seitz	285/179
2,531,101	11/1950	Becker	239/267
2,609,638	9/1952	Lindenmeyer	285/150
3,046,698	7/1962	Breen et al.	285/61
3,759,445	9/1973	King	285/5

3,833,019	9/1974	Diggs	285/259
4,238,131	12/1980	Cleveland	285/156
4,456,180	6/1984	Lury	239/397

FOREIGN PATENT DOCUMENTS

955540	1/1950	France	285/150
2288930	5/1976	France	285/239

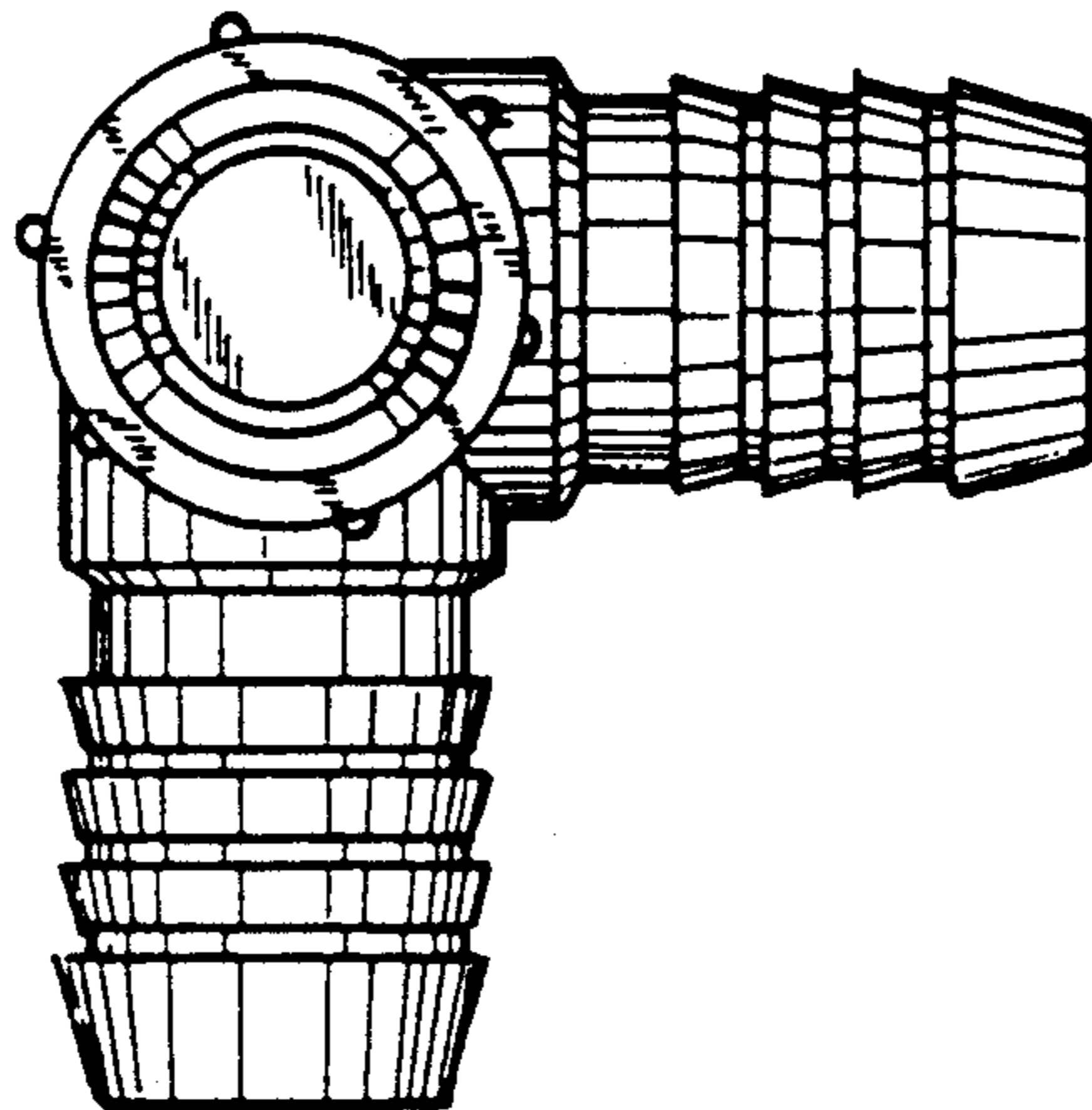
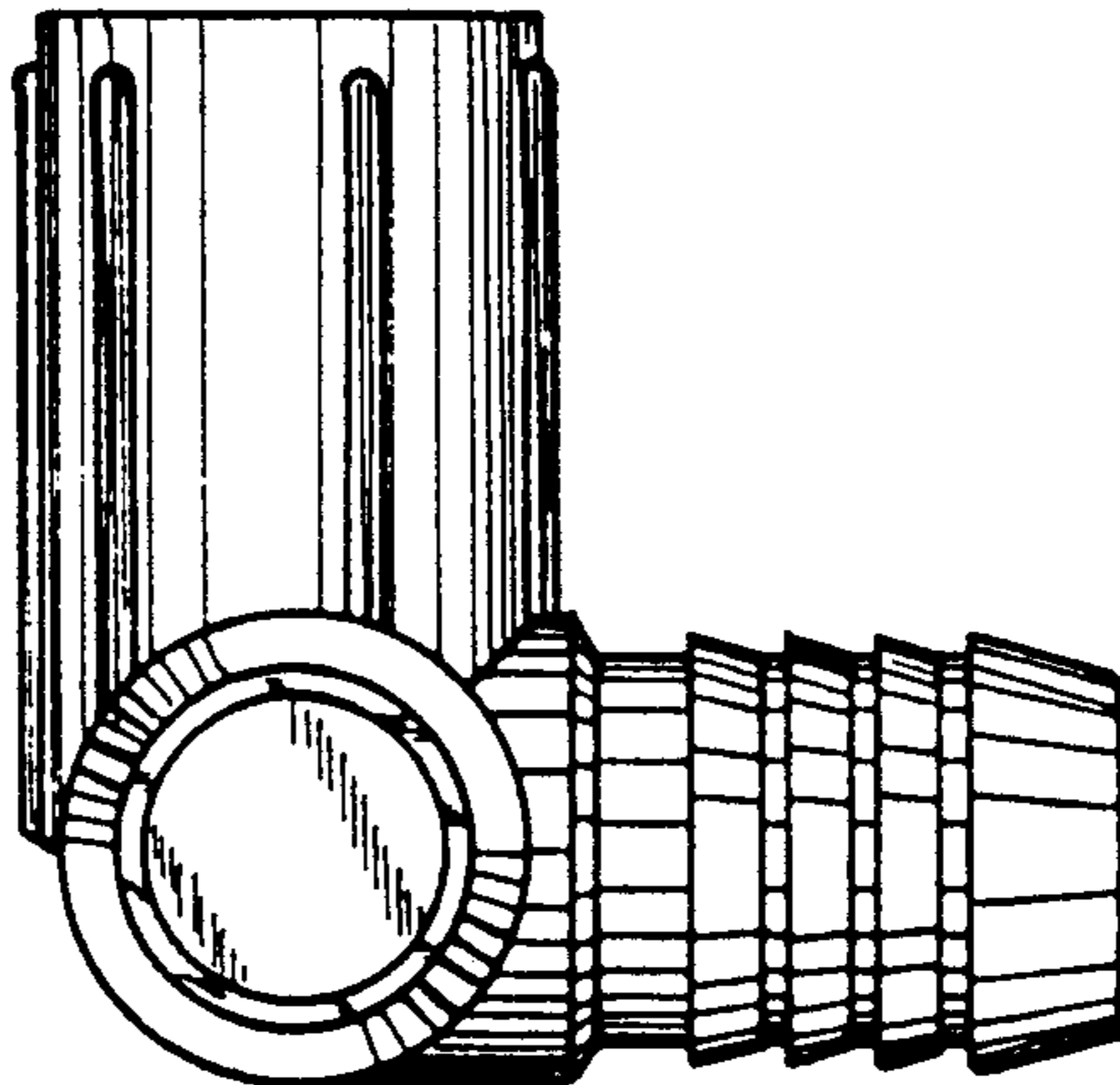
Primary Examiner—James R. Largen
Assistant Examiner—Demetrias Reynolds
Attorney, Agent, or Firm—Norvell E. Von Behren

[57] CLAIM

The ornamental design for a sprinkler side outlet 90° fitting, as shown and described.

DESCRIPTION

FIG. 1 is a front elevational view of a sprinkler outlet fitting showing my new design;
FIG. 2 is a rear elevational view thereof;
FIG. 3 is a left side elevational view thereof;
FIG. 4 is a right side elevational view thereof;
FIG. 5 is a top plan view thereof; and
FIG. 6 is a bottom plan view thereof.



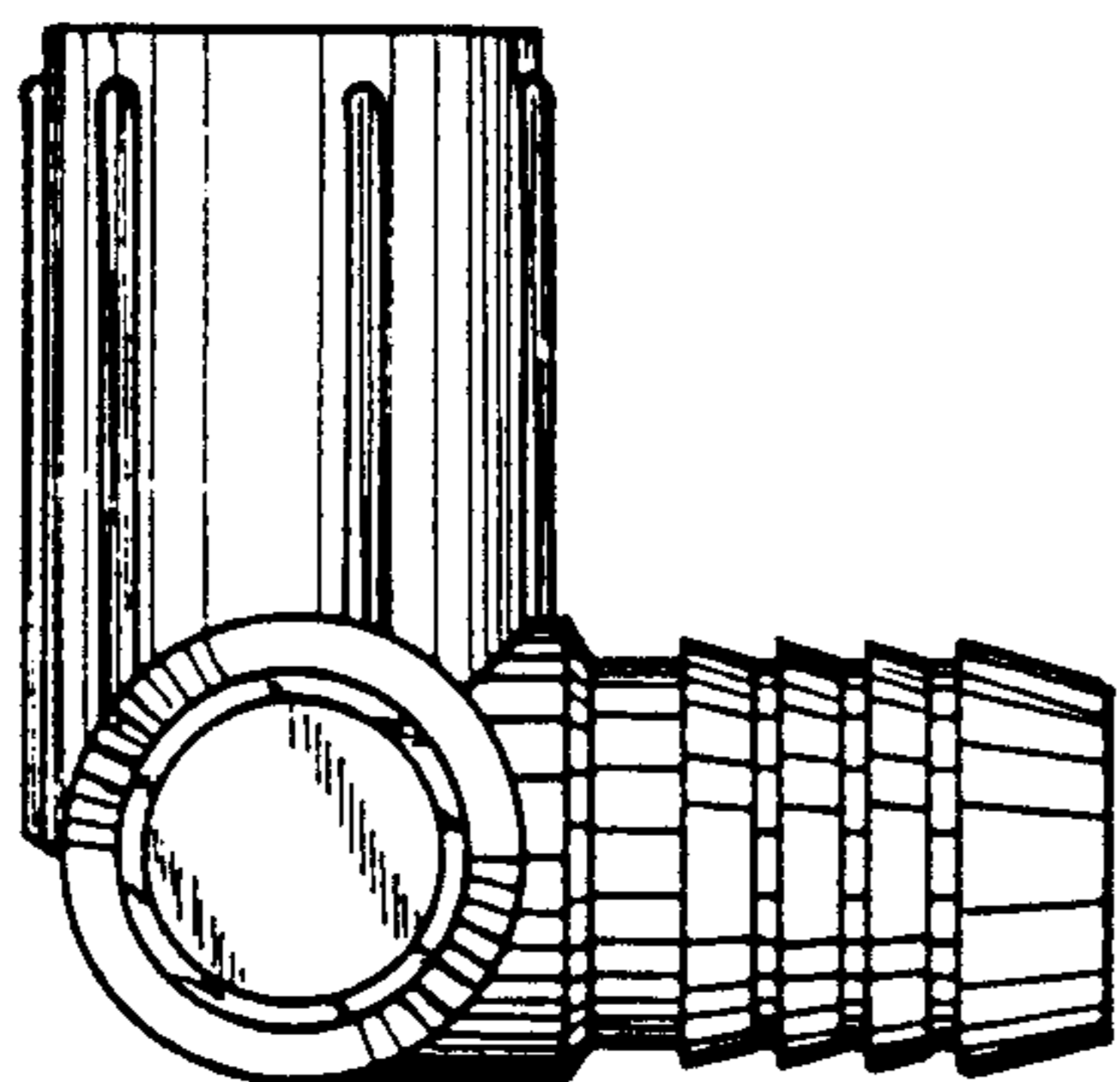


FIG-1

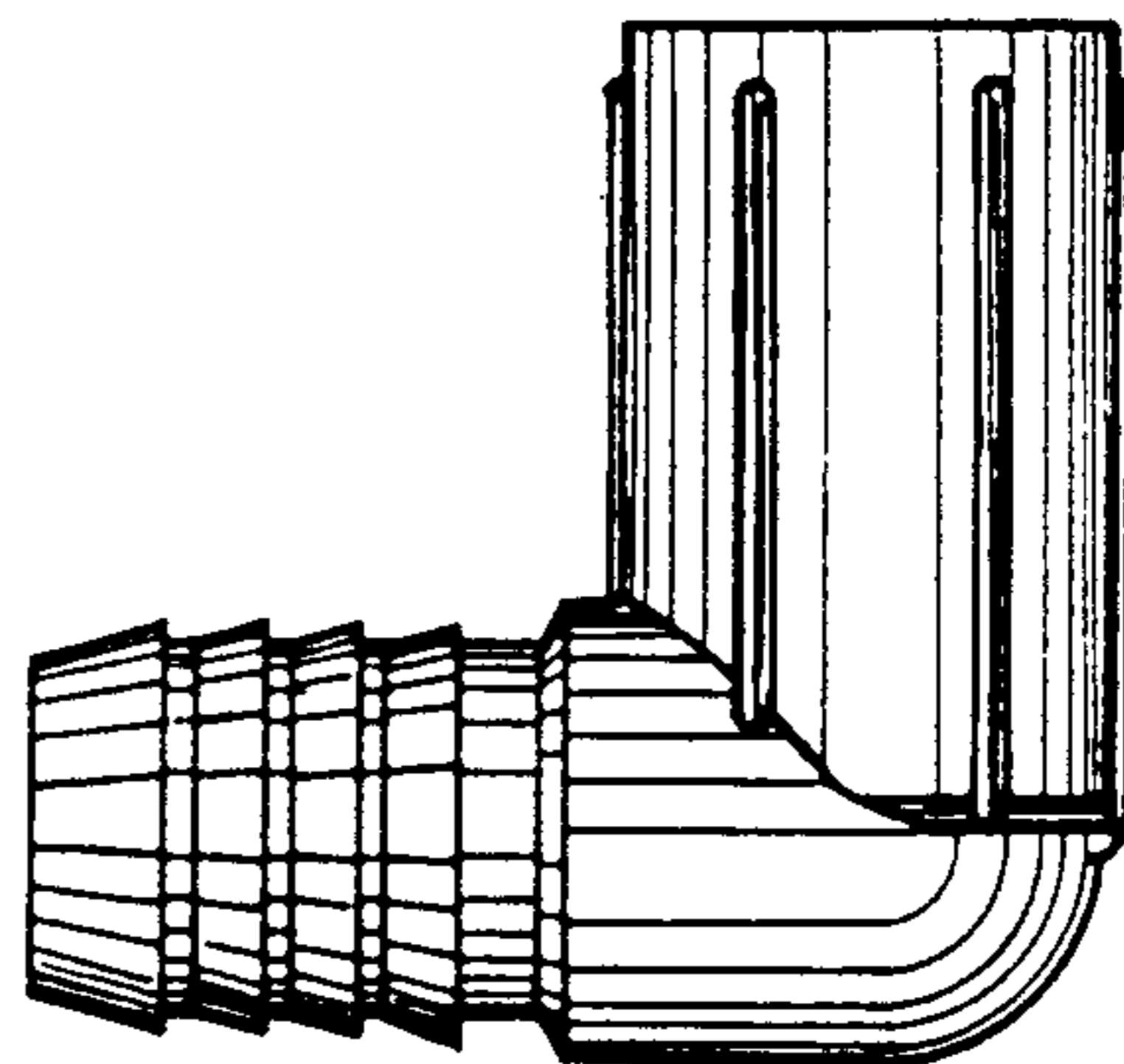


FIG-2

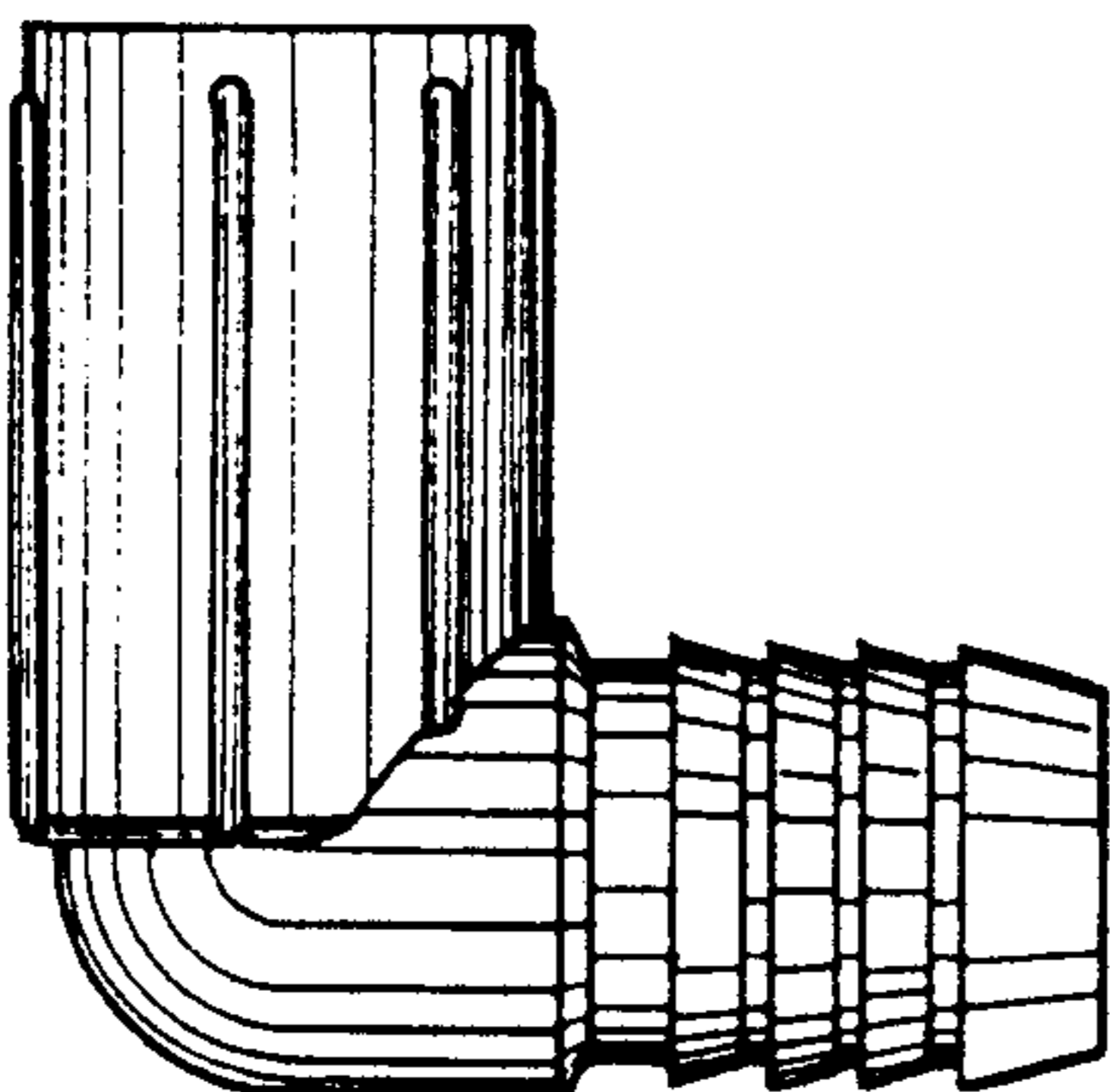


FIG-3

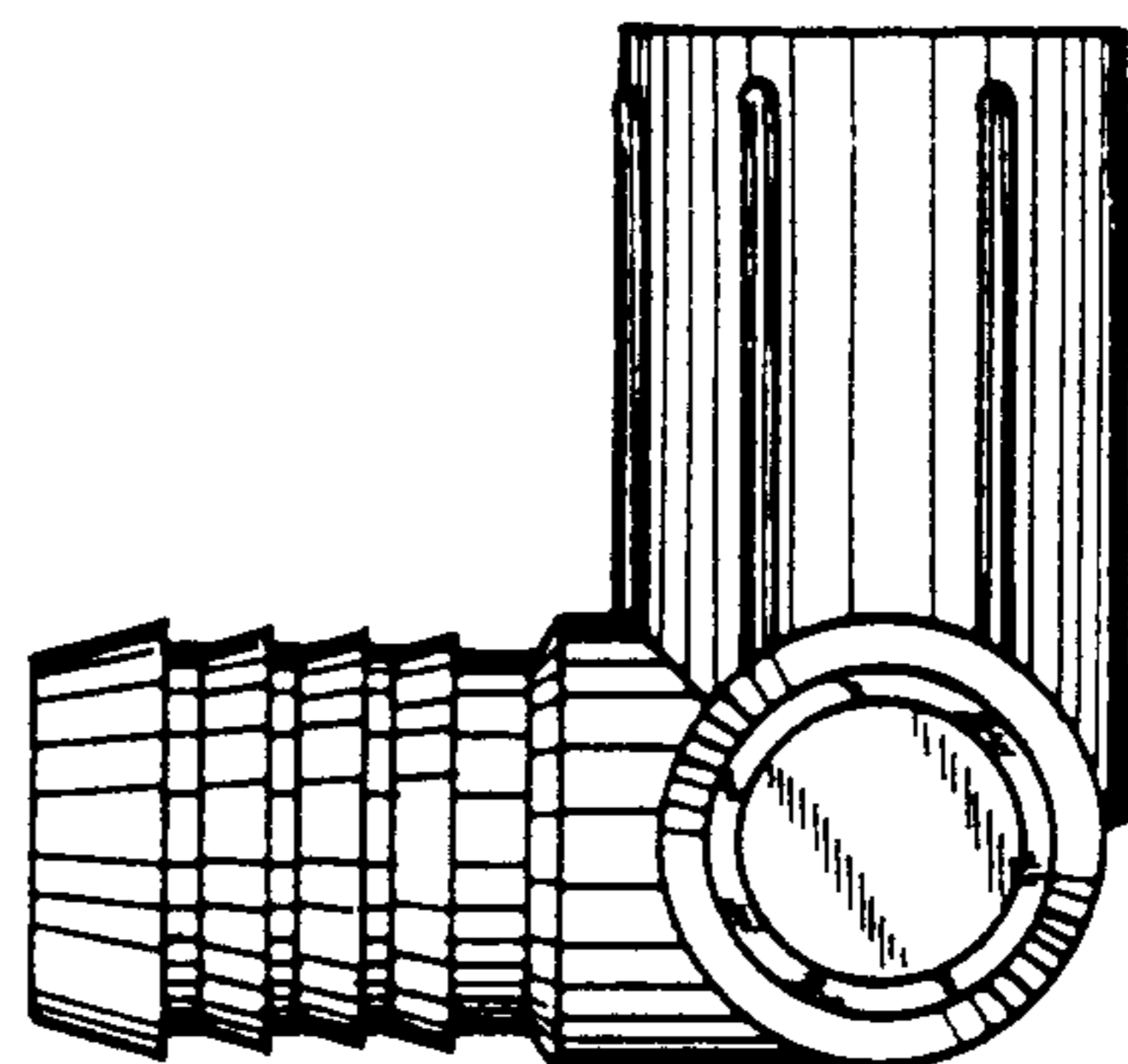


FIG-4

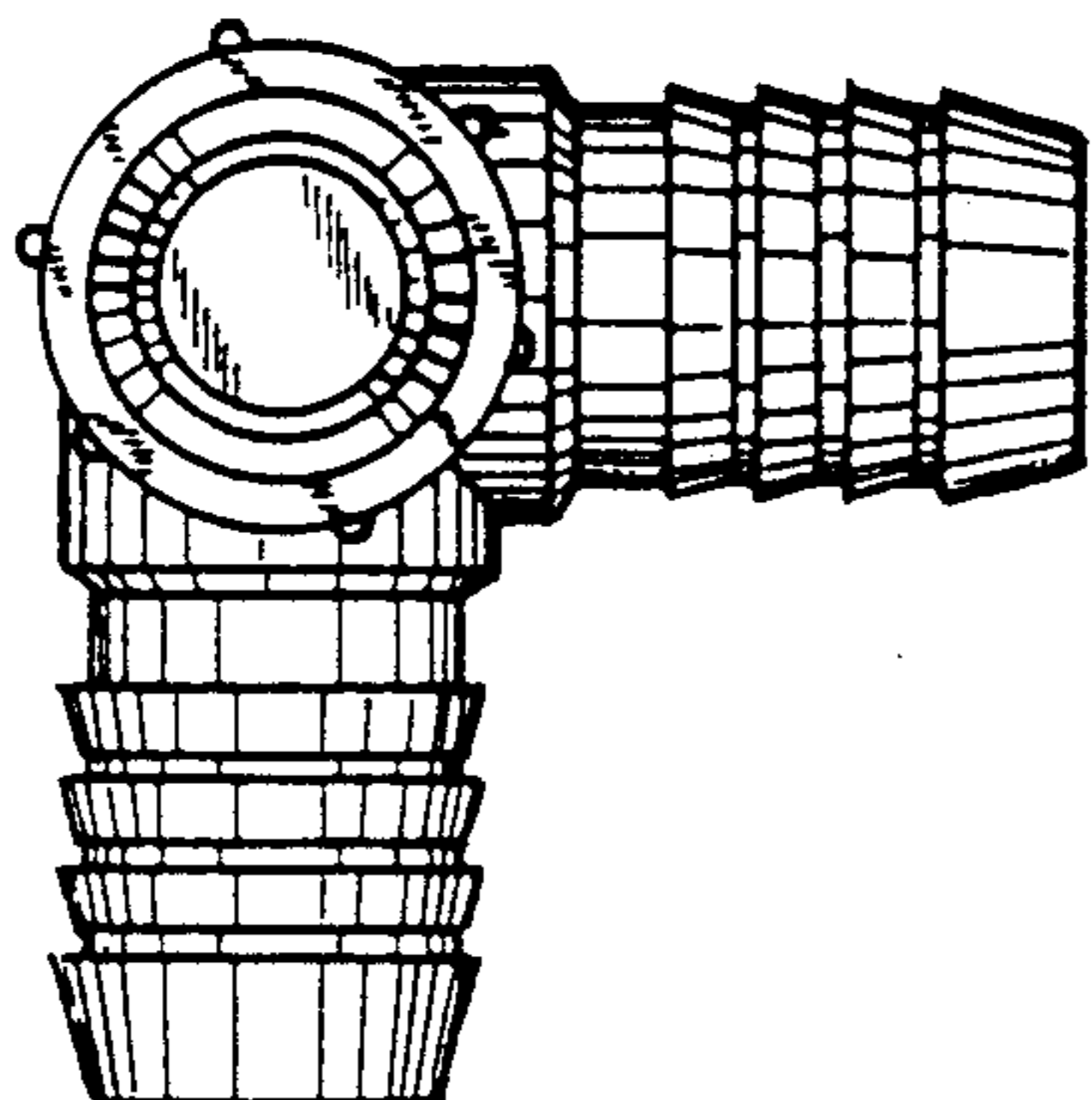


FIG-5

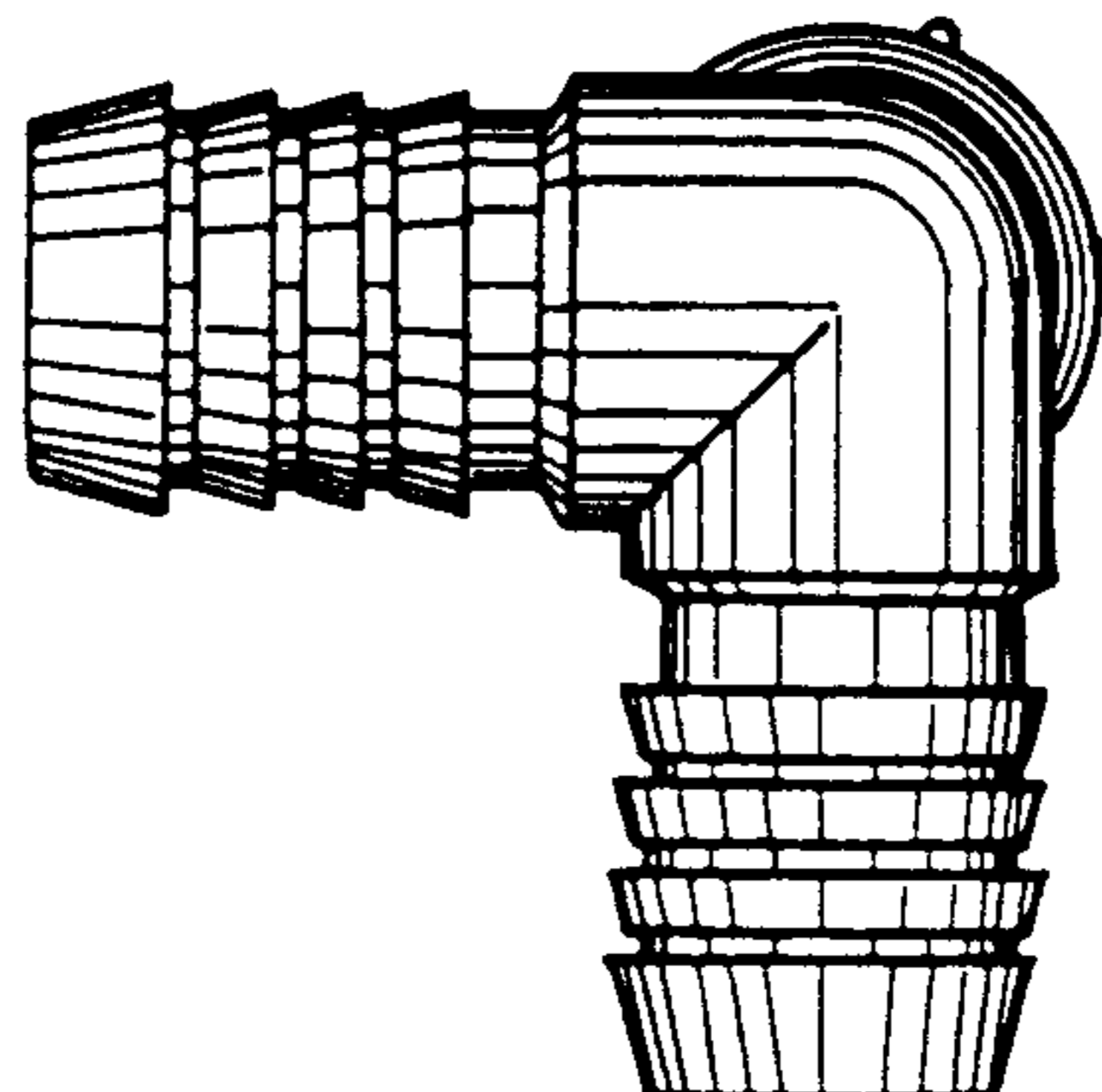


FIG-6