

[54] ELECTRIC STEERING WHEEL WARMER

2,537,606 1/1951 Steppan 219/204
4,549,069 10/1985 Oge 219/204

[76] Inventors: Royal O. Richards, 118 North 80th Terrace, Kansas City, Kans. 66111; Charles W. Barnard, Rte. 1, Box 85, Bendena, Kans. 66008

Primary Examiner—James M. Gandy
Assistant Examiner—Lisa Lichtenstein
Attorney, Agent, or Firm—Jerry T. Kearns

[**] Term: 14 Years

[57] CLAIM

[21] Appl. No.: 402,270

The ornamental design for an electric steering wheel warmer, as shown.

[22] Filed: Sep. 5, 1989

[52] U.S. Cl. D23/324

[58] Field of Search D23/324; 219/204, 552

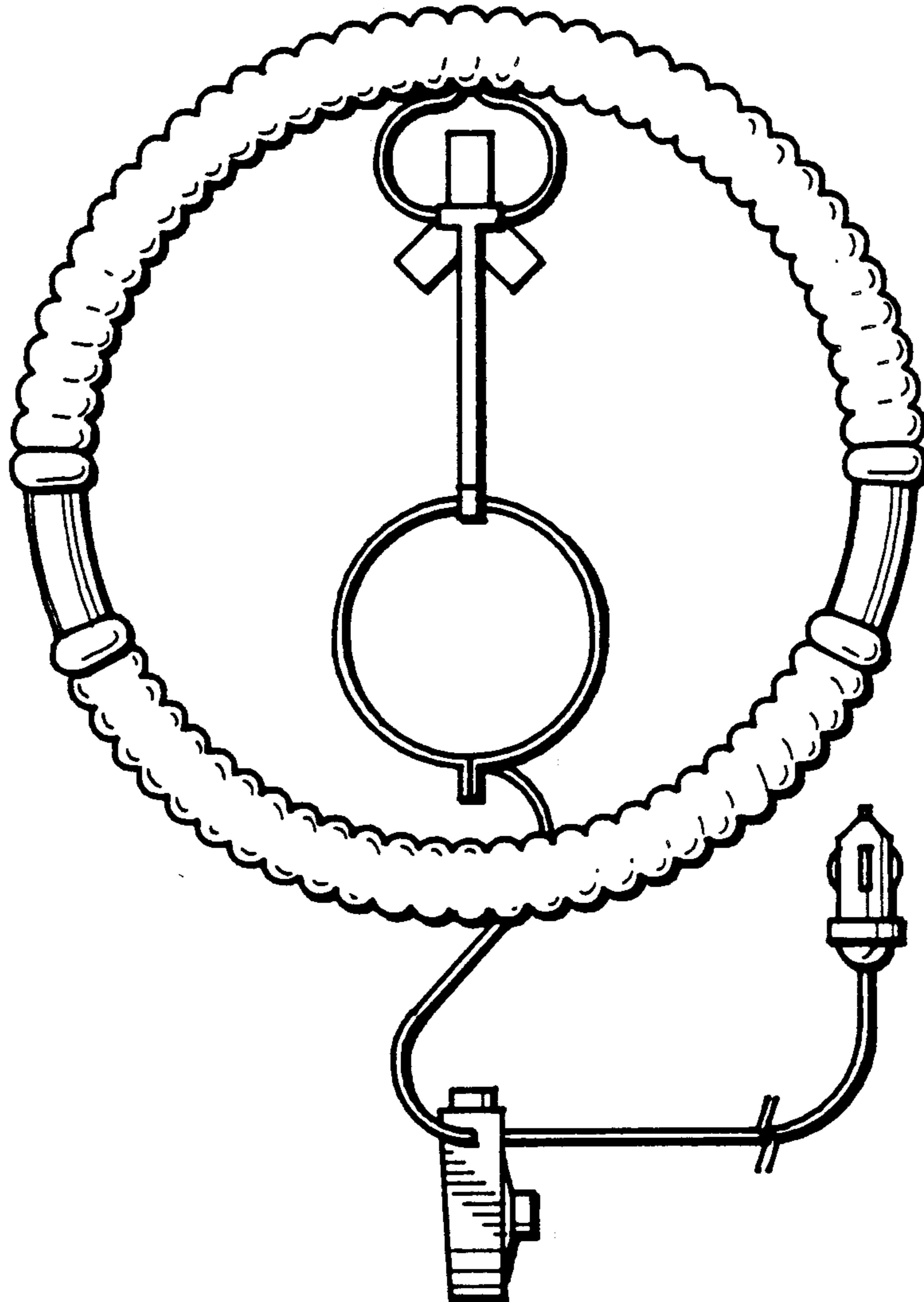
DESCRIPTION

[56] References Cited

FIG. 1 is a front elevational view of an electric steering wheel warmer showing our new design; FIG. 2 is a rear elevational view thereof; FIG. 3 is a left side elevational view thereof; FIG. 4 is a right side elevational view thereof; FIG. 5 is a top plan view thereof; and, FIG. 6 is a bottom plan view thereof.

U.S. PATENT DOCUMENTS

1,117,473 11/1914 Barton 219/204
1,269,776 6/1918 Barton 219/204
2,392,539 1/1946 Leible 219/204



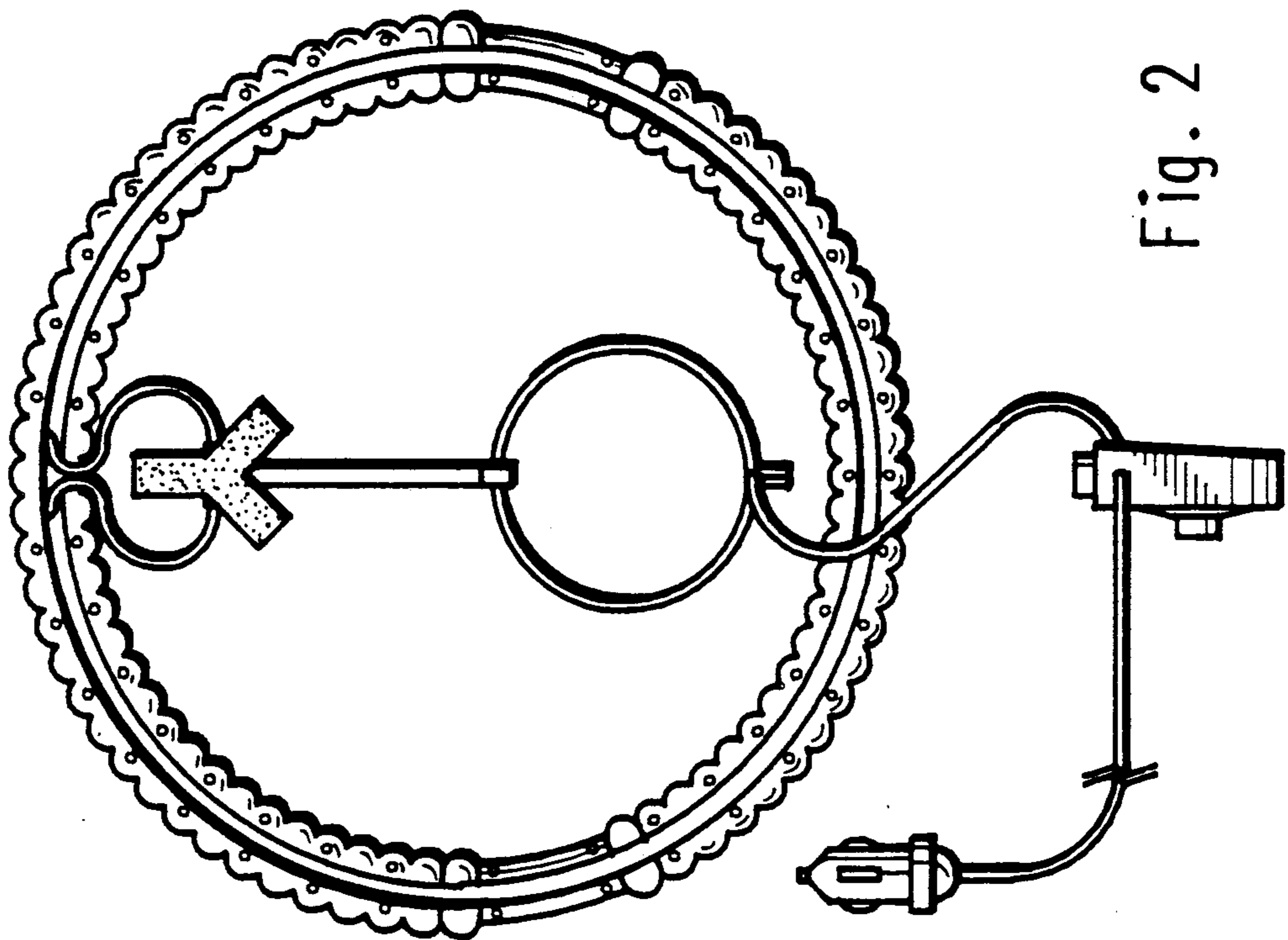


Fig. 2

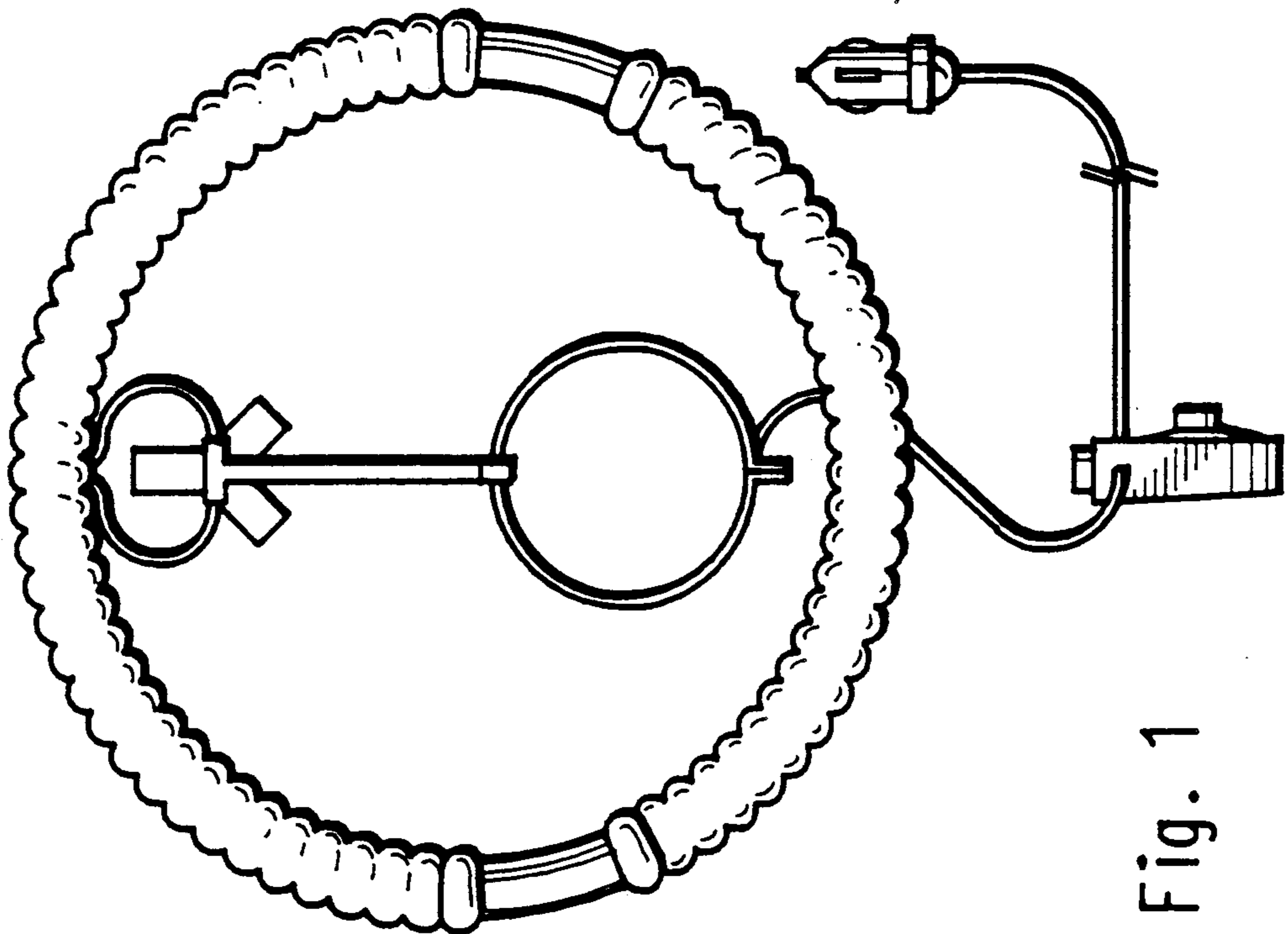


Fig. 1

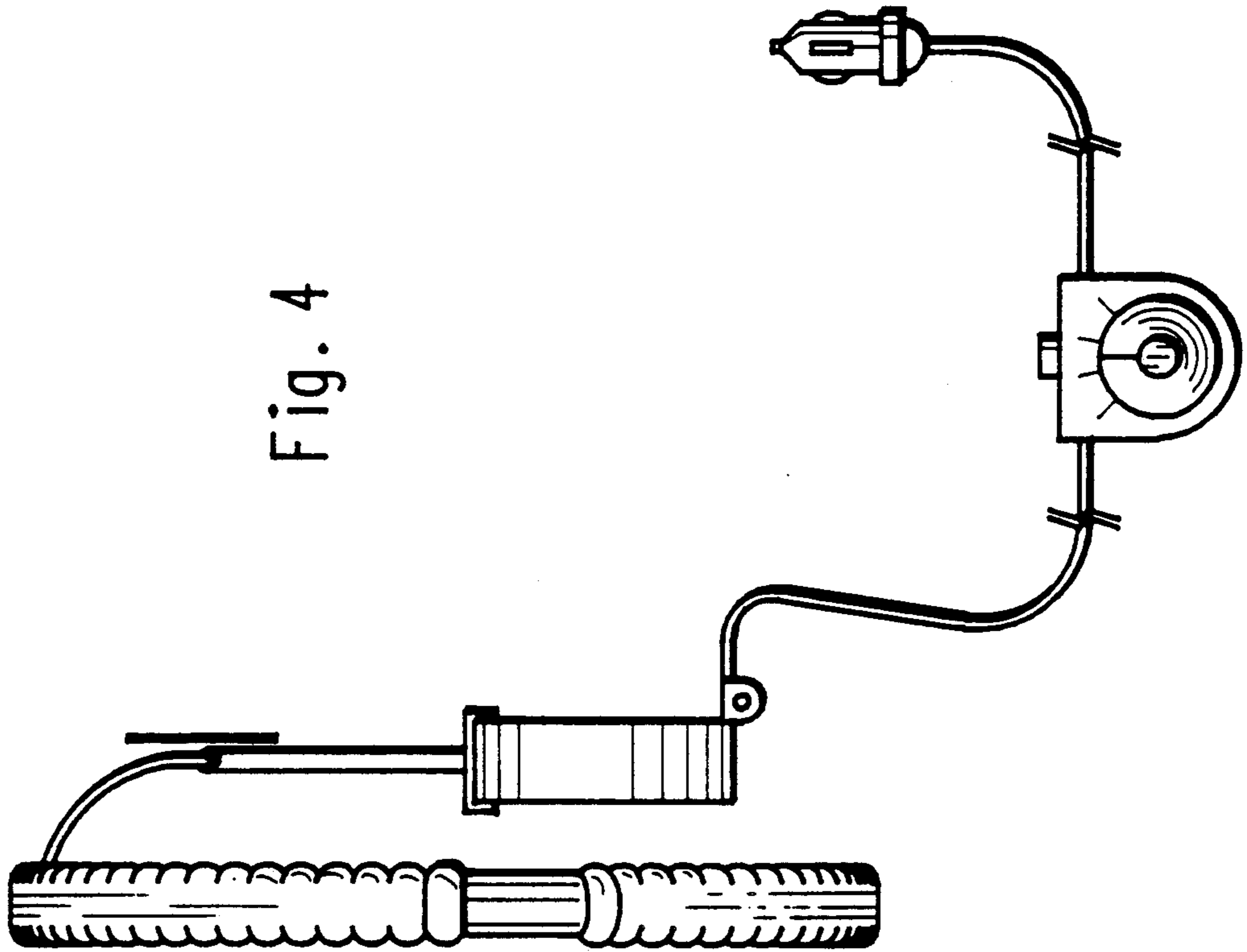


Fig. 4

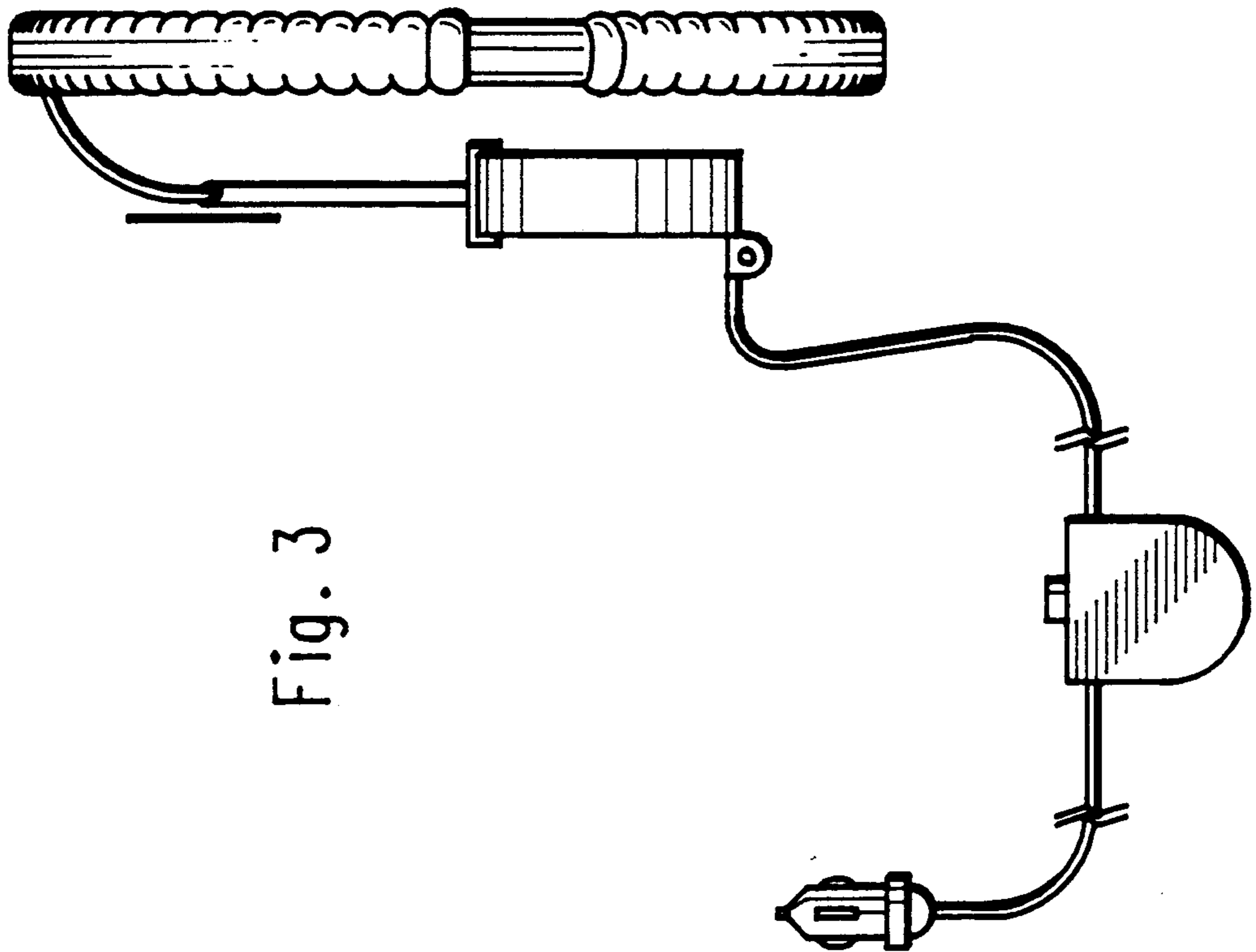


Fig. 3

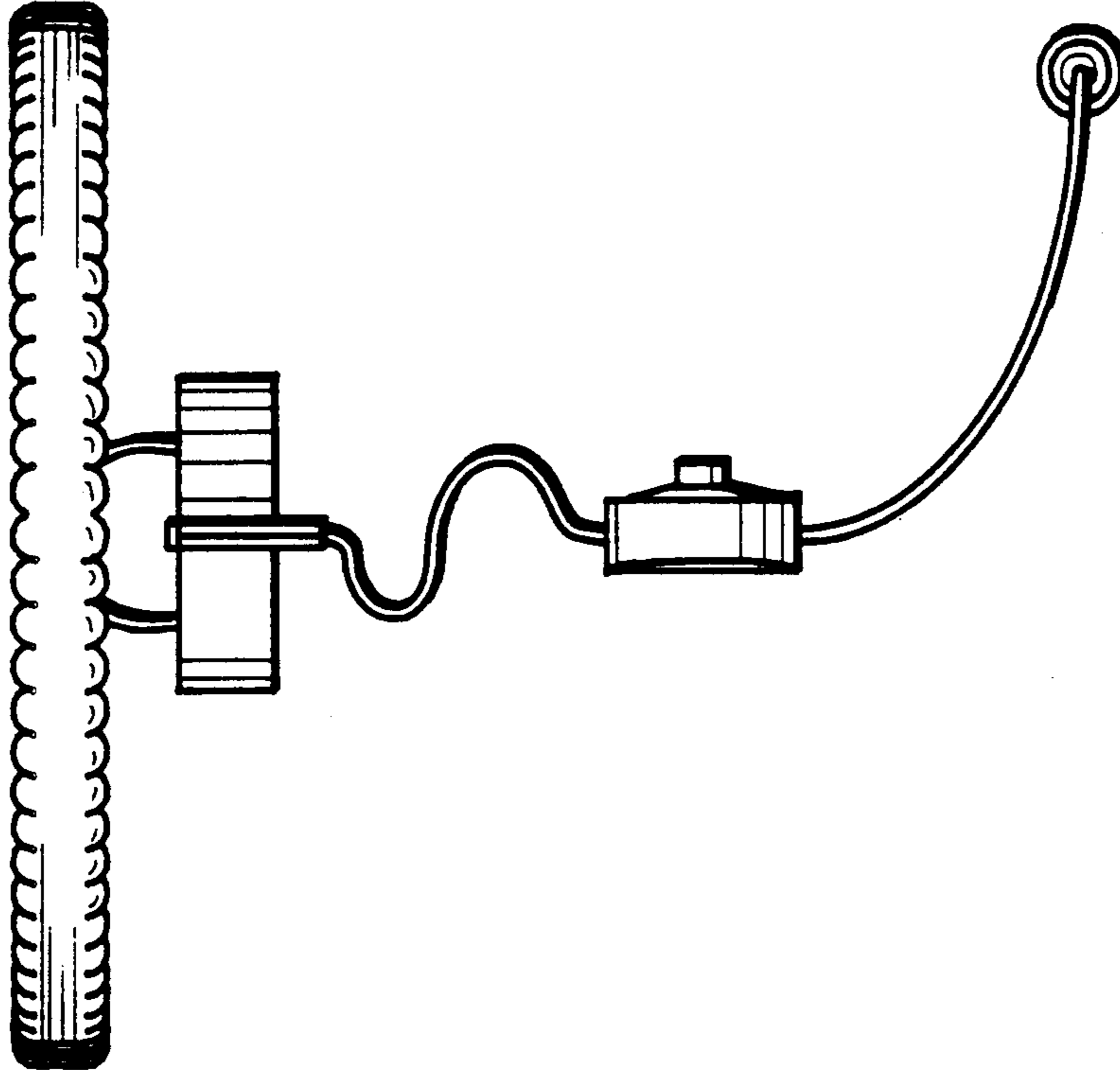


Fig. 6

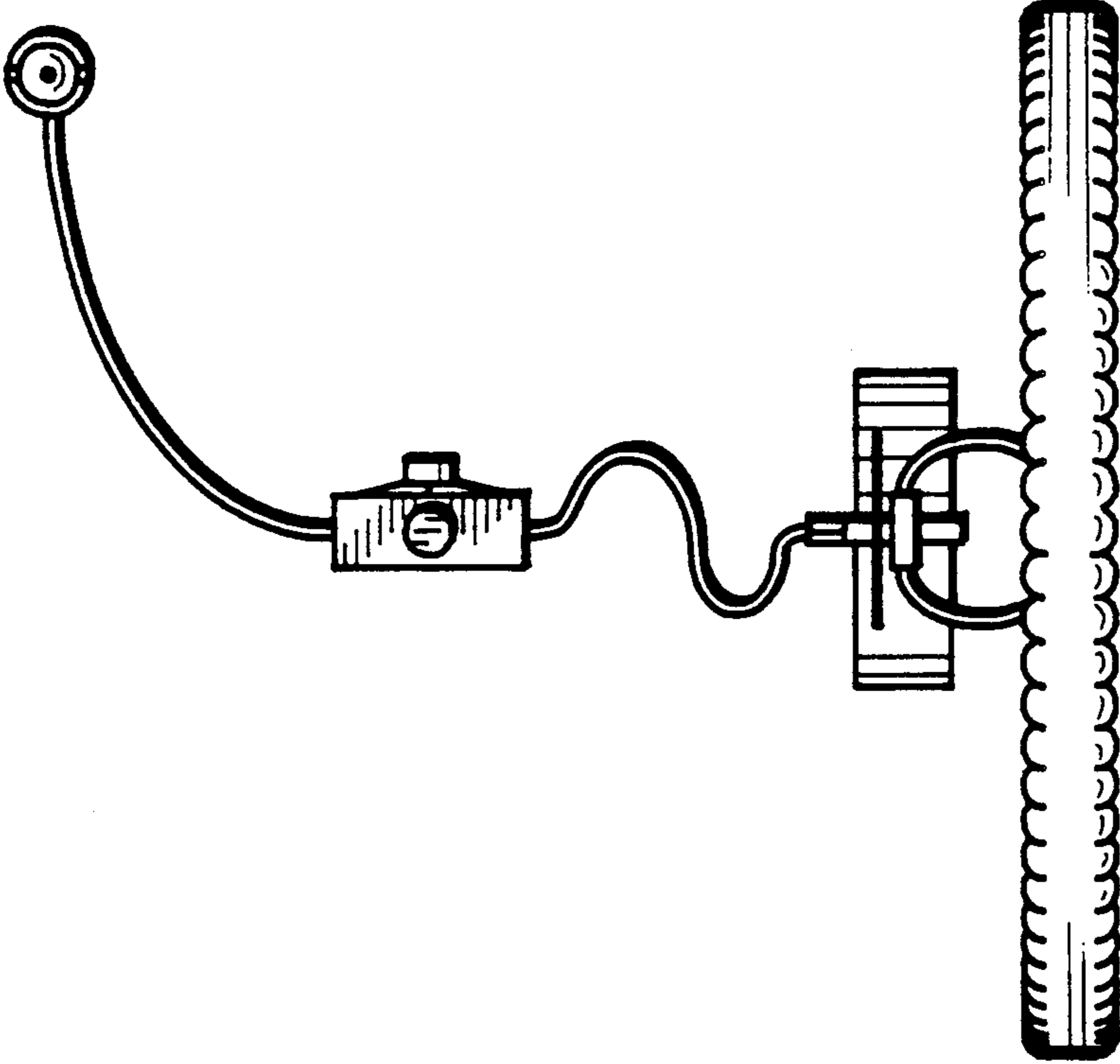


Fig. 5