

[54] SPRAYER

[75] Inventor: Franco Clivio, Zurich, Switzerland

[73] Assignee: Gardena Kress and Kastner GmbH, Fed. Rep. of Germany

[**] Term: 14 Years

[21] Appl. No.: 155,001

[22] Filed: Feb. 10, 1988

[30] Foreign Application Priority Data

Aug. 11, 1987 [DE] Fed. Rep. of Germany ... 3017/8703

[52] U.S. Cl. D23/226

[58] Field of Search D23/213, 223-227; D8/14.1, 68; 239/301, 332, 373, 394, 414-415, 525-528, 532, 554, 556, 690-691, 700-703

[56] References Cited

U.S. PATENT DOCUMENTS

- D. 142,260 5/1985 Europe .
- D. 185,187 5/1959 Beinert D23/226
- D. 297,351 8/1988 Kitts D23/226
- 2,937,813 5/1960 Rinkewich 239/526 X
- 2,991,945 7/1961 Rosenkranz 239/526
- 4,448,355 5/1984 Roman 239/526

OTHER PUBLICATIONS

- Rain Bird Gartenberegnung Brochure, Rain Bird Europe s.a.r.l.
- Simple Guide to Selecting the Right Neta, Click-On Fittings for your Needs Brochure.
- Nelson 1988, Lawn and Garden Catalog.
- Uniflex, '87 Catalog.
- Marina Garden Line Catalog.

- Gilmour 1985, Lawn & Garden Catalog.
- Sherman Lawn Watering, Industrial & Plumbing Products 1983, Catalog.
- Hoze Lock-Asl Garden Products Catalog.
- Claber, Garden Life Catalog.
- Ipierre Sirotext Garden Catalog.
- Melnor Time-A-Matic Programmierbare, Automatische Garten regner.

Primary Examiner—Susan J. Lucas
 Assistant Examiner—M. H. Tung
 Attorney, Agent, or Firm—Eckert, Seamans, Cherin & Mellott

[57] CLAIM

The ornamental design for a sprayer, as shown and described.

DESCRIPTION

- FIG. 1 is a top perspective view of a sprayer showing my new design;
- FIG. 2 is a side elevational view thereof;
- FIG. 3 is a bottom plan view thereof;
- FIG. 4 is a top plan view thereof;
- FIG. 5 is an opposite side elevational view thereof;
- FIG. 6 is a rear elevational view thereof;
- FIG. 7 is a front elevational view thereof;
- FIG. 8 is a top perspective view of a second embodiment thereof;
- FIG. 9 is a side elevational view thereof;
- FIG. 10 is a bottom plan view thereof;
- FIG. 11 is a top plan view thereof;
- FIG. 12 is an opposite side elevational view thereof;
- FIG. 13 is a rear elevational view thereof;
- FIG. 14 is a front elevational view thereof.

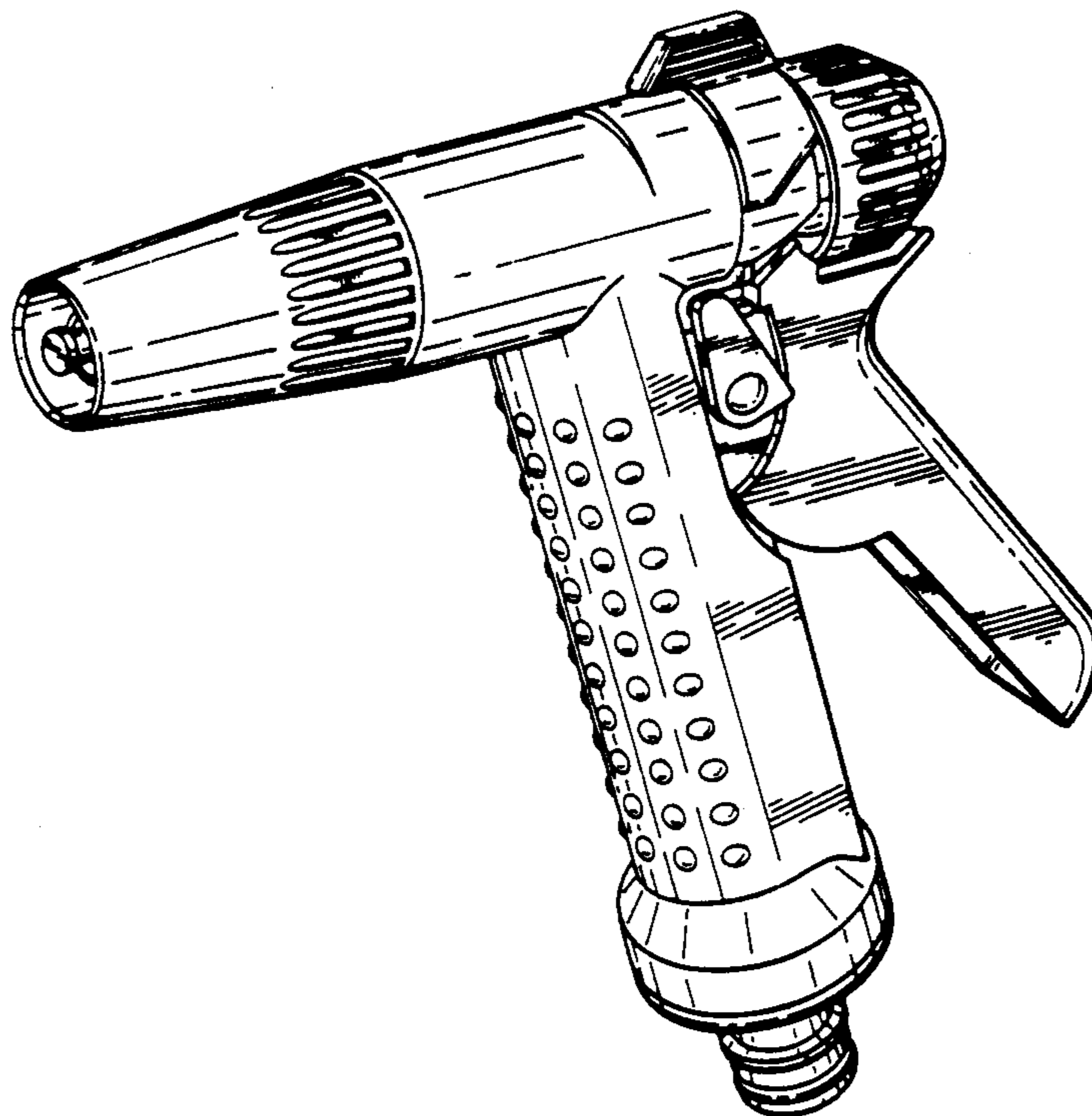
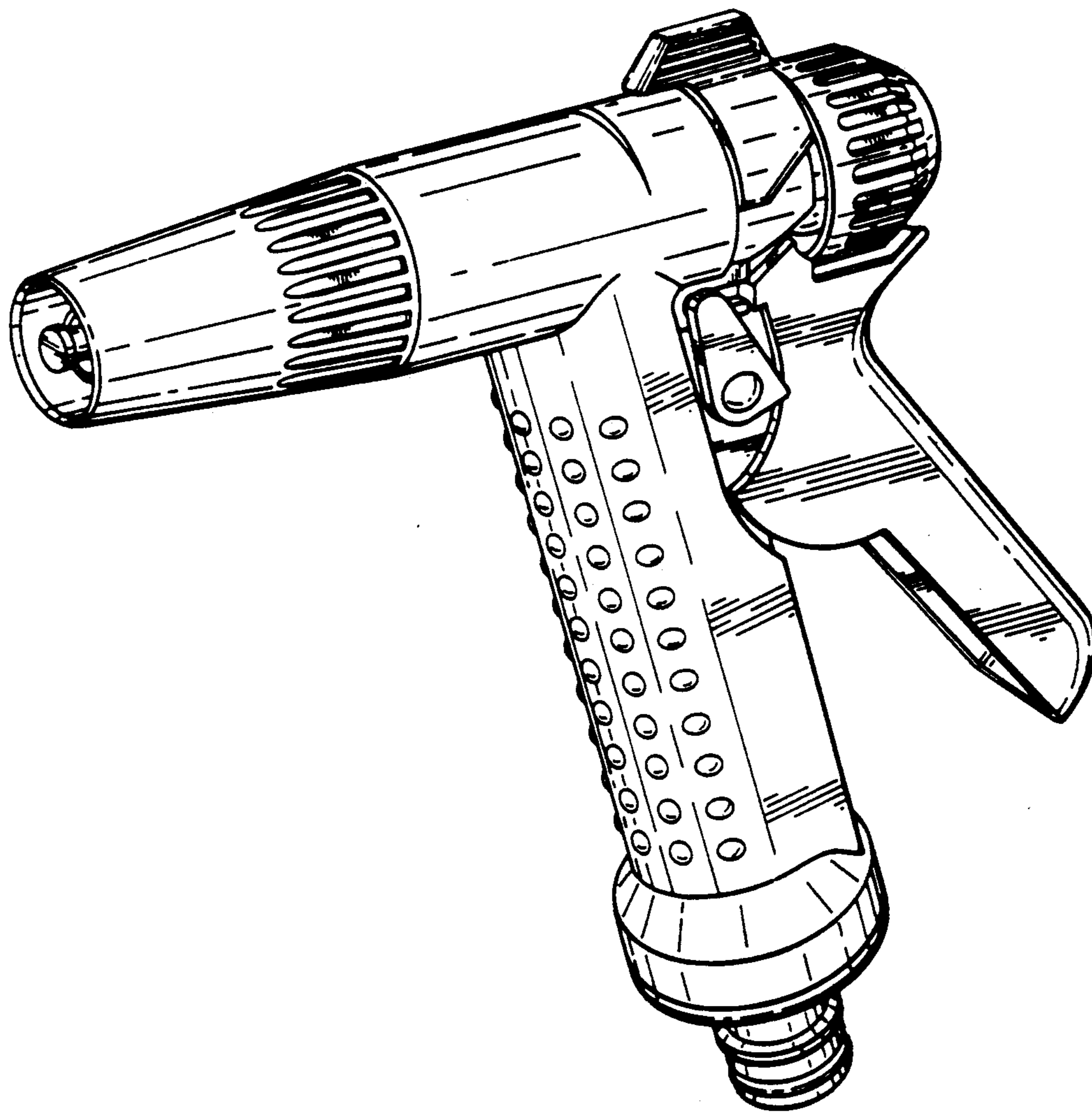


FIG. 1



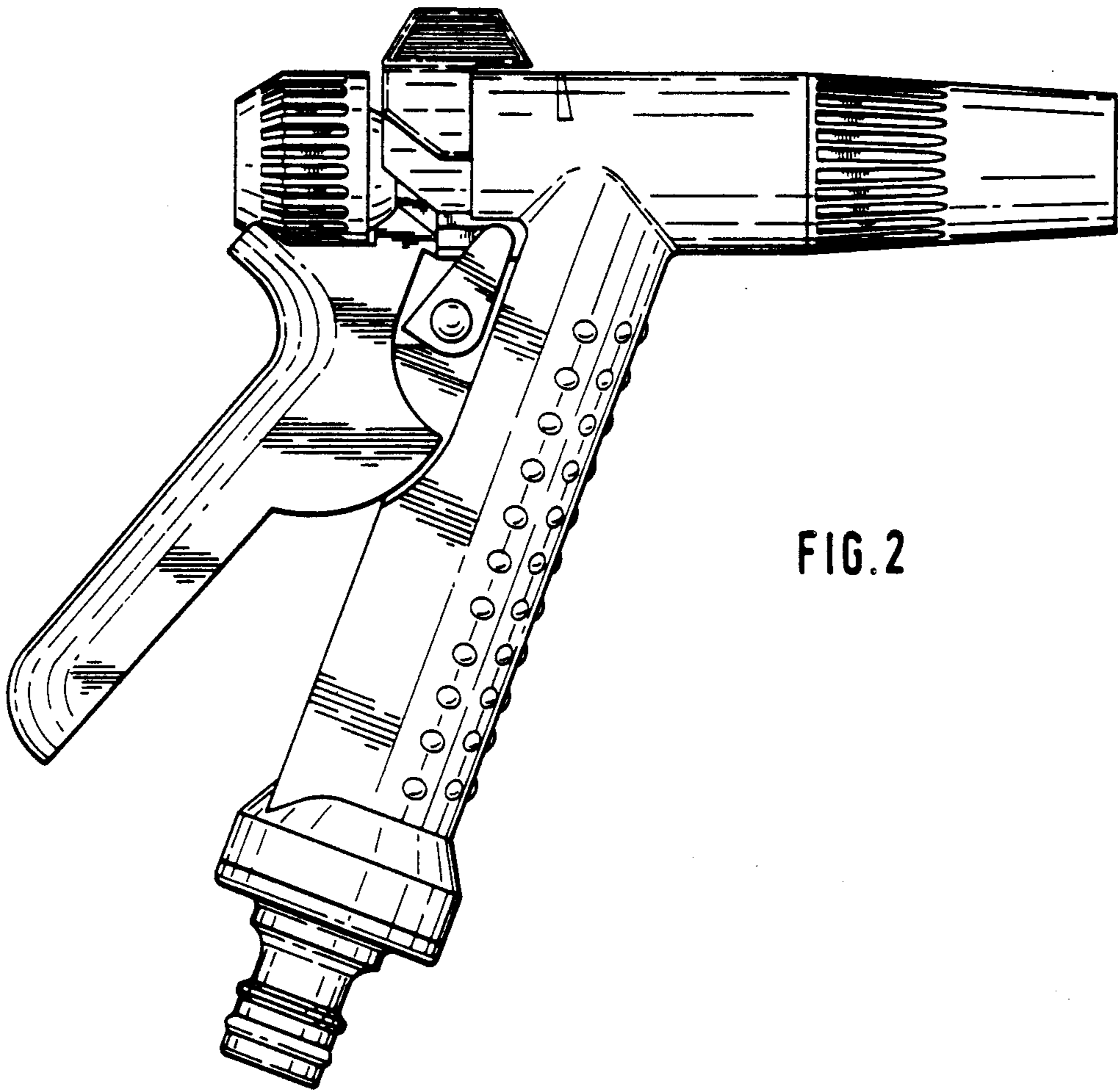


FIG. 2

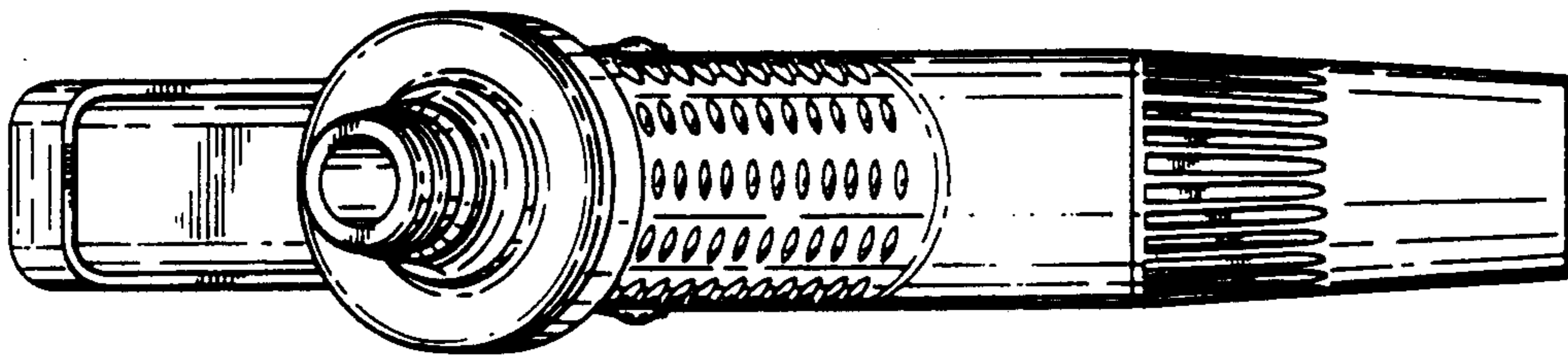


FIG. 3

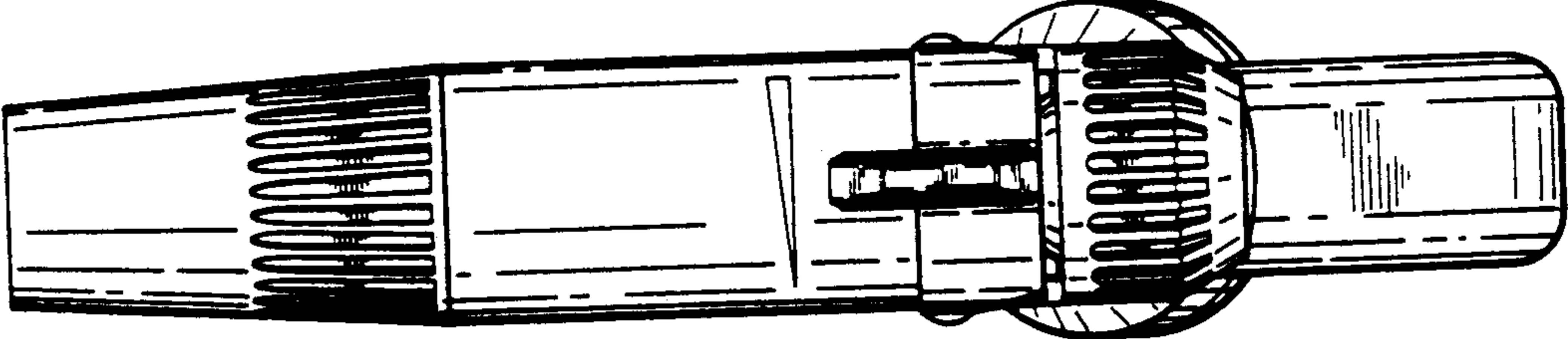


FIG. 4

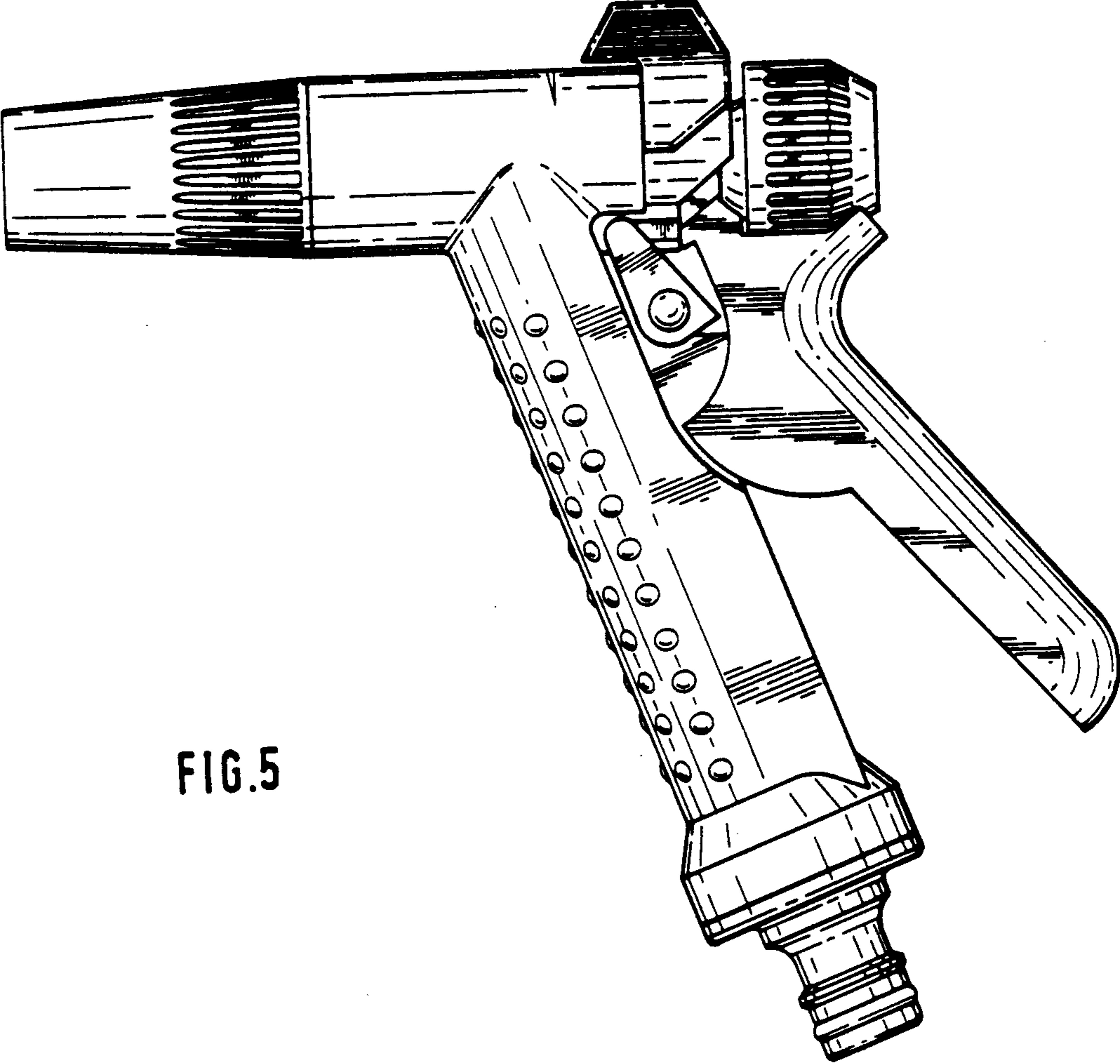


FIG. 5

FIG. 6

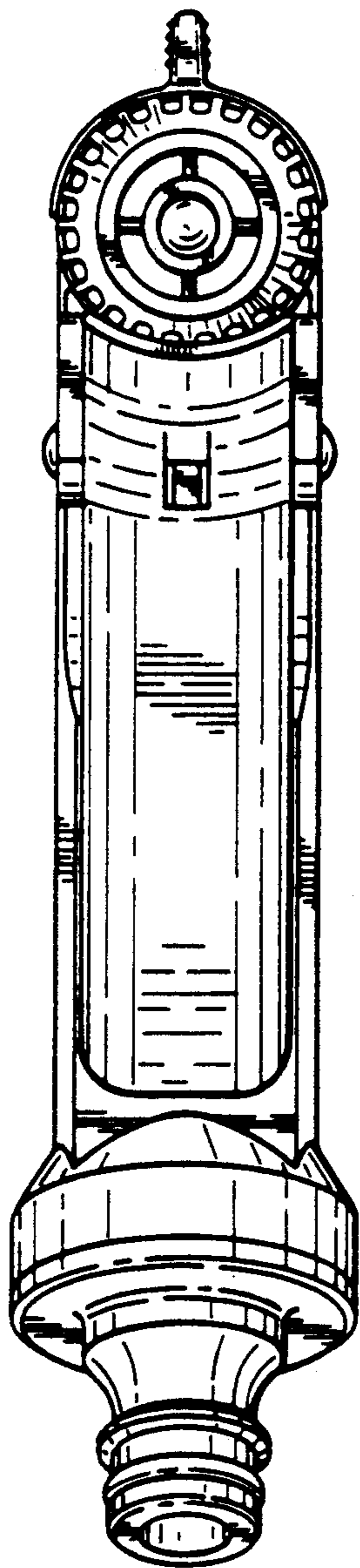


FIG. 7

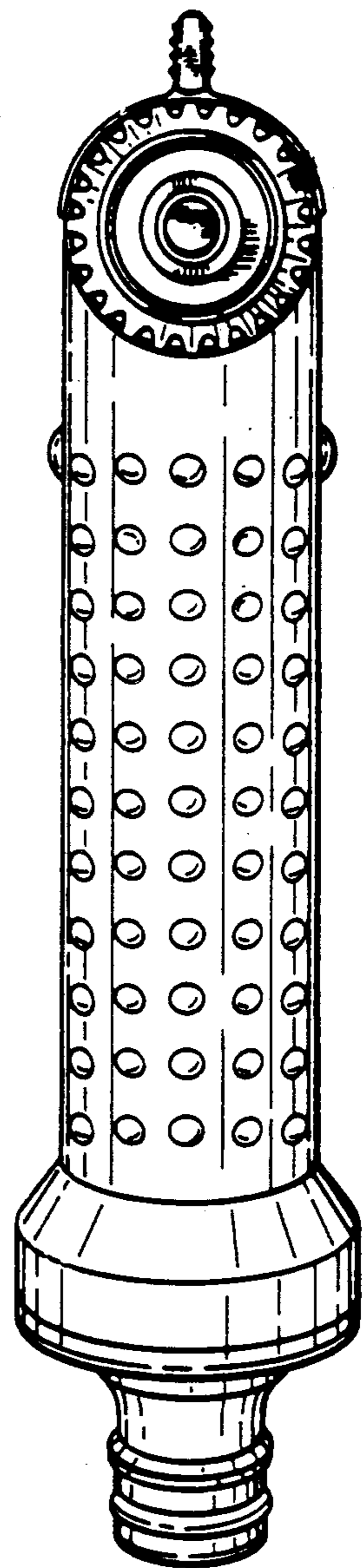
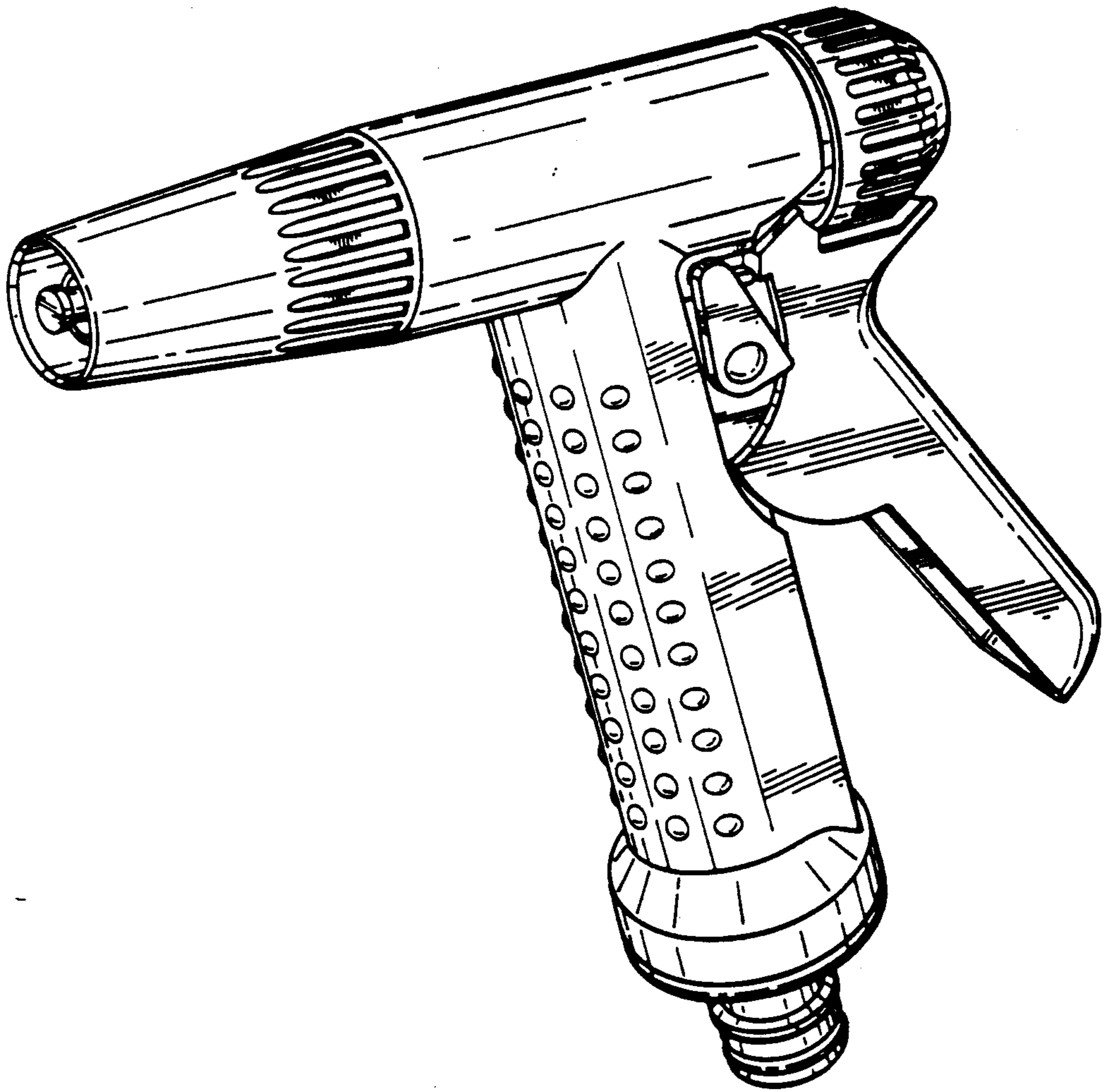


FIG. 8



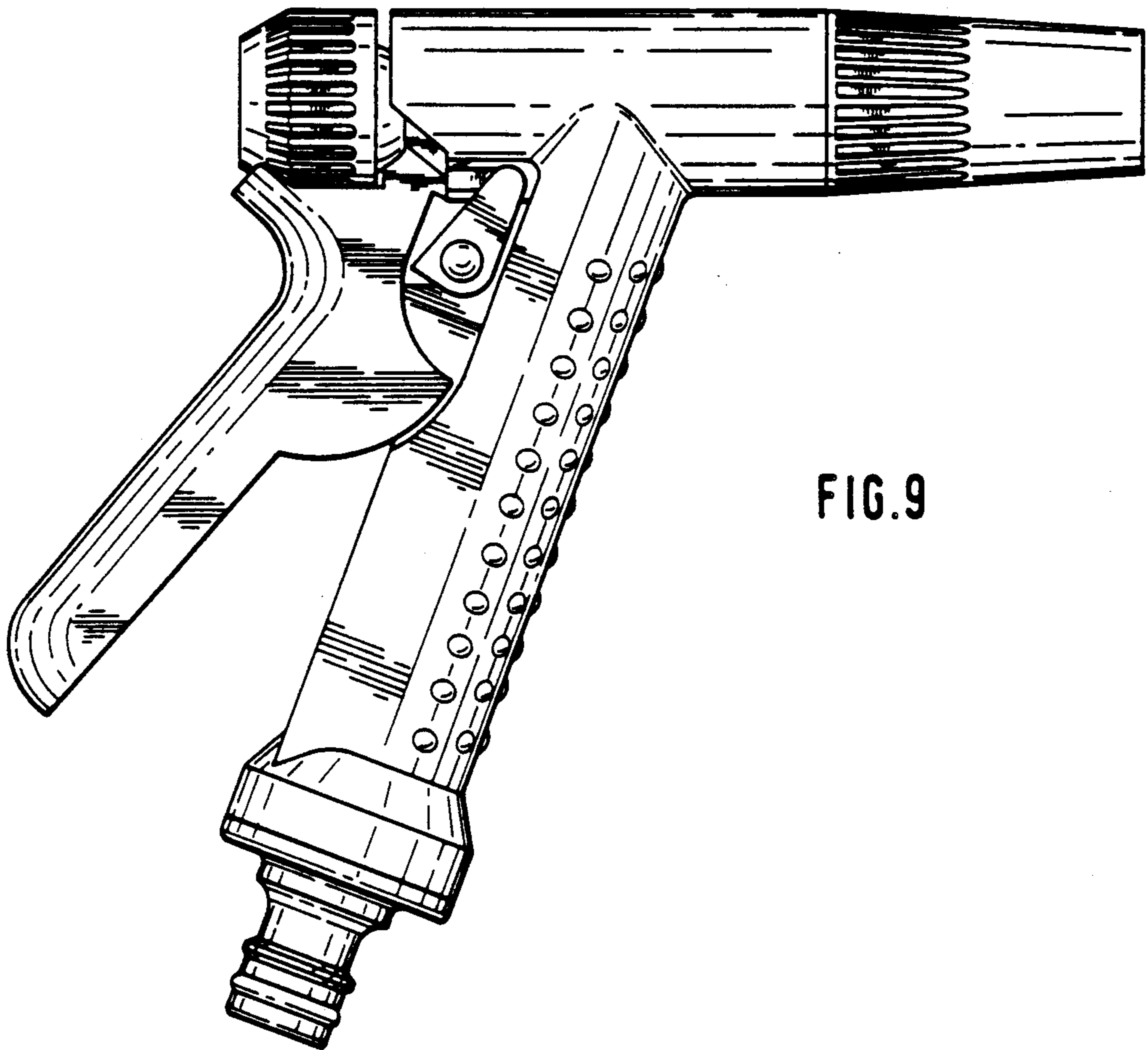


FIG. 9

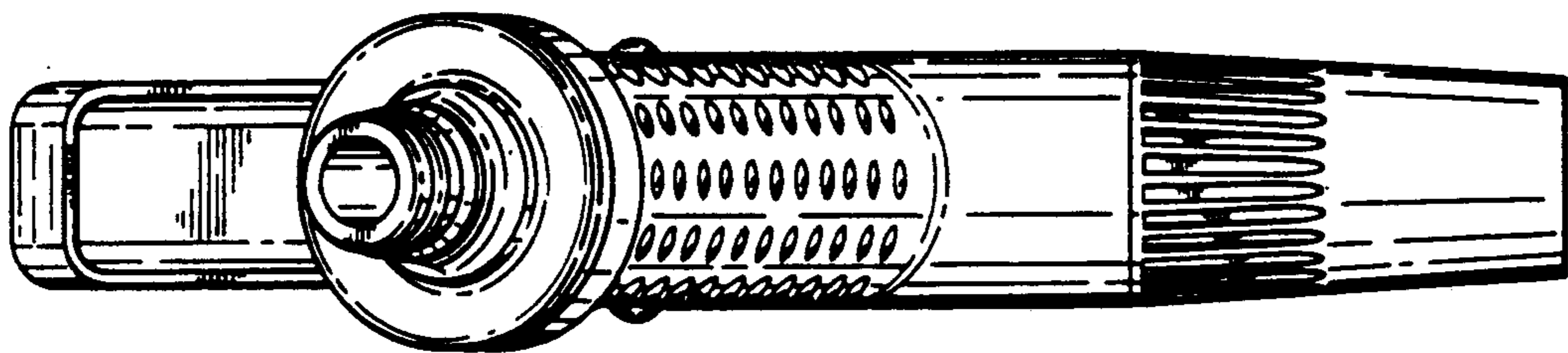


FIG. 10

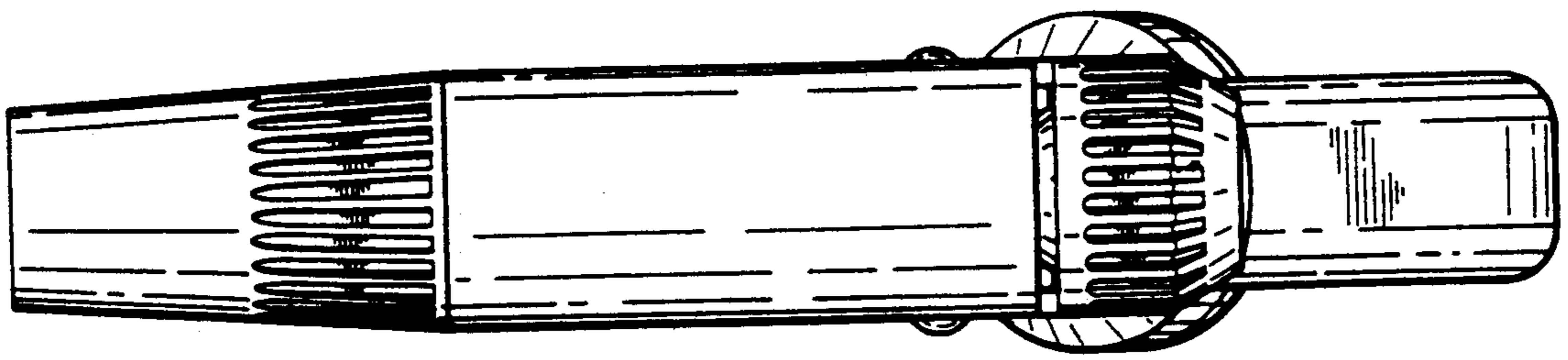


FIG.11

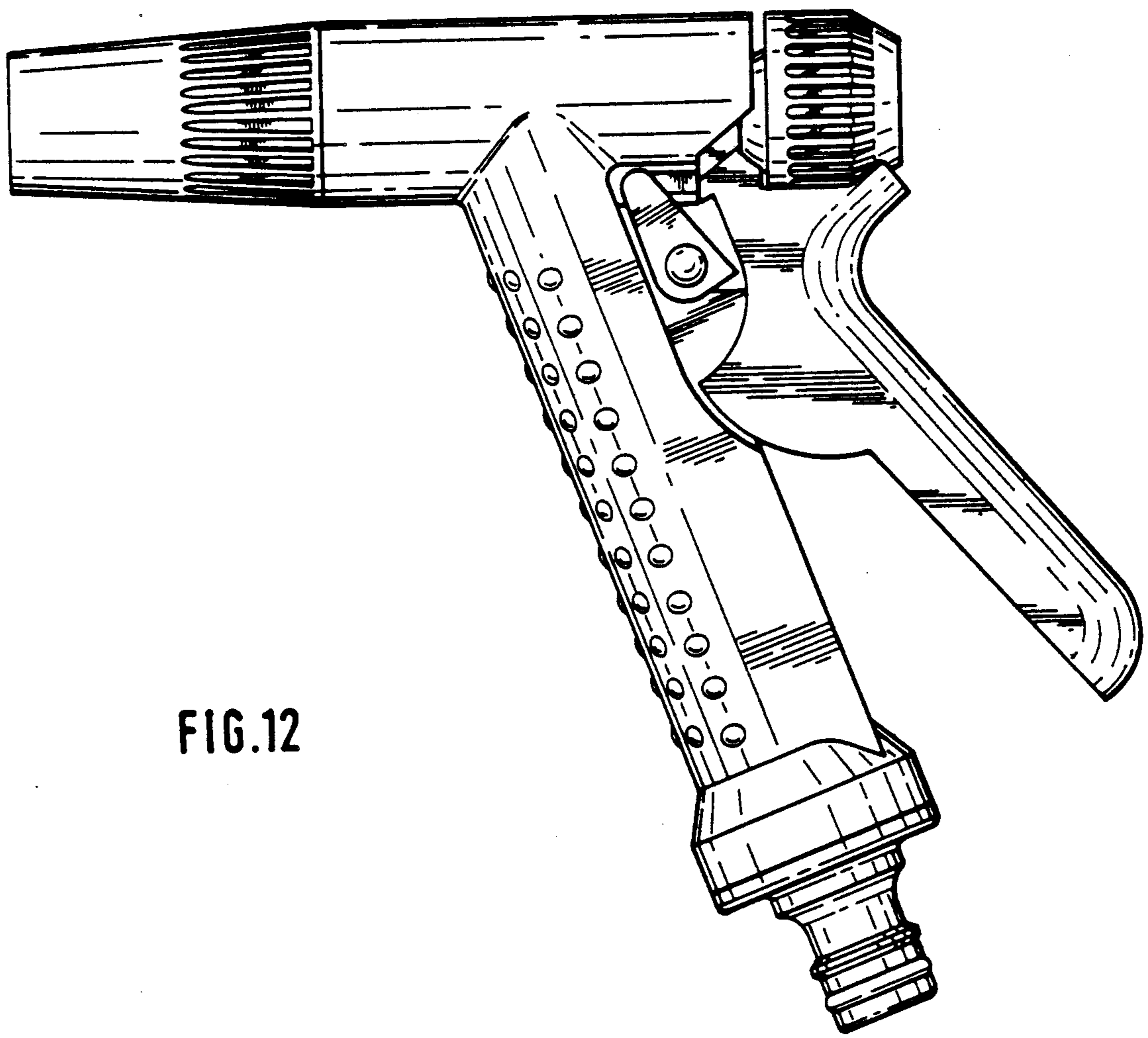


FIG.12

FIG.13

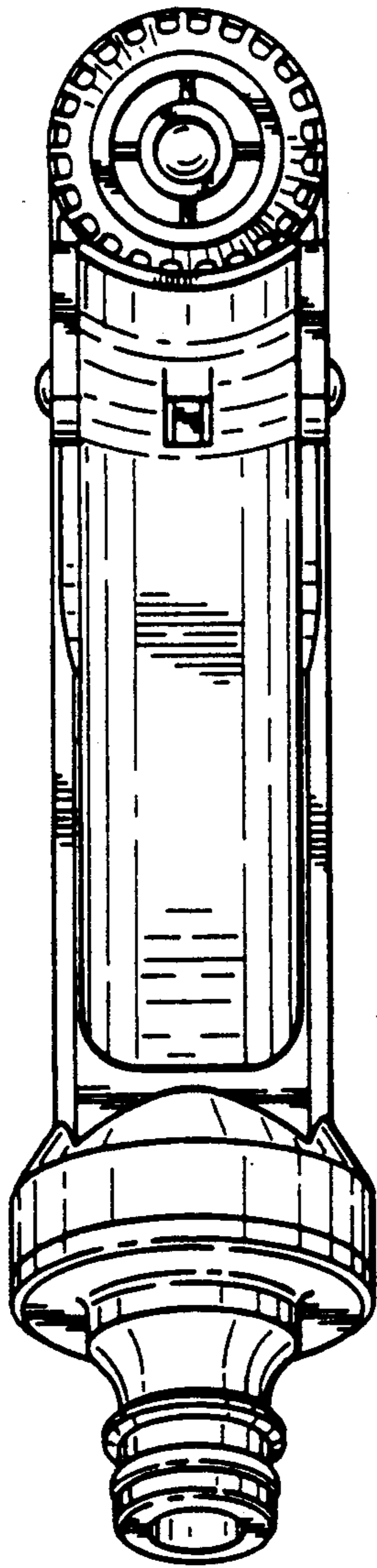


FIG.14

