

[54] ATTACHMENT FOR PAINT CONTAINER

[75] Inventors: Richard S. Hart, Elgin; Jeffrey D. Bransky, Clarendon, both of Ill.

[73] Assignee: E. I. Du Pont de Nemours and Company, Wilmington, Del.

[**] Term: 14 Years

[21] Appl. No.: 290,910

[22] Filed: Dec. 28, 1988

[52] U.S. Cl. D23/223; D9/434; D32/54

[58] Field of Search D9/434-436, D9/448-449; D23/223-227; D32/53, 54; 220/85 R; 239/119, 215, 302, 305, 318, DIG. 14

[56] References Cited

U.S. PATENT DOCUMENTS

D. 286,508	11/1986	Tilden	D9/435
D. 287,469	12/1986	Weinberger	D9/435
1,865,736	7/1932	Astley	220/85 R X
2,051,518	8/1936	Cunningham	239/302 X
2,228,861	1/1941	Wegener	239/302
2,625,433	1/1953	Vose	239/119
2,873,052	2/1959	Atherton	D9/449
3,136,486	6/1964	Docken	239/346

3,227,305	1/1966	Enssle	220/63
3,593,921	7/1971	Boltic	239/318
3,714,967	2/1973	Zupan et al.	137/588
4,151,929	5/1979	Sapien	220/404
4,405,088	9/1983	Gray	239/302
4,431,326	2/1984	Braithwaite et al.	401/188 R
4,457,642	3/1984	Braithwaite et al.	401/188 R
4,537,334	8/1985	Spengler et al.	222/401
4,552,477	11/1985	Braithwaite et al.	401/188 R

FOREIGN PATENT DOCUMENTS

418970	2/1967	Switzerland	220/85 R
--------	--------	-------------------	----------

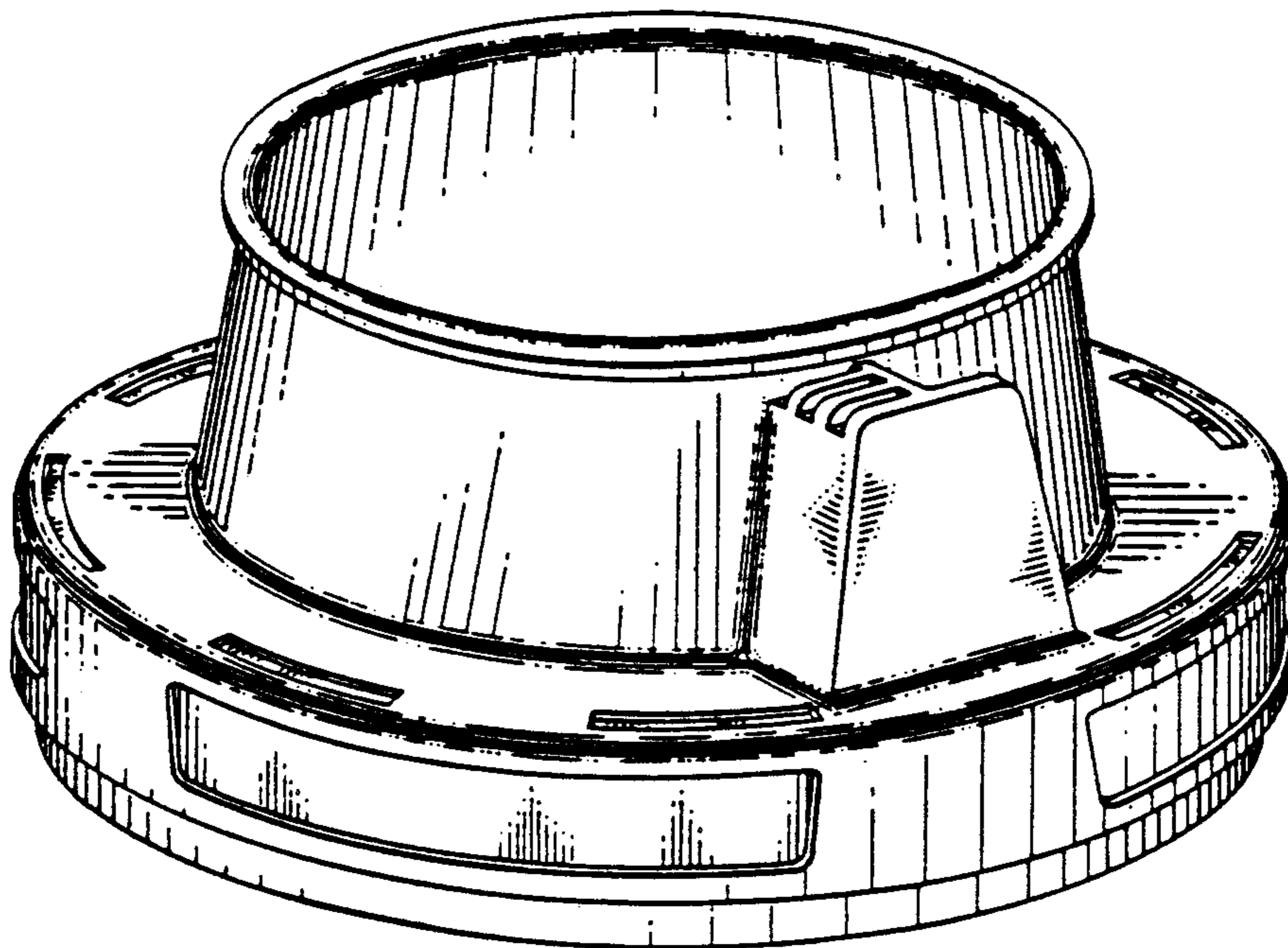
Primary Examiner—Wallace R. Burke
Assistant Examiner—Lavone D. Tabor
Attorney, Agent, or Firm—Hilmar L. Fricke

[57] CLAIM

The ornamental design for an attachment for a container, as shown and described.

DESCRIPTION

FIG. 1 is a perspective view of an attachment for a paint container showing our new design; FIG. 2 is a top plan view thereof; FIG. 3 is a side elevational view, the opposite side being a mirror image thereof; and FIG. 4 is a front elevational view, the rear being a mirror image thereof.



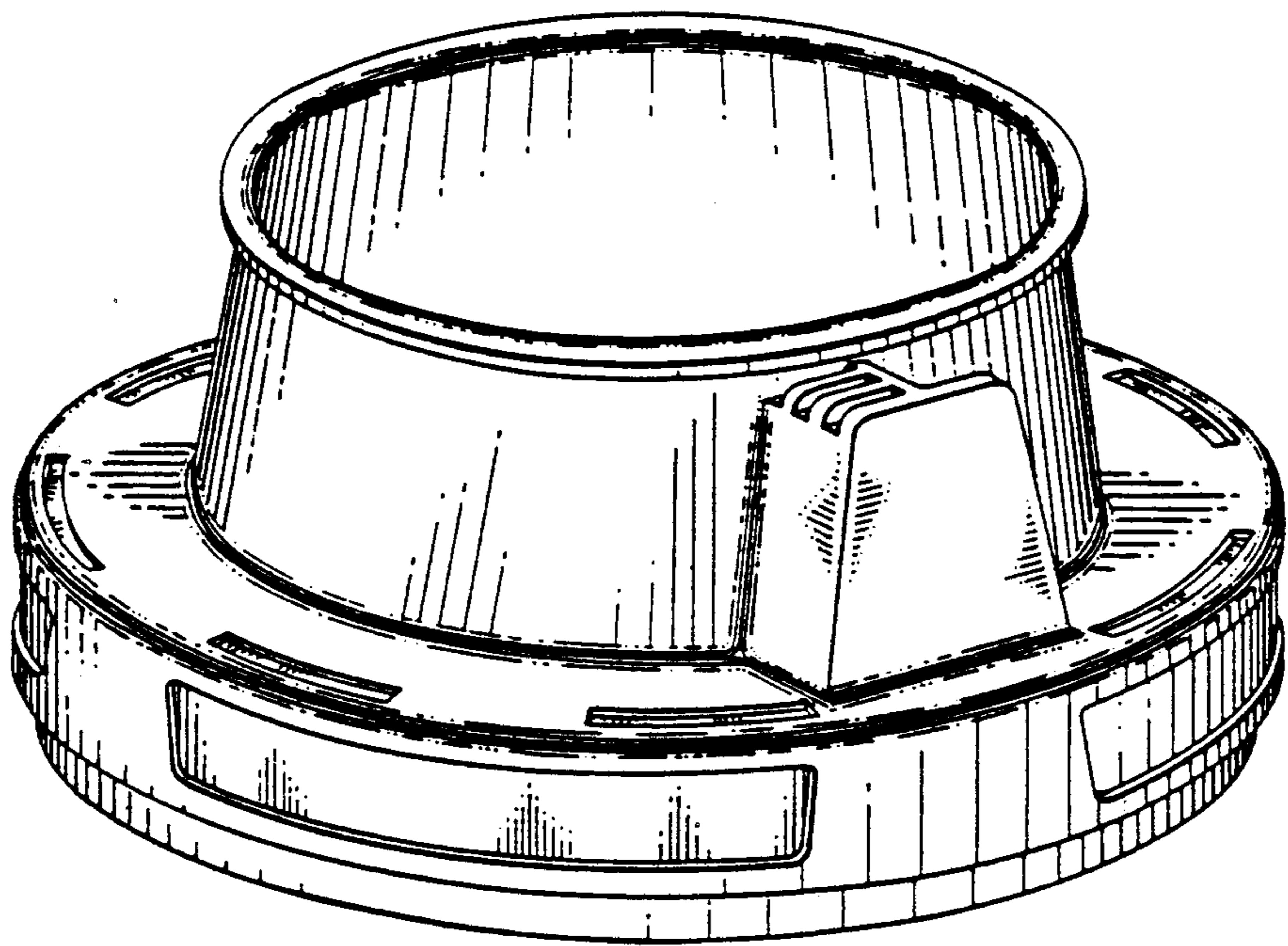


FIG. 1

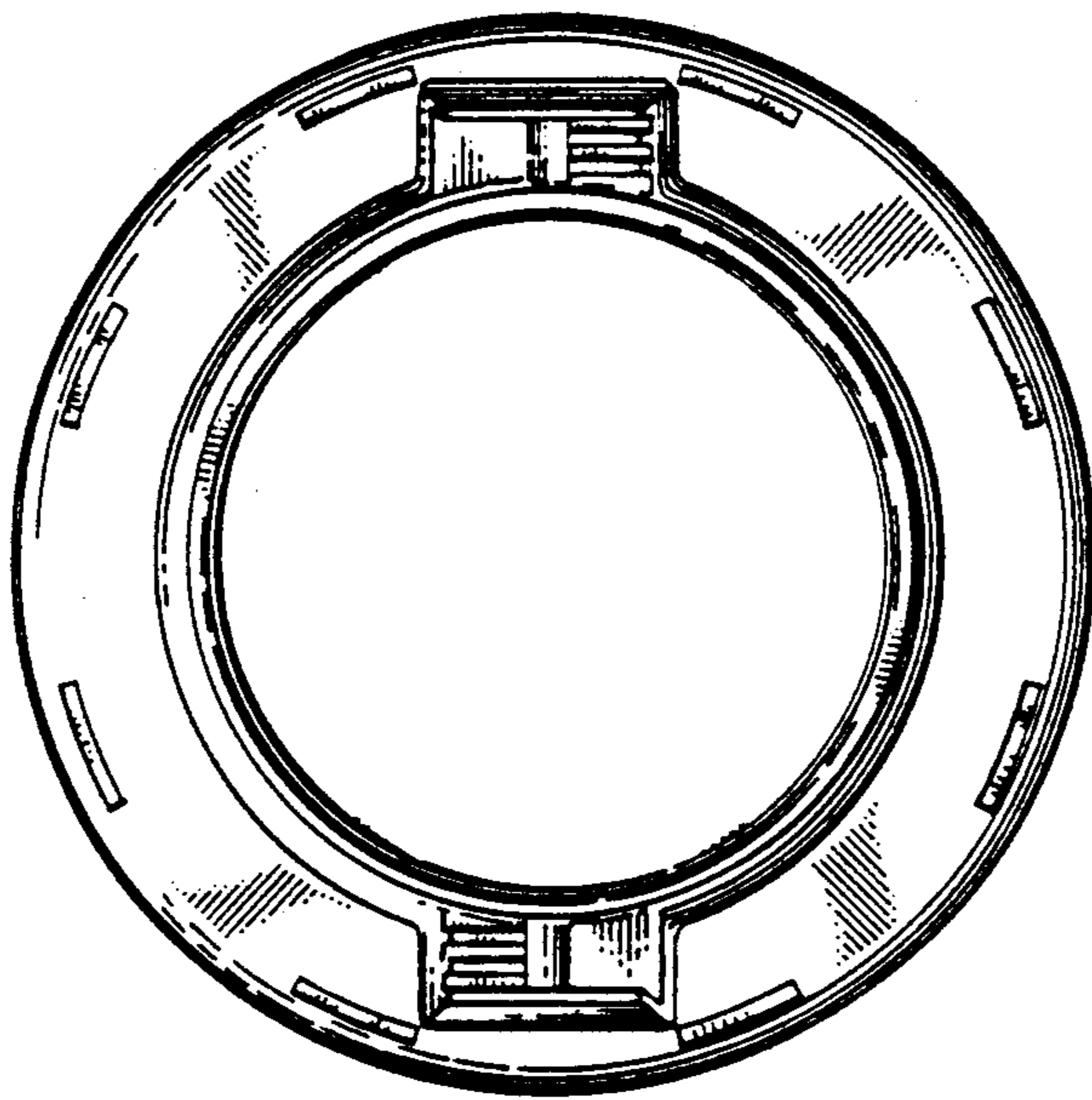


FIG. 2

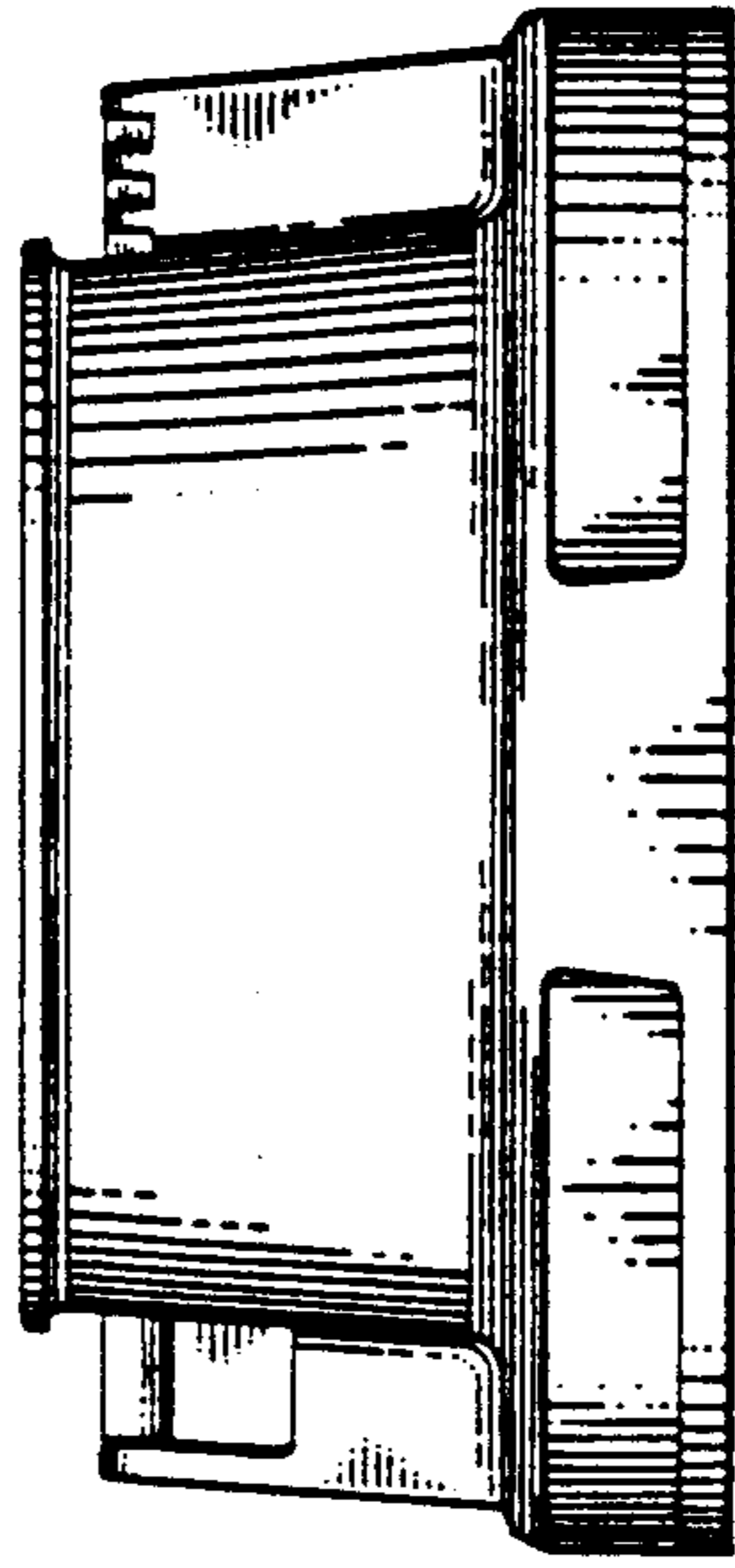


FIG. 3

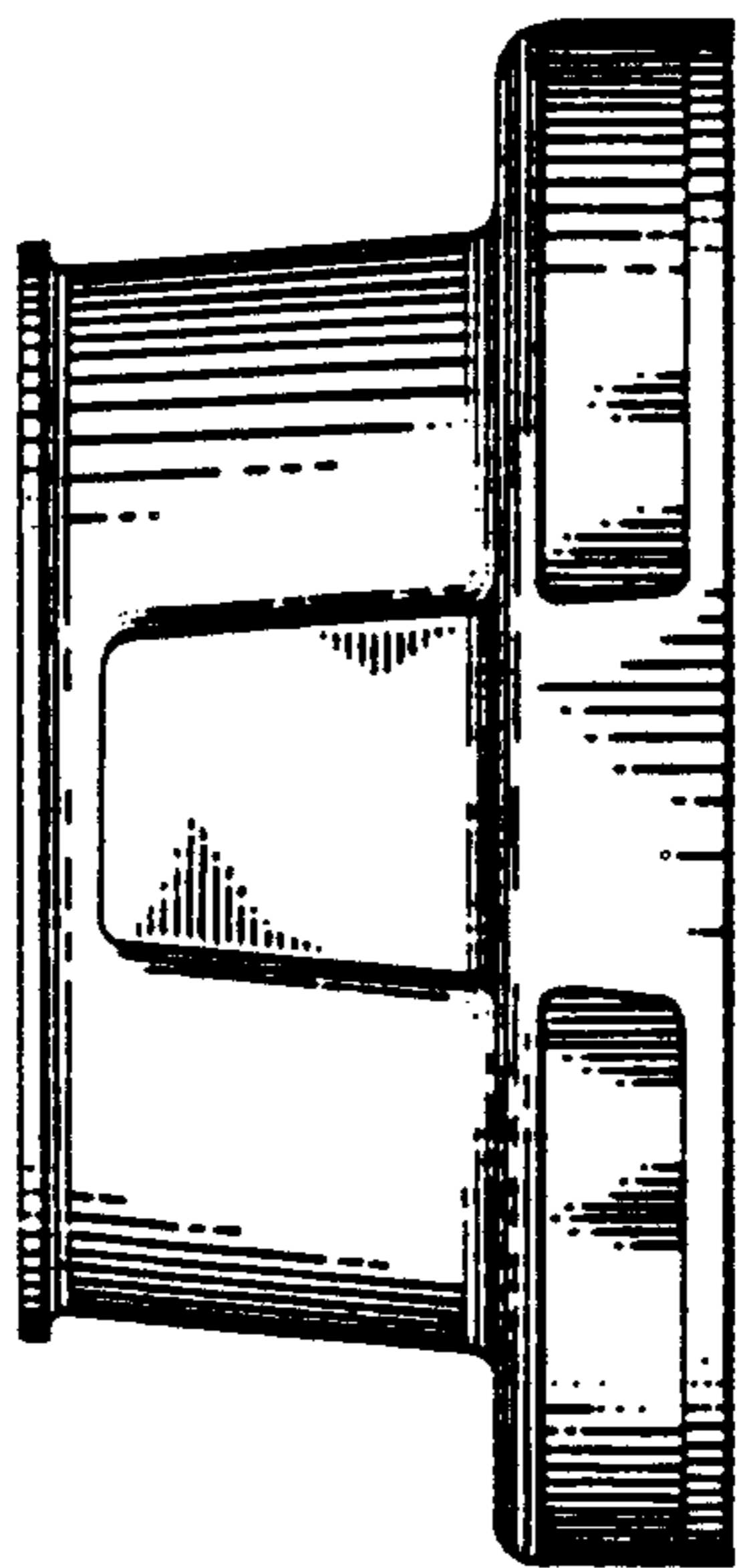


FIG. 4