

[54] TOP FITTING FOR A DEIONIZER TANK

[75] Inventor: John L. Mortison, Edina, Minn.

[73] Assignee: Ecodyne Corporation, St. Paul, Minn.

[**] Term: 14 Years

[21] Appl. No.: 88,601

[22] Filed: Aug. 24, 1987

[52] U.S. Cl. D23/200

[58] Field of Search D23/200; 202, 203-207; 210/85, 86, 90, 130, 133, 660, 662-663, 665, 667-668, 670, 675-677, 681, 683-687

[56] References Cited

U.S. PATENT DOCUMENTS

- 3,252,579 5/1966 Smith et al. 210/85 X
- 3,454,491 7/1969 Colburn 210/662
- 4,427,549 1/1984 Brown et al. 210/662

4,469,602 9/1984 Seal 210/662

Primary Examiner—Susan J. Lucas

Assistant Examiner—M. H. Tung

Attorney, Agent, or Firm—Jon Carl Gealow; James M. Wetzel

[57] CLAIM

The ornamental design for a top fitting for a deionizer tank, as shown and described.

DESCRIPTION

FIG. 1 is a perspective view of a top fitting for a deionizer tank showing my new design, on a reduced scale; FIG. 2 is a top plan view thereof; FIG. 3 is a front elevational view thereof; FIG. 4 is a side elevational view thereof; FIG. 5 is a rear elevational view thereof; FIG. 6 is the other side elevational view thereof; FIG. 7 is a bottom plan view thereof.

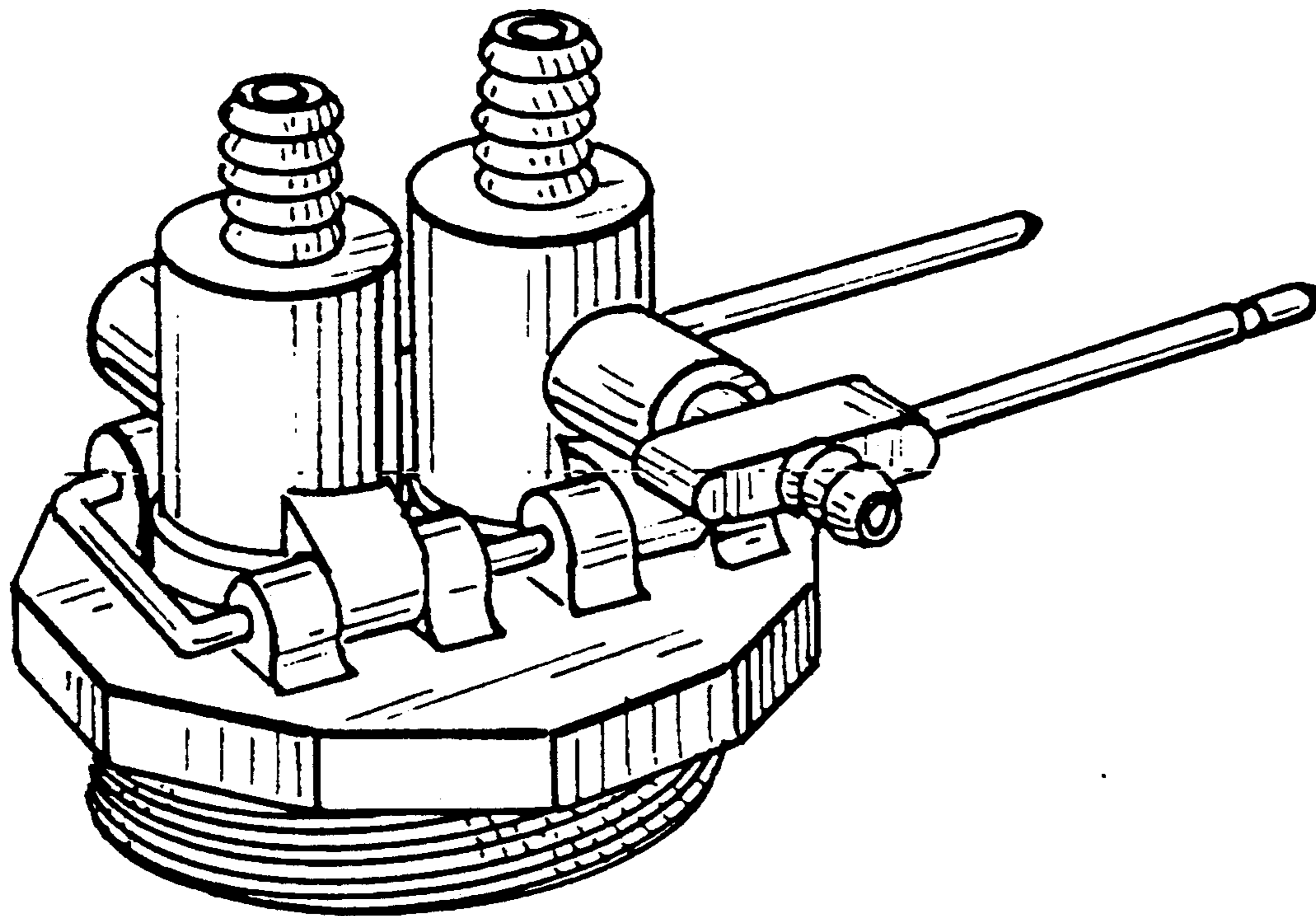


Fig. 1

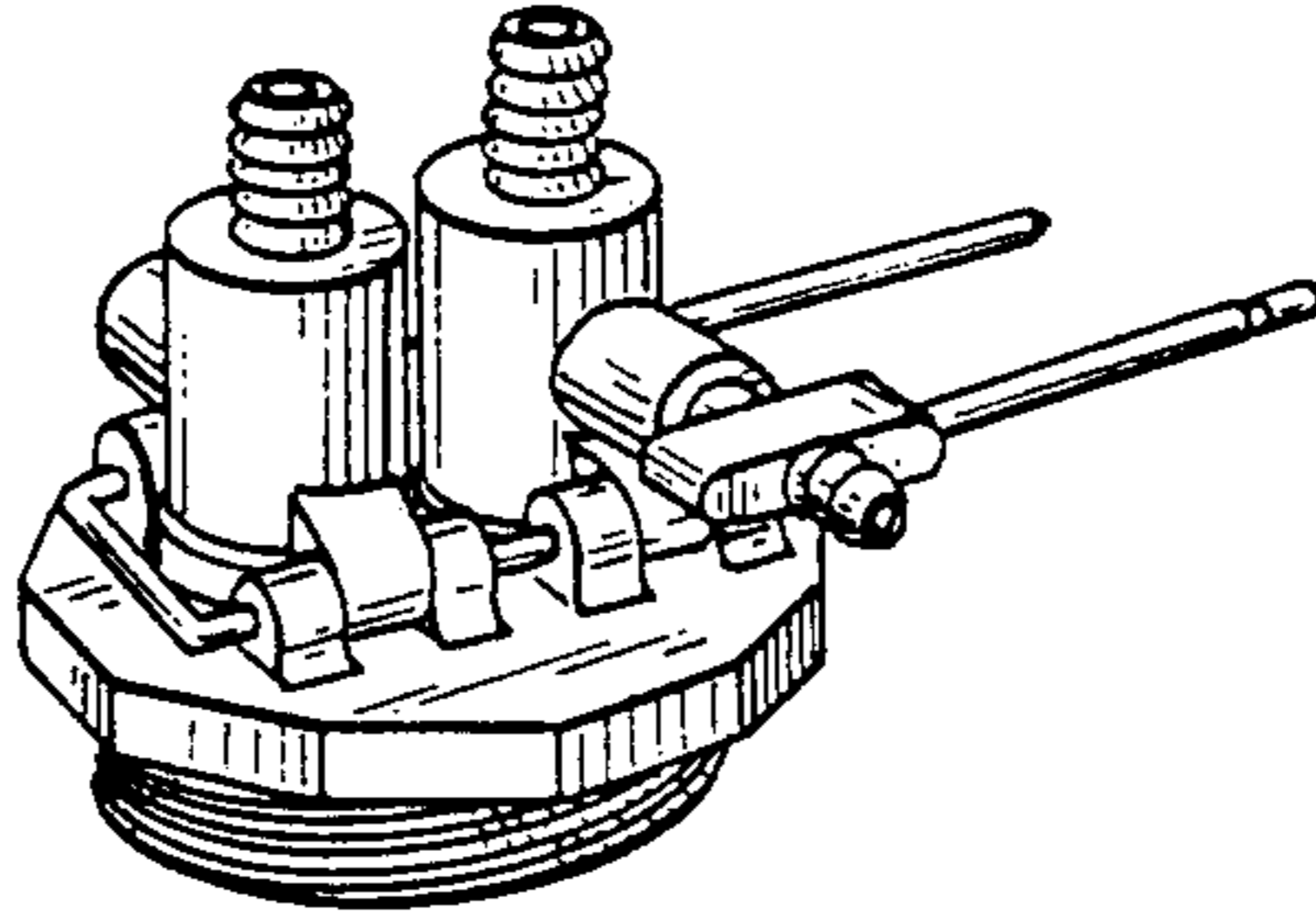


Fig. 2

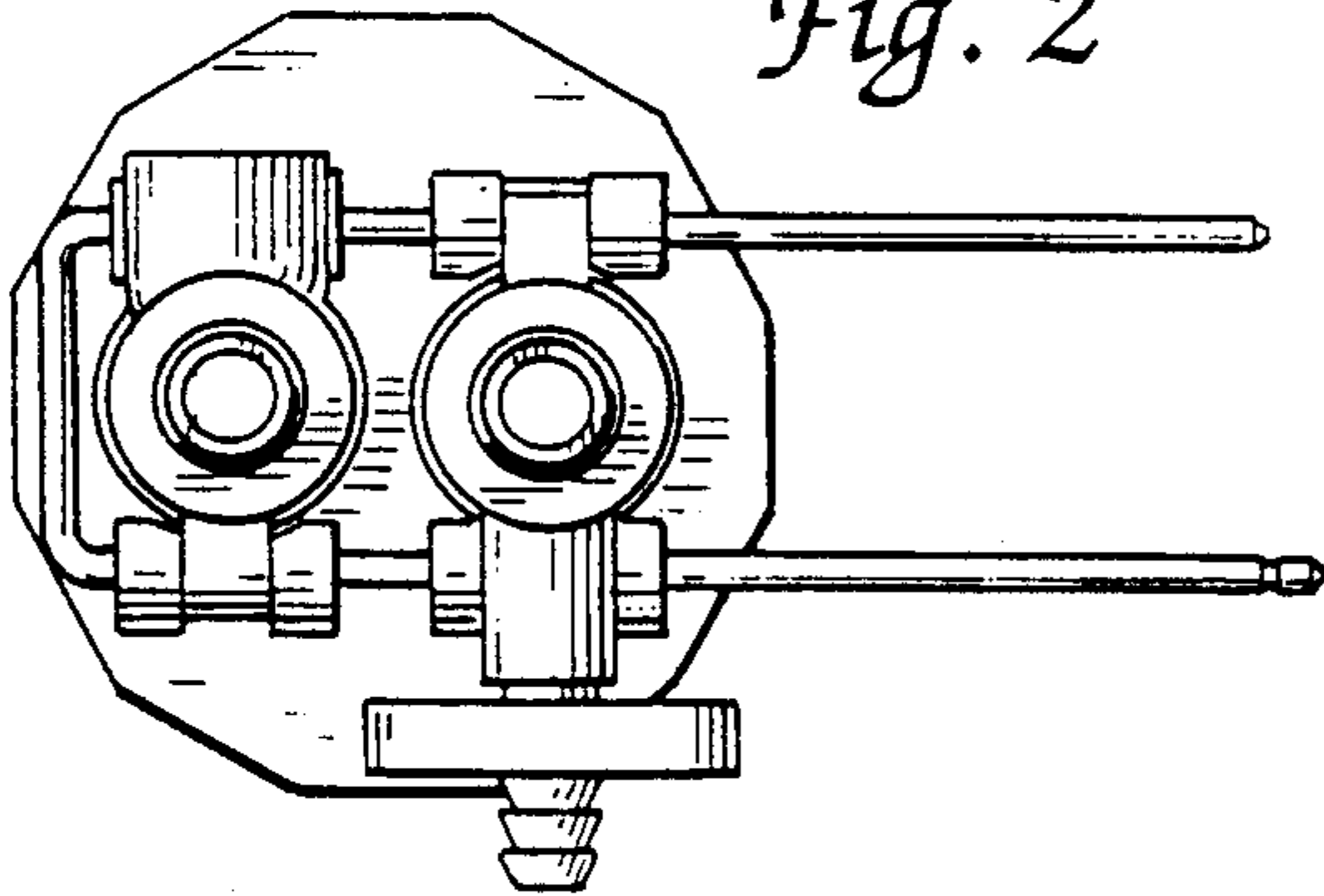


Fig. 4

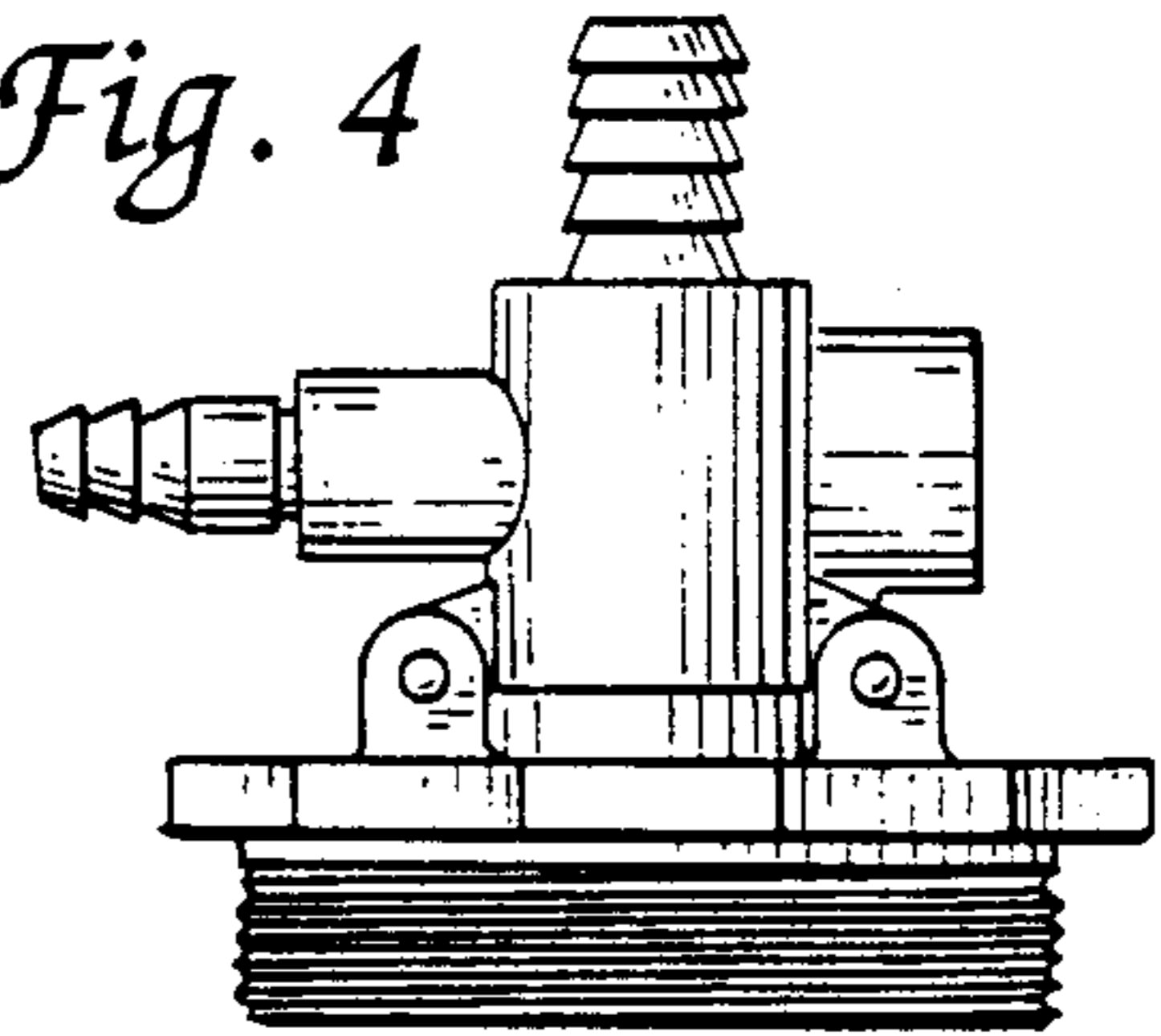


Fig. 3

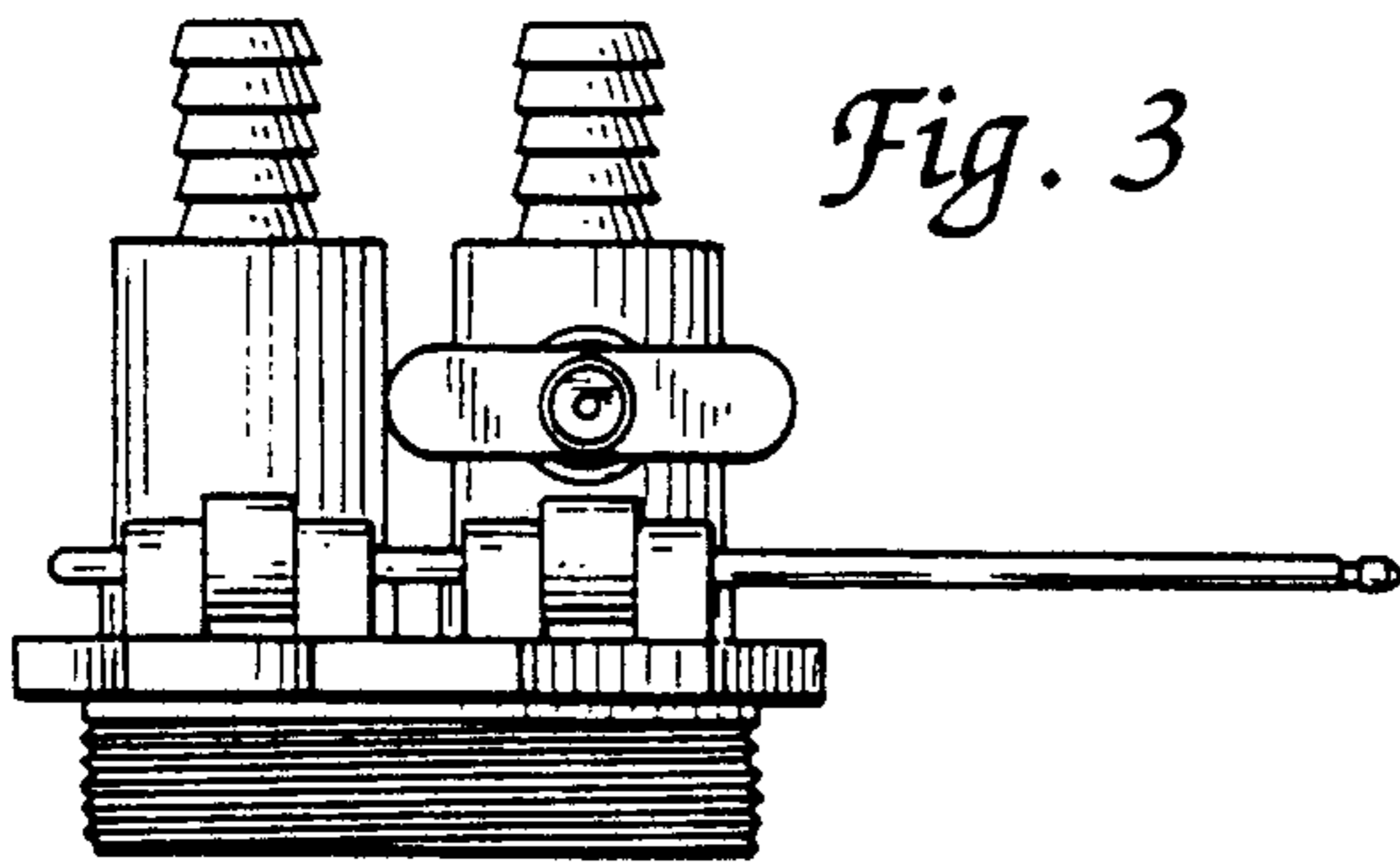


Fig. 5

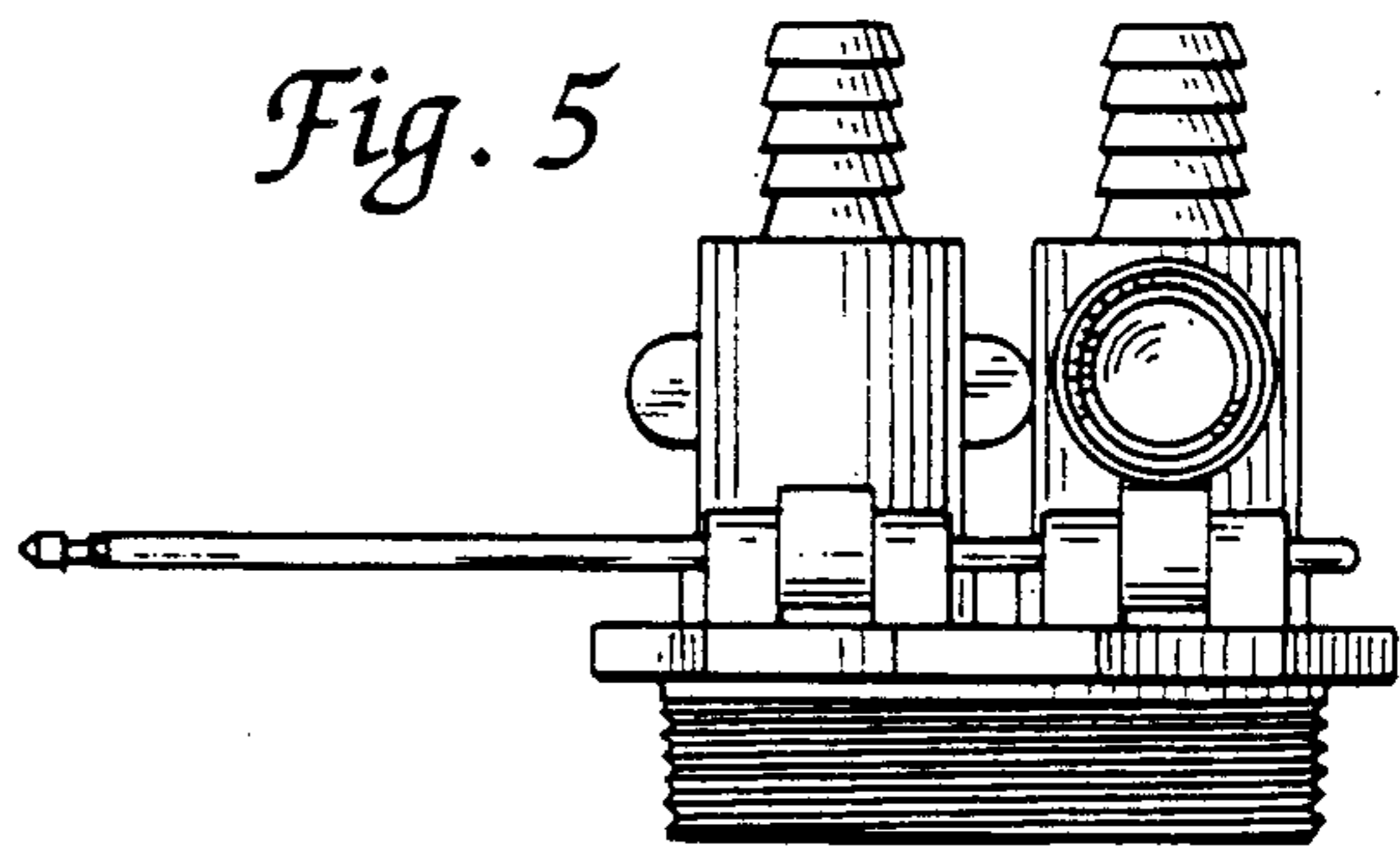


Fig. 6

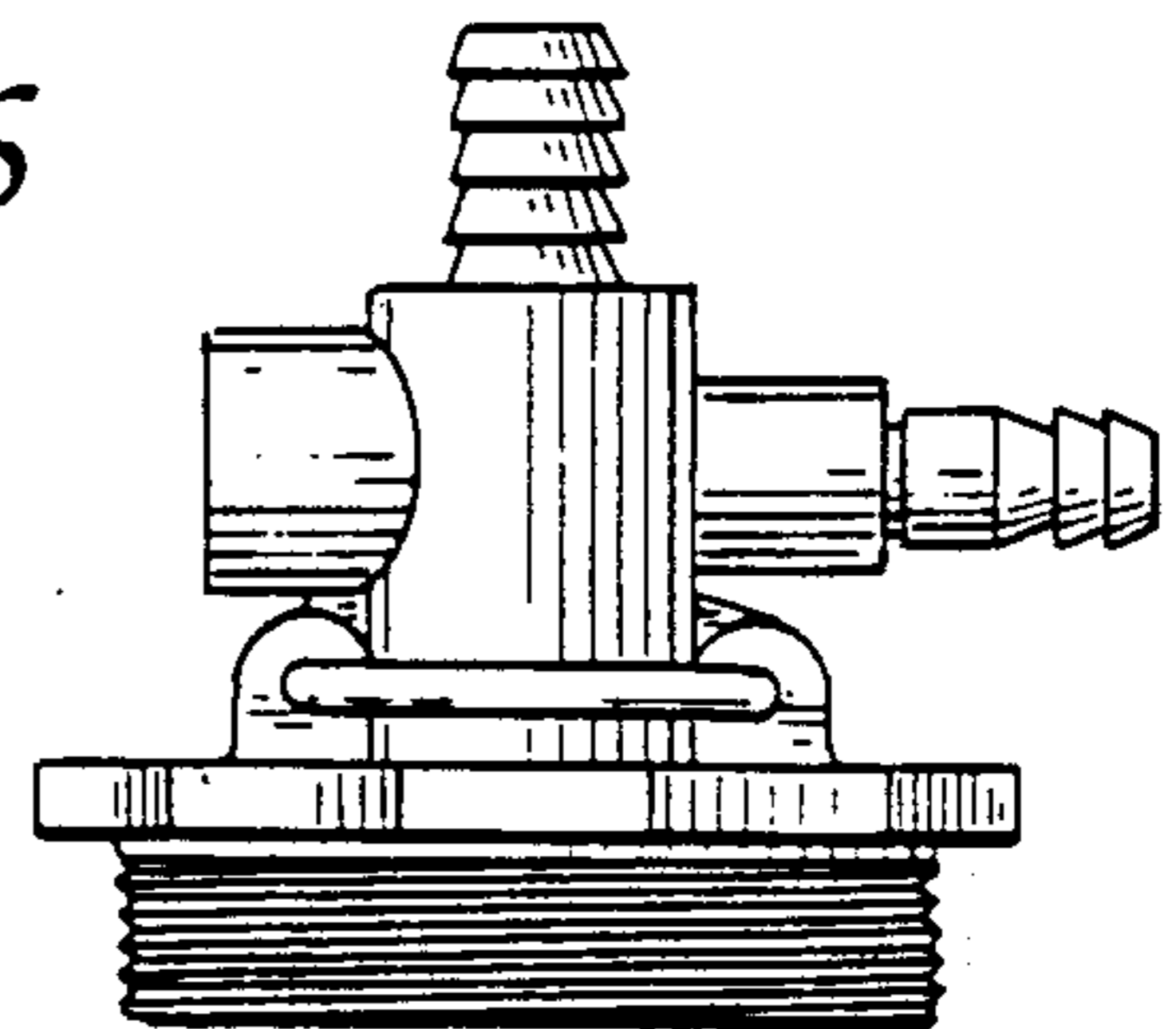


Fig. 7

