

[54] REEL FOR FISHING

[75] Inventors: Yasuhisa Kameda; Akihisa Shiozaki, both of Musashino, Japan

[73] Assignee: Daiwa Seiko, Inc., Tokyo, Japan

[**] Term: 14 Years

[21] Appl. No.: 243,773

[22] Filed: Sep. 13, 1988

[30] Foreign Application Priority Data

Mar. 18, 1988 [JP] Japan 63-11061
[52] U.S. Cl. D22/141
[58] Field of Search D22/141, 140; 242/230, 242/231, 232, 233

[56] References Cited

U.S. PATENT DOCUMENTS

D. 270,934 10/1983 Iinuma D22/141
D. 294,728 3/1988 Kameda D22/141
D. 295,775 5/1988 Kameda D22/141
D. 300,054 2/1989 Hiraishi et al. D22/141

D. 300,055 2/1989 Doi D22/141
D. 300,766 4/1989 Iinuma D22/141
D. 309,340 7/1990 Kameda et al. D22/141

FOREIGN PATENT DOCUMENTS

55-535118 7/1980 Japan .
56-478163-2 8/1981 Japan .

Primary Examiner—A. Hugo Word
Assistant Examiner—Doris V. Coles
Attorney, Agent, or Firm—Bacon & Thomas

[57] CLAIM

The ornamental design for a reel for fishing, as shown.

DESCRIPTION

FIG. 1 is a front perspective view of a reel for fishing showing our new design;
FIG. 2 is a rear perspective view thereof;
FIG. 3 is a front elevational view thereof;
FIG. 4 is a left side elevational view thereof;
FIG. 5 is a top plan view thereof;
FIG. 6 is a rear elevational view thereof;
FIG. 7 is a right side elevational view thereof; and
FIG. 8 is a bottom plan view thereof.

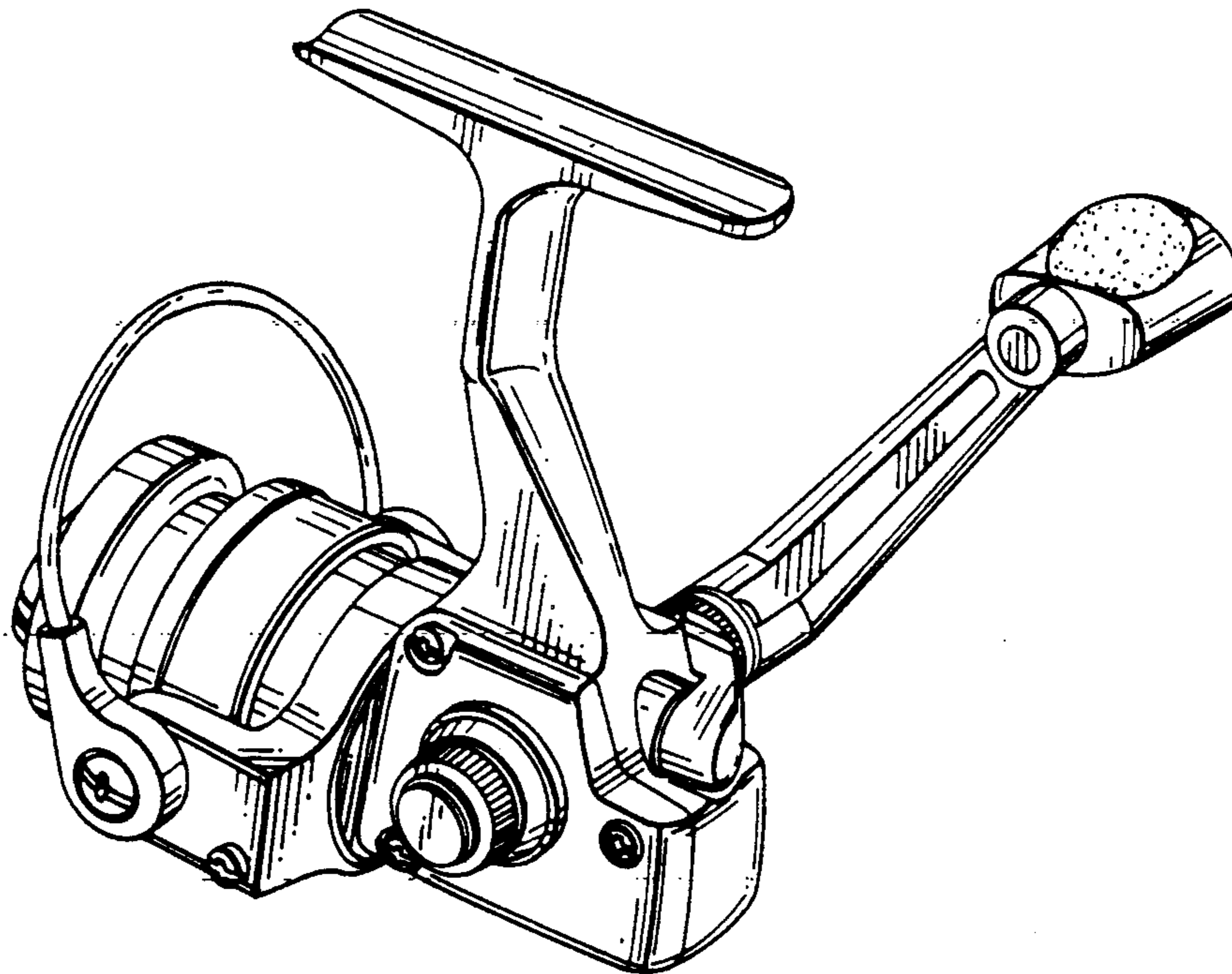


FIG. 1

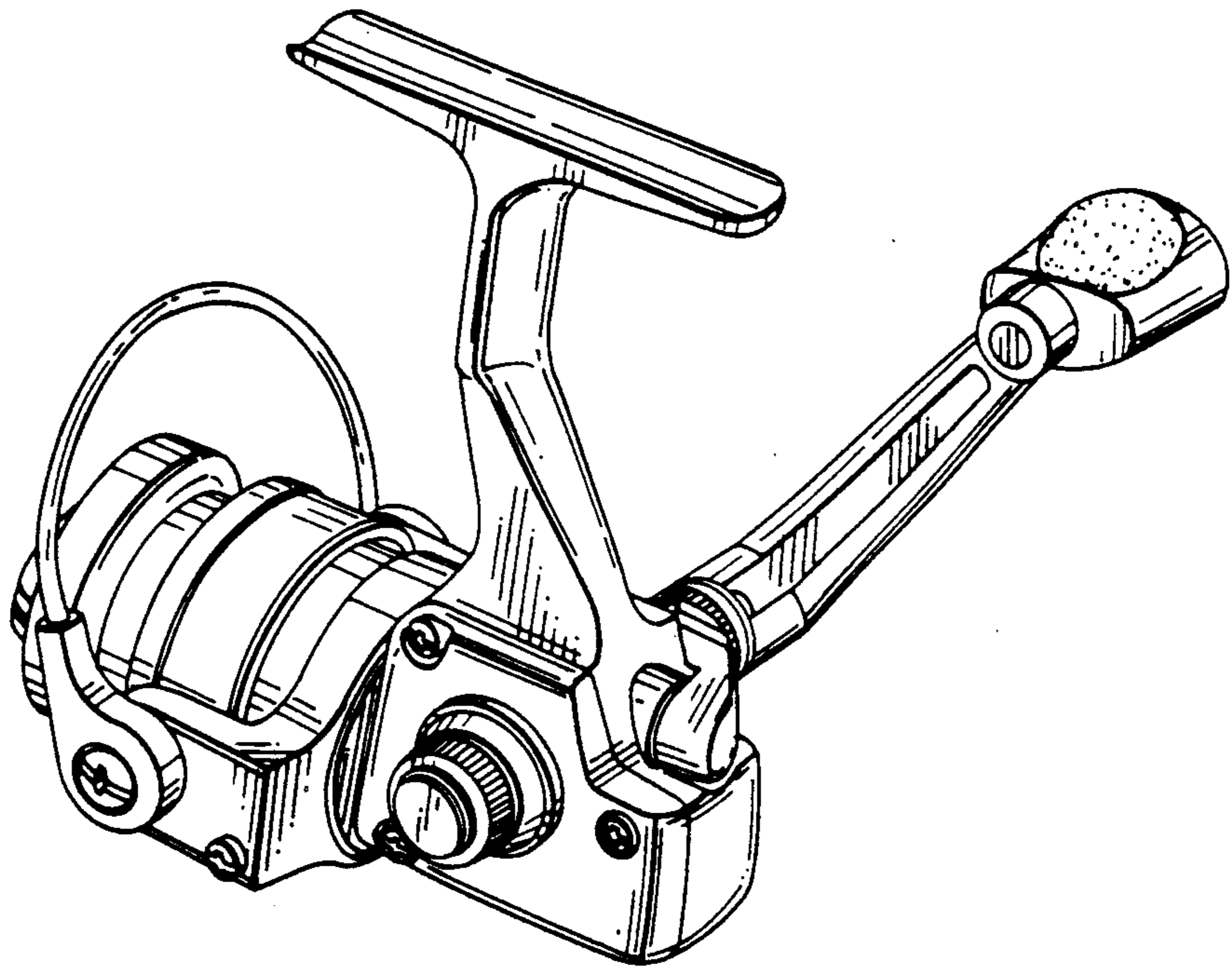


FIG. 2

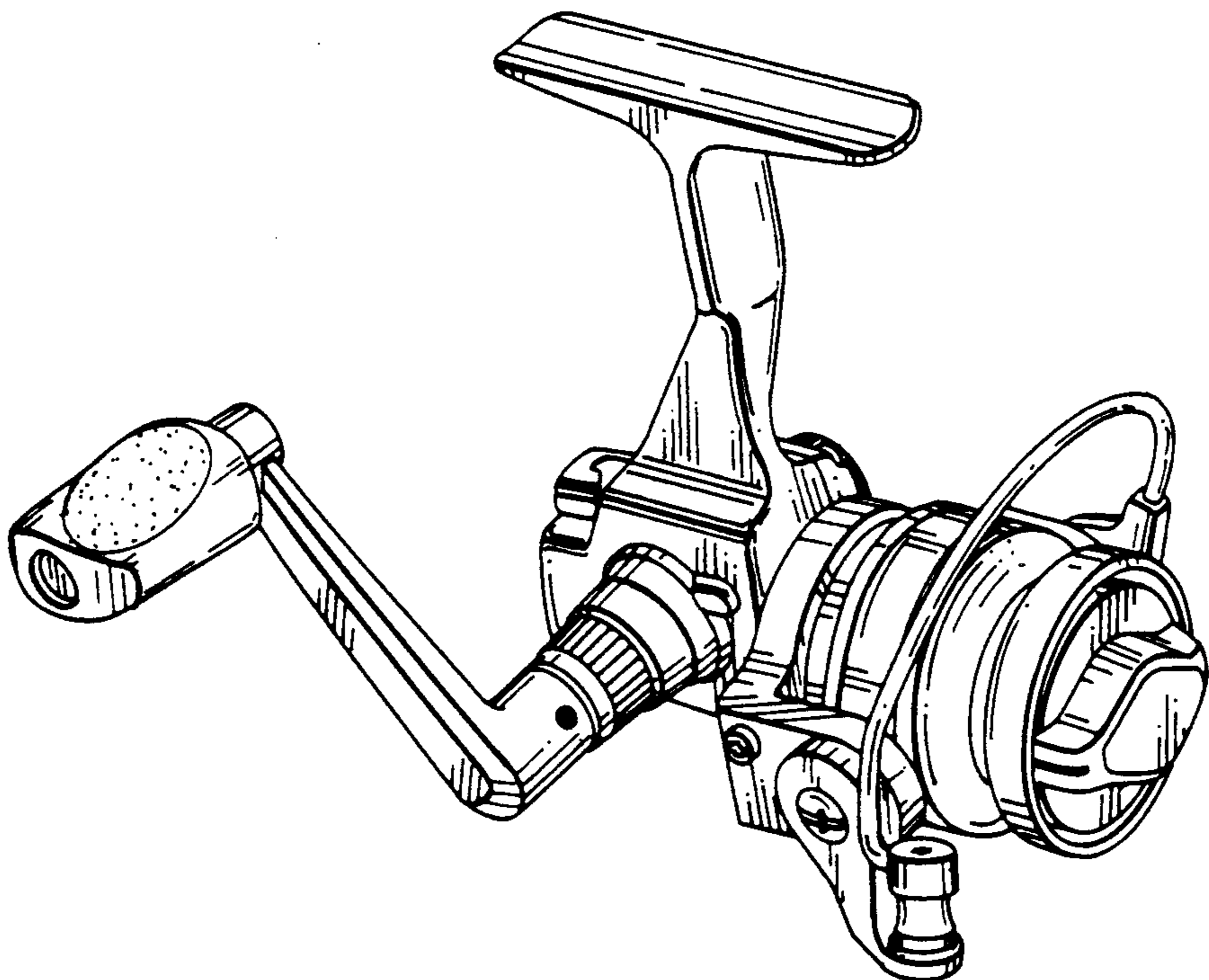


FIG. 3

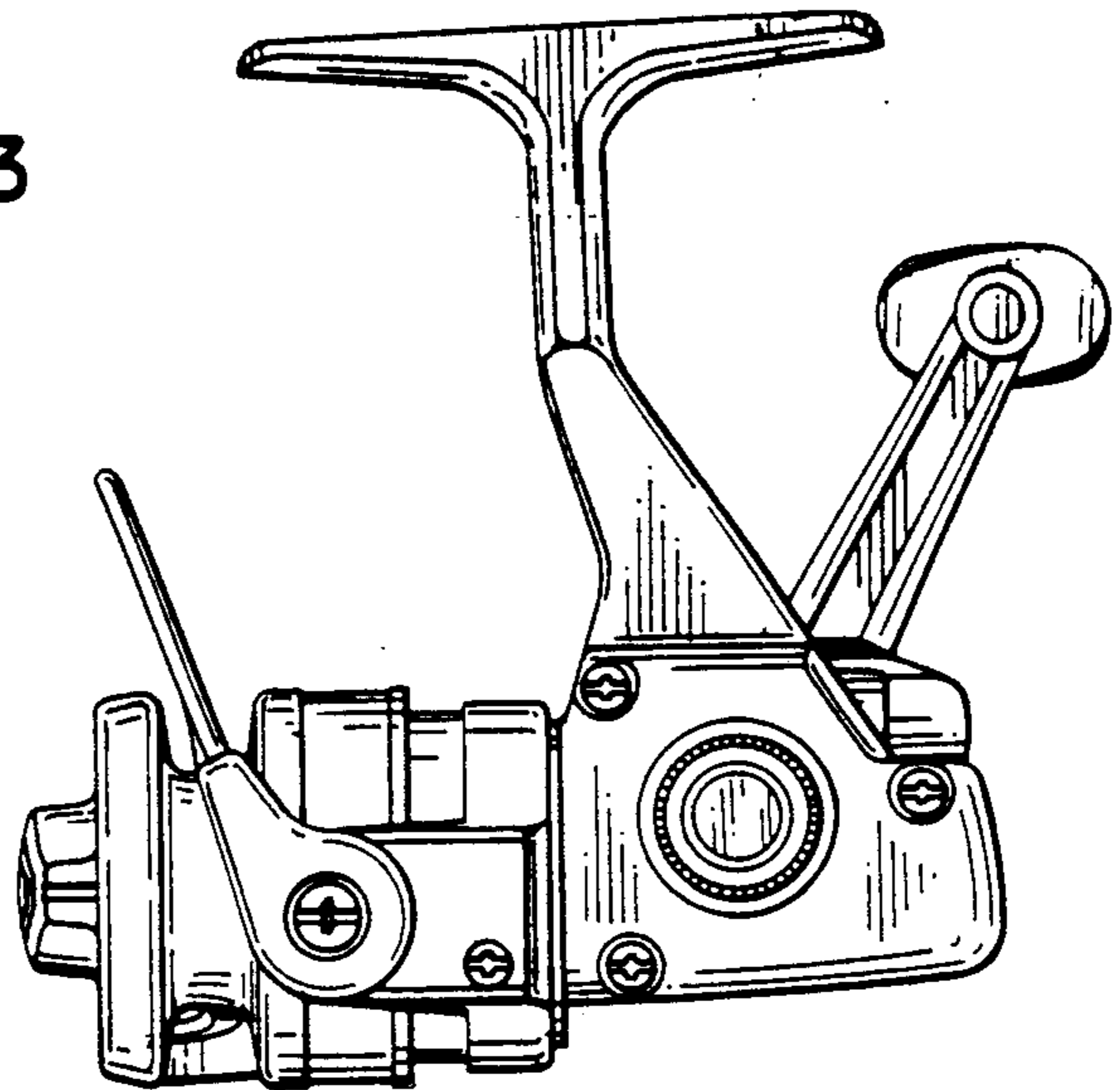


FIG. 4

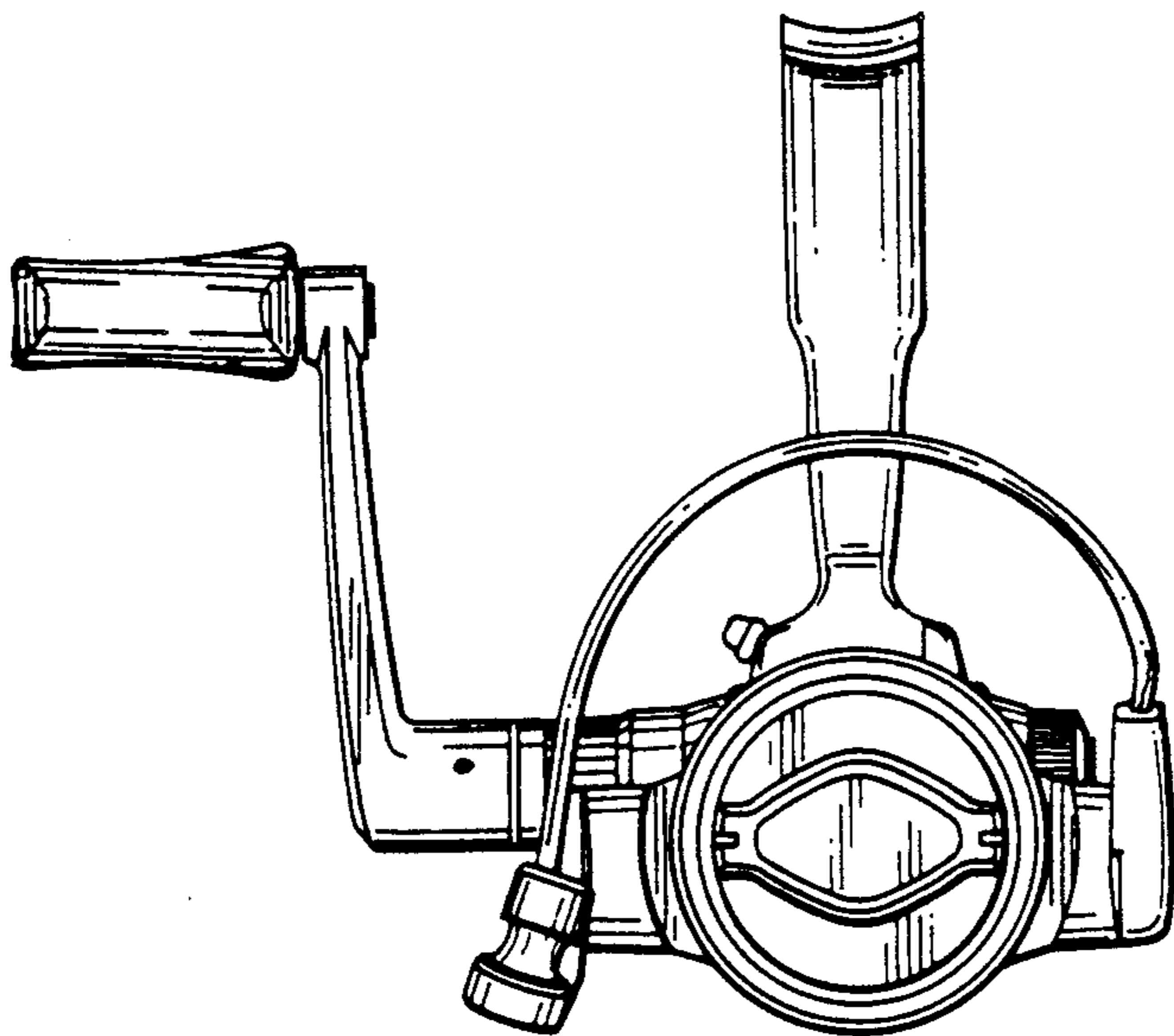


FIG. 5

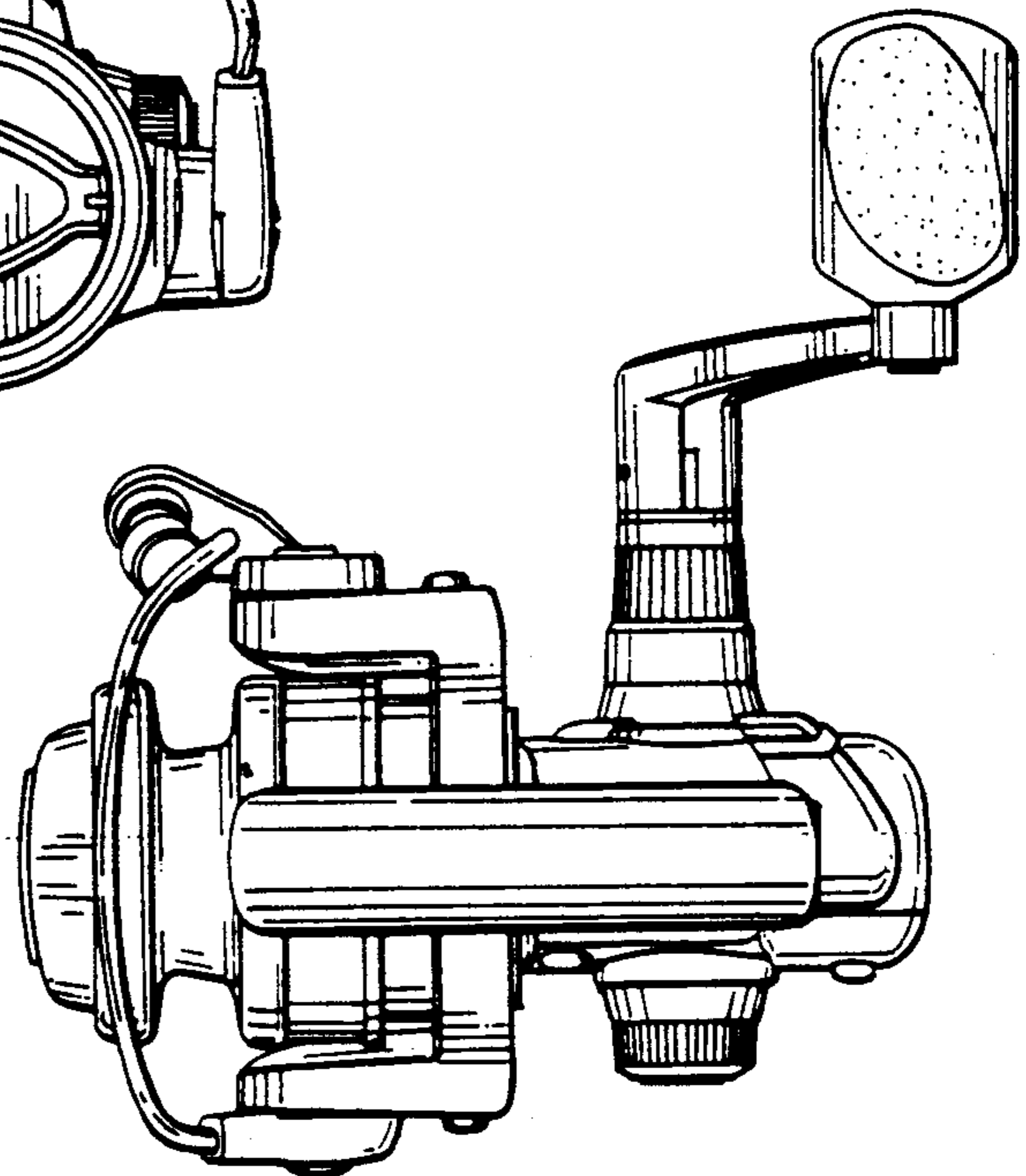


FIG. 6

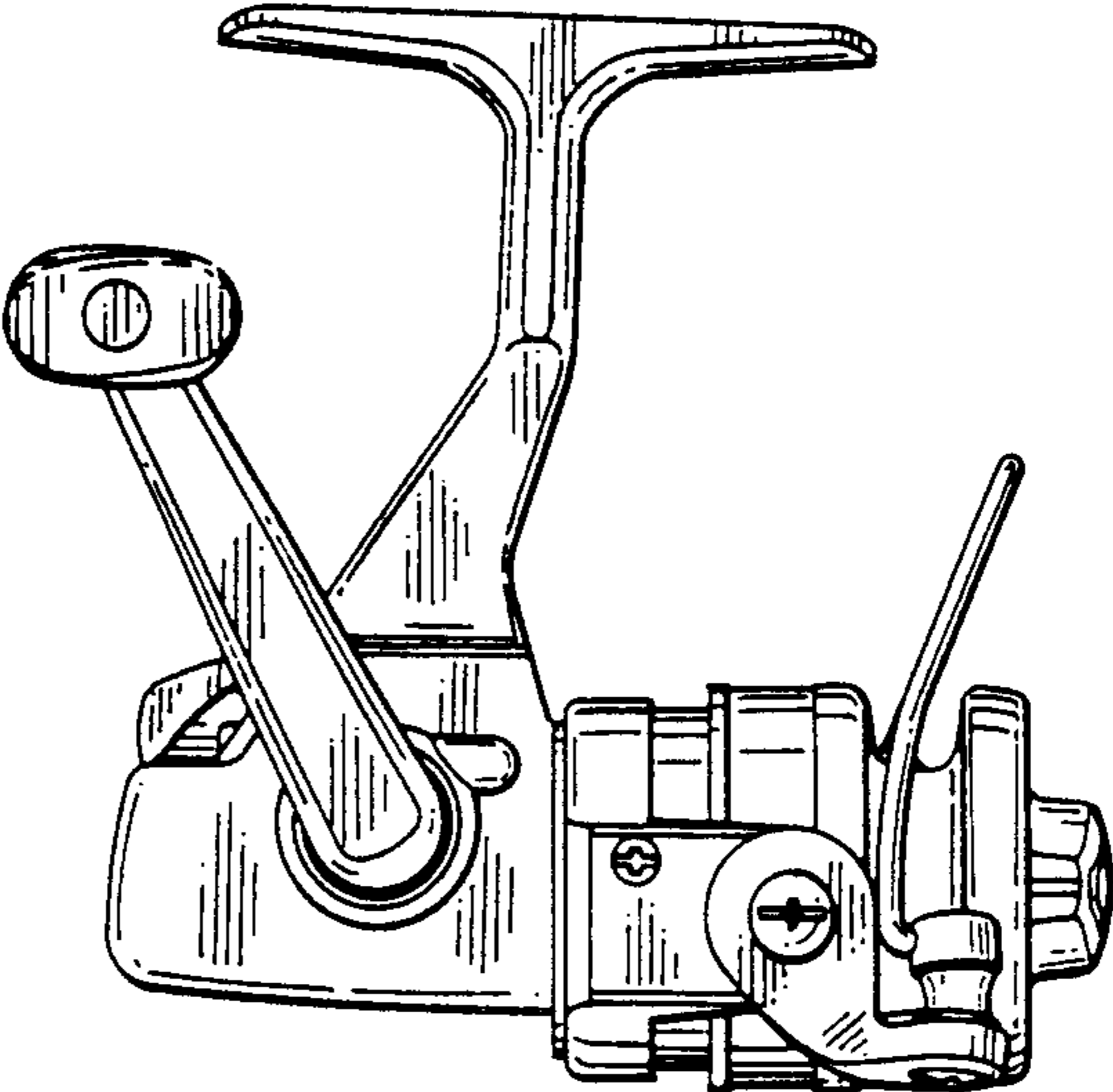


FIG. 7

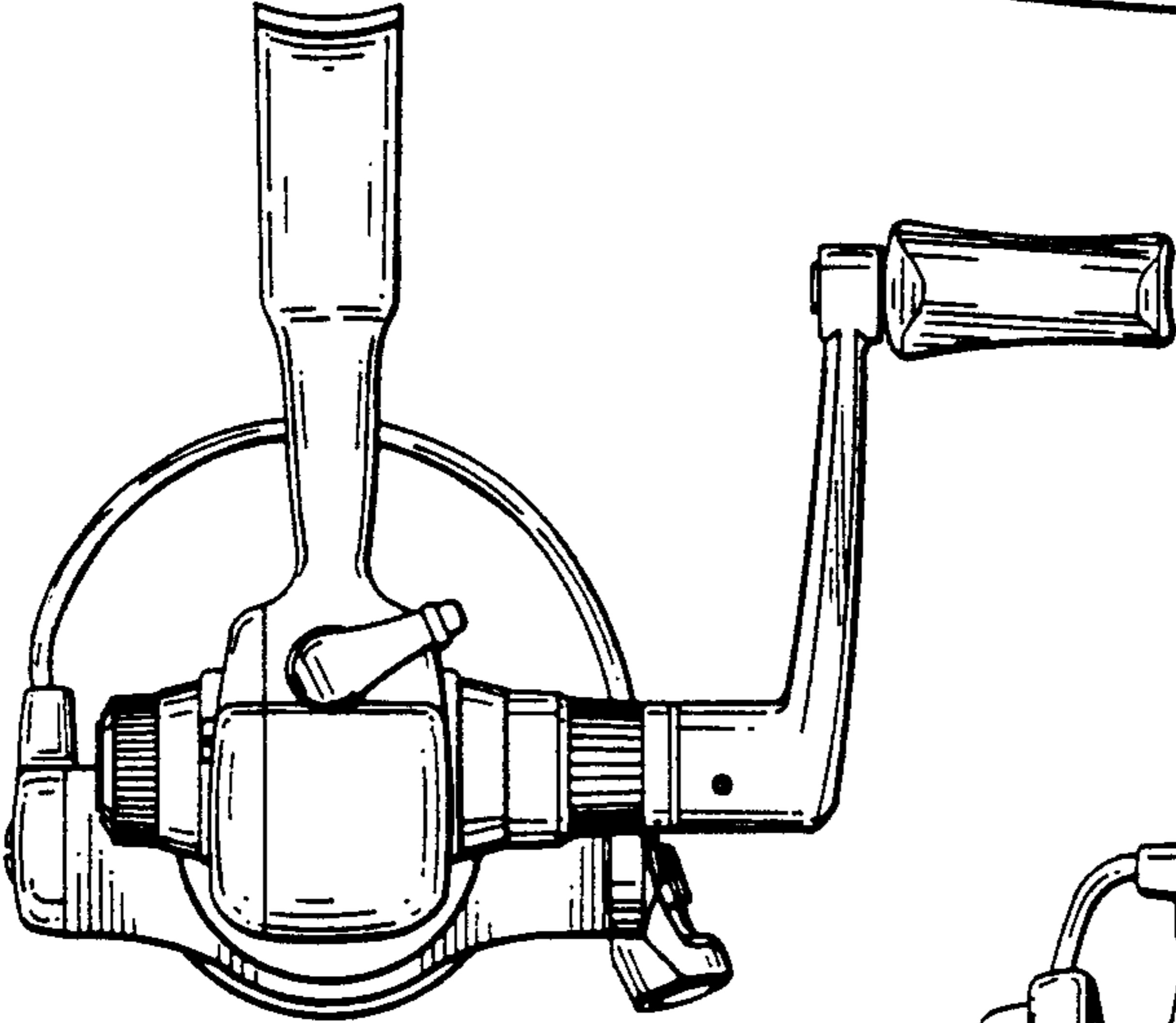


FIG. 8

