

[54] REAR SIGHT FOR A PISTOL

[76] Inventor: Wayne F. Novak, P.O. Box 4045, Parkersburg, W. Va. 26102

[**] Term: 14 Years

[21] Appl. No.: 172,350

[22] Filed: Mar. 24, 1988

[52] U.S. Cl. D22/109

[58] Field of Search D22/109, 110; 33/233, 33/252-258, 260, 261; 42/100-102

[56] References Cited

U.S. PATENT DOCUMENTS

D. 247,856	5/1978	Korzeniewski	D22/109
D. 301,512	6/1989	Novak	D22/109
D. 305,146	12/1989	Novak	D22/109
1,715,203	5/1929	Loomis	33/254
3,495,339	2/1970	Elliason	33/257
3,777,380	12/1973	Theodore	33/233
3,834,035	9/1974	Merrill	33/258 X
4,628,611	12/1986	Ruffino	33/254

FOREIGN PATENT DOCUMENTS

571027 8/1945 United Kingdom 42/100

OTHER PUBLICATIONS

Gun World, Nov. 1985, pp. 54-56.

Primary Examiner—A. Hugo Word

Assistant Examiner—Doris V. Coles

Attorney, Agent, or Firm—Polster, Polster and Lucchesi

[57] CLAIM

The ornamental design for a rear sight for a pistol, as shown and described.

DESCRIPTION

FIG. 1 is a rear perspective view of a rear sight for a pistol, showing my new design;

FIG. 2 is a left side elevational view thereof;

FIG. 3 is a right side elevational view thereof;

FIG. 4 is a bottom plan view thereof;

FIG. 5 is a top plan view thereof;

FIG. 6 is a front elevational view thereof; and

FIG. 7 is a rear elevational view thereof.

The broken line showing of a pistol slide is for illustrative purposes only and forms no part of the claimed design.

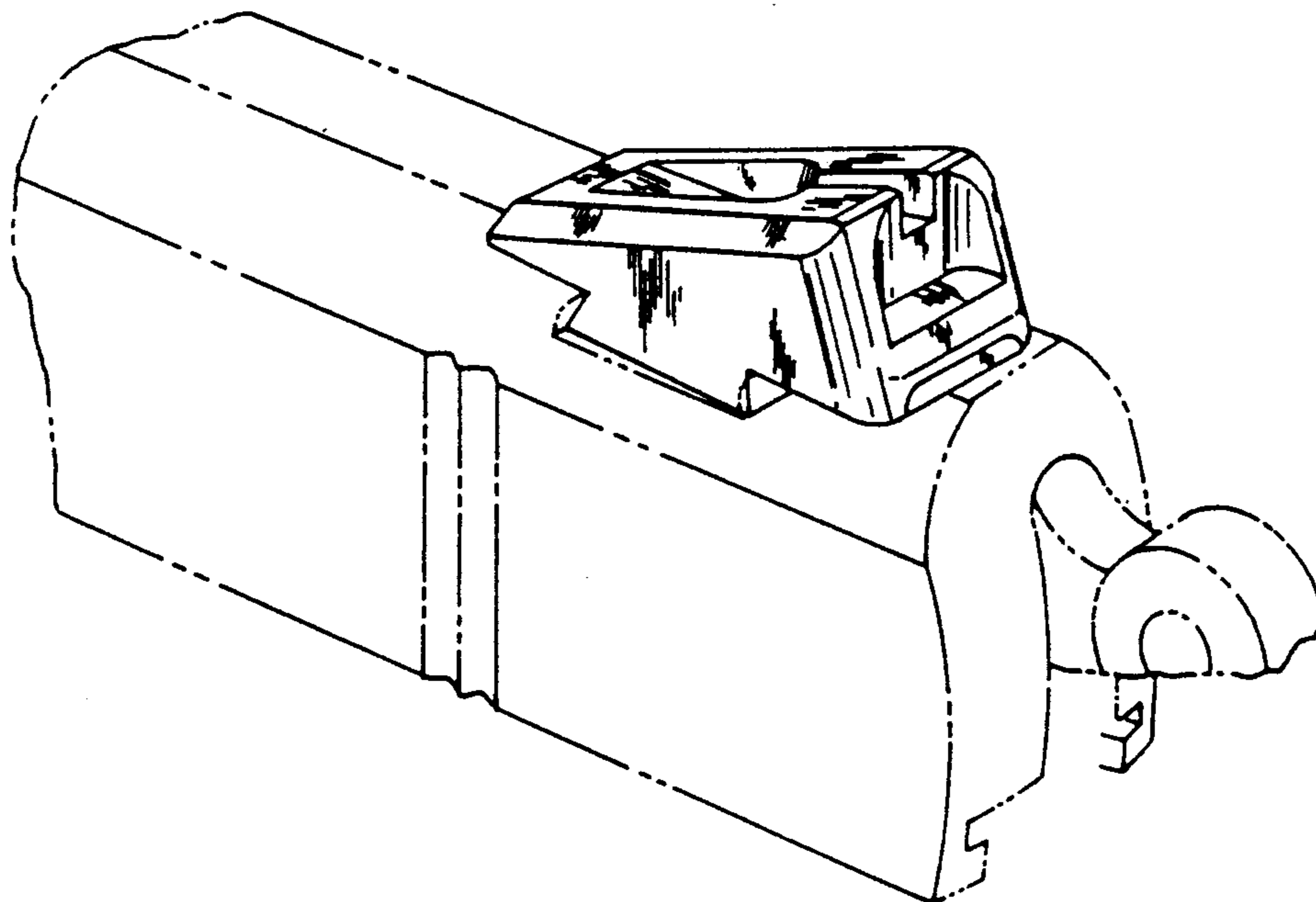


FIG. 1

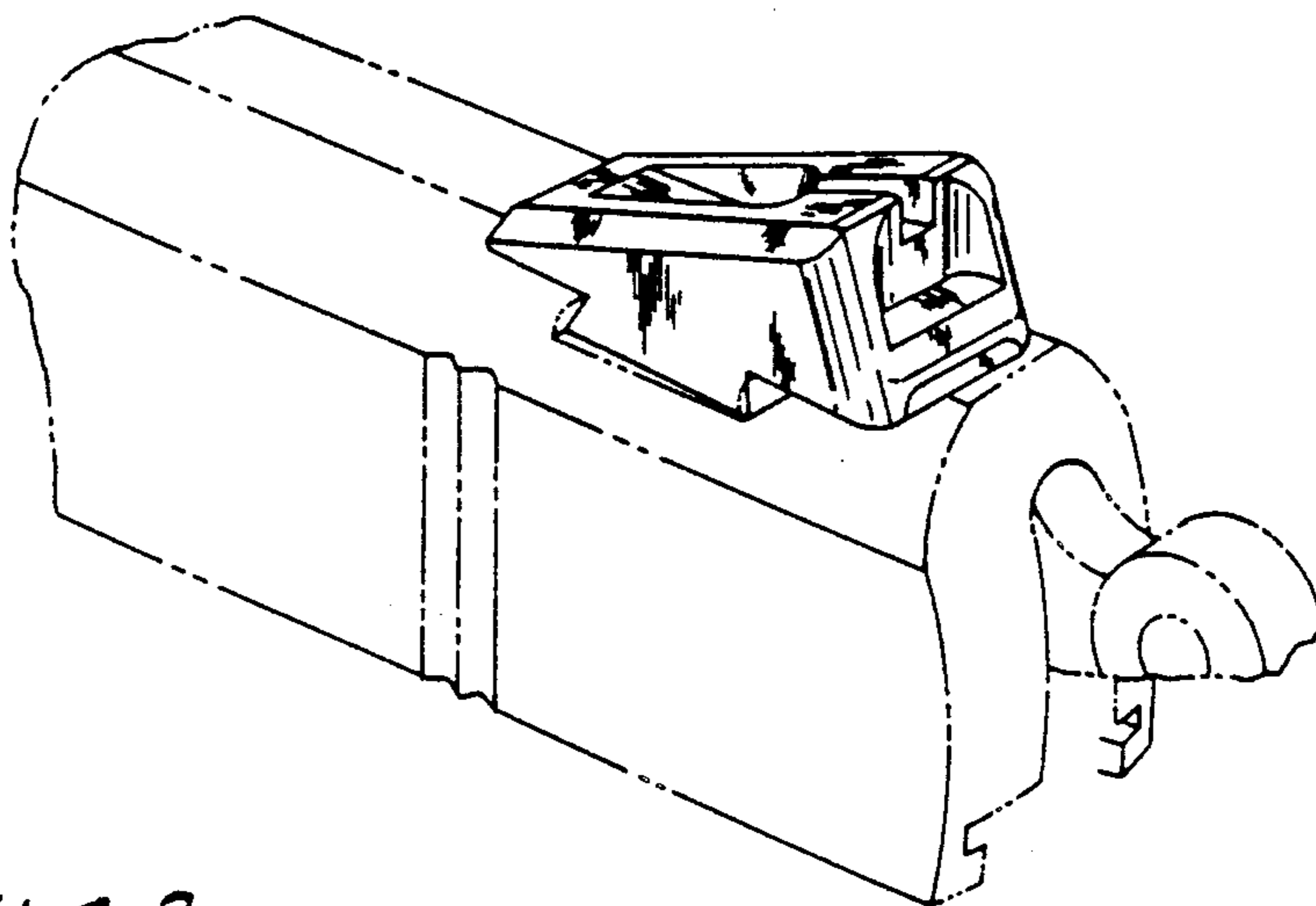


FIG. 2

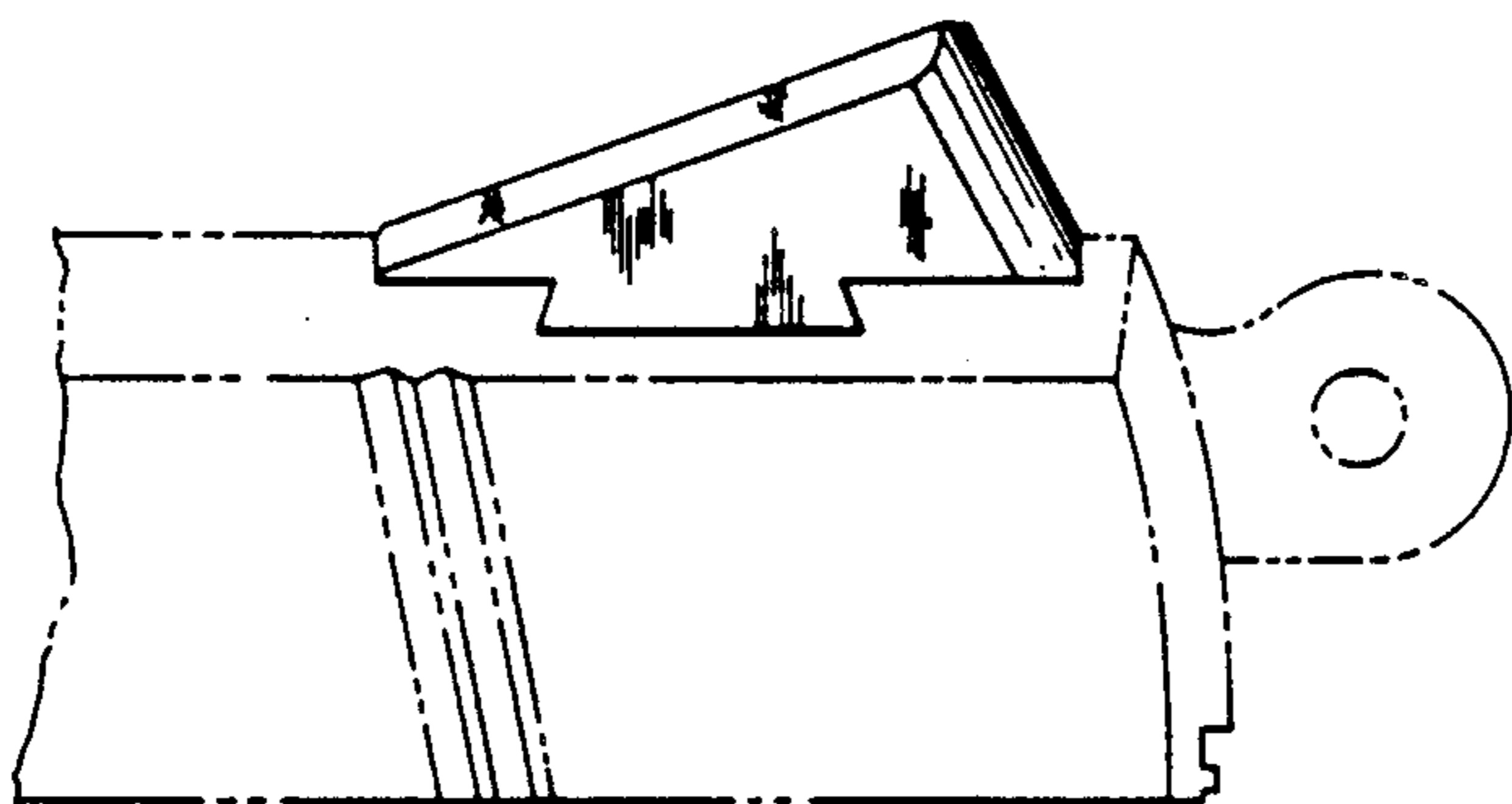


FIG. 5

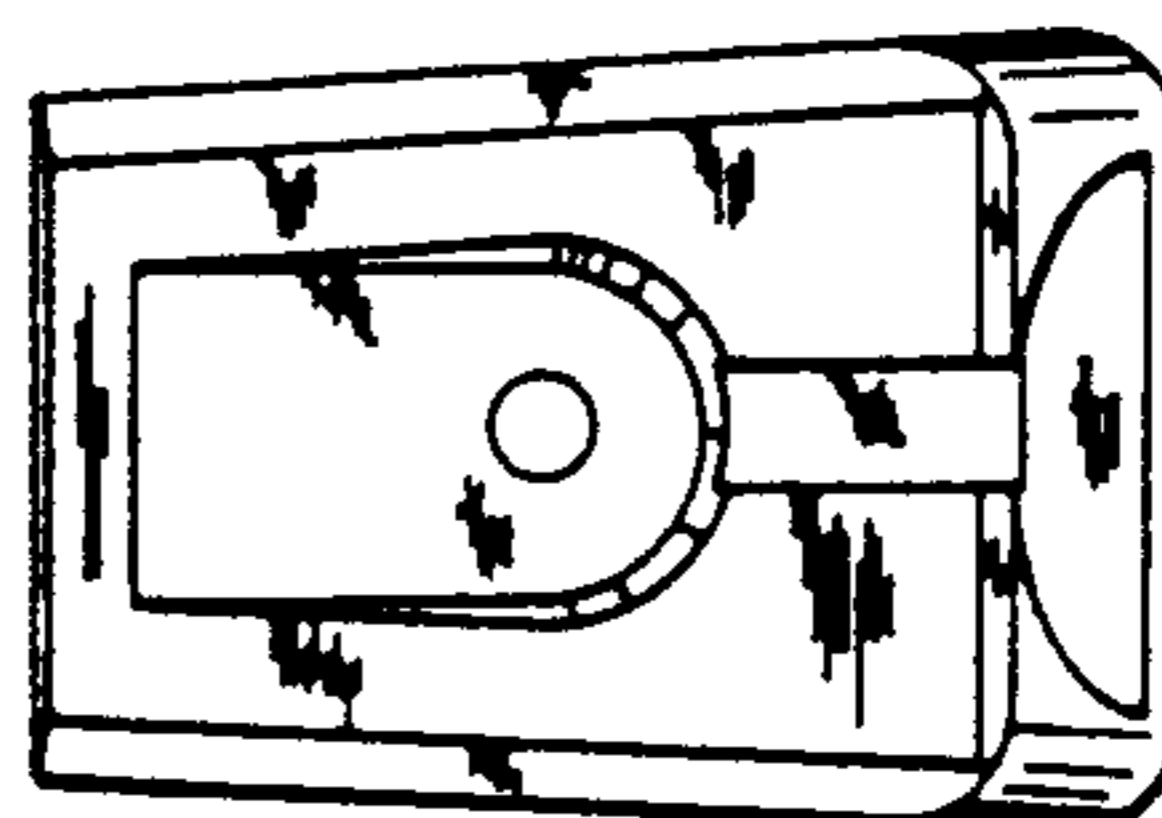


FIG. 3

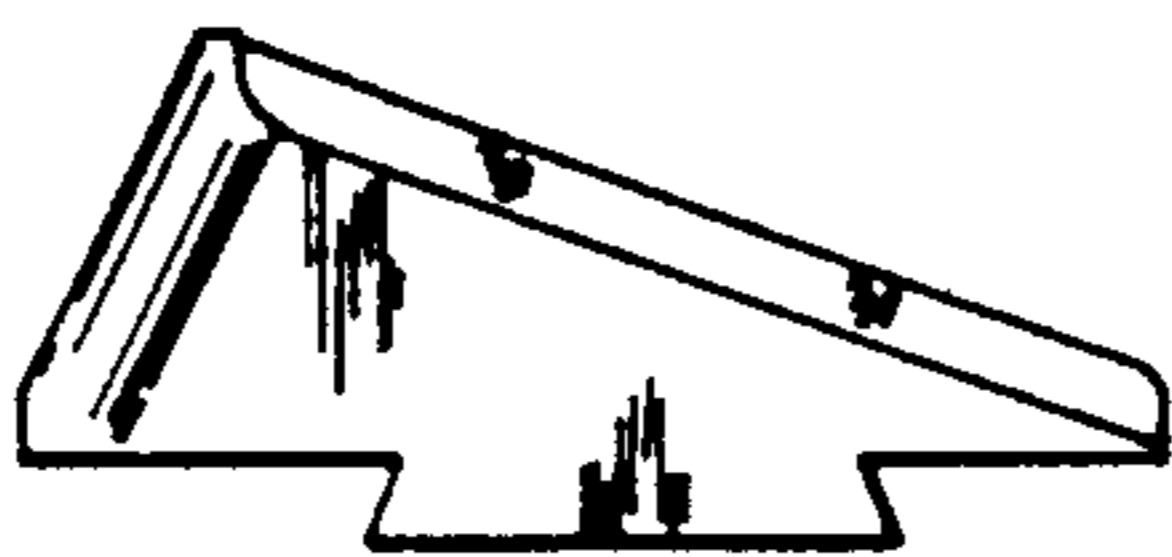


FIG. 6



FIG. 4

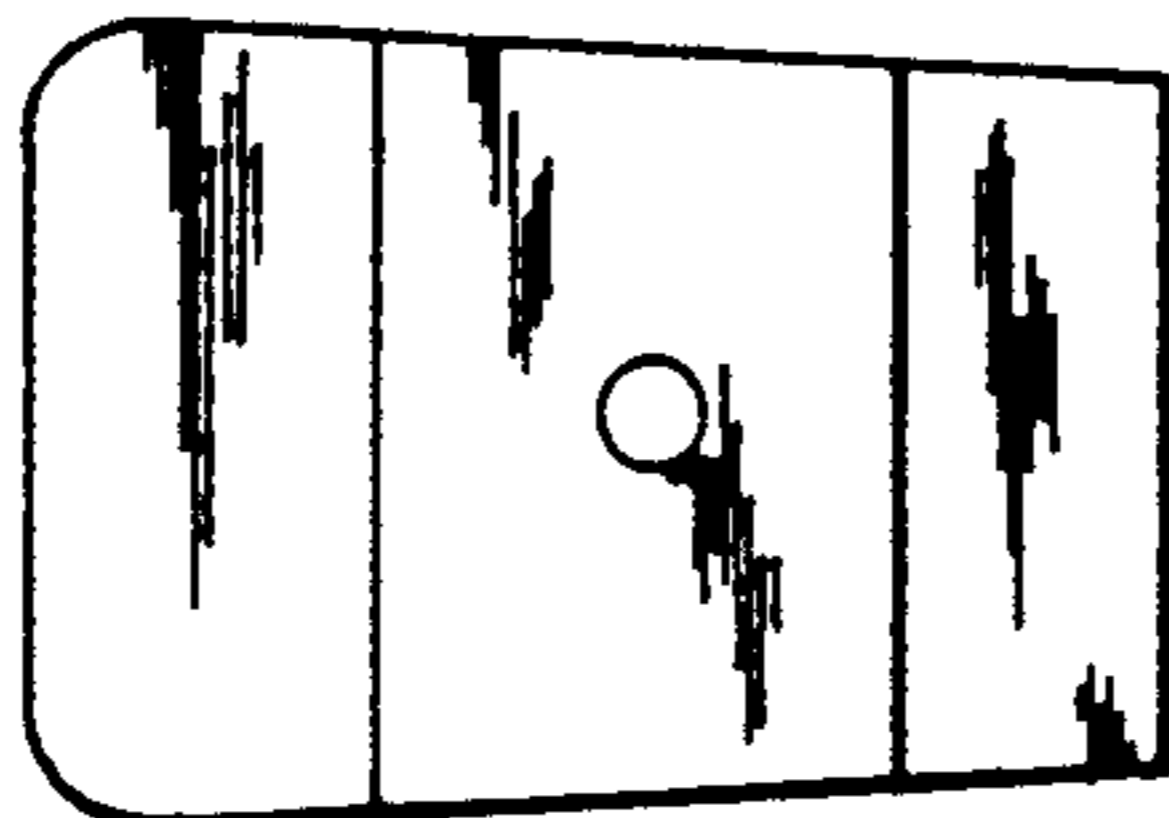


FIG. 7

