

[54] **PLAYGROUND SWING**

[76] **Inventor: Raymond Jones, 1503 W. 116th St.,  
Cleveland, Ohio 44102**

[\*\*] **Term: 14 Years**

[21] **Appl. No.: 267,924**

[22] **Filed: Nov. 7, 1988**

[52] **U.S. Cl. .... D21/246**

[58] **Field of Search ..... D21/242, 243, 244, 245,  
D21/246, 247, 248; 272/33 R, 49, 89**

[56] **References Cited**

**U.S. PATENT DOCUMENTS**

D. 184,535	3/1959	Poihemus	.....	D21/243
D. 193,195	7/1962	Ahrens	.....	D21/248
D. 289,541	4/1987	Forester	.....	D21/246
1,441,940	1/1923	Nafe	.....	272/113

3,011,825	12/1961	Hannas	.....	D21/246
3,127,169	3/1964	Guihan	.....	272/33 R
4,240,623	12/1980	Edwards	.....	272/33 R

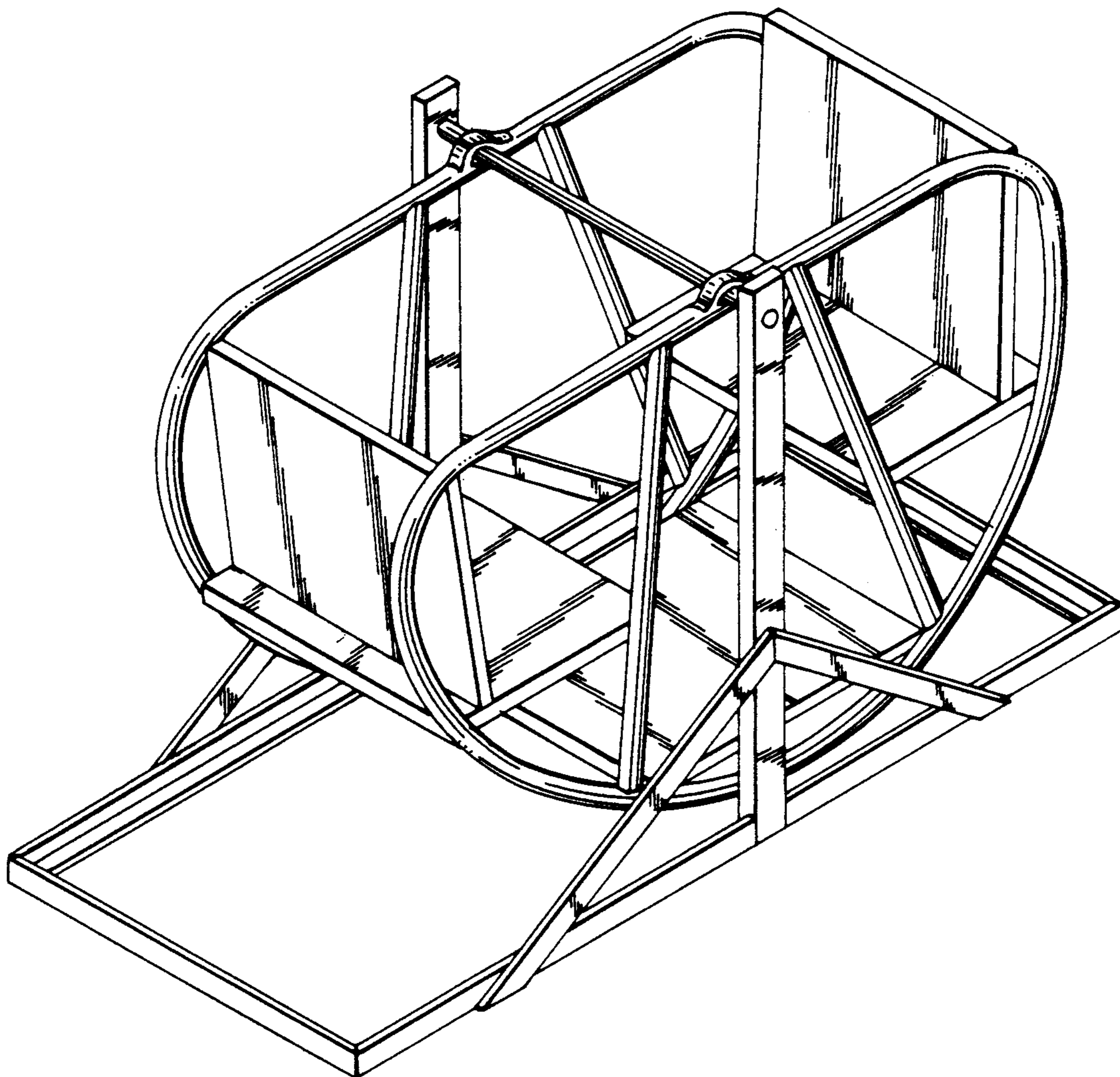
*Primary Examiner*—Melvin B. Feifer  
*Assistant Examiner*—Philip Hyder  
*Attorney, Agent, or Firm*—J. Helen Slough

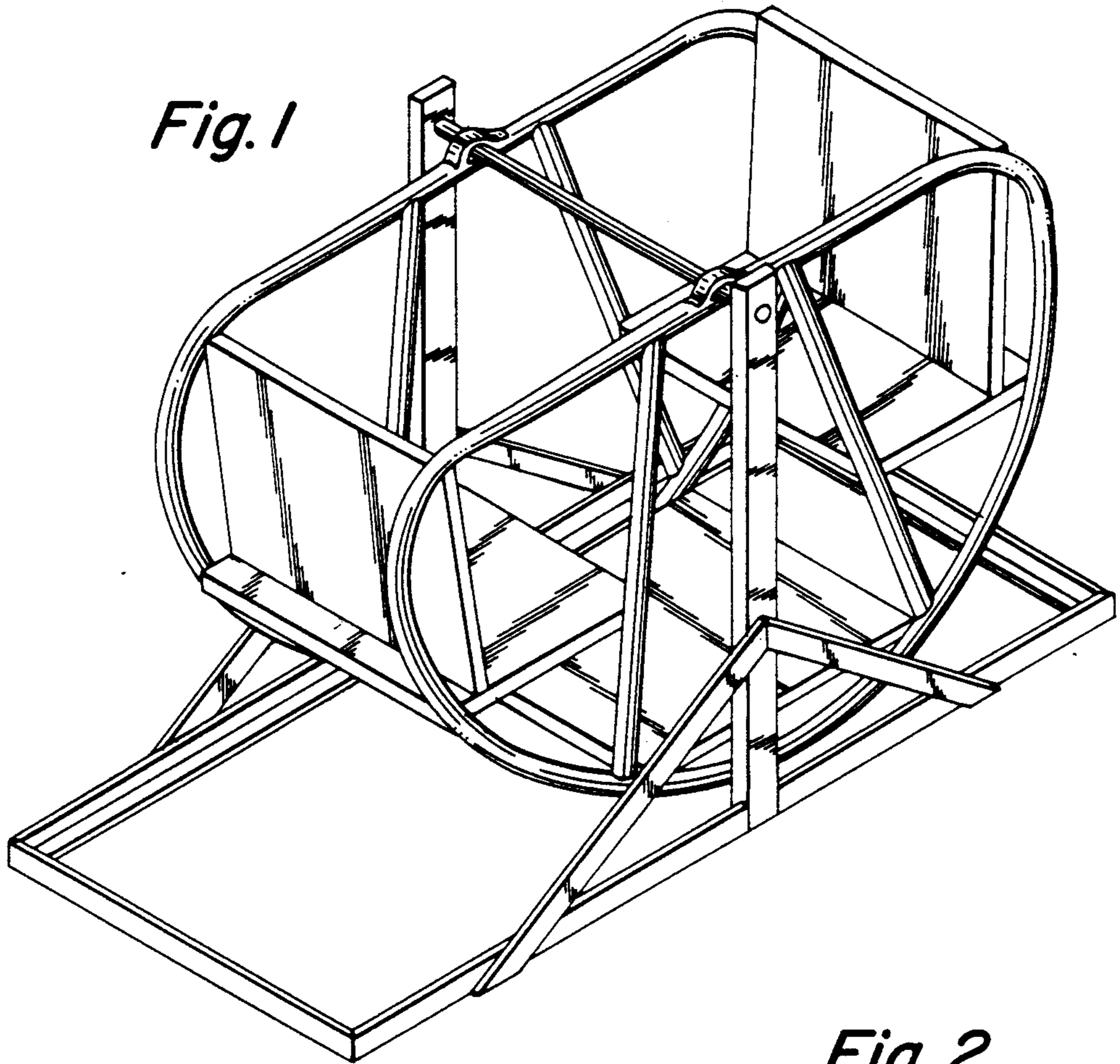
[57] **CLAIM**

The ornamental design for playground swing, as shown and described.

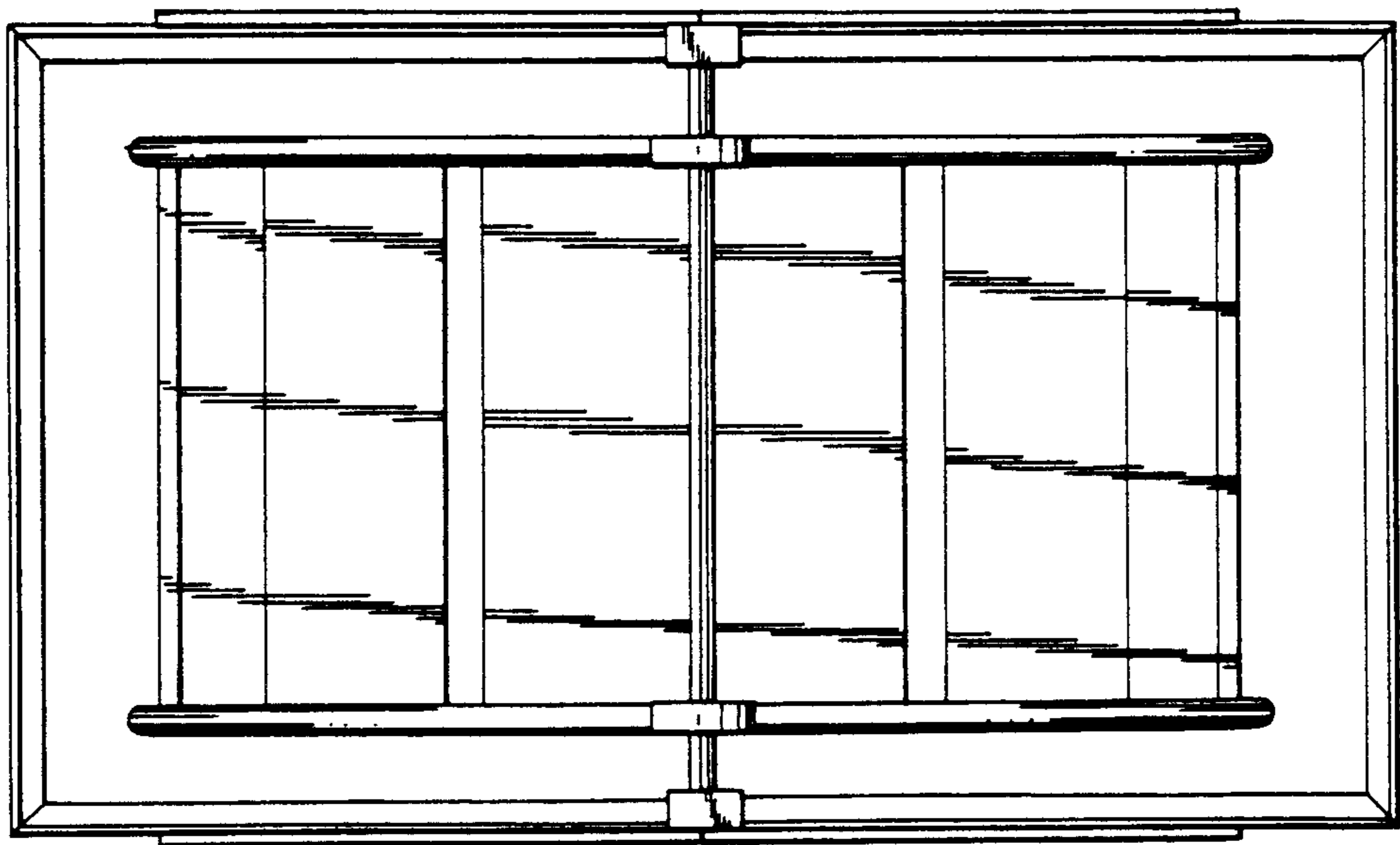
**DESCRIPTION**

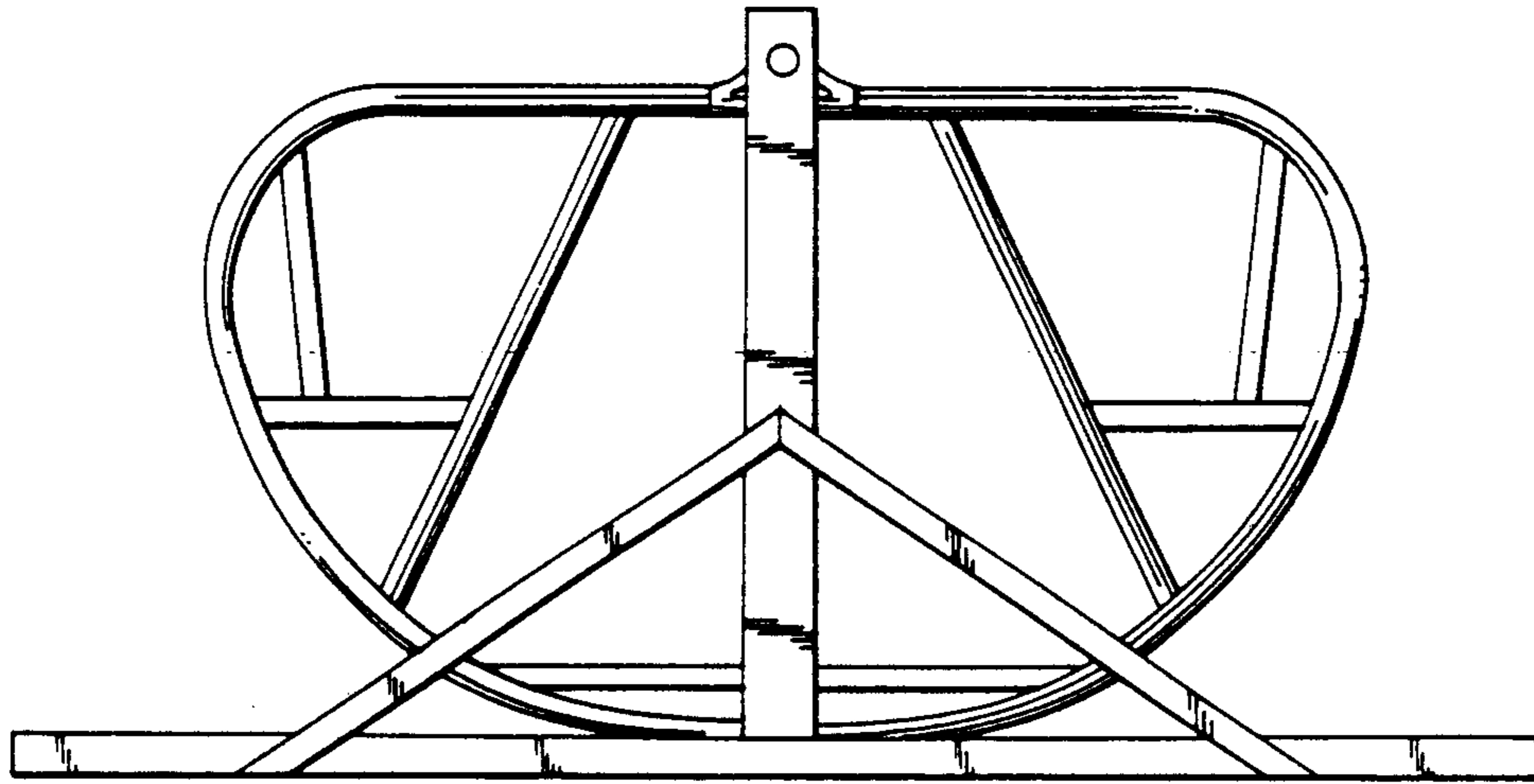
FIG. 1 is a perspective view of a playground swing showing my new design;  
FIG. 2 is a top plan view thereof;  
FIG. 3 is a side elevation view thereof;  
FIG. 4 is a end view thereof, both ends appearing the same; and  
FIG. 5 is a bottom plan view thereof.



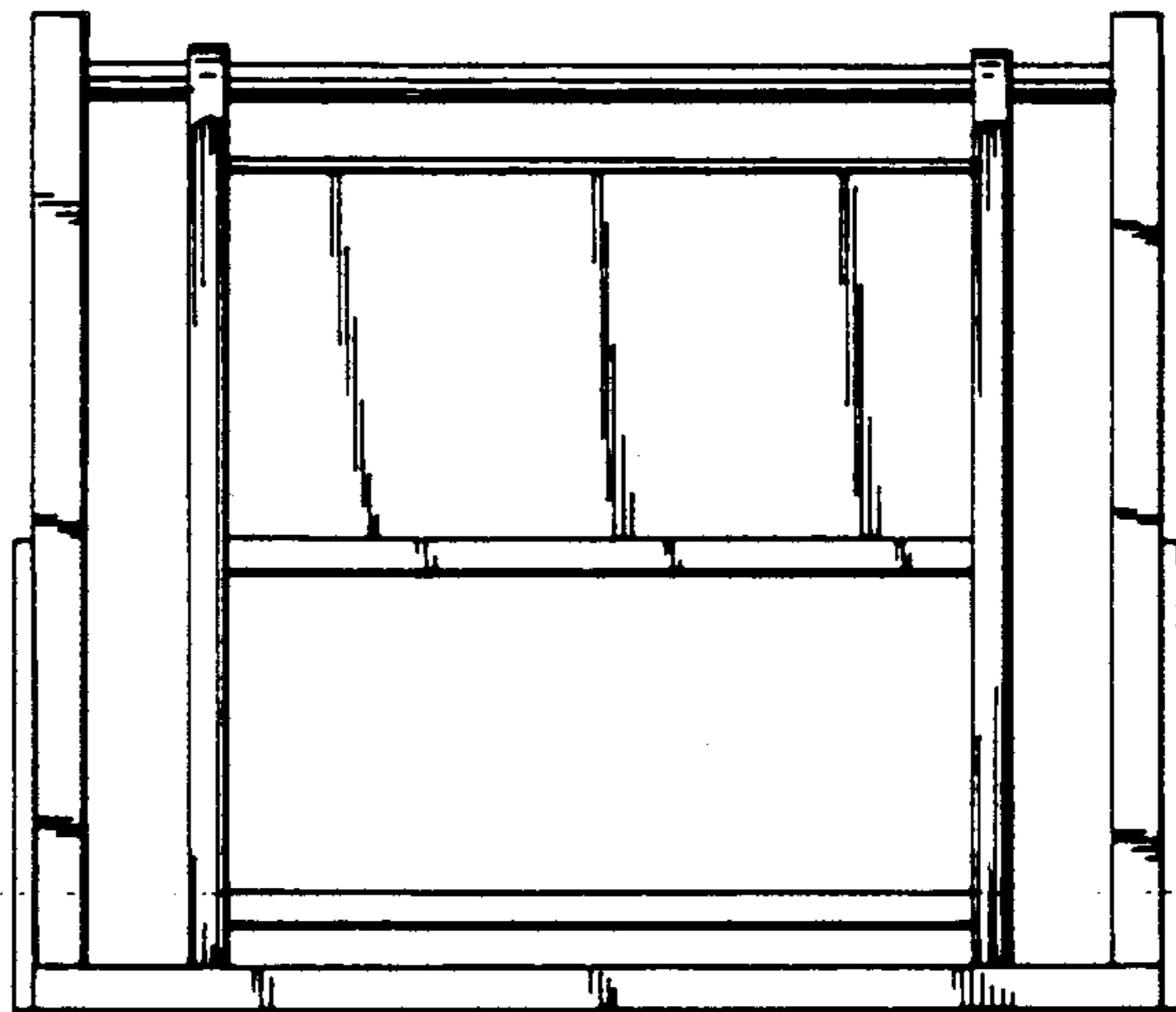


*Fig. 2*

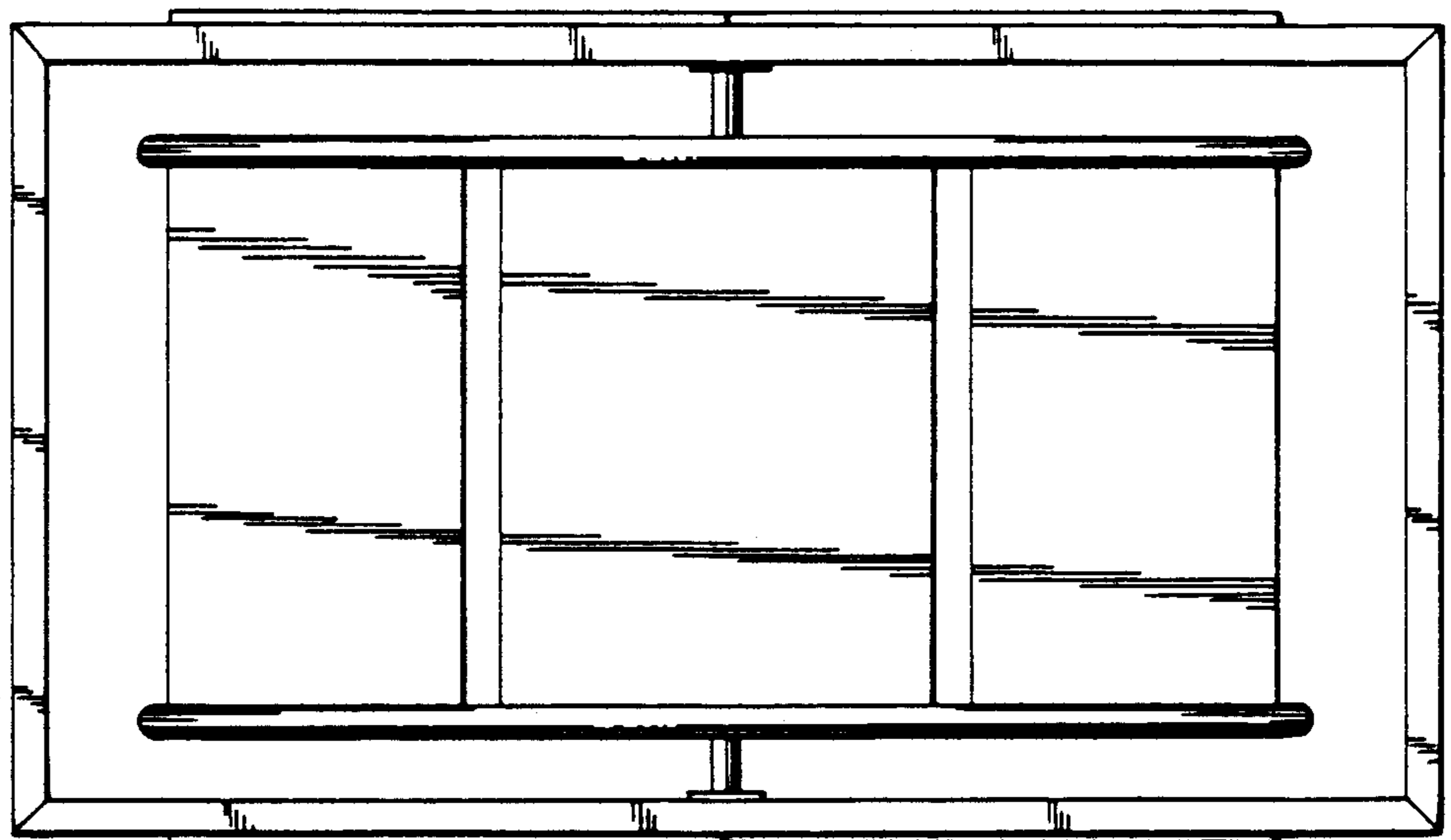




*Fig. 3*



*Fig. 4*



*Fig. 5*