

# United States Patent [19]

Measom et al.

[11] Patent Number: Des. 315,765

[45] Date of Patent: \*\* Mar. 26, 1991

[54] TREADMILL

[75] Inventors: S. Ty Measom, Logan; Scott R. Watterson, River Heights, both of Utah

[73] Assignee: Proform Fitness Products, Inc., Logan, Utah

[\*\*] Term: 14 Years

[21] Appl. No.: 307,073

[22] Filed: Feb. 3, 1989

[52] U.S. Cl. .... D21/192

[58] Field of Search ..... D21/191-199; 272/69, DIG. 6; 119/29

4,643,418 2/1987 Bart .  
4,759,540 7/1988 Yu et al. .... 272/69  
4,792,134 12/1988 Chen .

### FOREIGN PATENT DOCUMENTS

1400538 7/1975 United Kingdom .

### OTHER PUBLICATIONS

The Pans "Jog & Treadmill" Catalog, undated but known to originate in the 1984-1985 time frame.

Primary Examiner—Charles A. Rademaker  
Attorney, Agent, or Firm—Trask, Britt & Rossa

[57] CLAIM

The ornamental design for a treadmill, as shown and described.

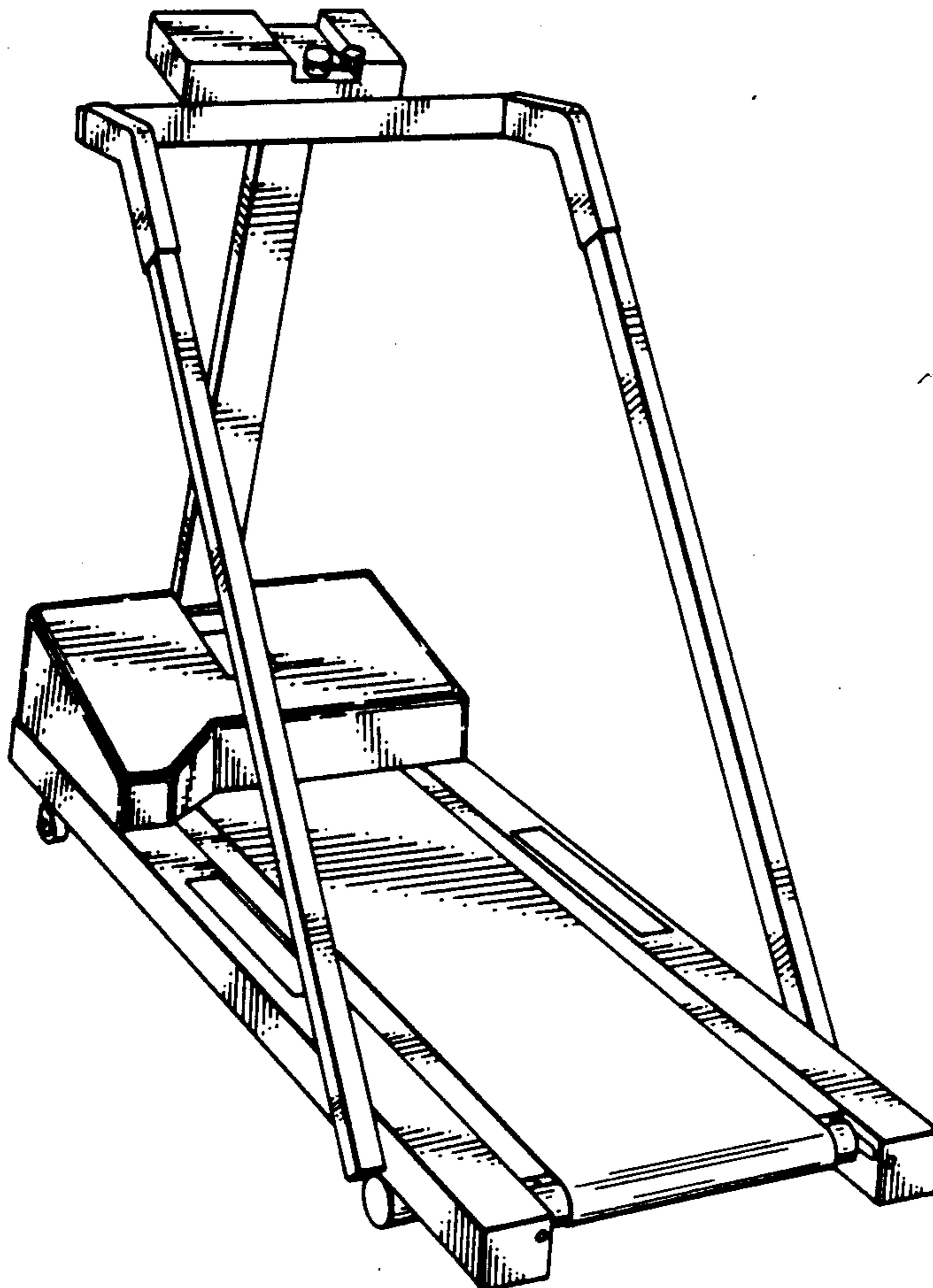
[56] References Cited

### U.S. PATENT DOCUMENTS

D. 280,002 8/1985 Smith ..... D21/192  
D. 283,239 4/1986 Smith et al. .... D21/192  
D. 289,668 5/1987 Gremonprez et al. .... D21/192  
3,703,284 11/1972 Hesen ..... 272/69  
4,344,616 8/1982 Ogden .  
4,502,679 3/1985 DeLorenzo .

### DESCRIPTION

FIG. 1 is a perspective view of a treadmill showing our new design;  
FIG. 2 is a left side elevational view;  
FIG. 3 is a right side elevational view;  
FIG. 4 is a top plan view;  
FIG. 5 is a rear elevational view; and,  
FIG. 6 is a front elevational view.



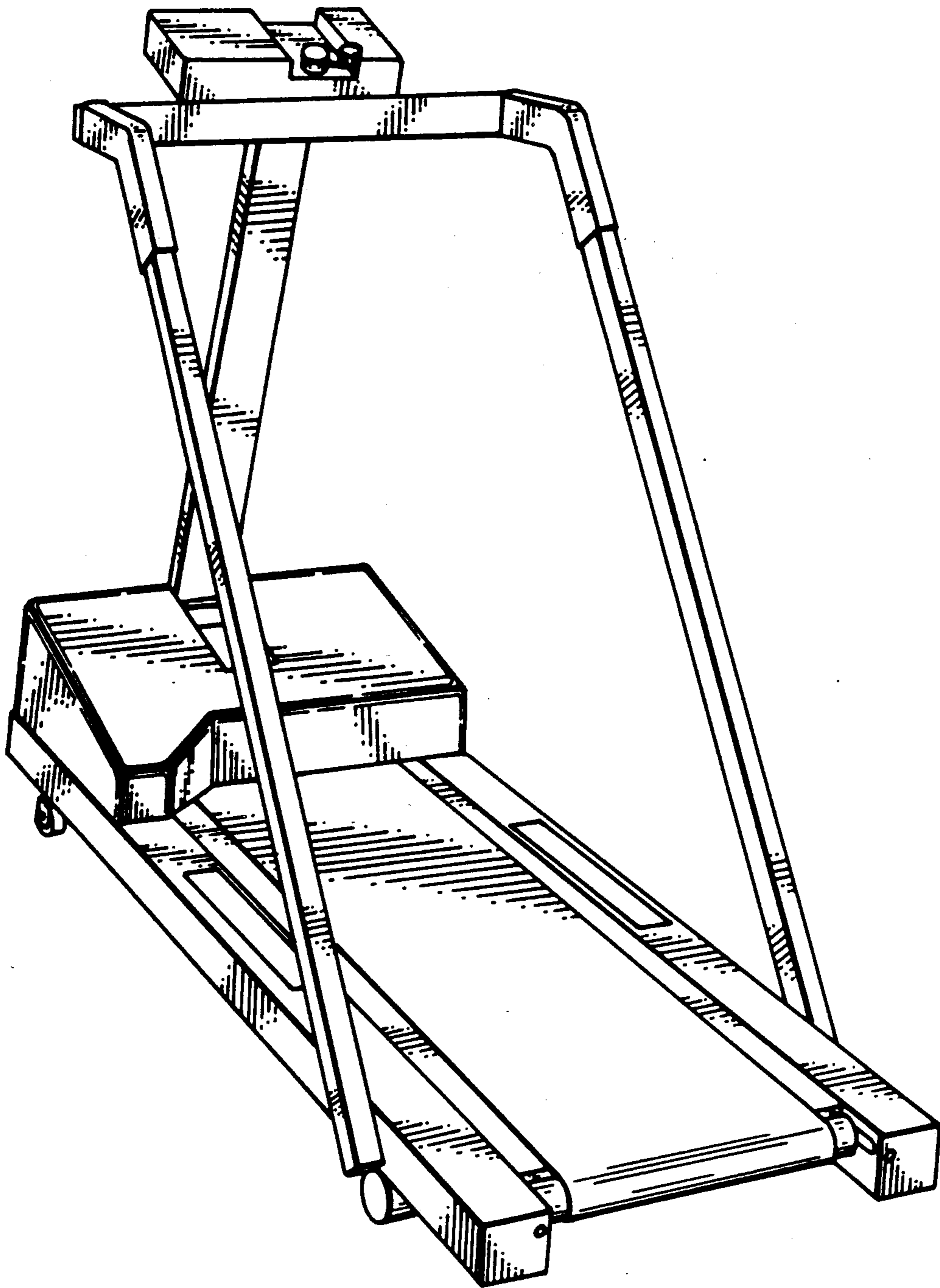


Fig. 1

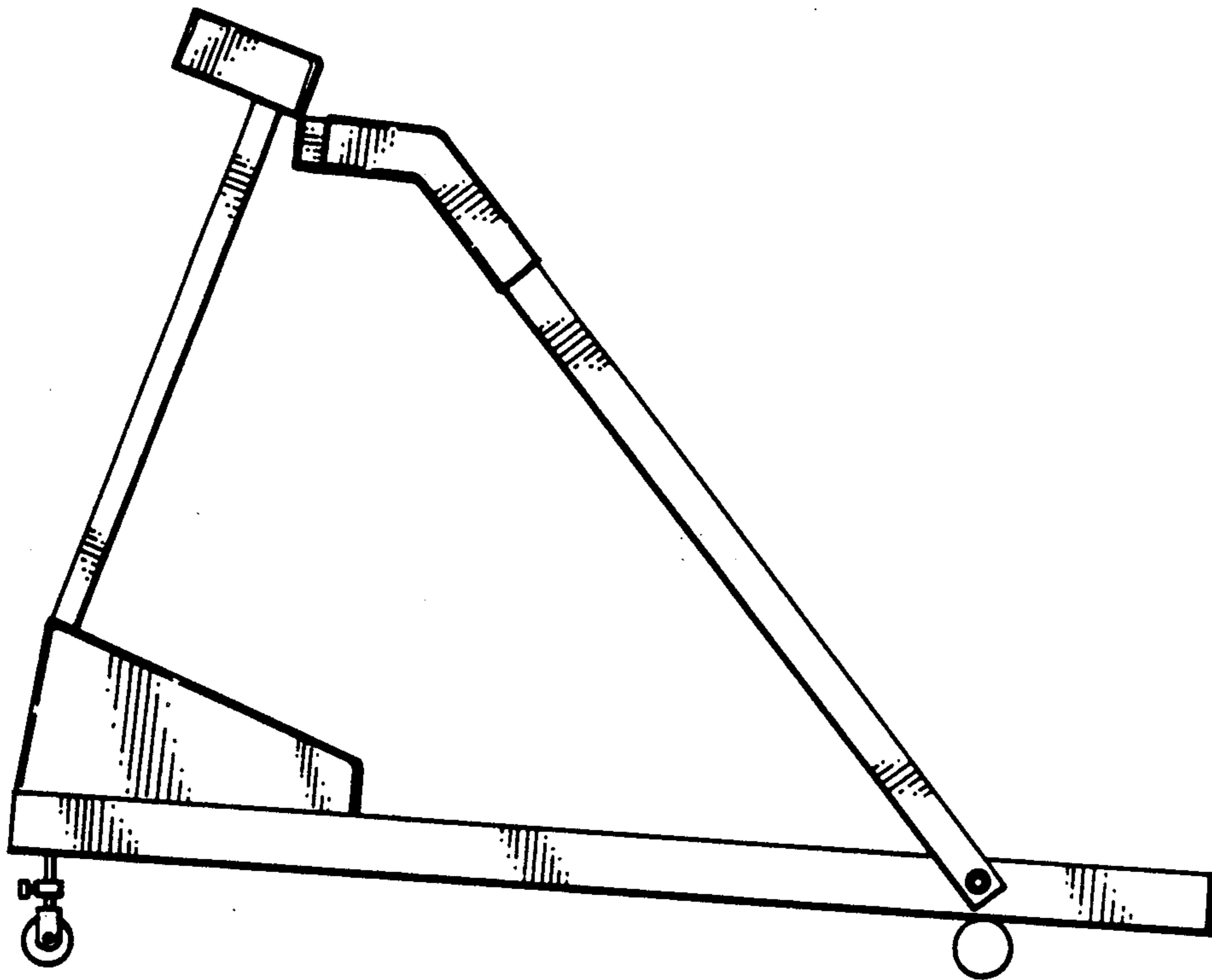


Fig. 2

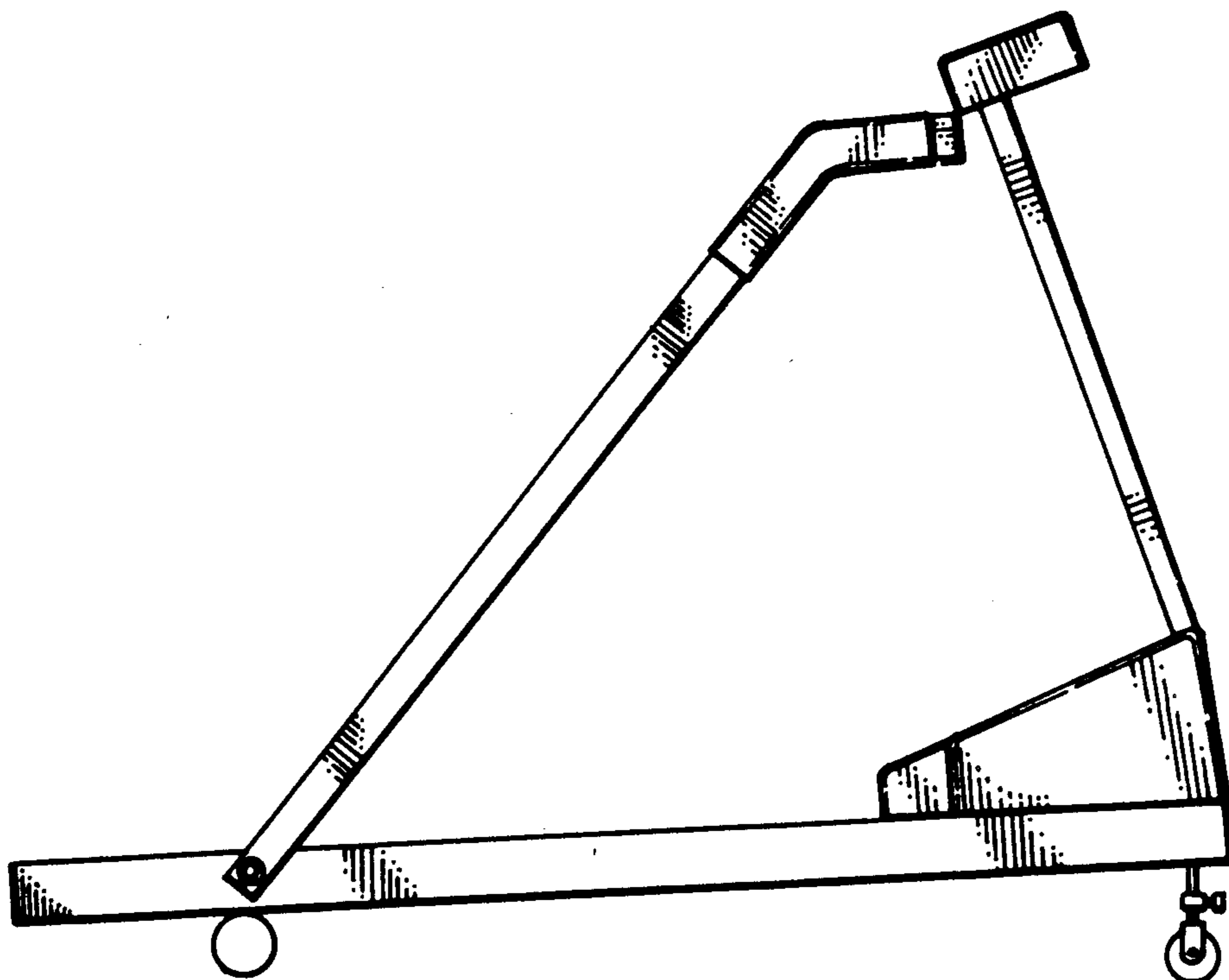


Fig. 3

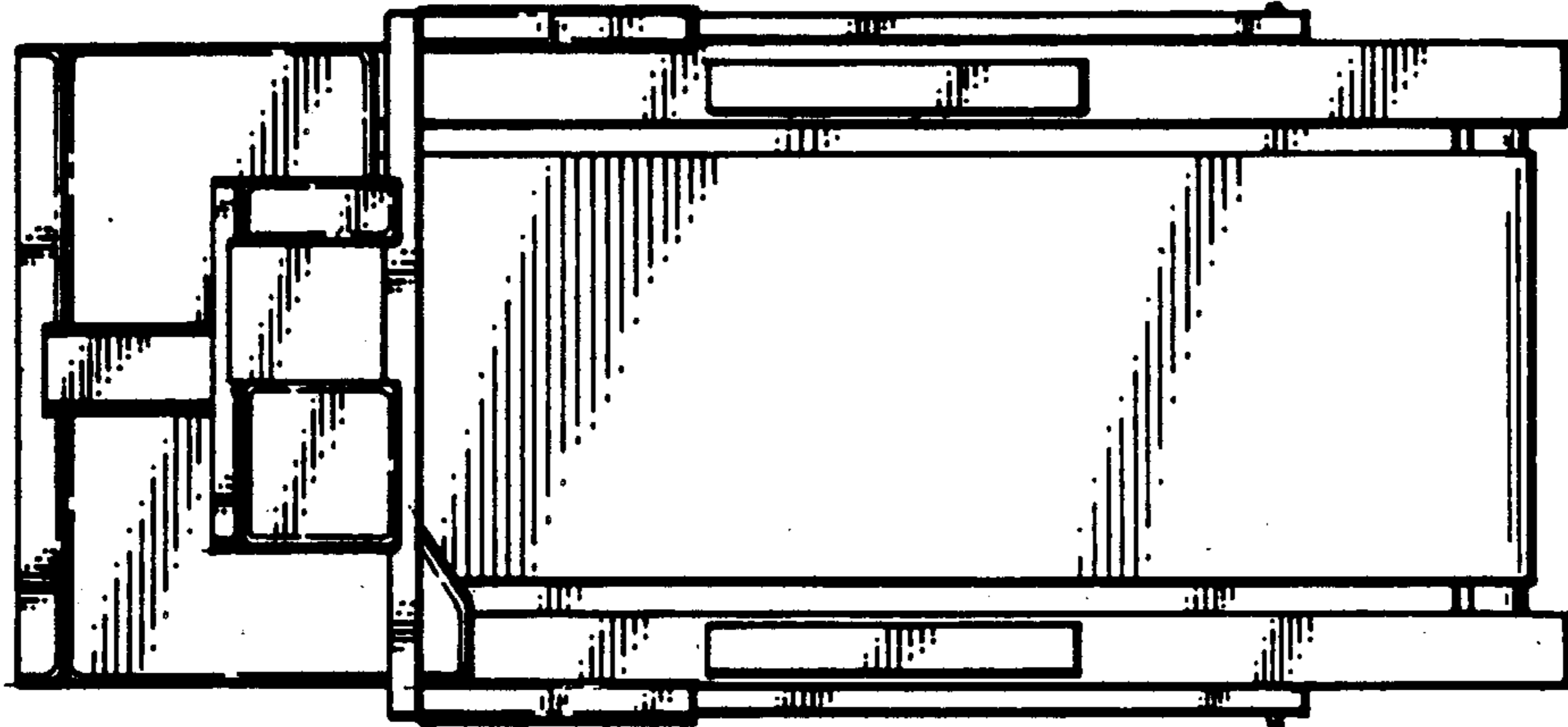


Fig. 4

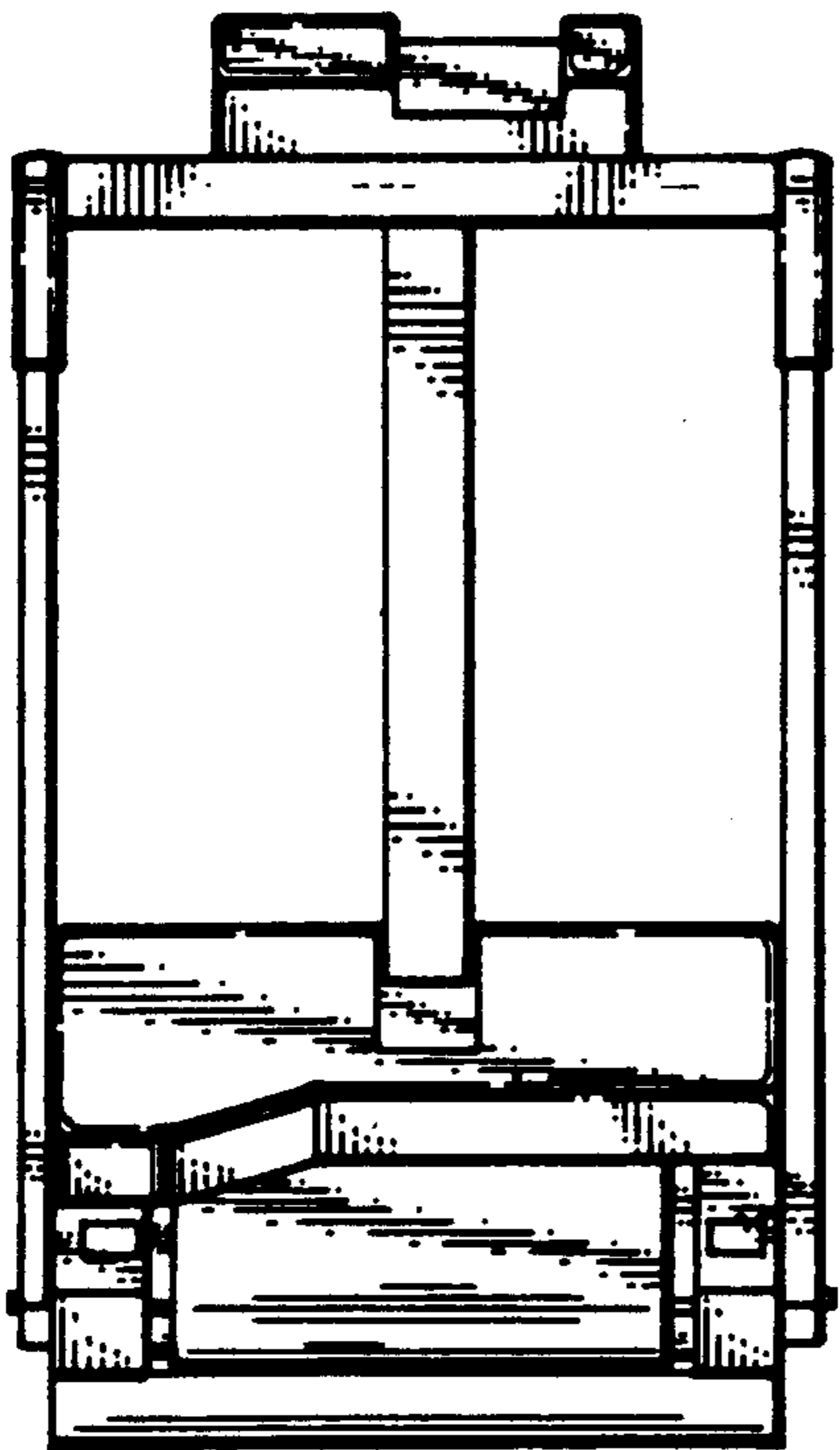


Fig. 5

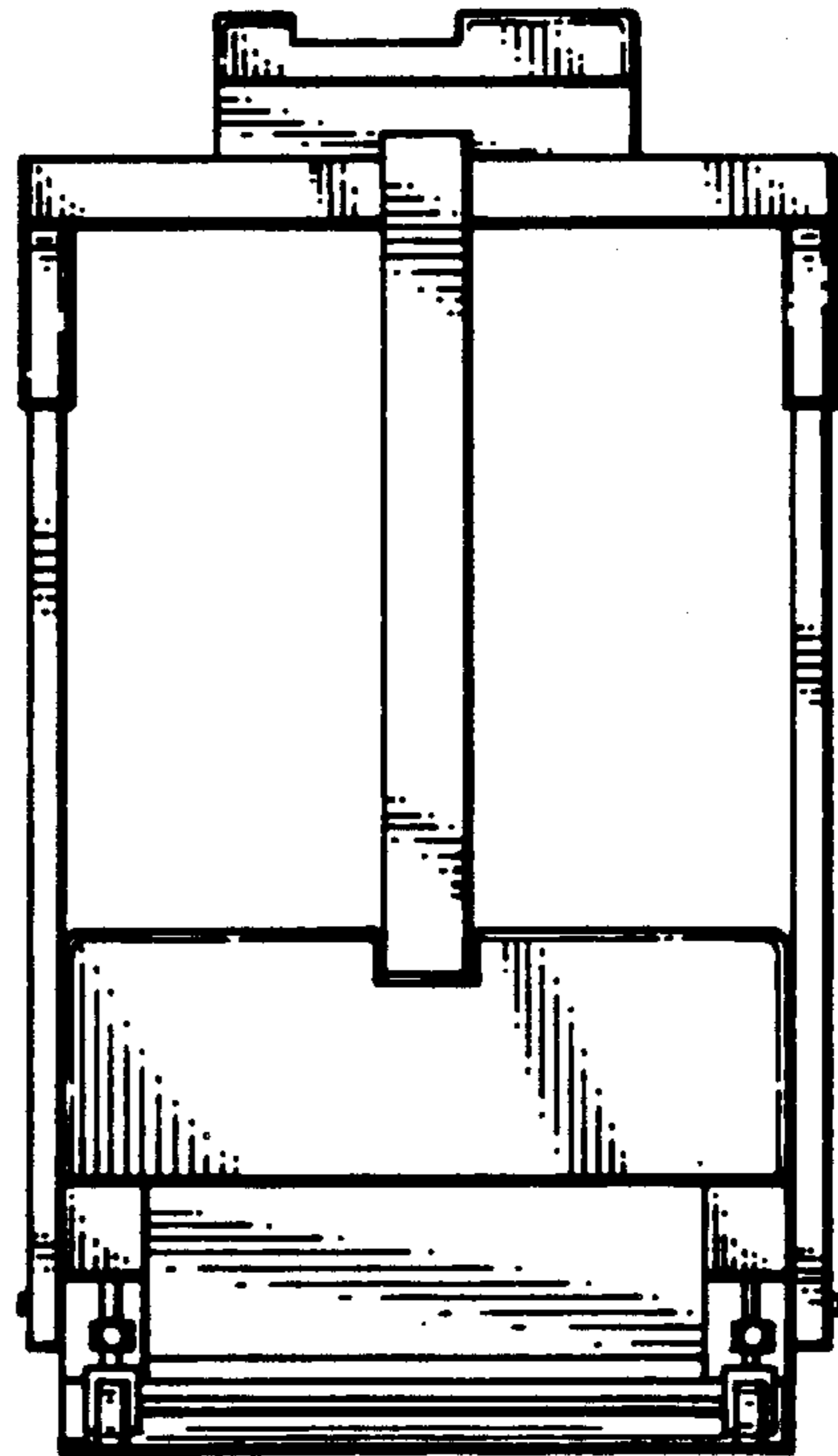


Fig. 6