

[54] **CHILD'S FIGURE TOY**

[75] **Inventors:** Harry S. Thomson, Richmond; David Raffo; John Pape, both of Hitchin, all of England

[73] **Assignee:** Monami Products Limited, Richmond, England

[**] **Term:** 14 Years

[21] **Appl. No.:** 154,060

[22] **Filed:** Feb. 9, 1988

[30] **Foreign Application Priority Data**

Aug. 13, 1987 [GB] United Kingdom 1044182

[52] **U.S. Cl.** **D21/155**

[58] **Field of Search** D21/155, 150; 446/325, 446/327, 396, 226

[56] **References Cited**

U.S. PATENT DOCUMENTS

D. 216,320 12/1969 Smith D21/159

D. 233,056 10/1974 Doe D21/155

OTHER PUBLICATIONS

Toys, Hobbies & Crafts, Feb., 1978, p. 188, bottom, Humpty Dumpty.

Primary Examiner—Melvin B. Feifer
Attorney, Agent, or Firm—Armstrong, Nikaido Marmelstein, Kubovcik & Murray

[57] **CLAIM**

The ornamental design for a child's figure toy, as shown.

DESCRIPTION

FIG. 1 is a front perspective view from above and one side of a child's figure toy showing our new design; FIG. 2 is a front elevation thereof; FIG. 3 is a rear elevation thereof; FIG. 4 is a side elevation thereof; FIG. 5 is the opposite side elevation thereof; FIG. 6 is a top plan view; and FIG. 7 is a bottom plan view.

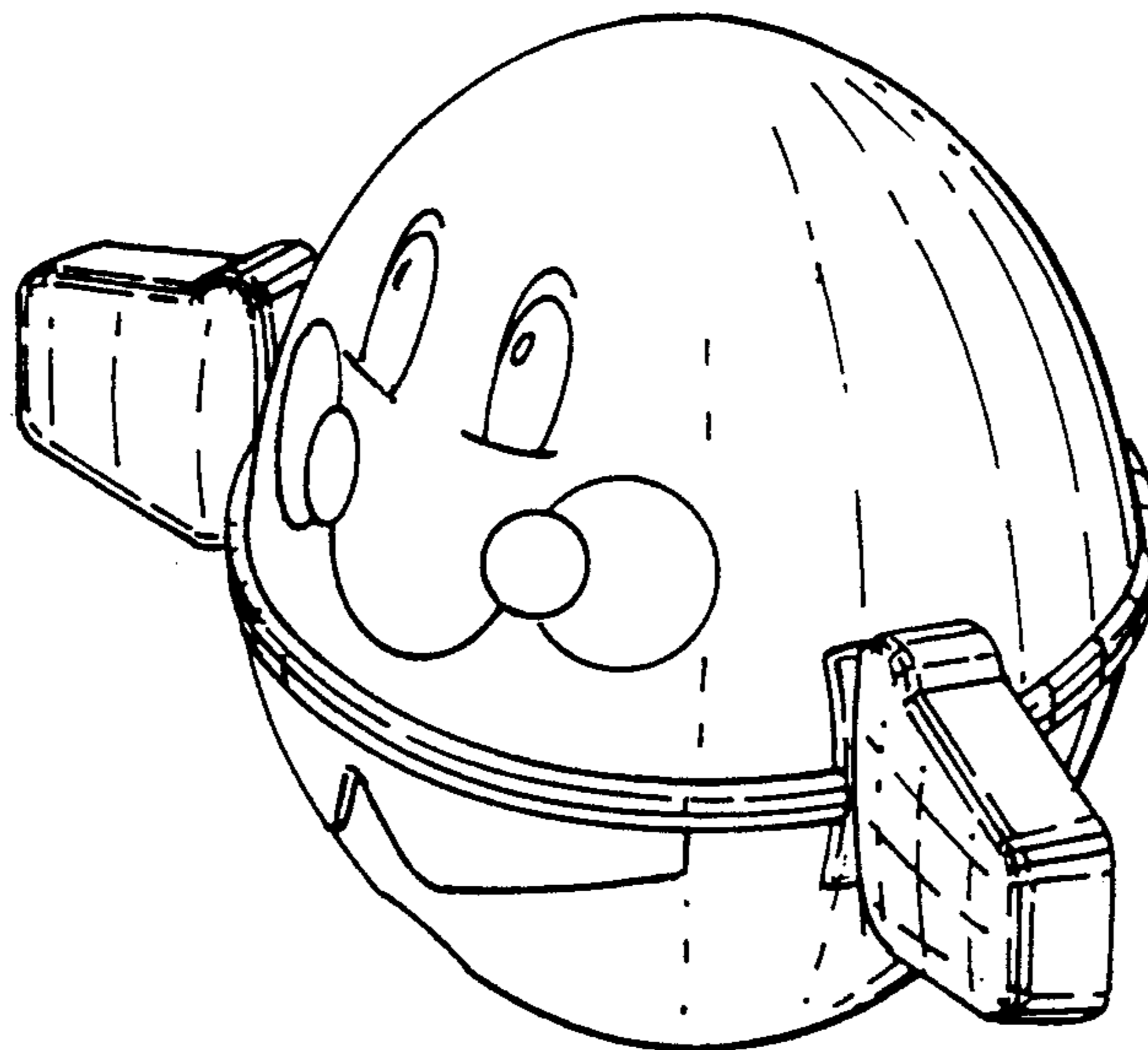


FIG. 1

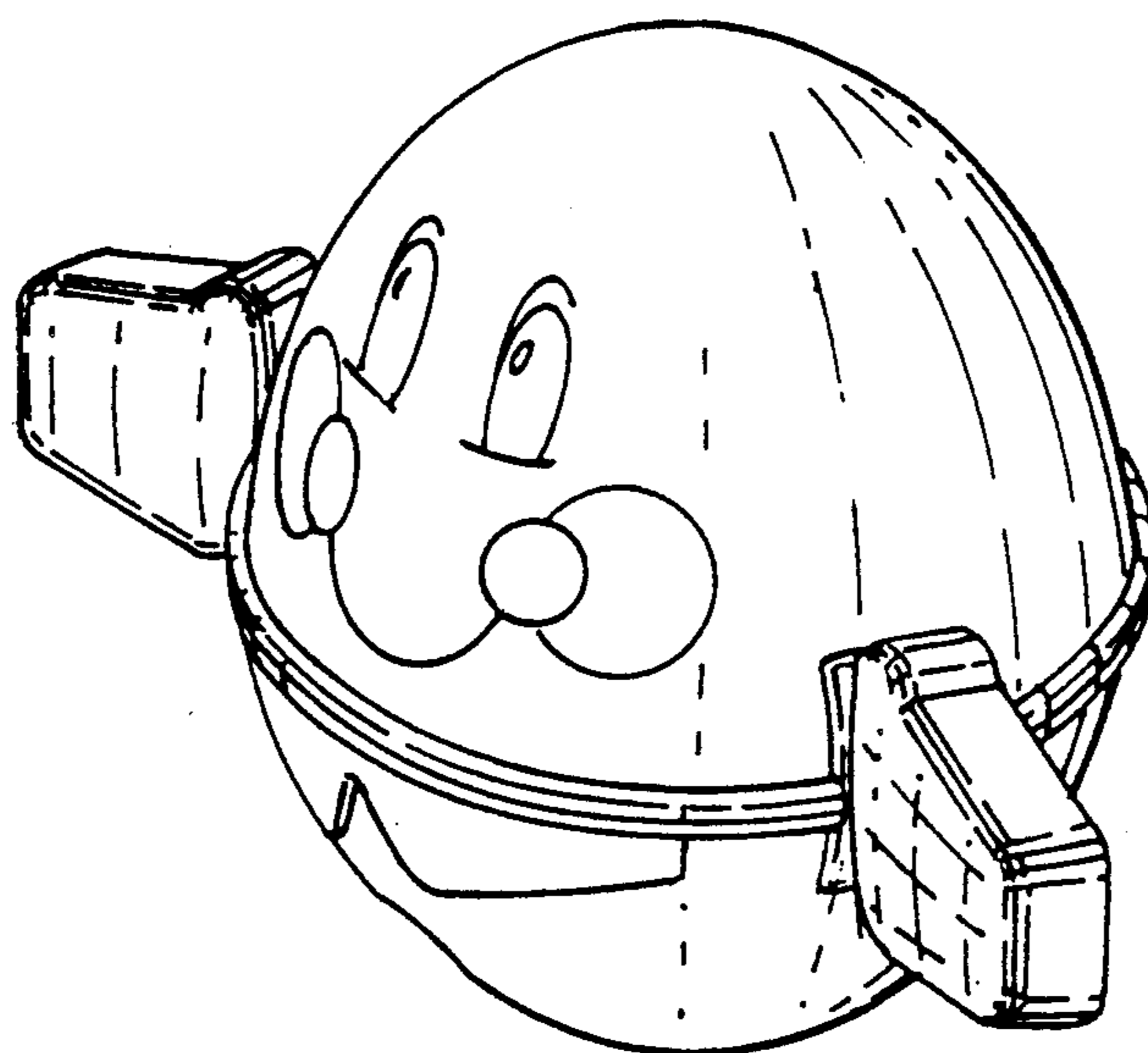


FIG. 2

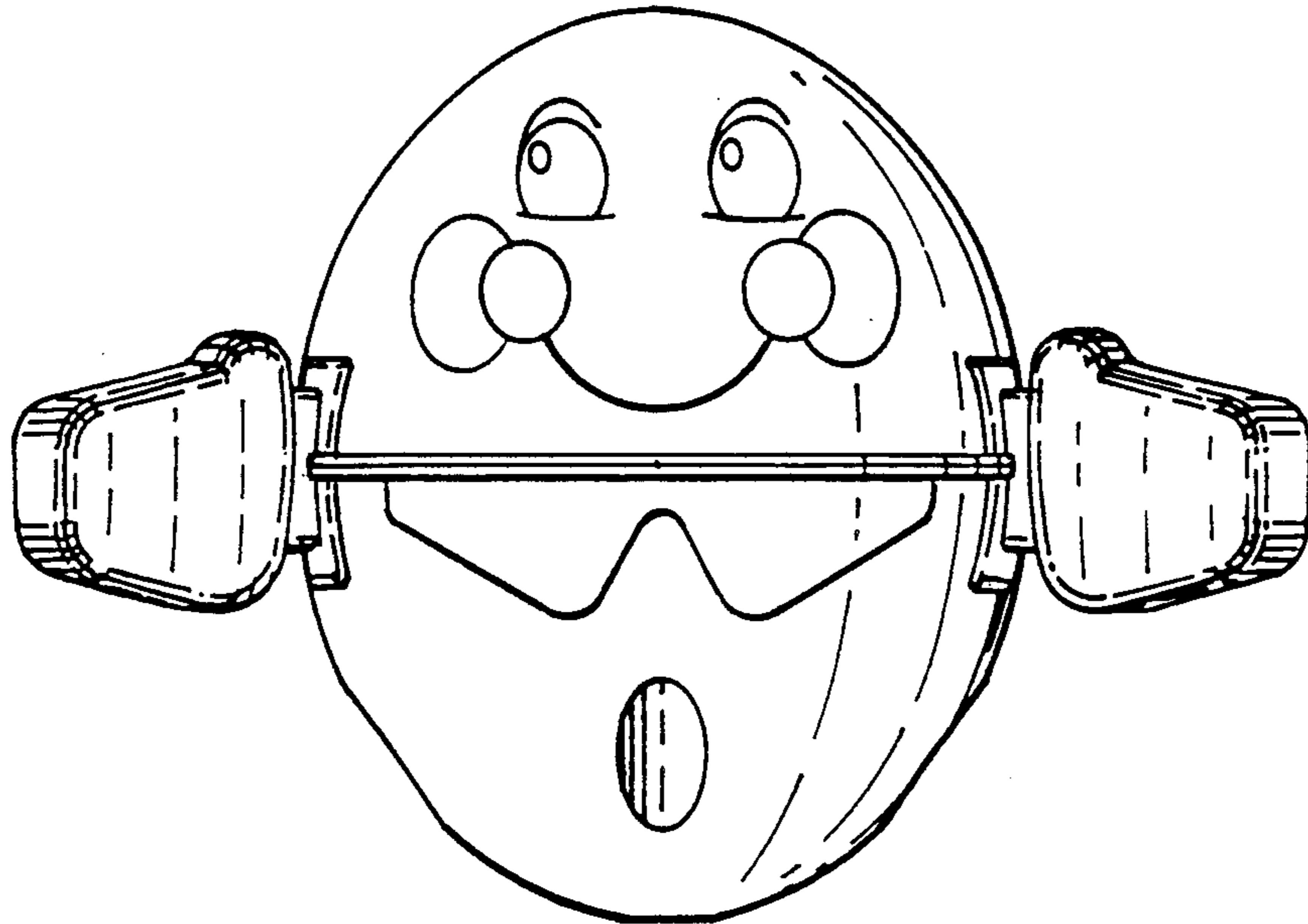


FIG. 3

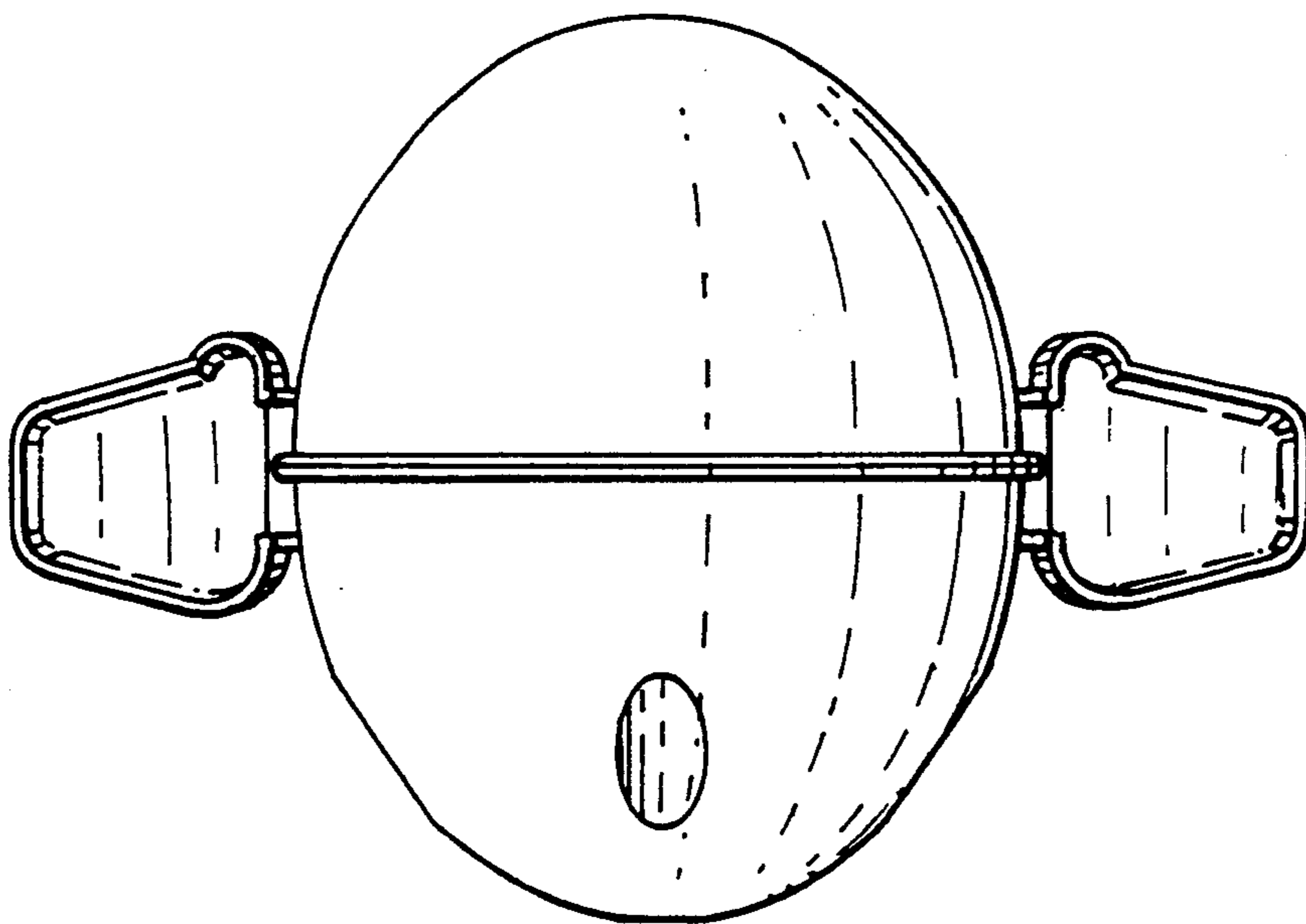


FIG. 4

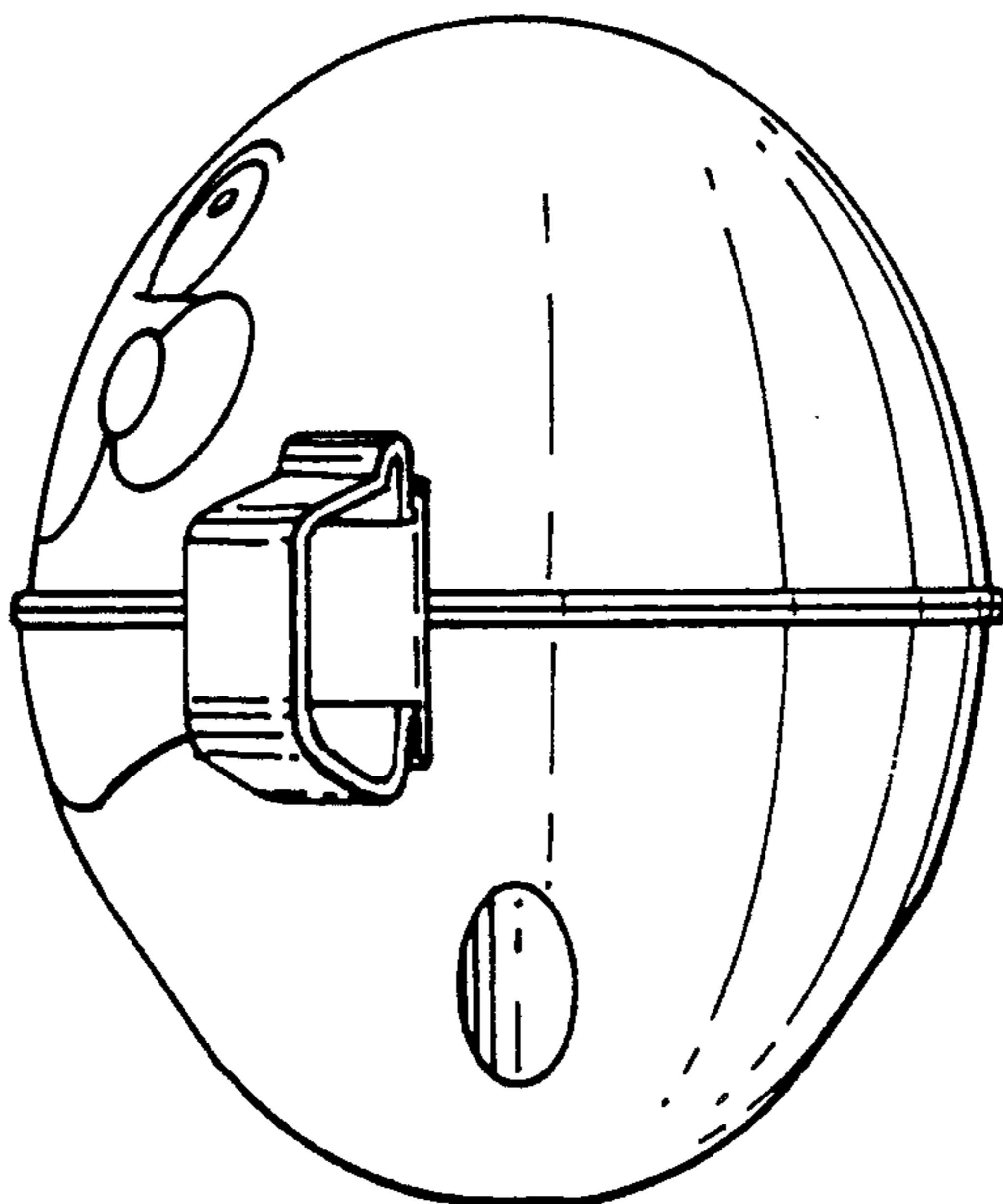


FIG. 5

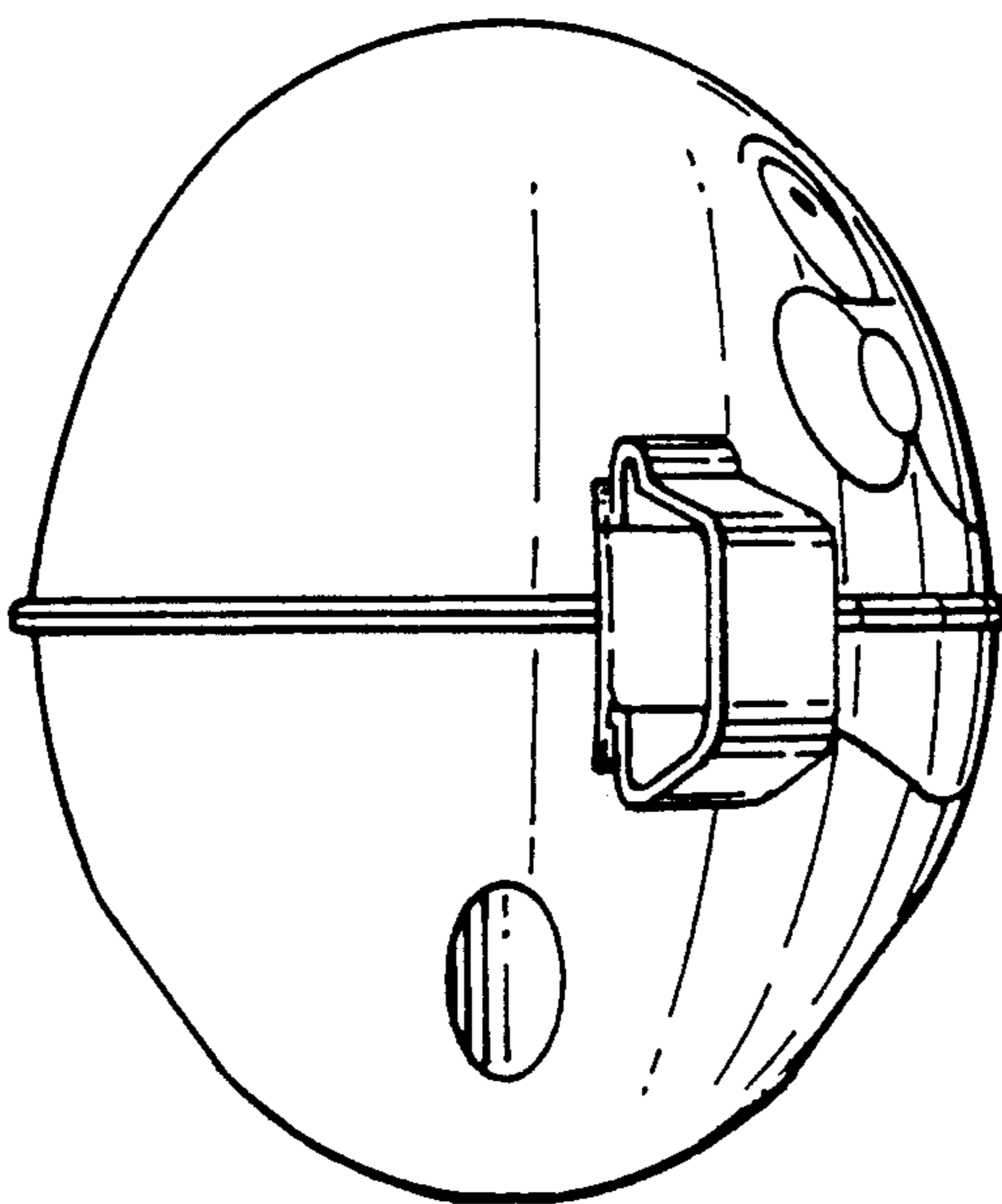


FIG. 6

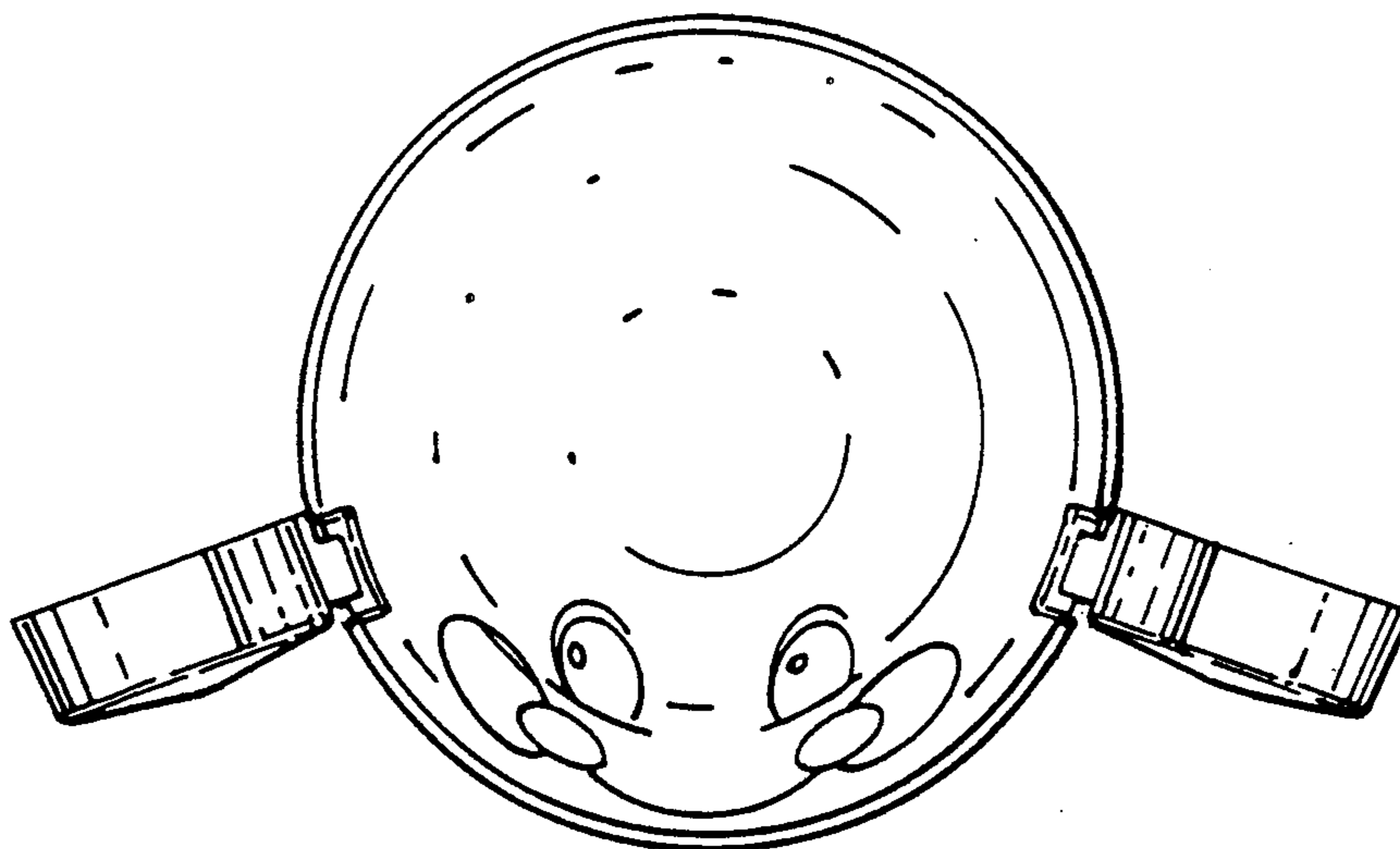


FIG. 7

