

[54] **TOY AIRPLANE COCKPIT**

[75] **Inventor: Toshiyuki Watanabe, Tokyo, Japan**

[73] **Assignee: Tomy Company Ltd., Tokyo, Japan**

[**] **Term: 14 Years**

[21] **Appl. No.: 350,684**

[22] **Filed: May 10, 1989**

[30] **Foreign Application Priority Data**

Nov. 11, 1988 [JP] Japan 63-44208
[52] **U.S. Cl. D21/142**
[58] **Field of Search D21/142-147,**
D21/141.1, 142, 71, 77; 42/54, 58; 446/473, 7,
26, 180, 181

[56] **References Cited**

U.S. PATENT DOCUMENTS

D. 207,652 5/1967 Horowitz D21/141.1
D. 209,913 1/1968 Gilbert D21/142
D. 305,048 12/1989 Moomaw D21/142
4,421,485 12/1983 Geschwender 446/7
4,793,610 12/1988 Moomaw 446/7

Primary Examiner—Charles A. Rademaker
Attorney, Agent, or Firm—Staas & Halsey

[57] **CLAIM**

The ornamental design for a toy airplane cockpit, as shown.

DESCRIPTION

FIG. 1 is a front elevational view of a toy airplane cockpit showing my new design;
FIG. 2 is a rear elevational view thereof;
FIG. 3 is a right-side elevational view thereof;
FIG. 4 is a left-side elevational view thereof;
FIG. 5 is a top plan view thereof; and
FIG. 6 is a bottom plan view;

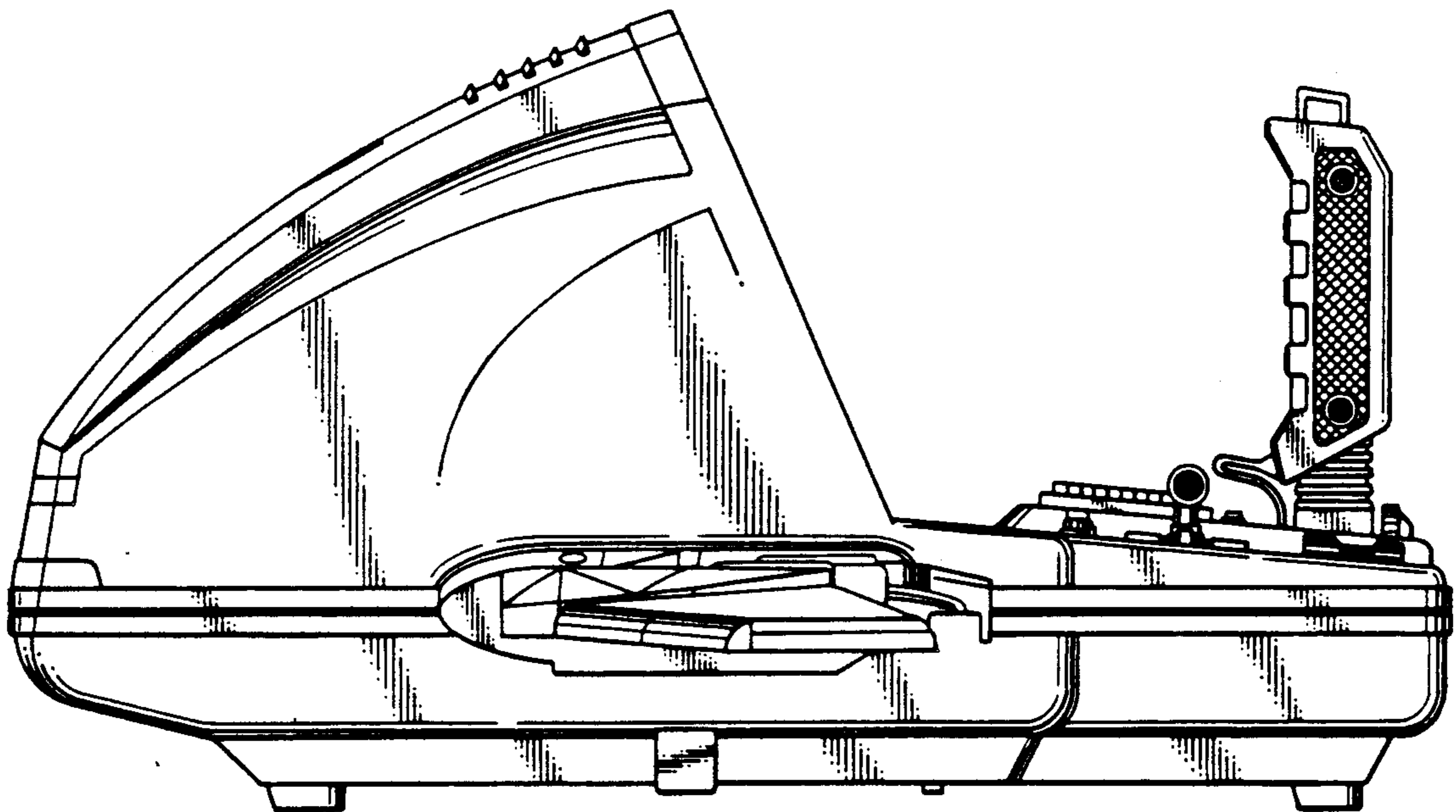


FIG. 1.

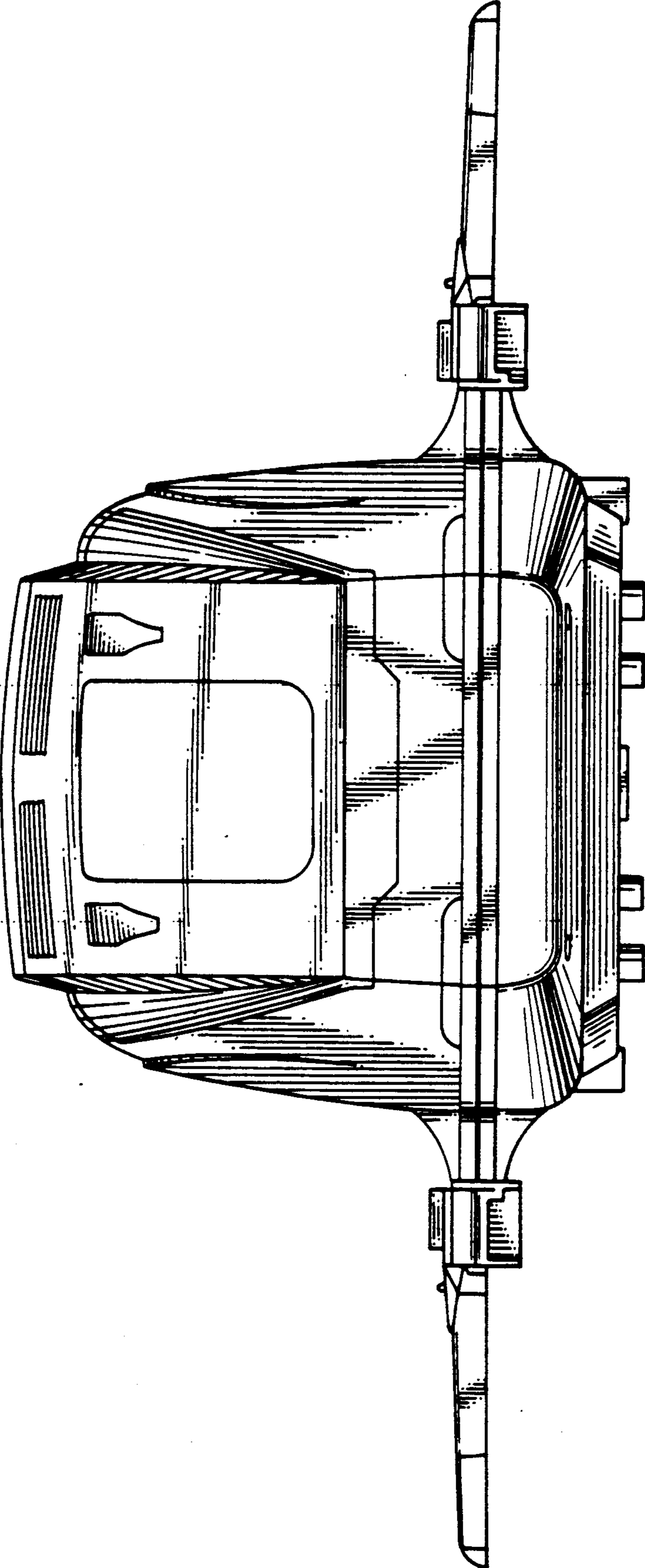


FIG. 2.

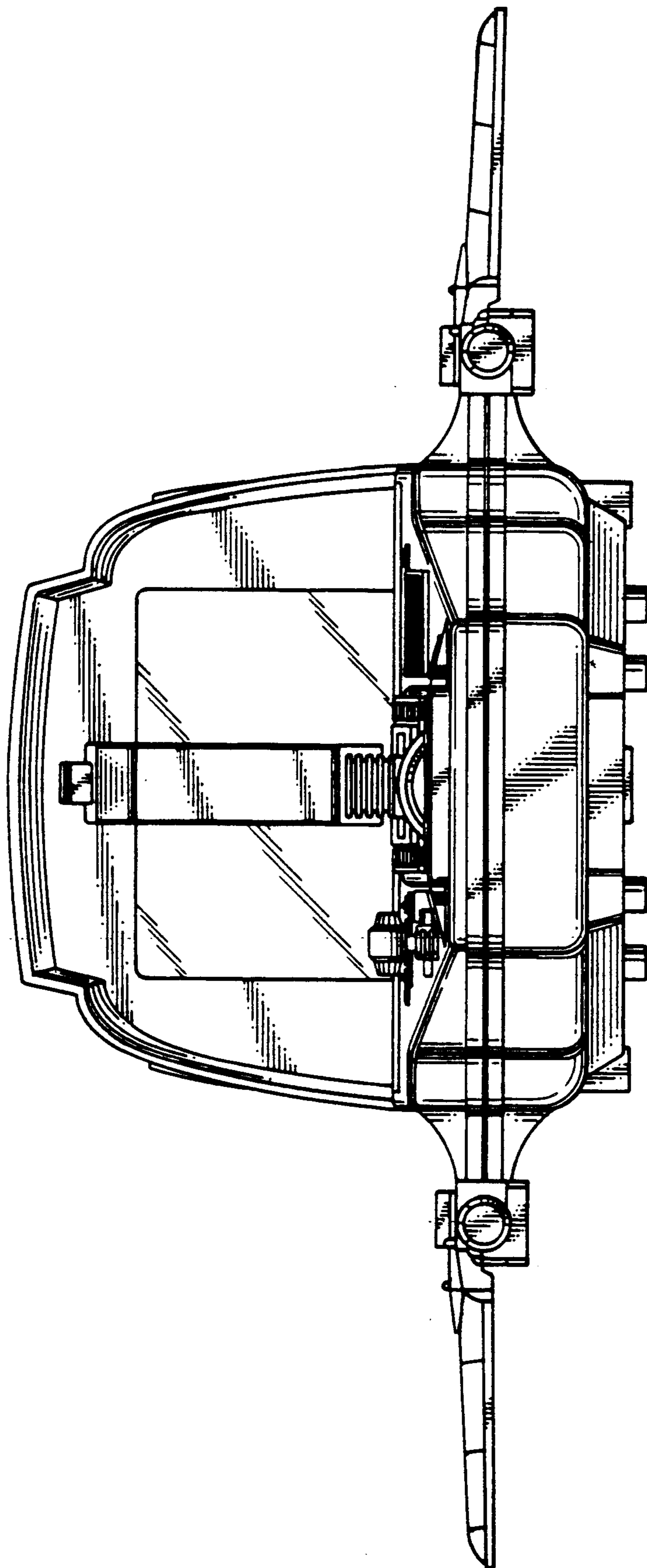


FIG. 3.

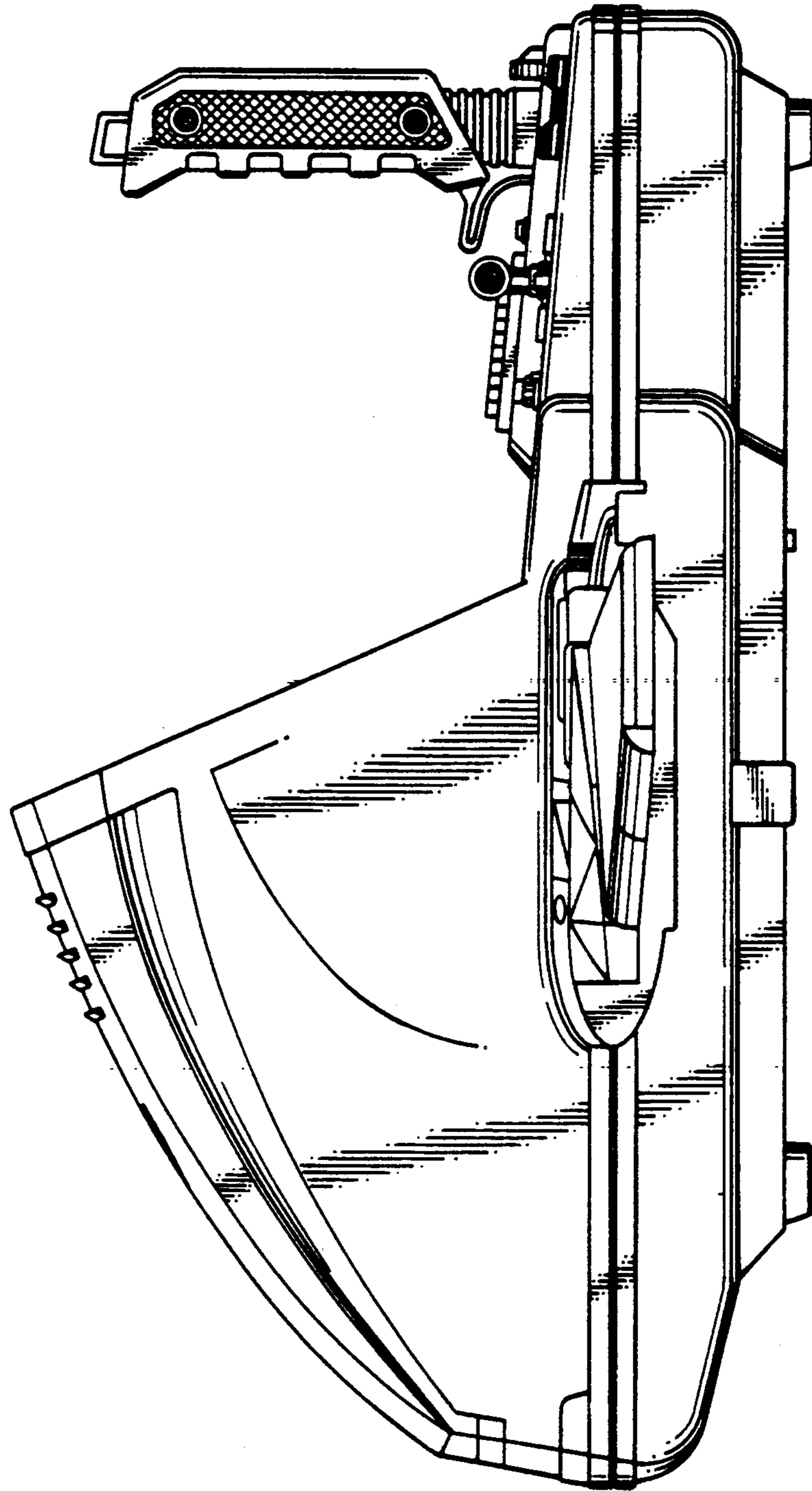
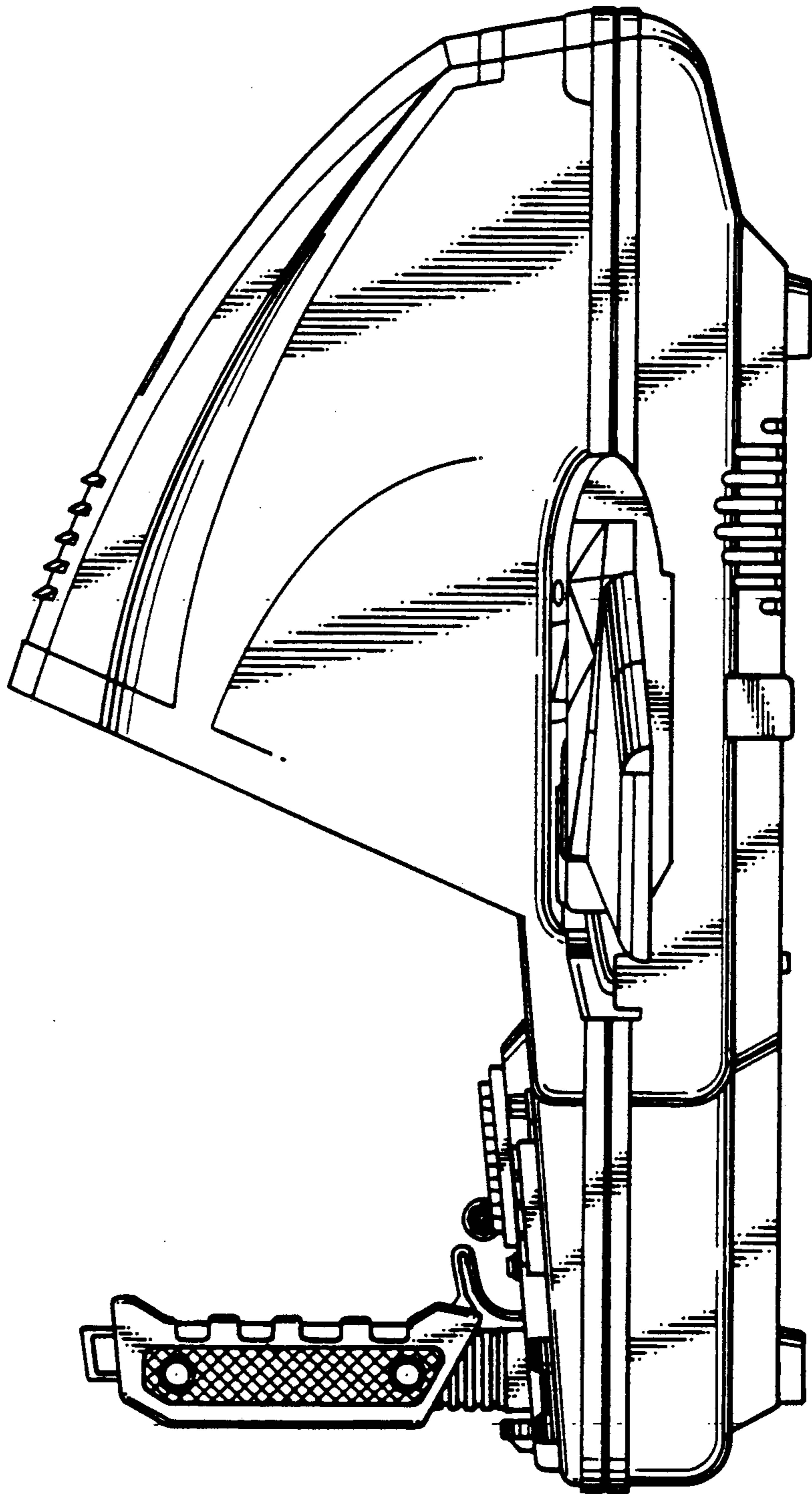


FIG. 4.



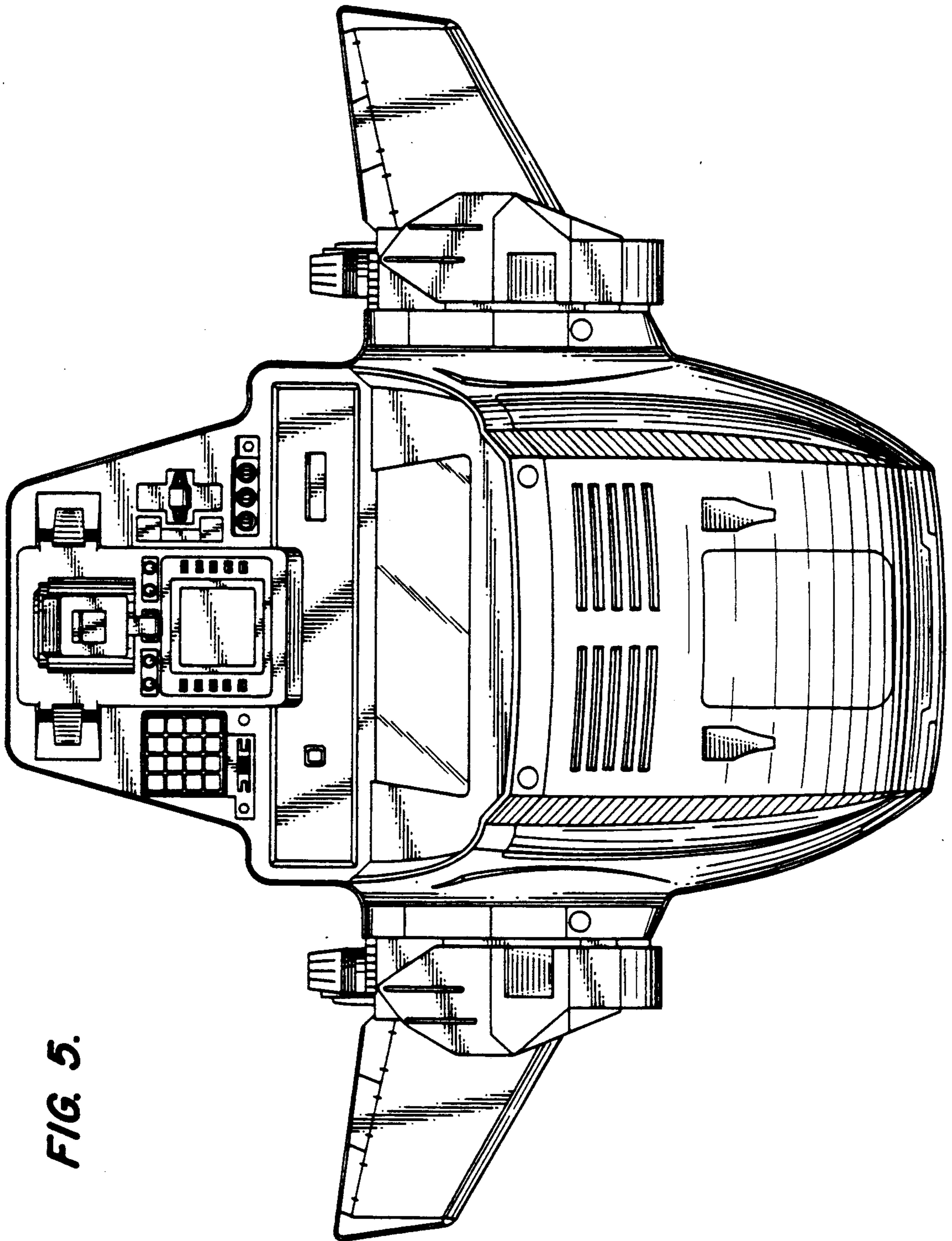


FIG. 5.

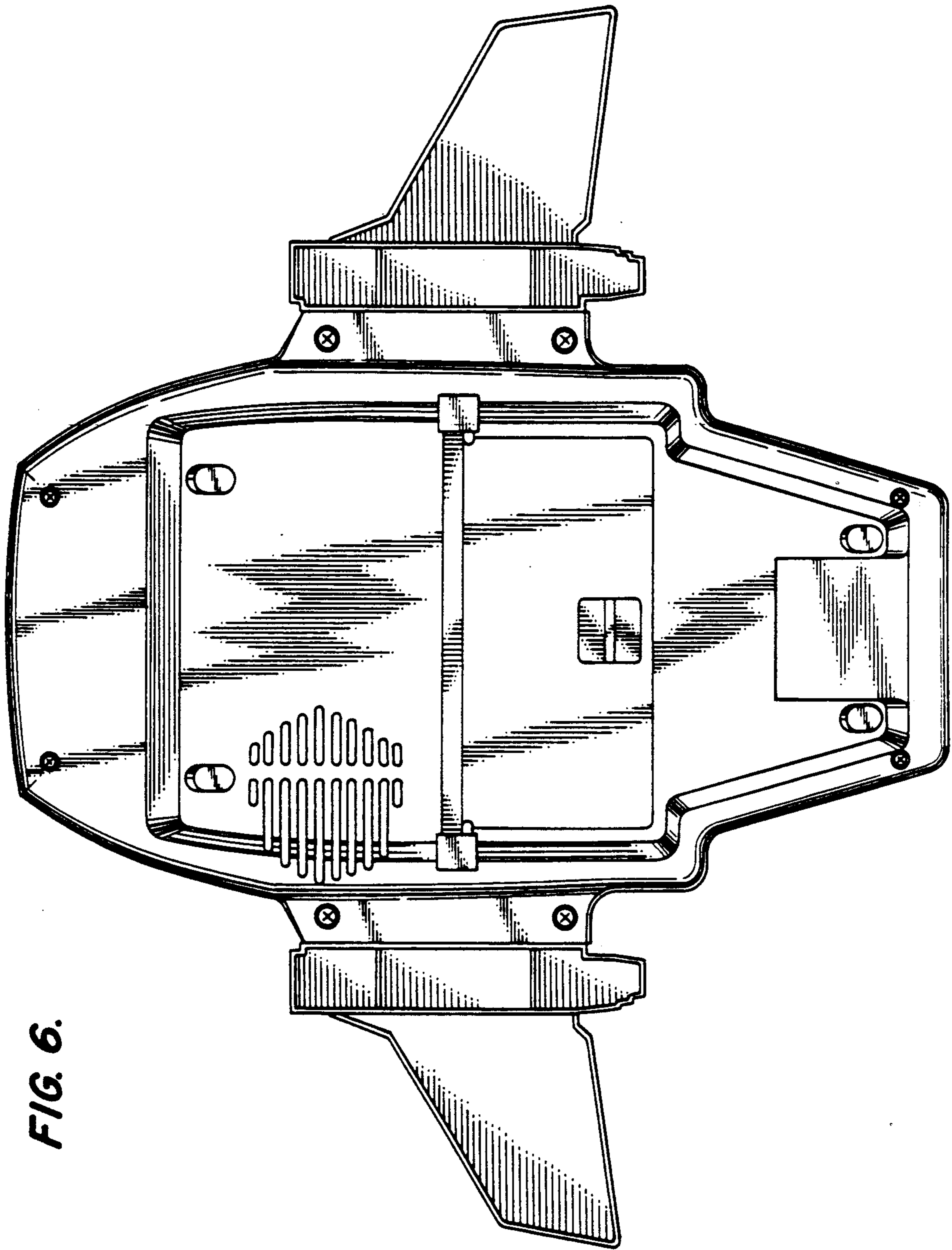


FIG. 6.