

[54] **TOY CART**

- [75] **Inventor:** Daniel B. Klitsner, San Francisco, Calif.
[73] **Assignee:** Discovery Toys, Inc., Martinez, Calif.
[**] **Term:** 14 Years
[21] **Appl. No.:** 387,688
[22] **Filed:** Jul. 31, 1989
[52] **U.S. Cl.** D21/134; D34/19
[58] **Field of Search** D21/128, 134, 136, 140, D21/141, 59, 71; D34/12, 40, 19; 446/465, 470, 428, 434, 451, 117; 280/33.991, 79.2

[56] **References Cited**

U.S. PATENT DOCUMENTS

- D. 167,212 8/1952 Ippolito D21/134
D. 242,660 12/1976 Astle D34/40
D. 274,012 5/1984 Williams D34/40

OTHER PUBLICATIONS

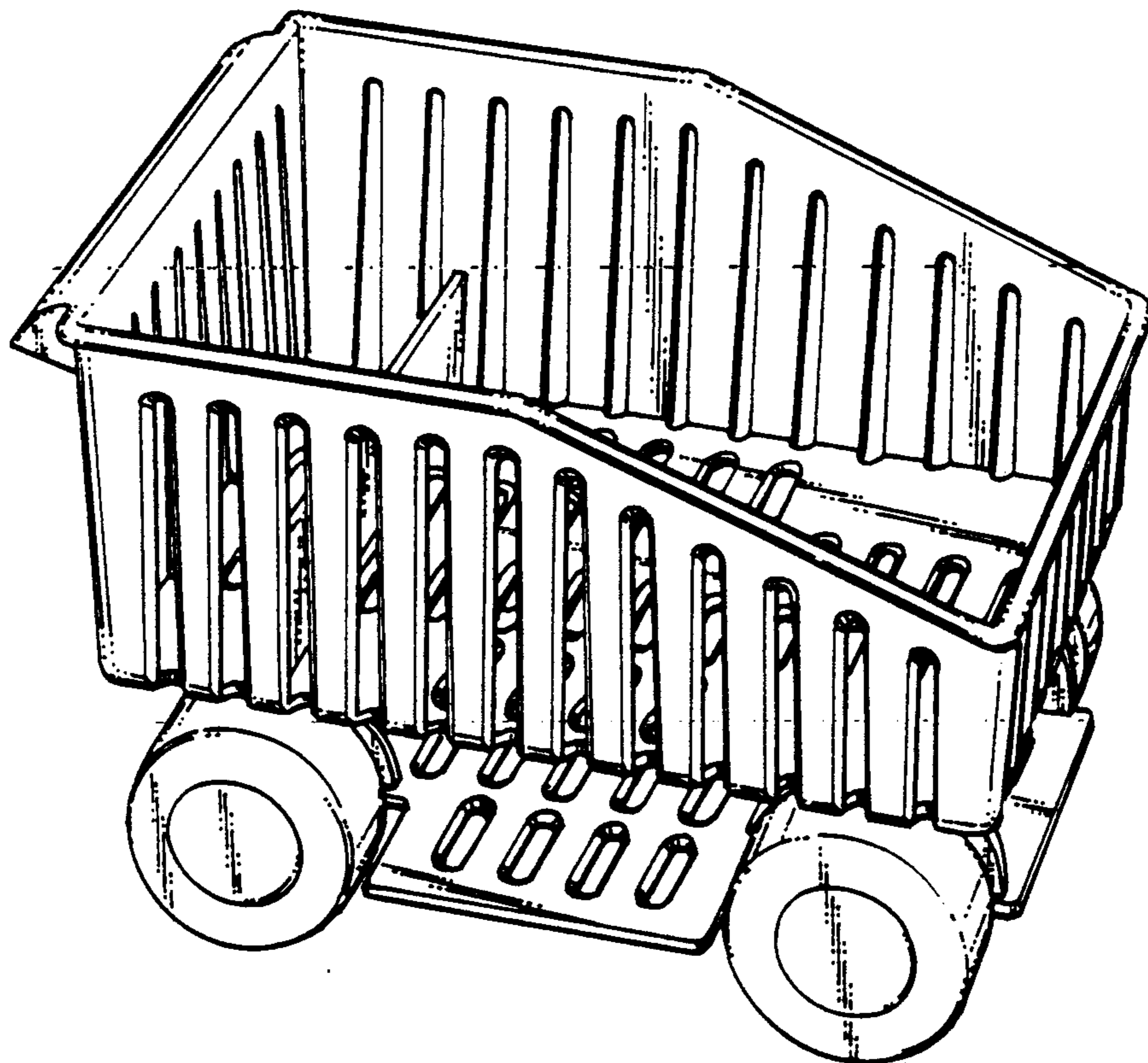
- Hong Kong Toys '88 p. 467, top middle.
Primary Examiner—Charles A. Rademaker
Assistant Examiner—Raphael Barkai
Attorney, Agent, or Firm—Townsend and Townsend

[57] **CLAIM**

The ornamental design for a toy cart, as shown and described.

DESCRIPTION

FIG. 1 is a perspective view of a toy cart showing my new design;
FIG. 2 is a top plan view thereof;
FIG. 3 is a front elevational view thereof;
FIG. 4 is a left side elevational view, the right side elevational view being a mirror image;
FIG. 5 is a rear elevational view thereof; and
FIG. 6 is a bottom plan view.



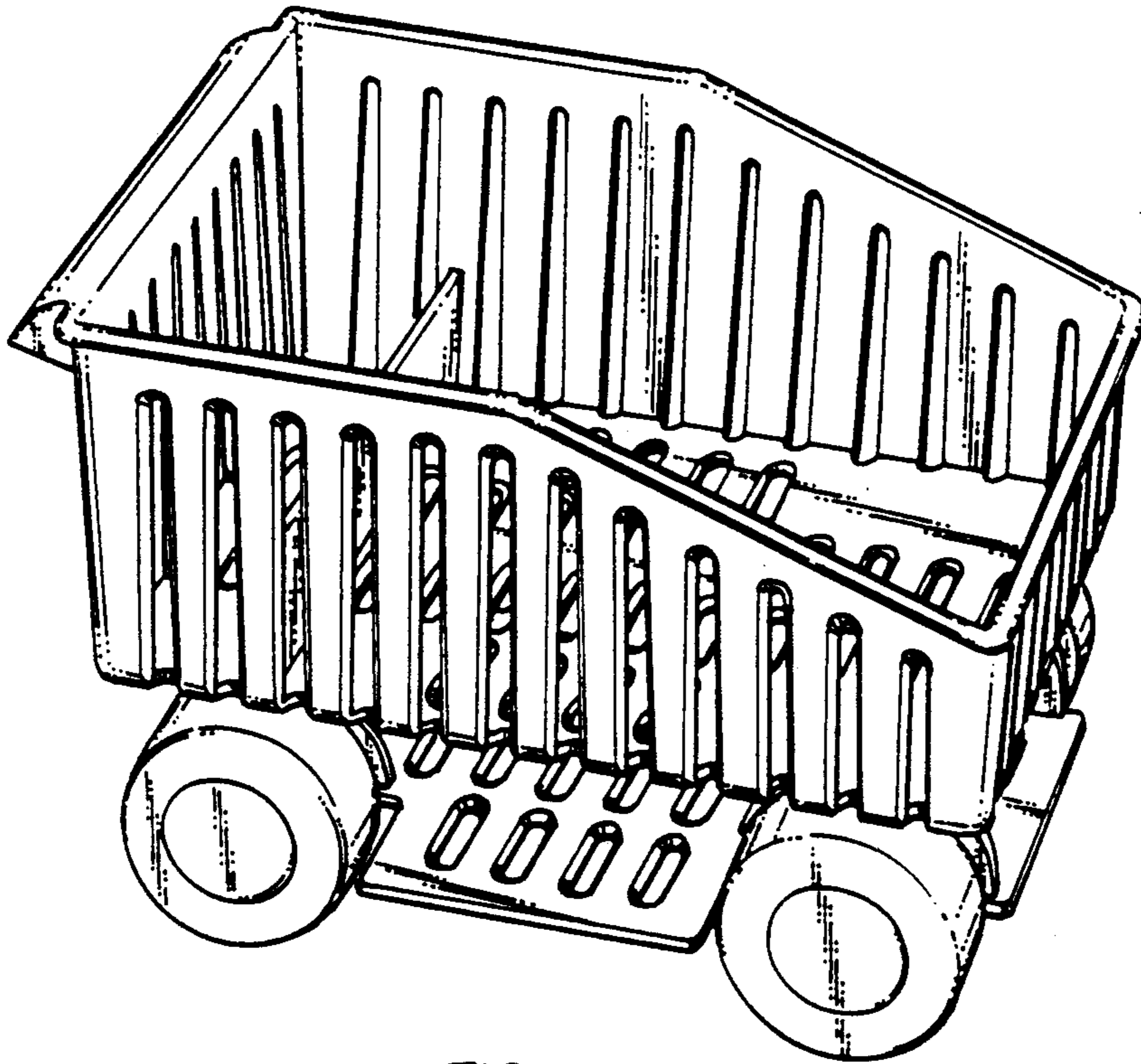


FIG. 1.

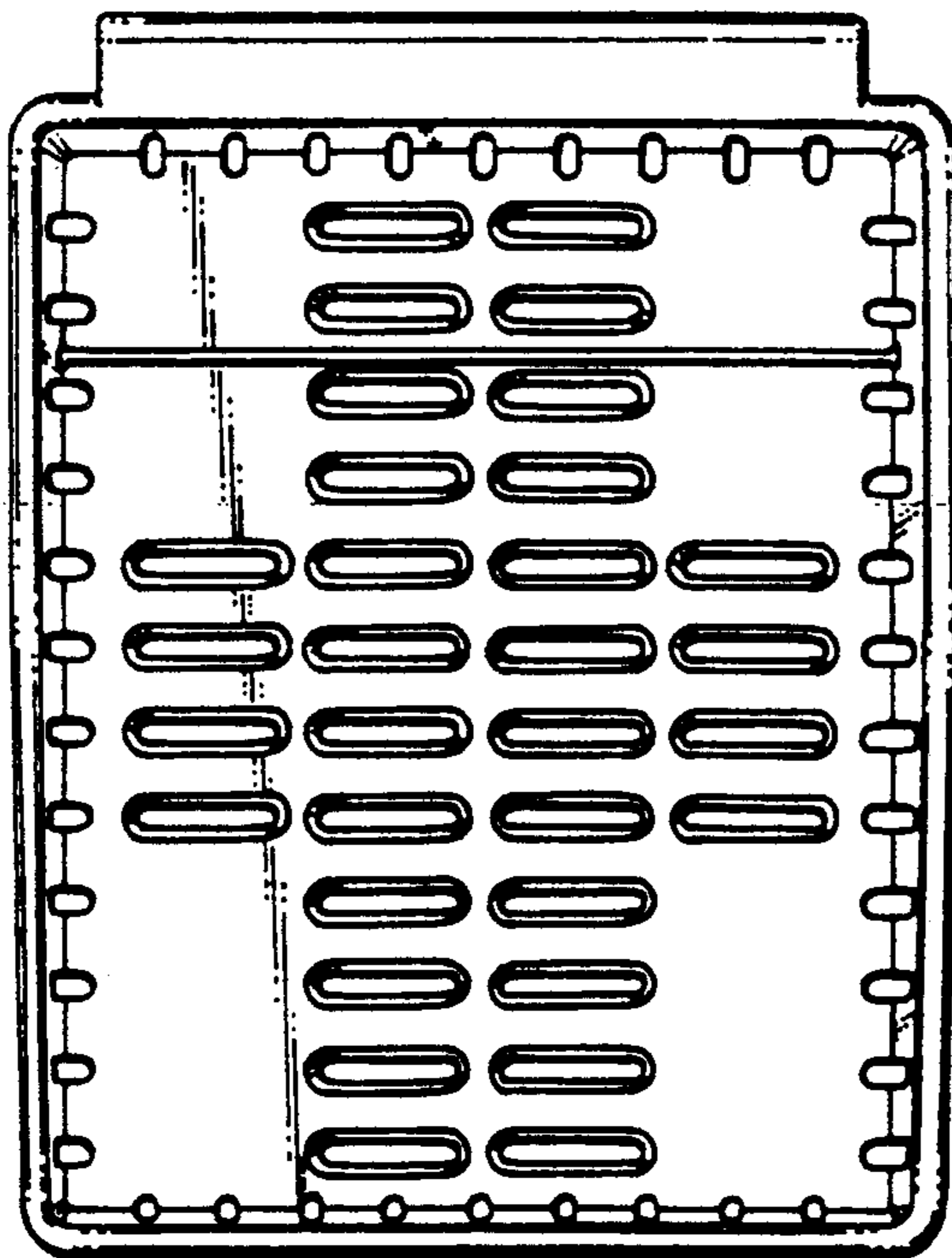


FIG. 2.

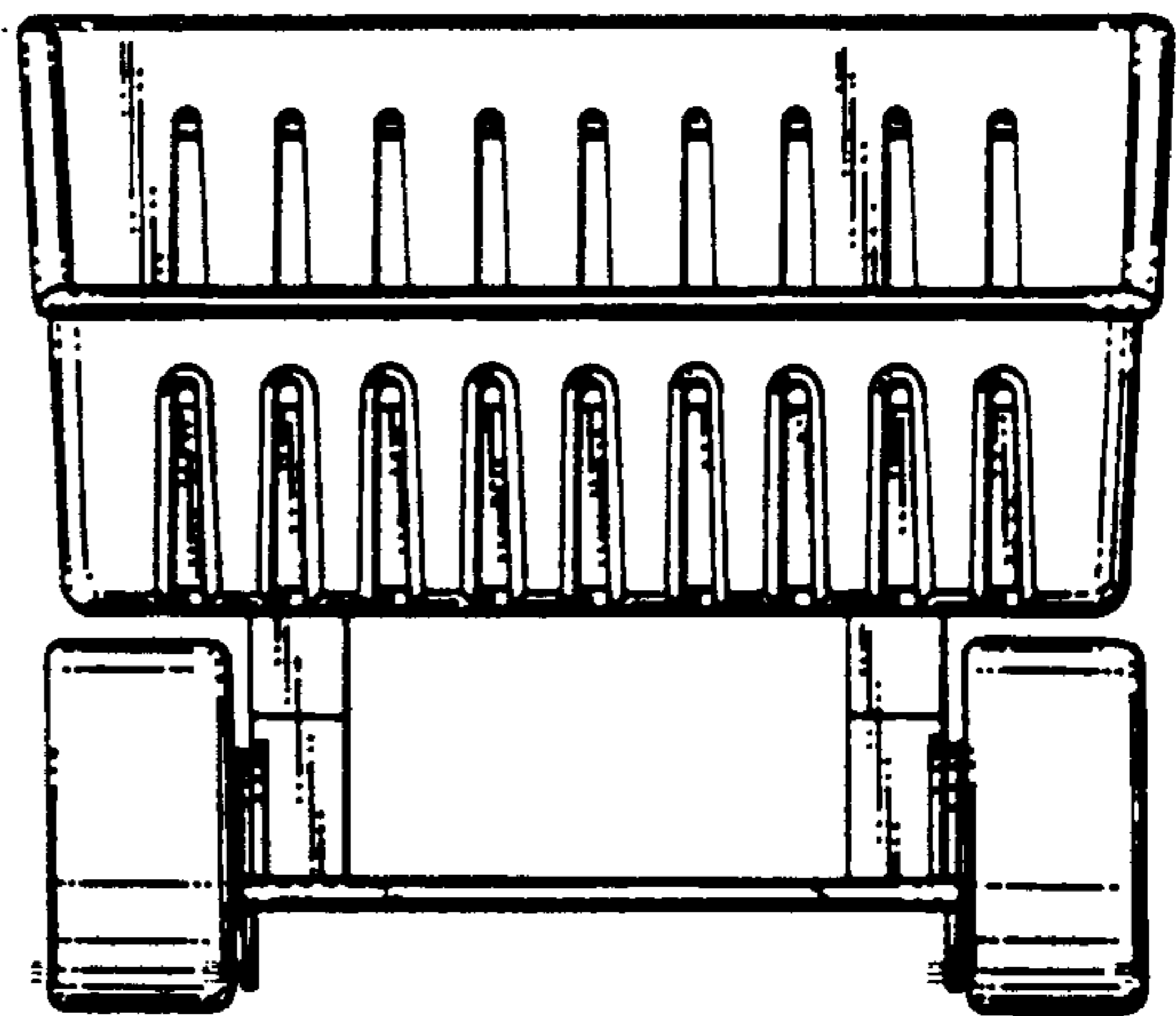


FIG. 3.

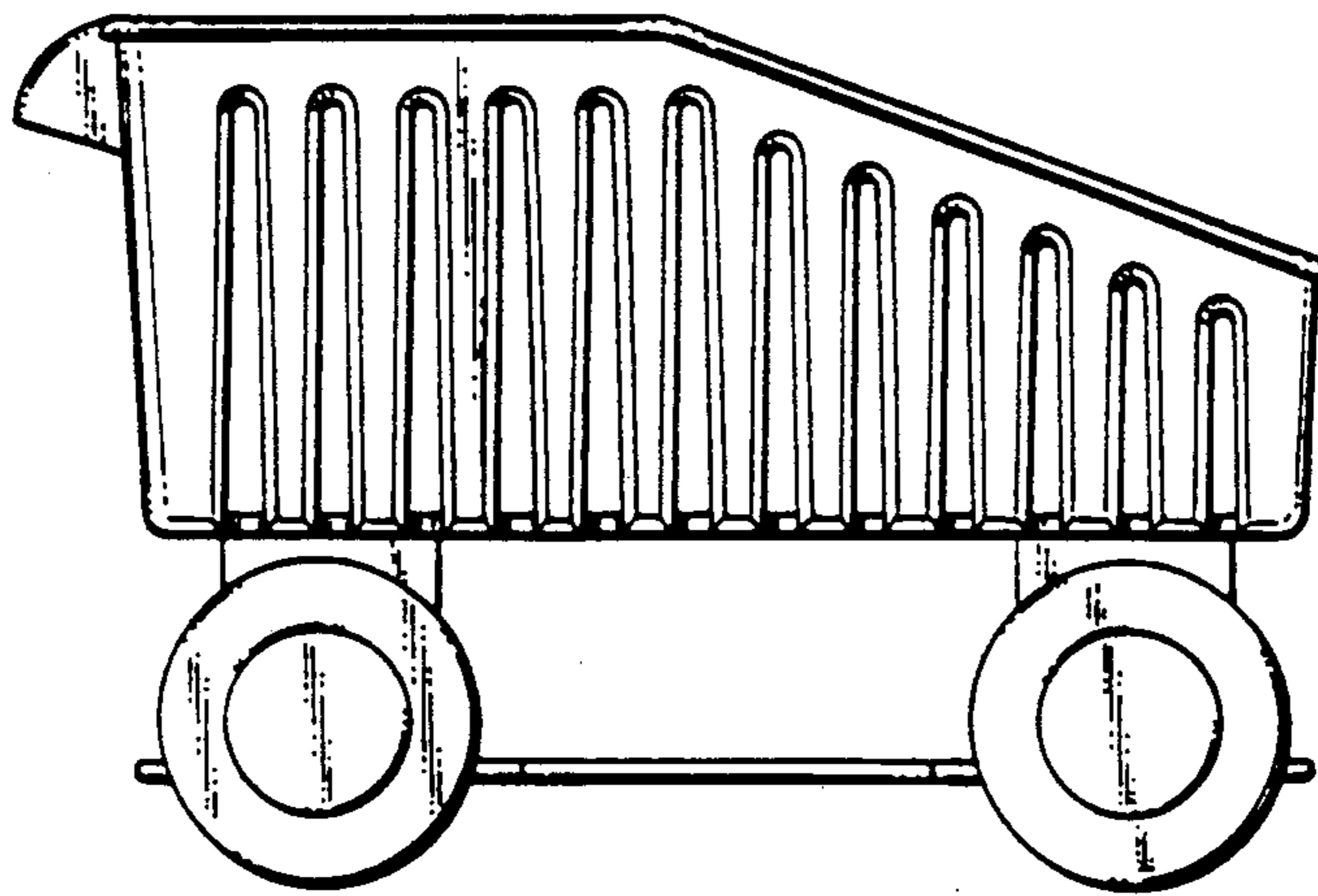


FIG. 4.

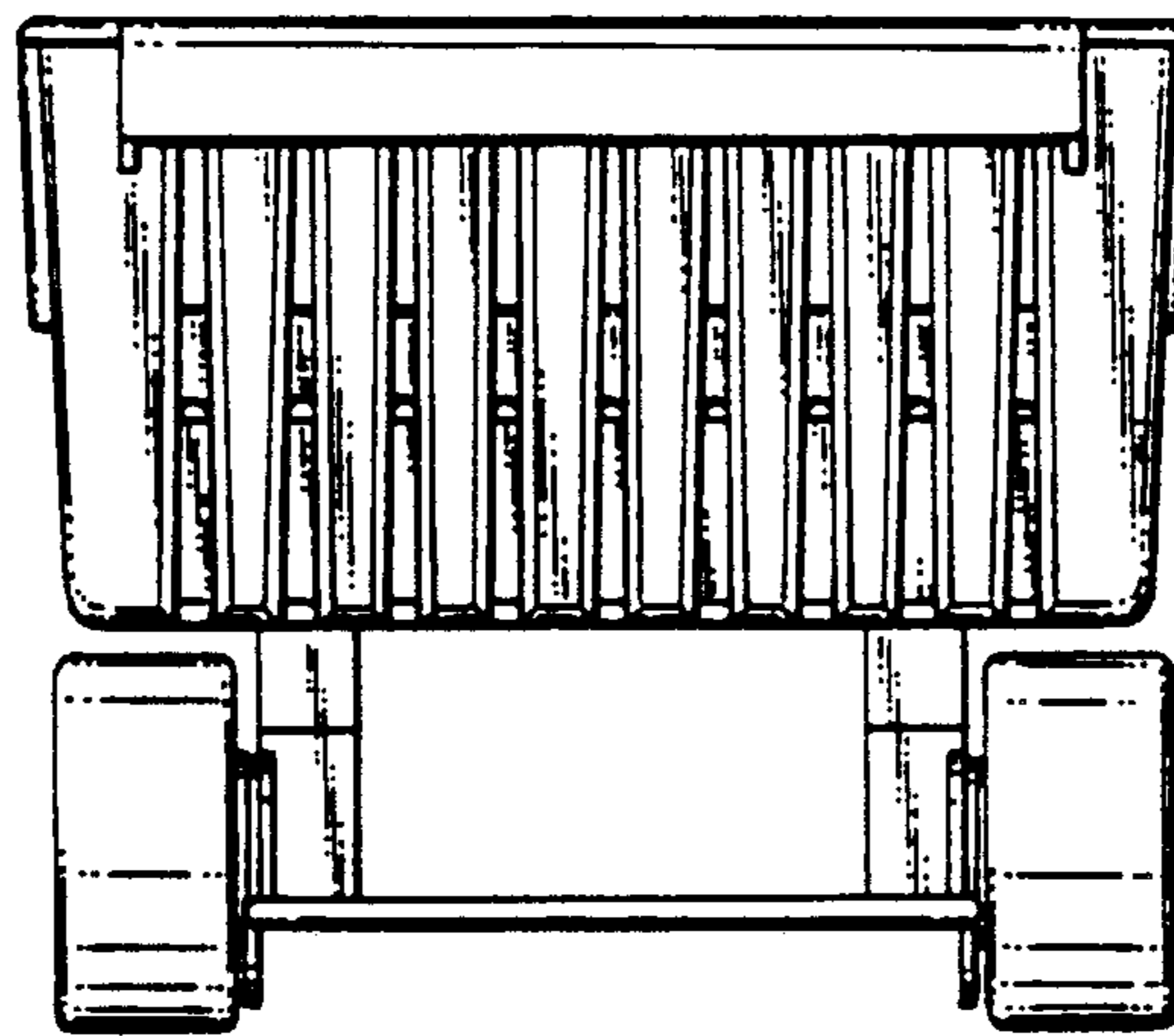


FIG. 5.

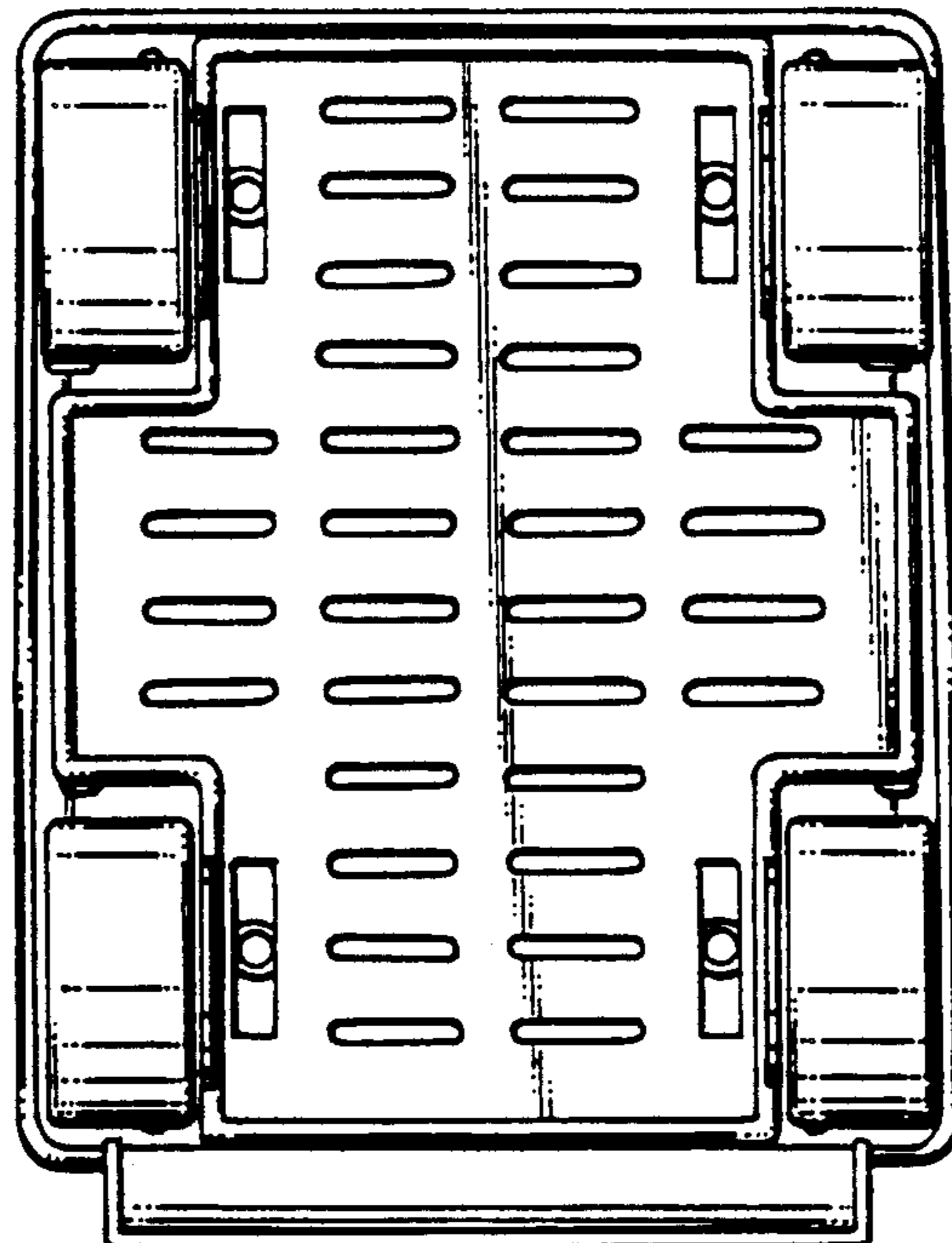


FIG. 6.