

[54] VACUUM CLEANER TOY

D. 280,768 9/1985 Ferraris et al. D32/23
D. 296,945 7/1988 Erickson D32/23

[75] Inventors: John A. Pape; David M. Raffo, both of Hitchin; Harry S. Thomson, Richmond, all of England

OTHER PUBLICATIONS

Electrical Merchandising, 1-1959, p. 171 "Westinghouse" SC. 4 Cleaner.
Sears Wish Book '85, p. 512, Item #9, Toy Vacuum Cleaner.

[73] Assignee: Hestair Kiddicraft Limited, Bristol, England

Primary Examiner—Charles A. Rademaker

[**] Term: 14 Years

[57] CLAIM

[21] Appl. No.: 202,441

The ornamental design for a vacuum cleaner toy, as shown and described.

[22] Filed: Jun. 3, 1988

[30] Foreign Application Priority Data

DESCRIPTION

Jan. 14, 1988 [GB] United Kingdom 1047712

[52] U.S. Cl. D21/122

[58] Field of Search D21/59, 60, 121, 122, D21/109; D32/23, 21; 446/474, 479, 483

FIG. 1 is a perspective view of a vacuum cleaner toy showing our new design;
FIG. 2 is a front elevational view thereof;
FIG. 3 is a rear elevational view thereof;
FIG. 4 is a side elevational view thereof;
FIG. 5 is another side elevational view thereof;
FIG. 6 is a top plan view thereof;
FIG. 7 is a bottom plan view thereof.

[56] References Cited

U.S. PATENT DOCUMENTS

D. 266,612 10/1982 Hug D32/23

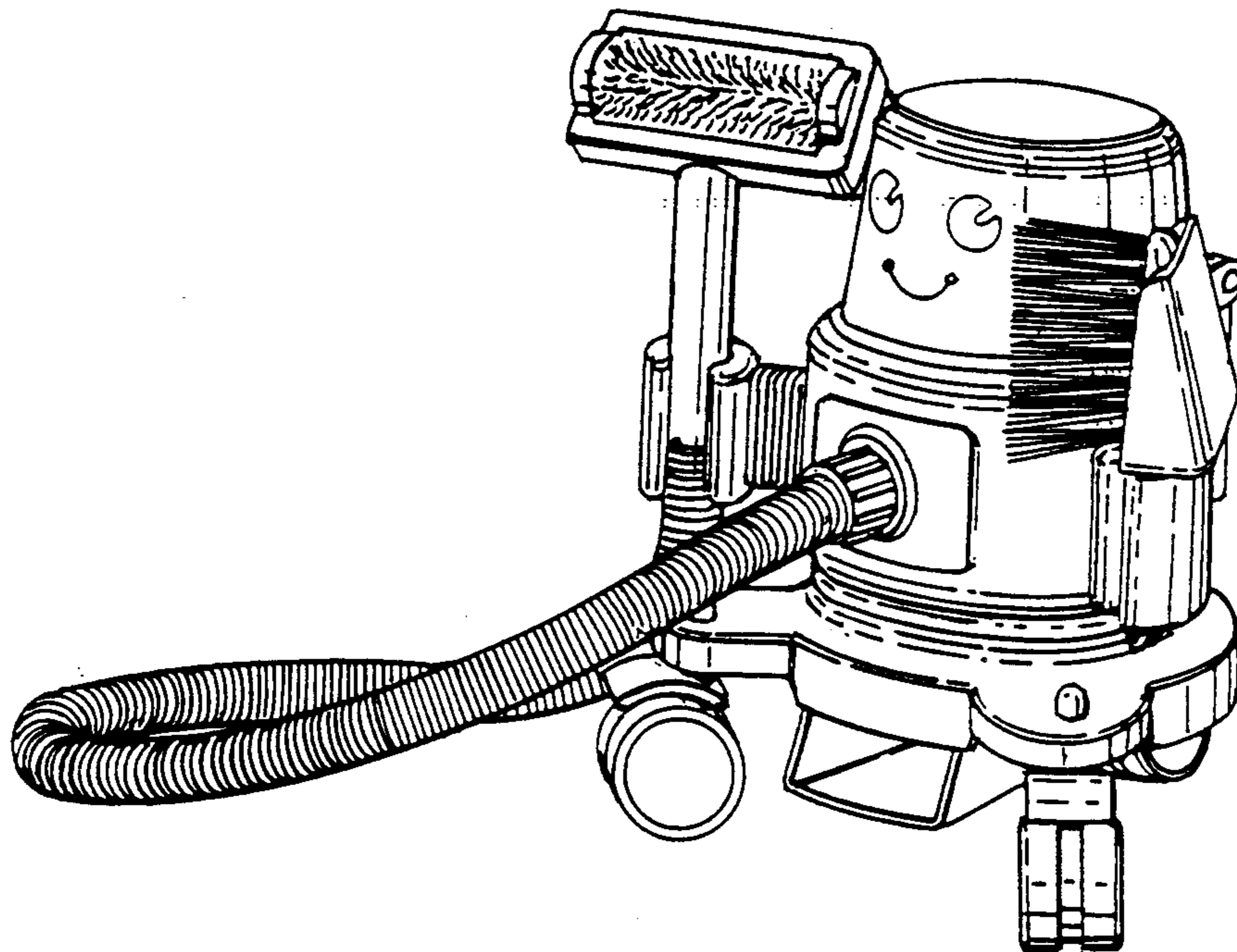


FIG. 1.

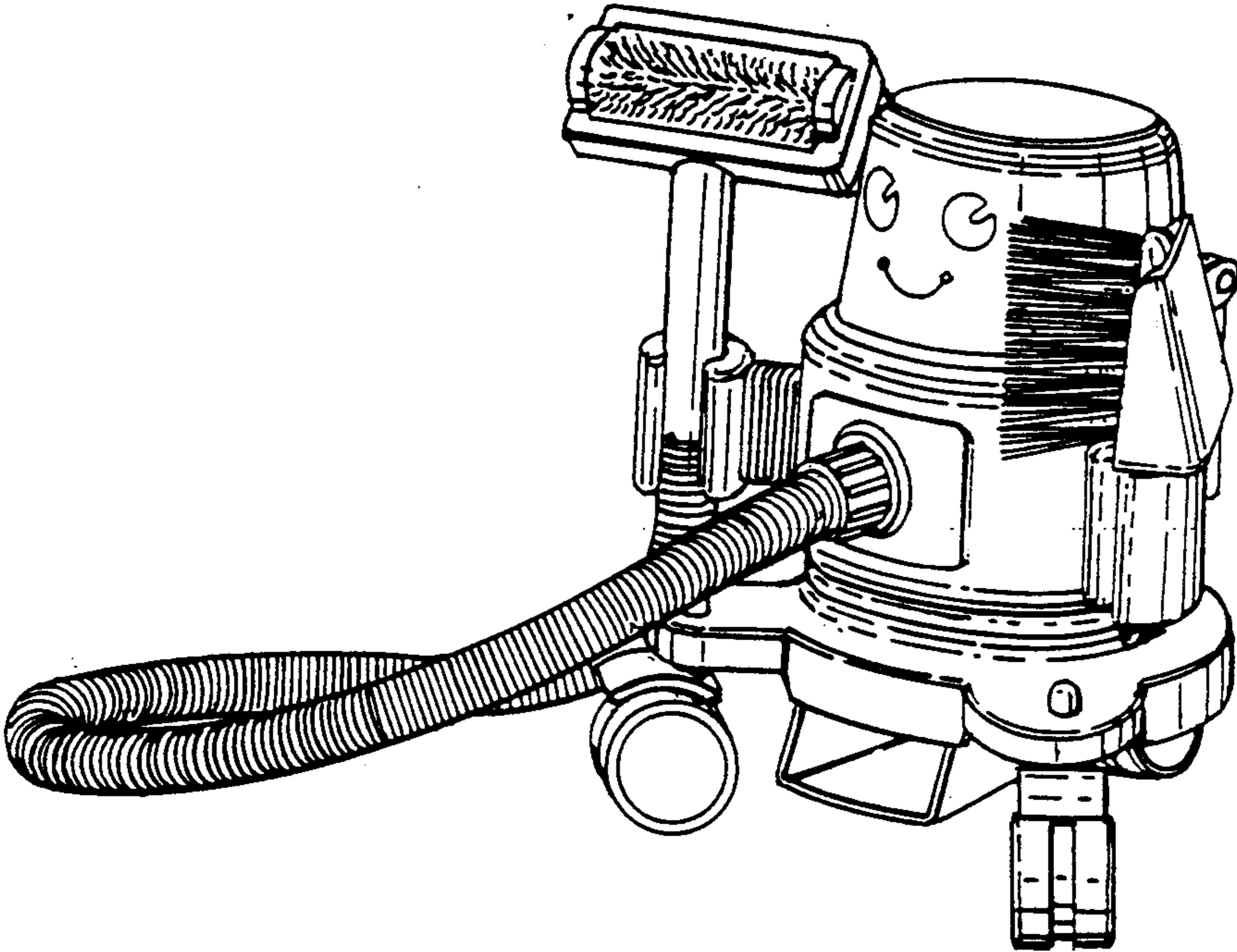


FIG. 2.

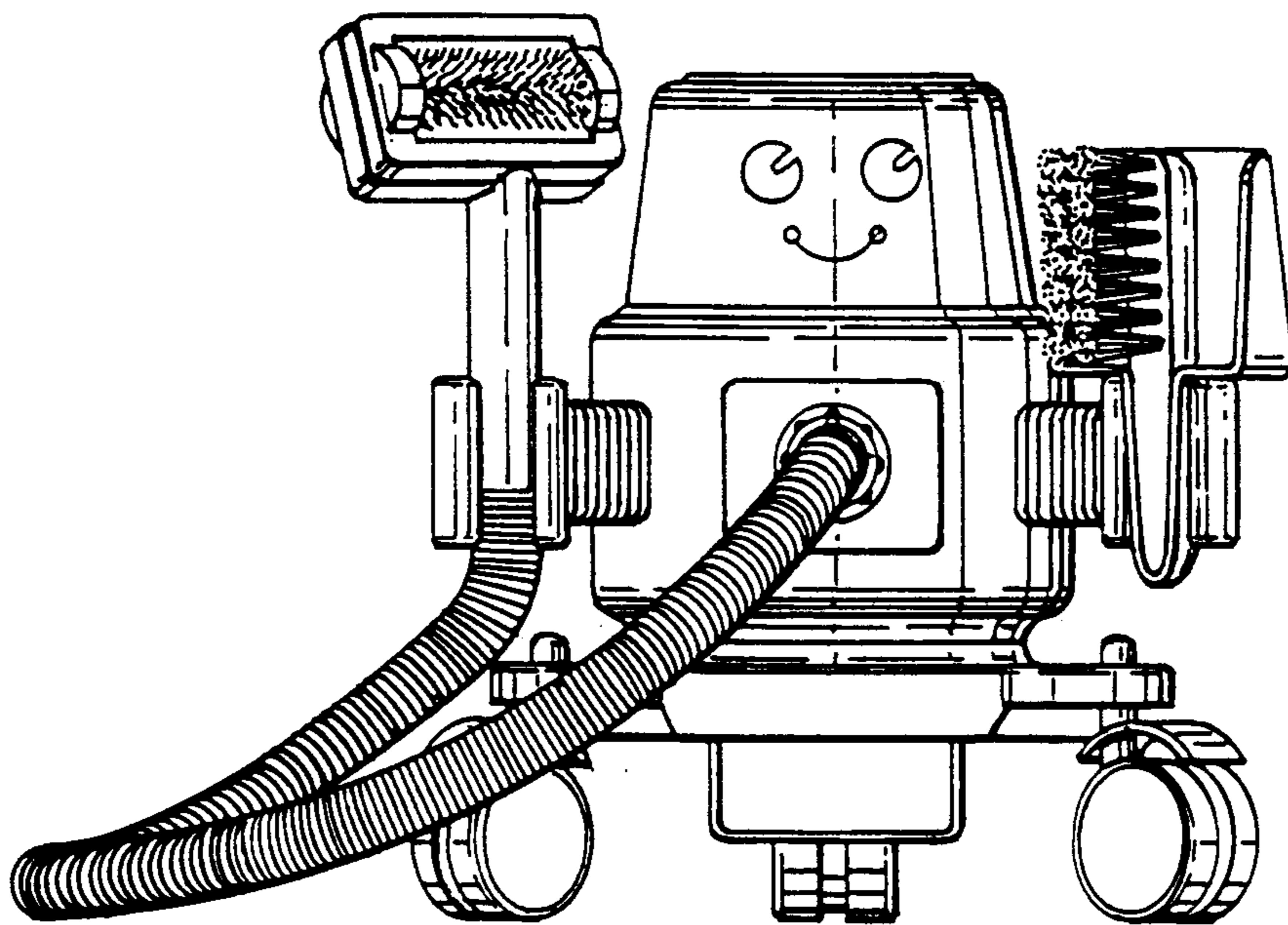


FIG. 3.

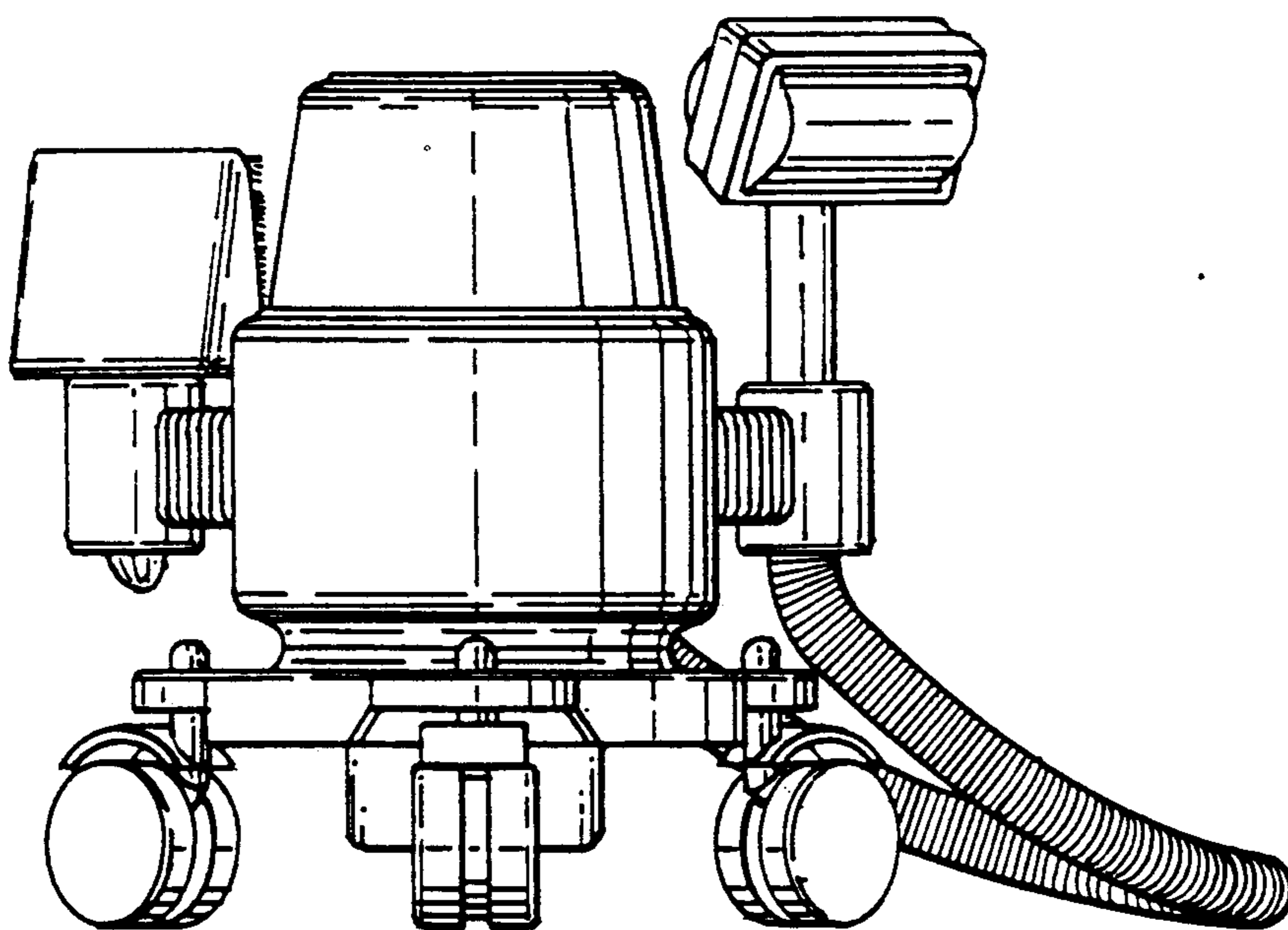


FIG. 4.

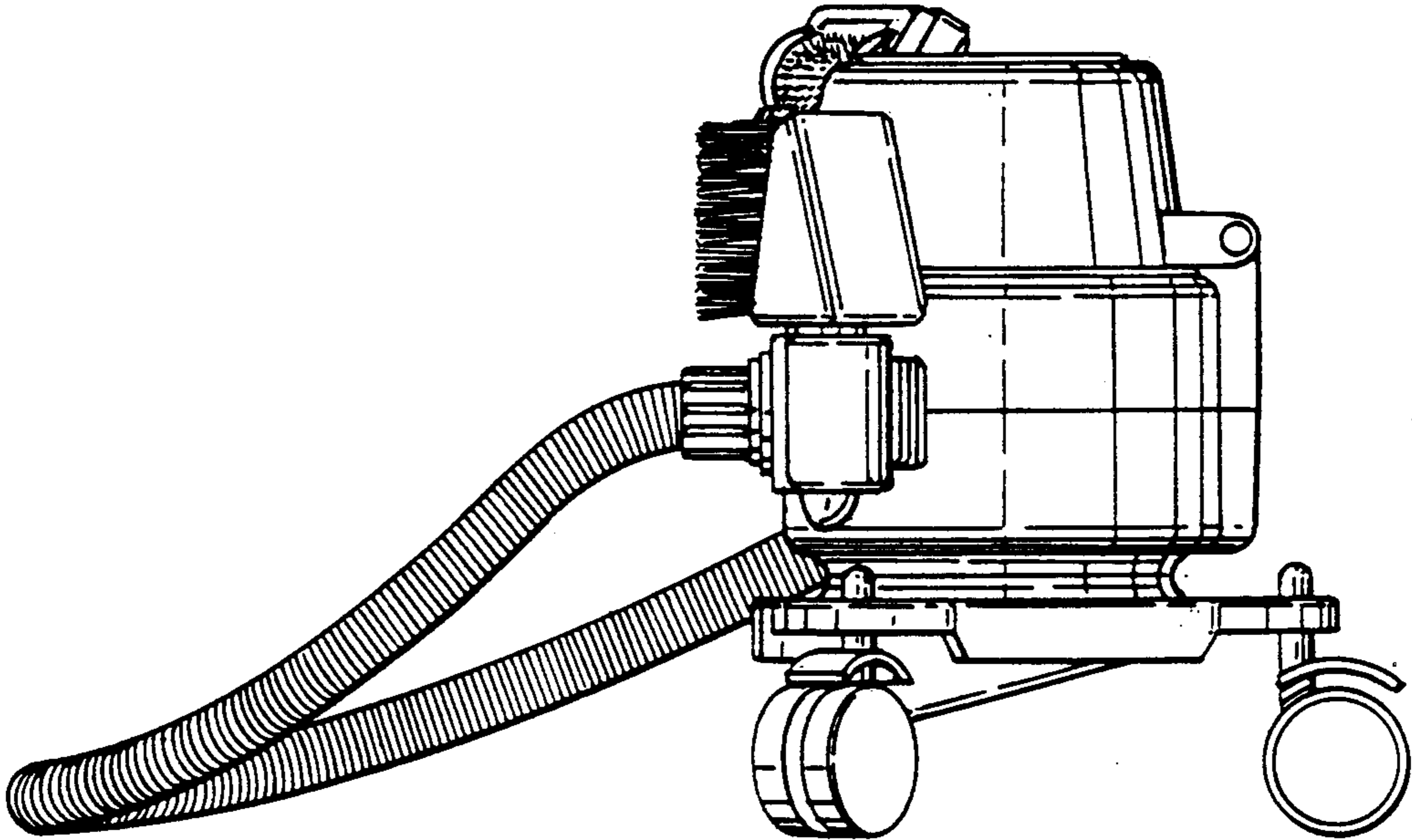


FIG. 5.

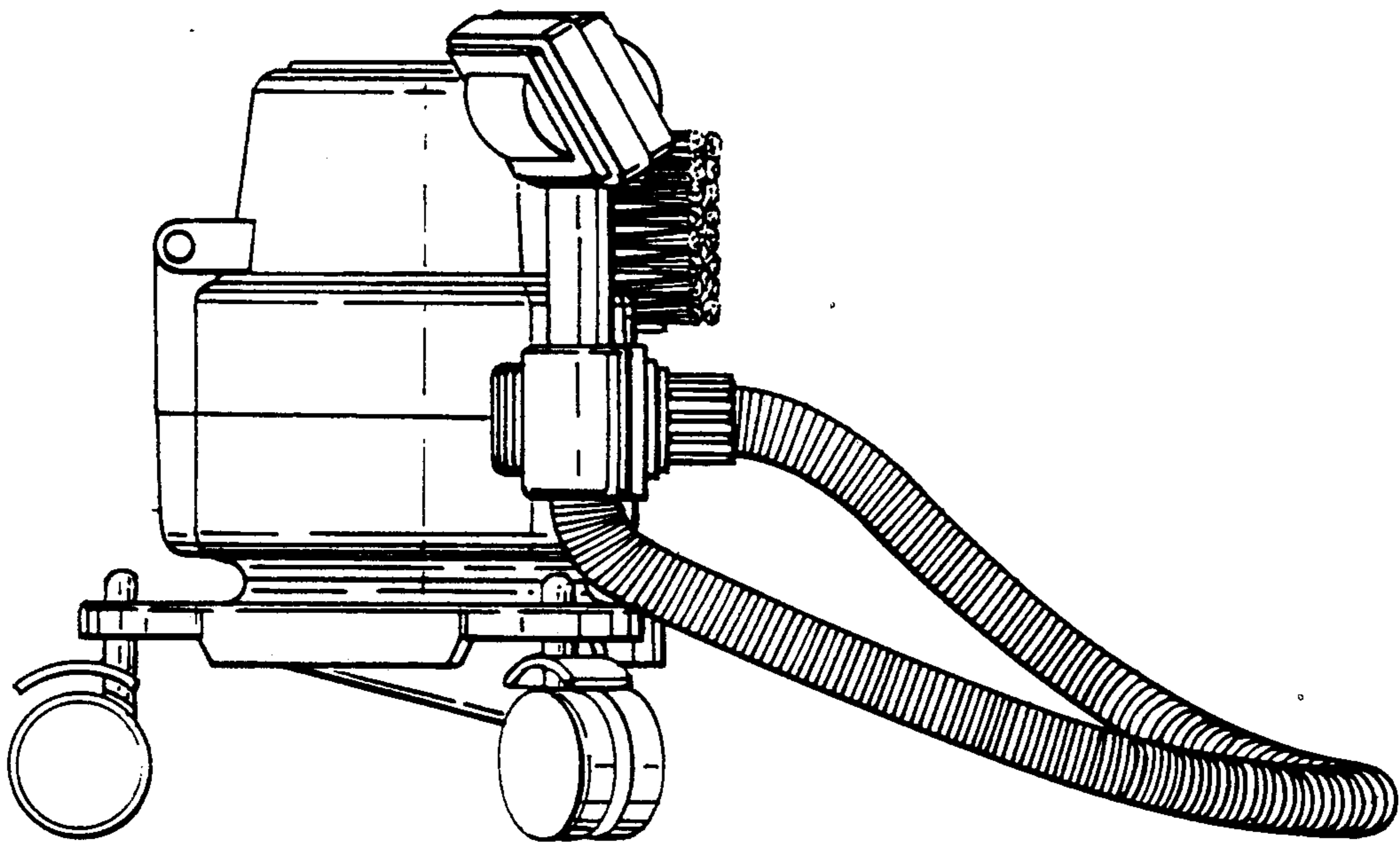


FIG. 6.

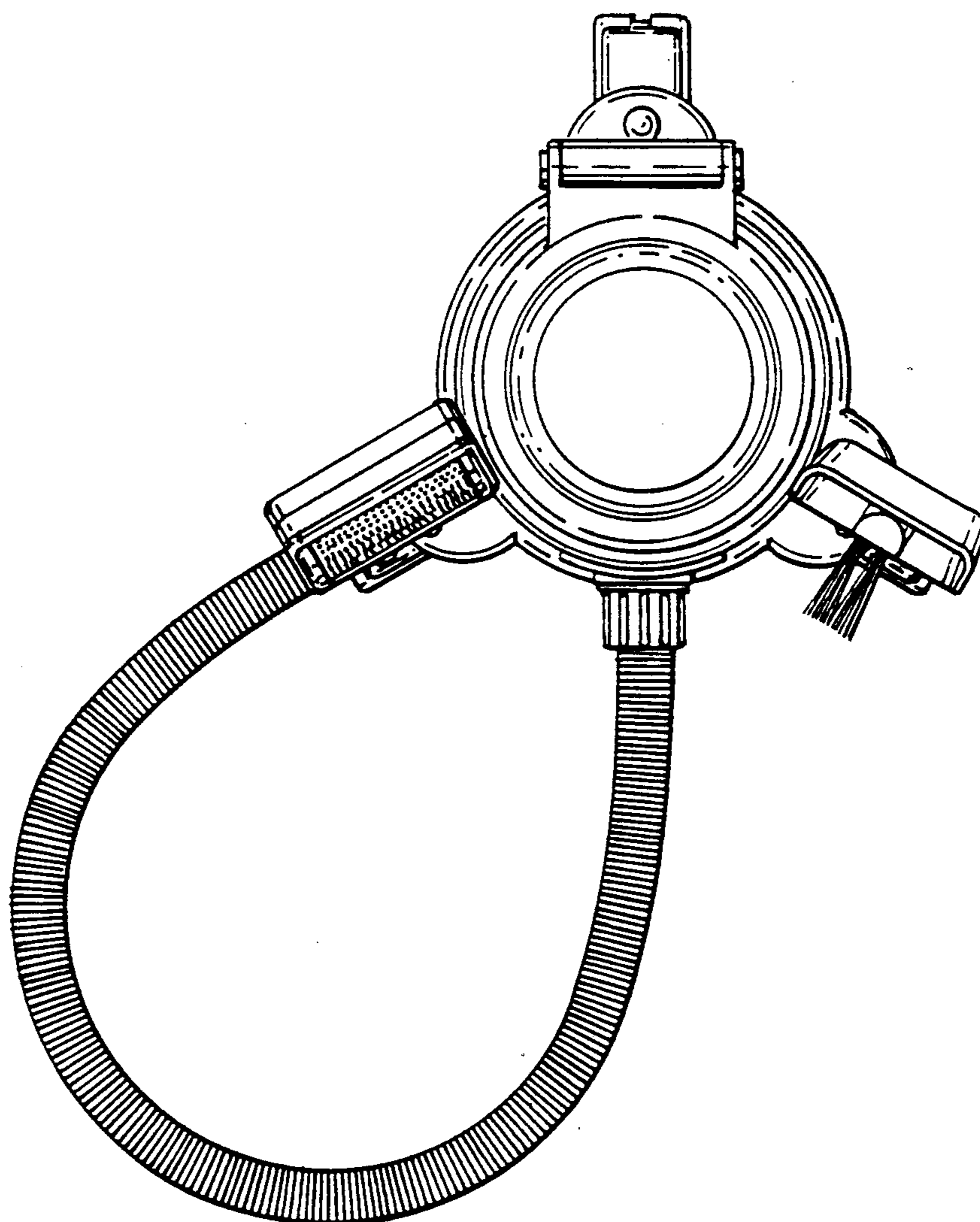


FIG. 7.

