

United States Patent [19]

Raffo et al.

[11] Patent Number: Des. 315,755

[45] Date of Patent: ** Mar. 26, 1991

[54] WATERING CAN TOY

[75] Inventors: David M. Raffo, Hitchin; Harry S. Thomson, Richmond; John A. Pape, Hitchin, all of England

[73] Assignee: Hestair Kiddicraft Limited, Bristol, United Kingdom

[**] Term: 14 Years

[21] Appl. No.: 202,917

[22] Filed: Jun. 3, 1988

[30] Foreign Application Priority Data

Jan. 14, 1988 [GB] United Kingdom 1047710

[52] U.S. Cl. D21/120

[58] Field of Search D21/59, 109, 120;
D23/212, 211; 239/376, 377, 378

[56] References Cited

U.S. PATENT DOCUMENTS

D. 16,822 7/1886 Wilkinson D23/212
D. 272,457 1/1984 Clanton D23/212
D. 279,310 1/1985 Murphy D23/212
3,648,933 3/1972 Grotz 239/377

Primary Examiner—Charles A. Rademaker

[57] CLAIM

The ornamental design for a watering can toy, as shown and described.

DESCRIPTION

FIG. 1 is a top perspective view of a watering can toy showing our new design;

FIG. 2 is a front elevational view thereof;

FIG. 3 is a rear elevational view thereof;

FIG. 4 is a side elevational view thereof;

FIG. 5 is another side elevational view thereof;

FIG. 6 is a top plan view thereof;

FIG. 7 is a bottom plan view thereof.

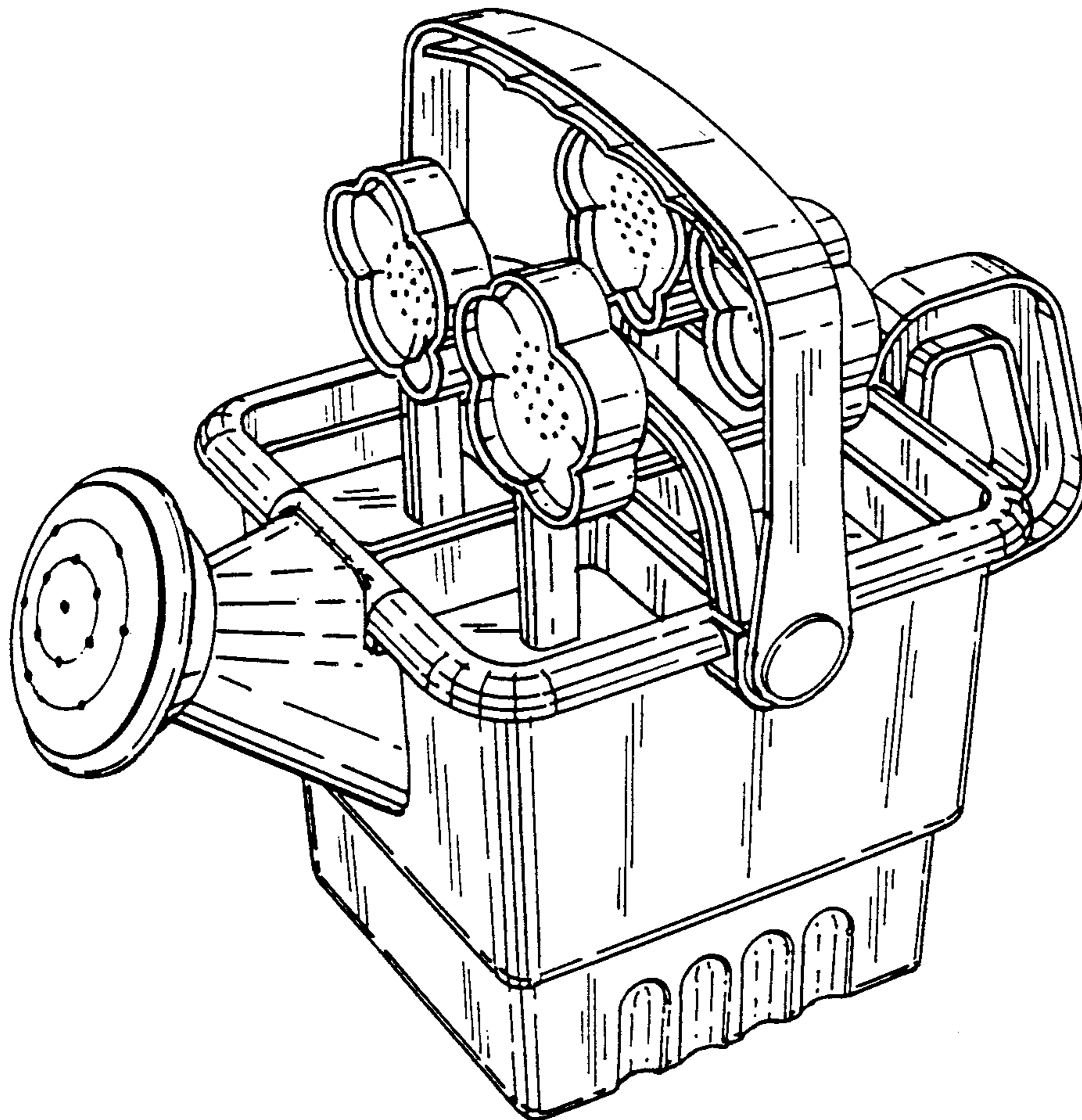


FIG. 1.

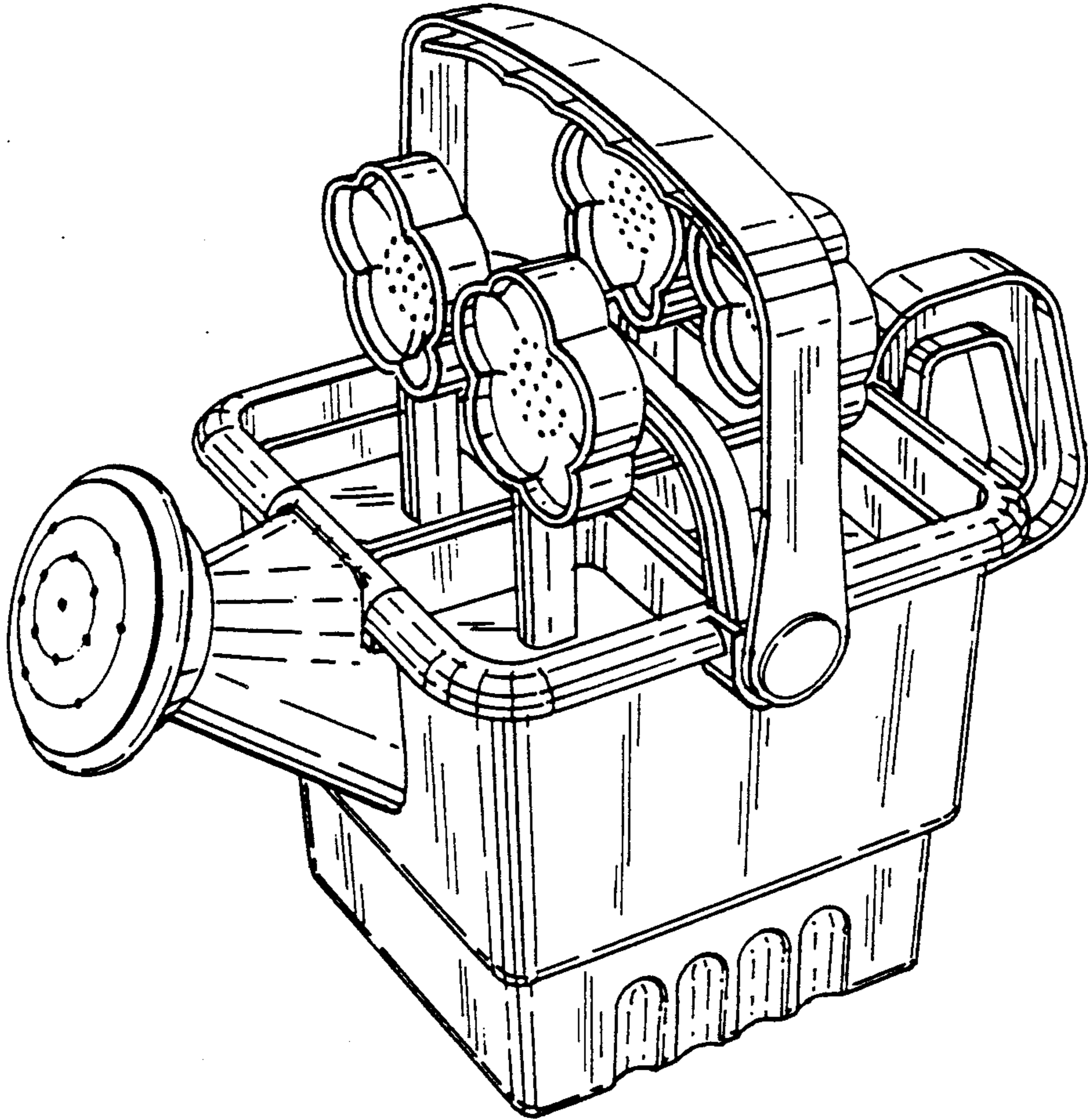


FIG. 2.

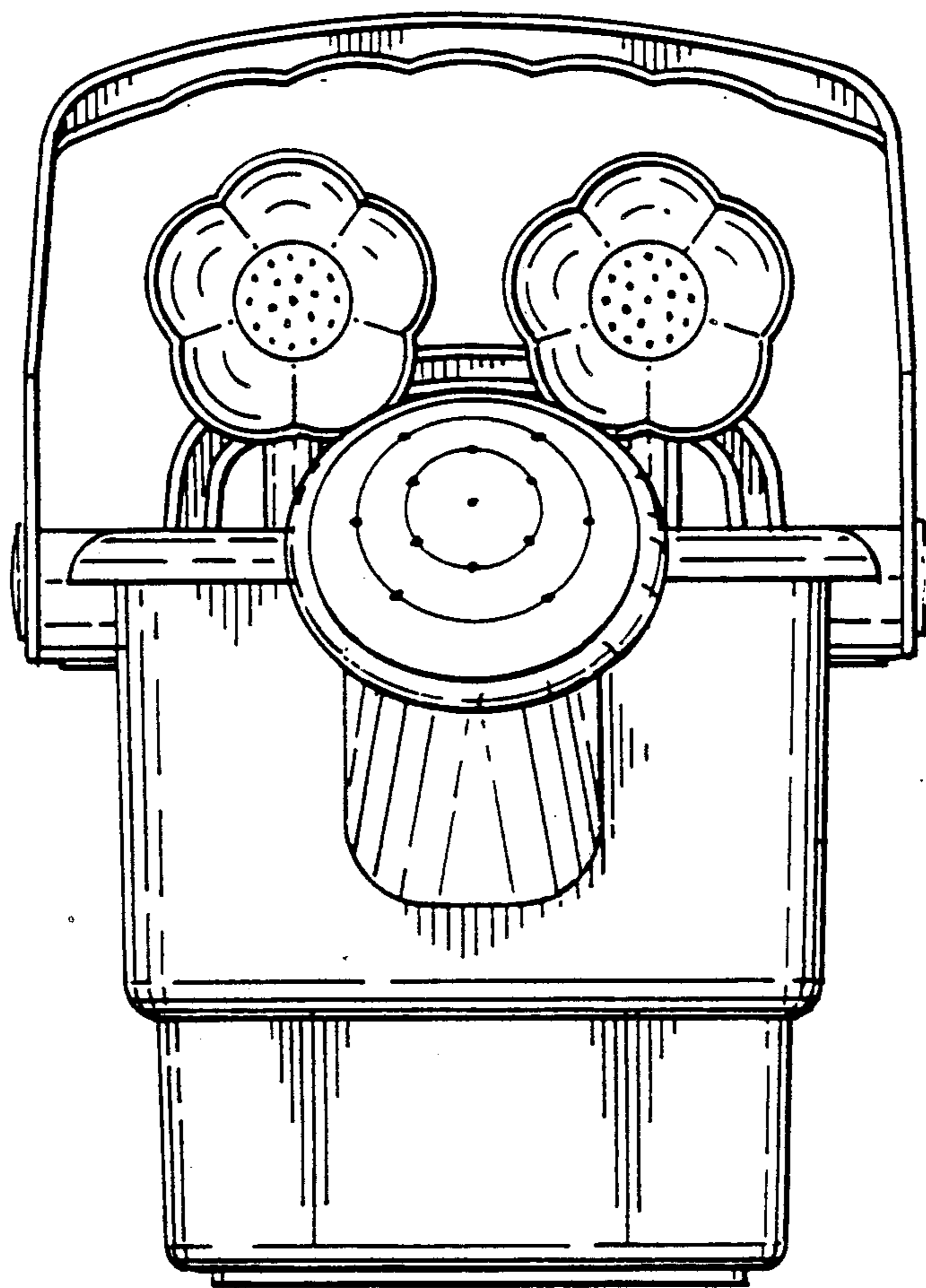


FIG. 3.

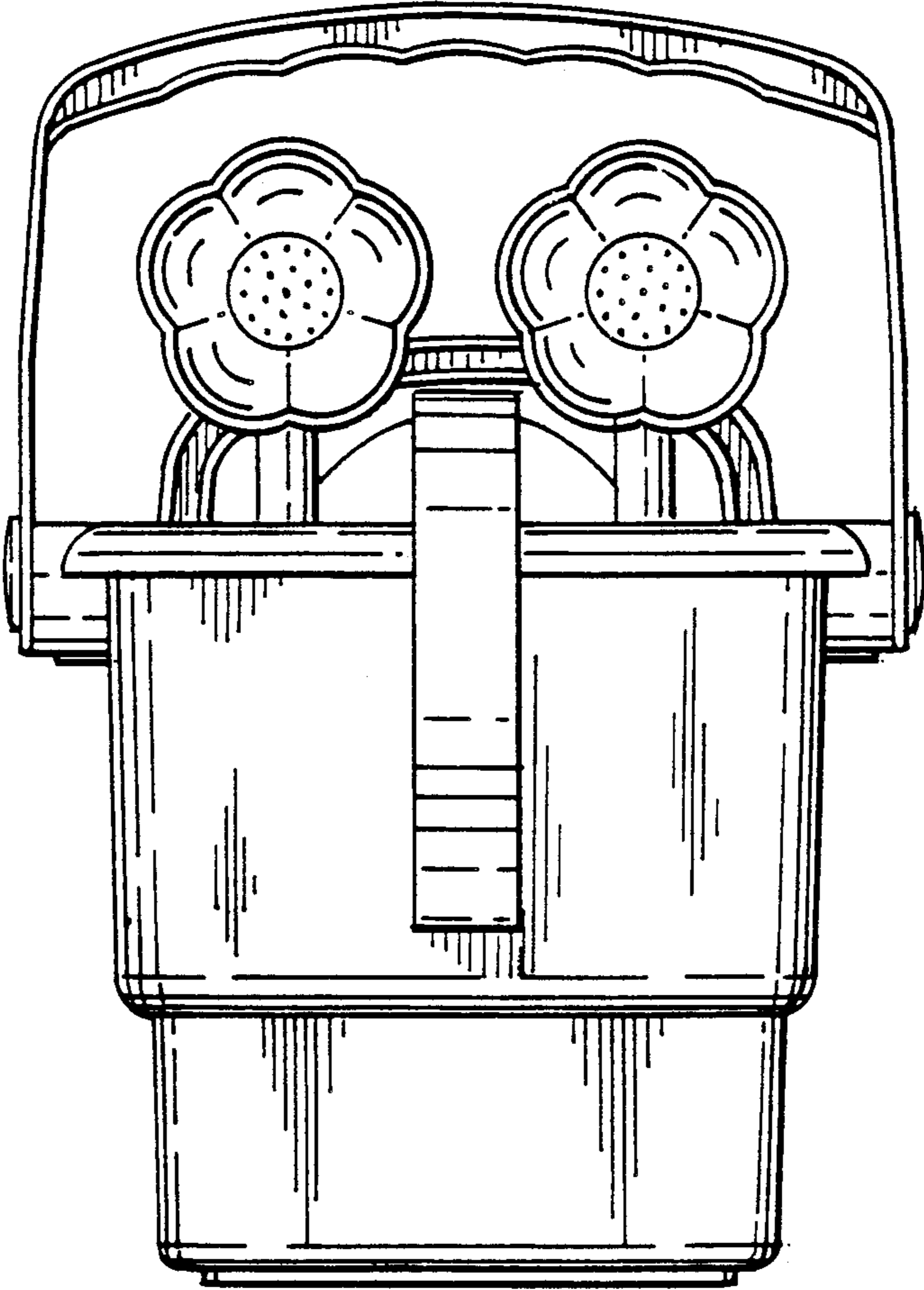


FIG.4.

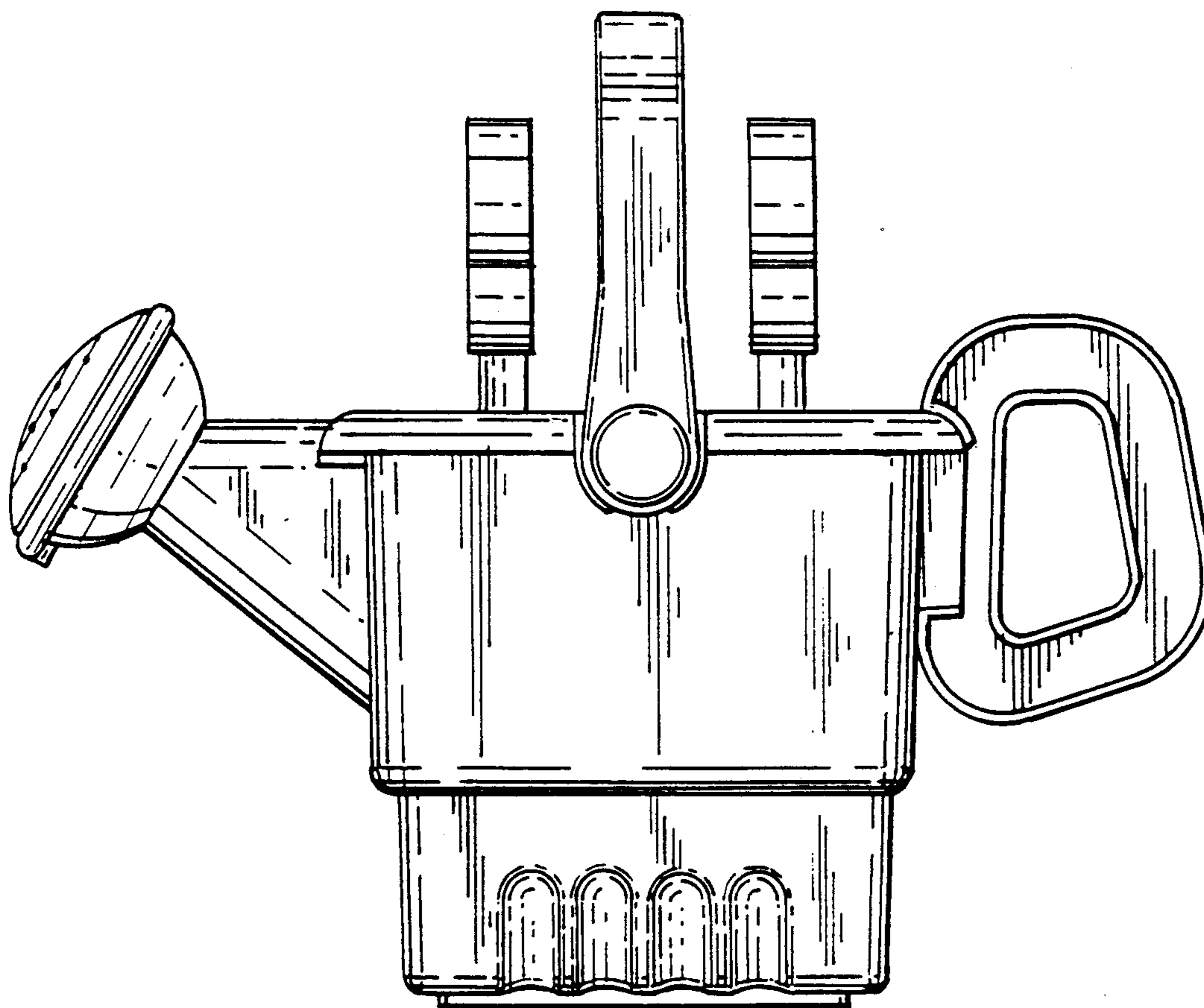


FIG. 5.

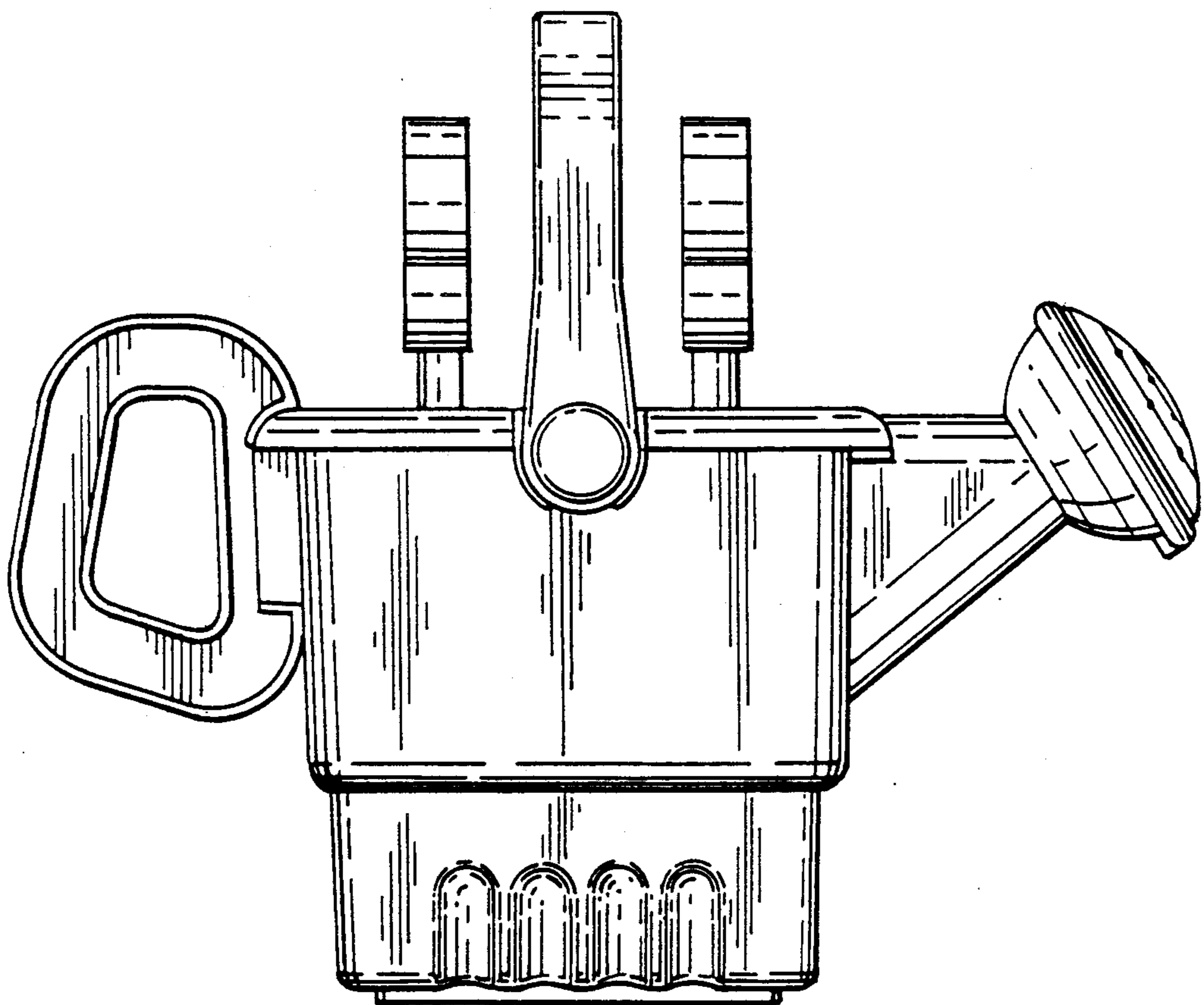


FIG. 6.

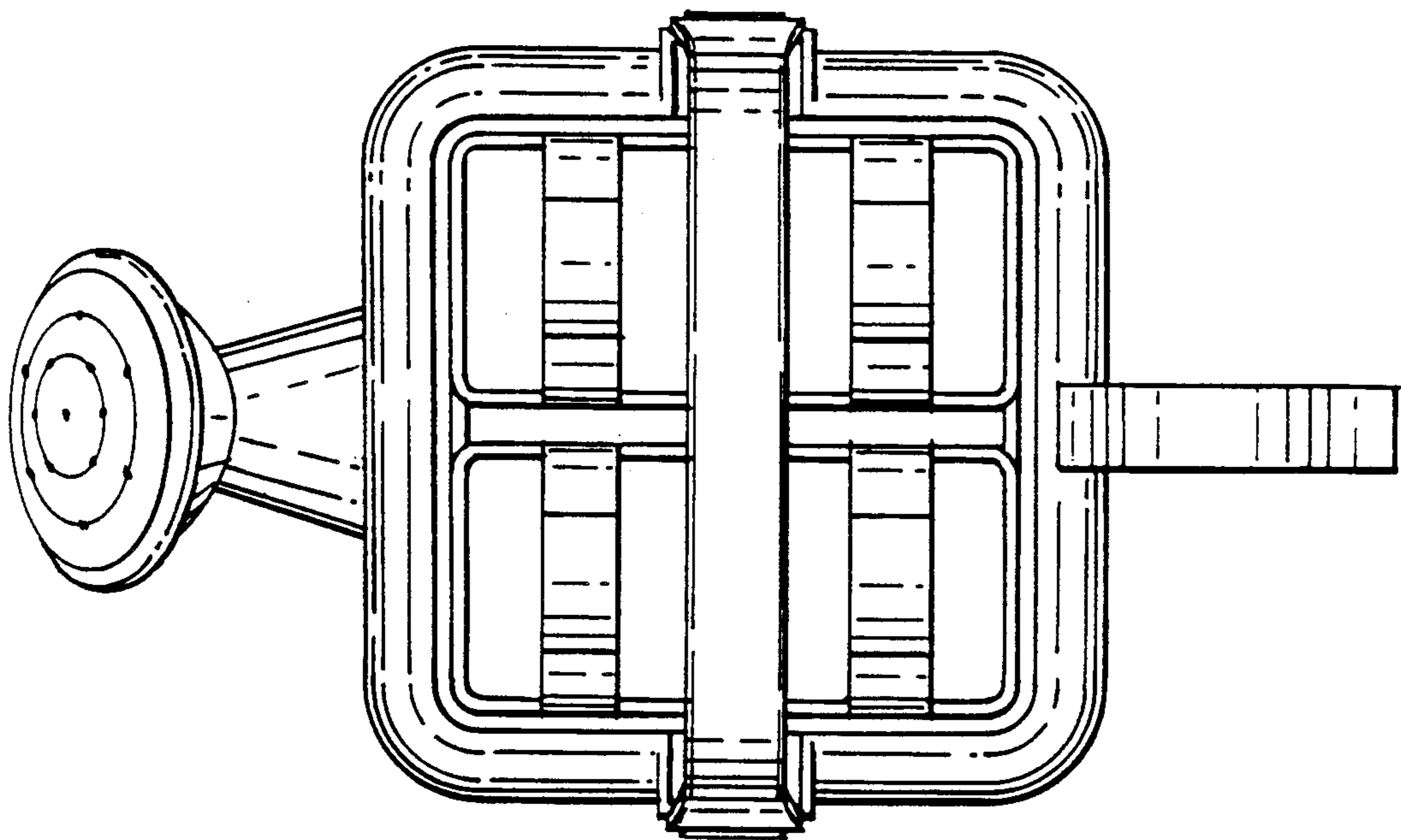


FIG. 7.

