

[54] TOY BUILDING ELEMENT

[75] Inventors: Bo Eggert, Kolding; Erling T. Dideriksen, Billund, both of Denmark

[73] Assignee: Interlego AG, Baar, Switzerland

[\*\*] Term: 14 Years

[21] Appl. No.: 443,267

[22] Filed: Nov. 29, 1989

[52] U.S. Cl. .... D21/108

[58] Field of Search ..... D21/59, 108, 109, 124, D21/141; 446/85, 102, 103, 105, 118, 121, 124, 126, 128

[56] References Cited

U.S. PATENT DOCUMENTS

- D. 285,101 8/1986 Nakata ..... D21/108
- D. 295,541 5/1988 Knudsen ..... D21/108
- D. 295,645 5/1988 Knudsen ..... D21/108
- D. 295,647 5/1988 Knudsen ..... D21/108

- D. 295,648 5/1988 Knudsen ..... D21/108
- D. 304,046 10/1989 Knudsen ..... D21/108
- D. 304,468 11/1989 Dideriksen ..... D21/108

Primary Examiner—Charles A. Rademaker

Assistant Examiner—R. Barkai

Attorney, Agent, or Firm—Kane, Dalsimer, Sullivan, Kurucz, Levy, Eisele and Richard

[57] CLAIM

The ornamental design for a toy building element, as shown and described.

DESCRIPTION

FIG. 1 is a top perspective view of the building element showing our new design;

FIG. 2 is a bottom perspective view thereof;

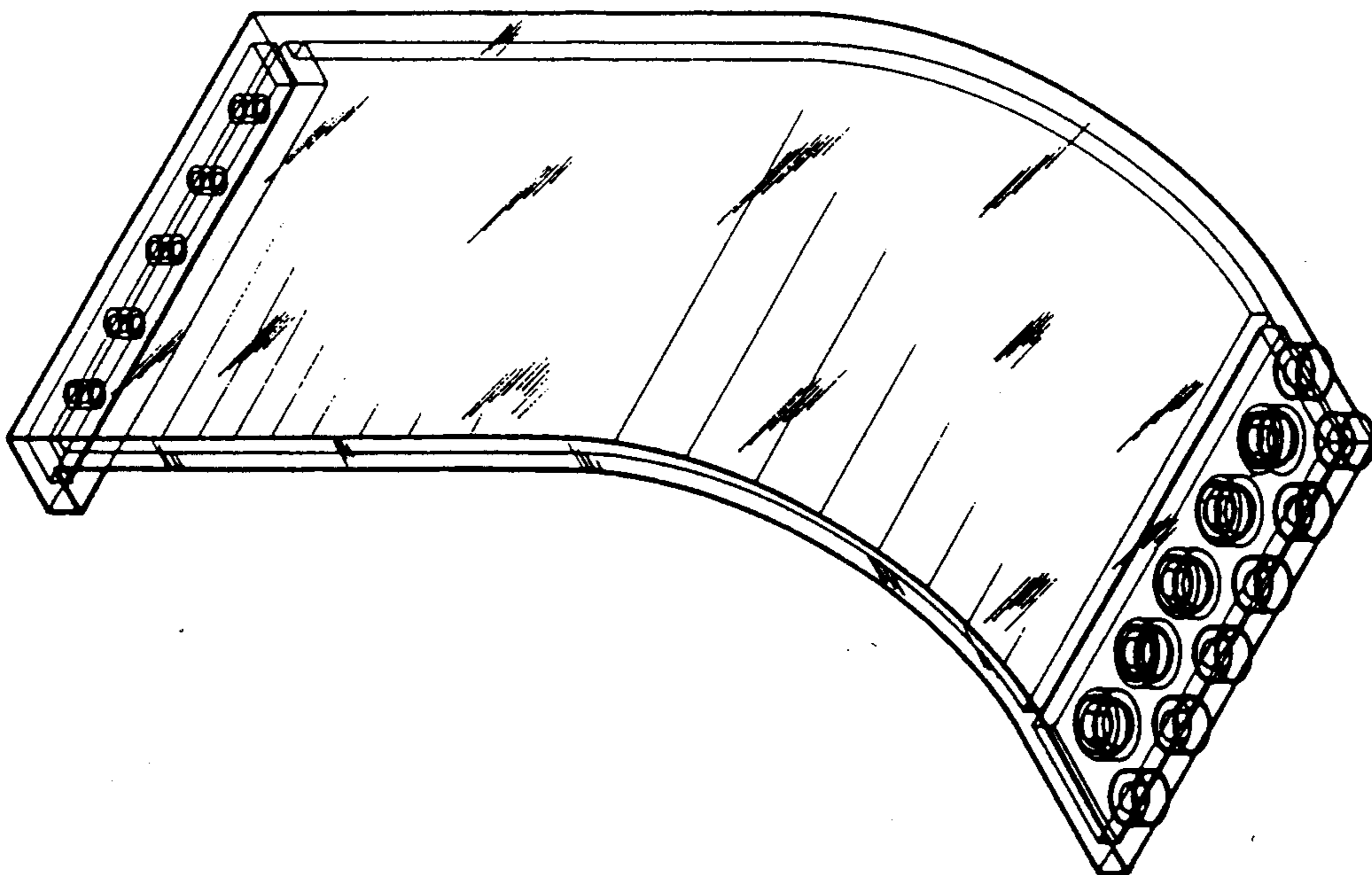
FIG. 3 is a front elevational view thereof;

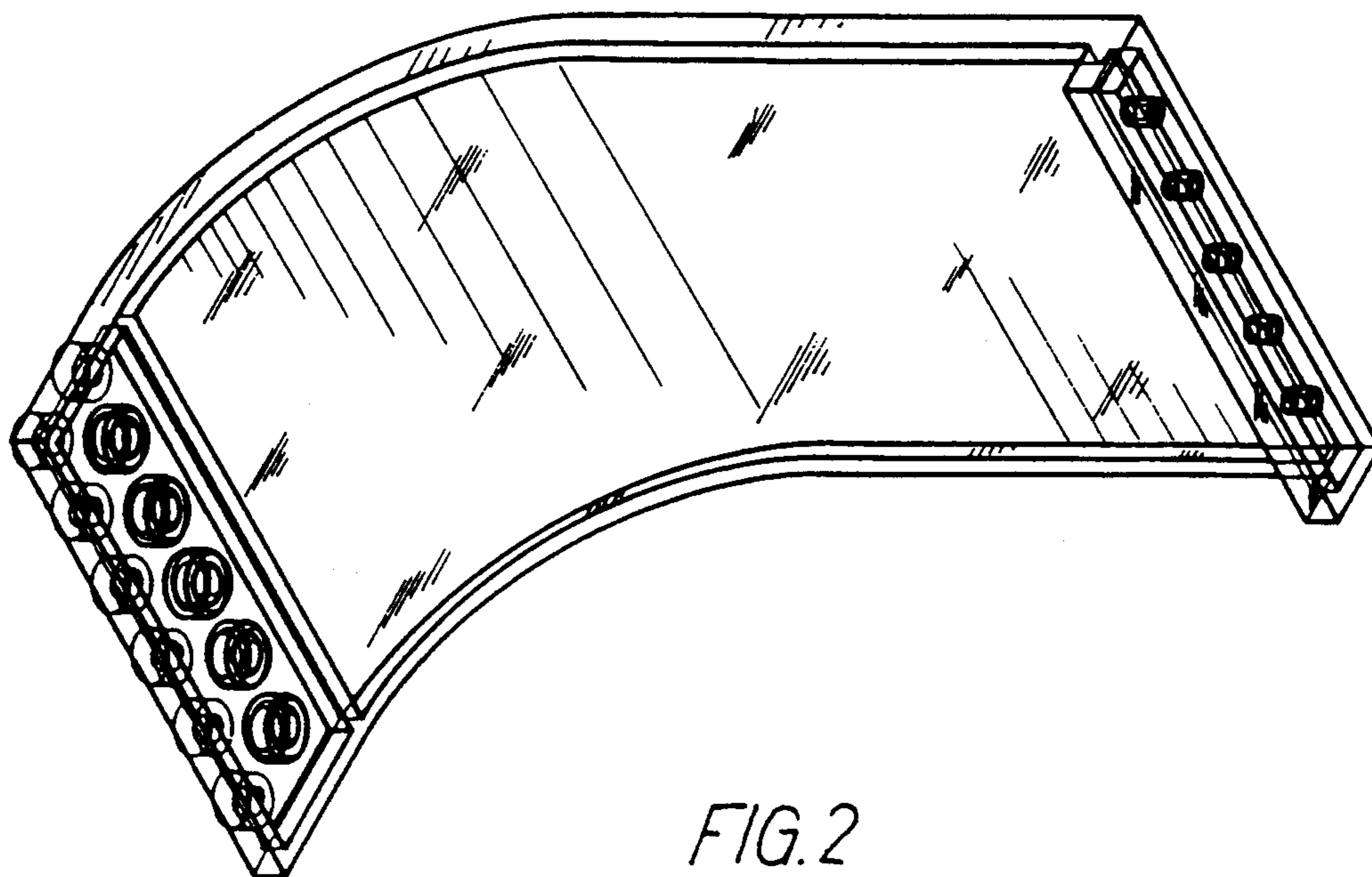
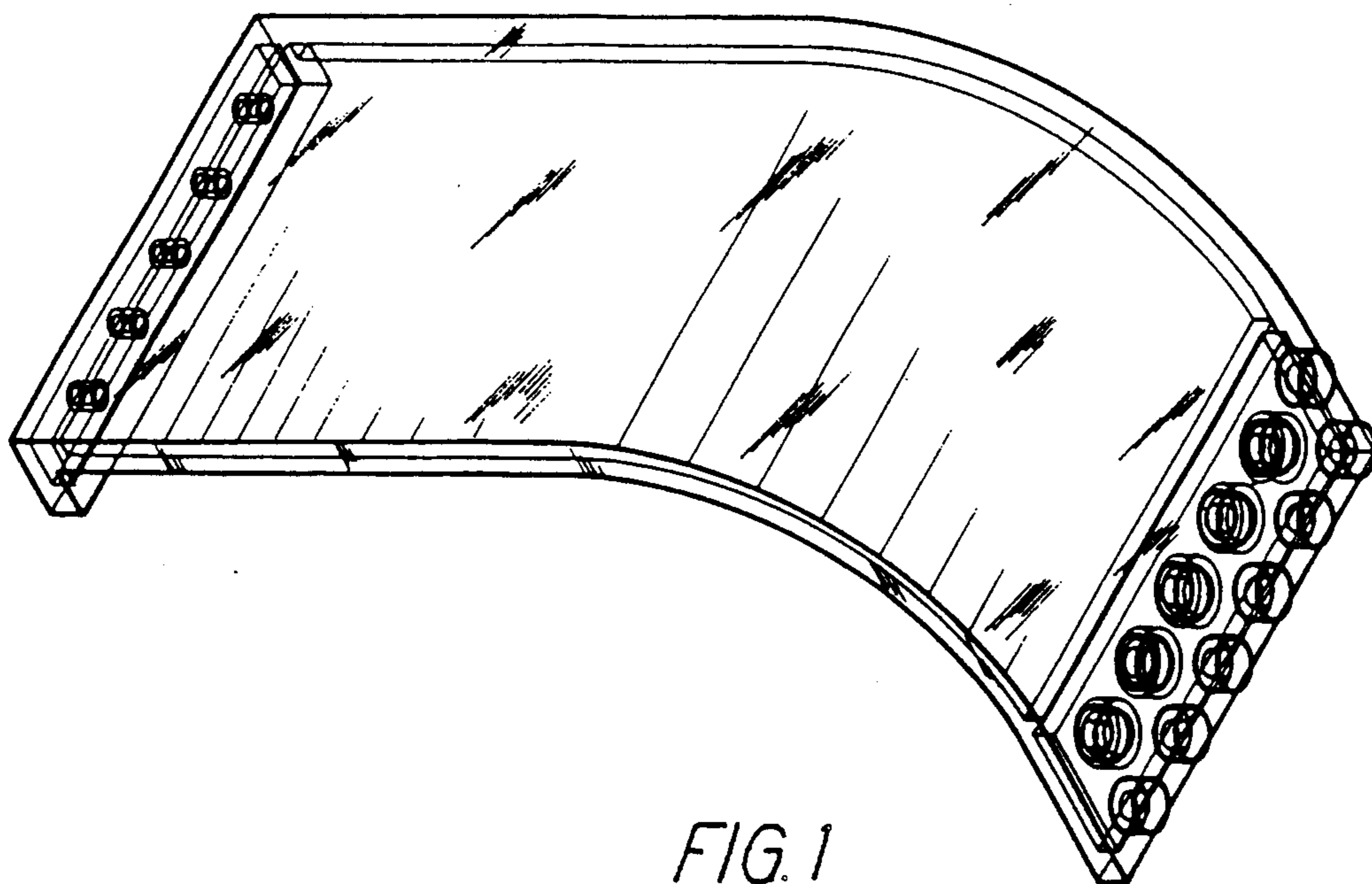
FIG. 4 is a side elevational view thereof, the side opposite being identical;

FIG. 5 is a rear elevational view thereof;

FIG. 6 is a top plan view thereof; and

FIG. 7 is a bottom plan view thereof.





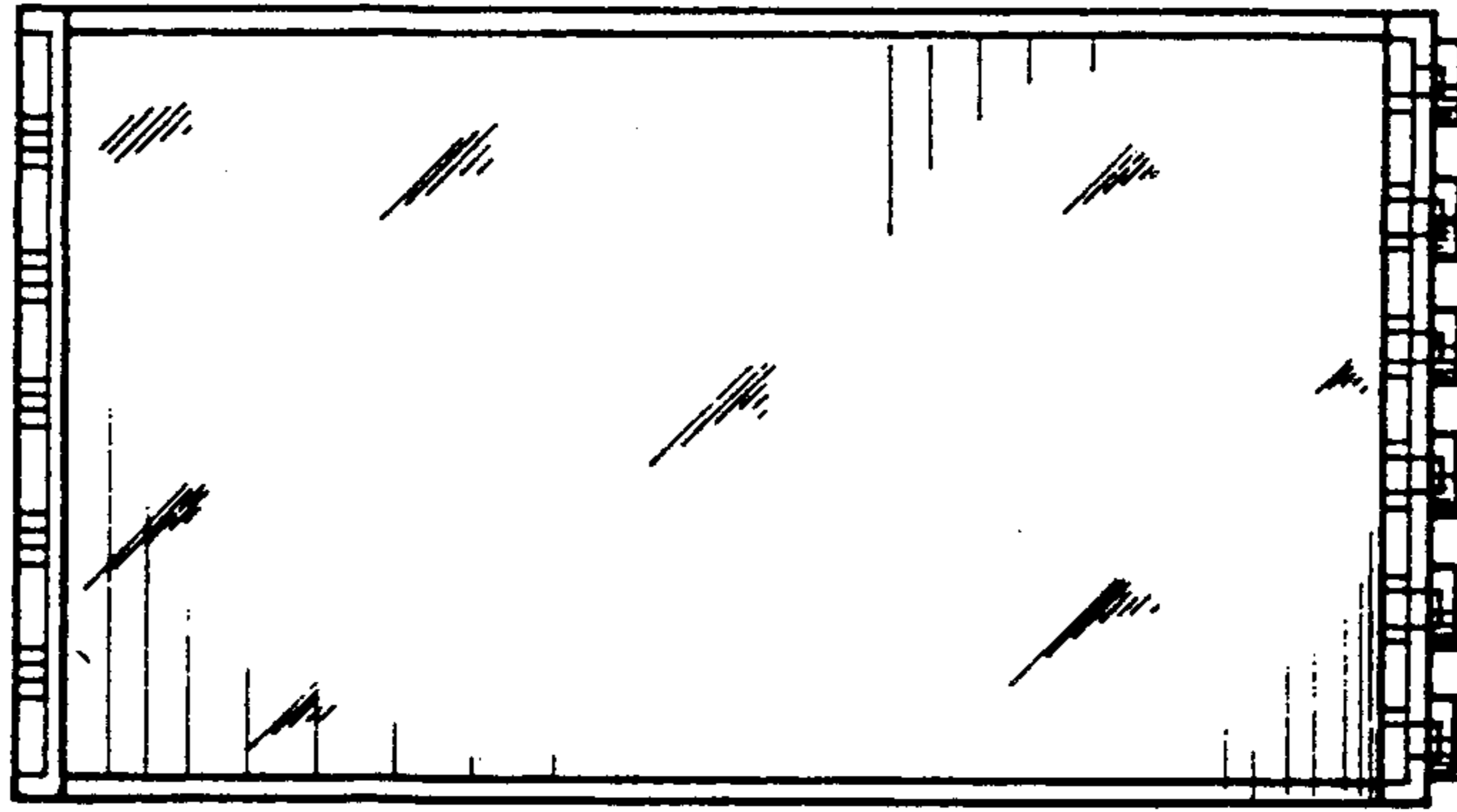


FIG. 5

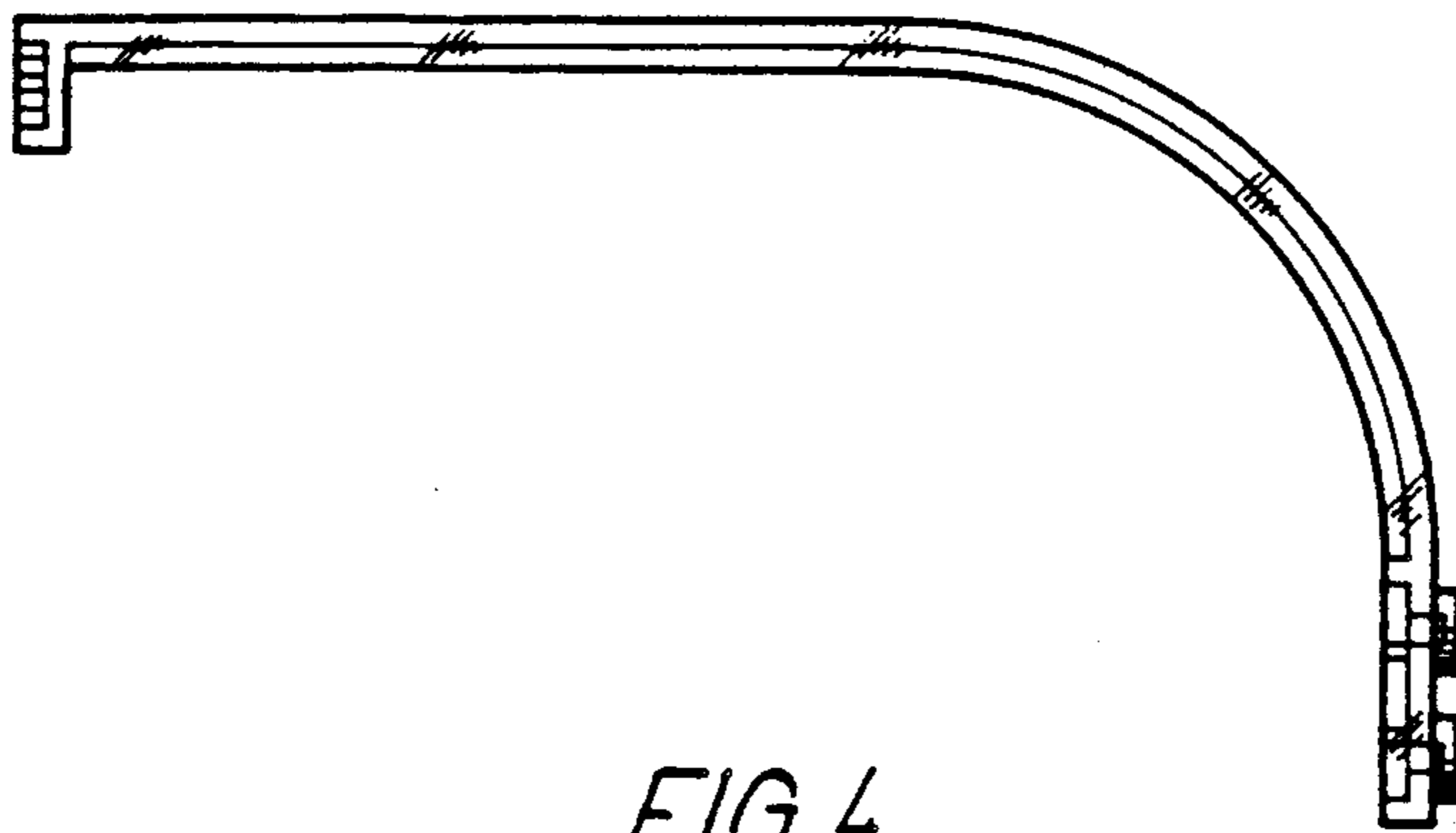


FIG. 4

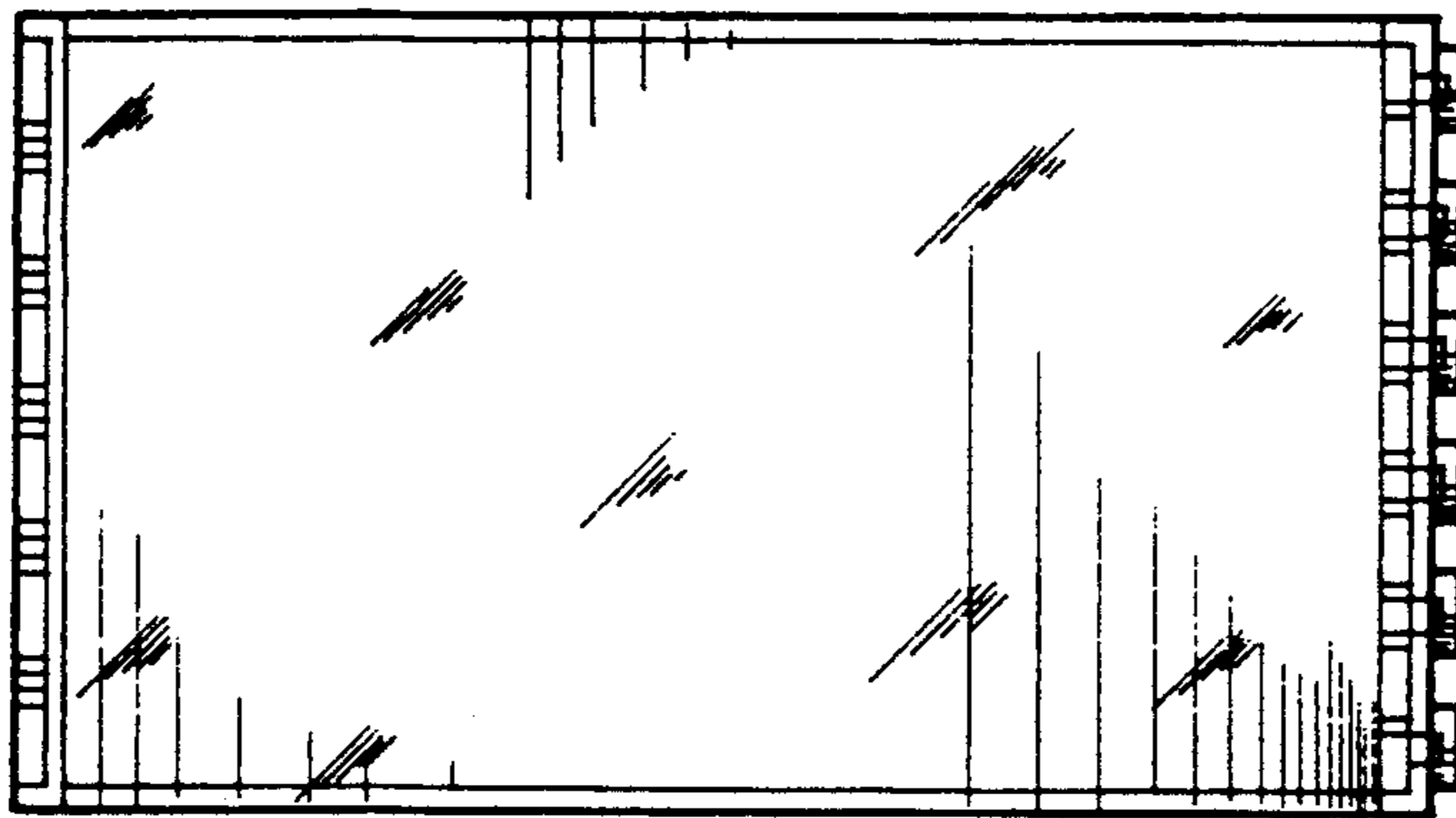


FIG. 3

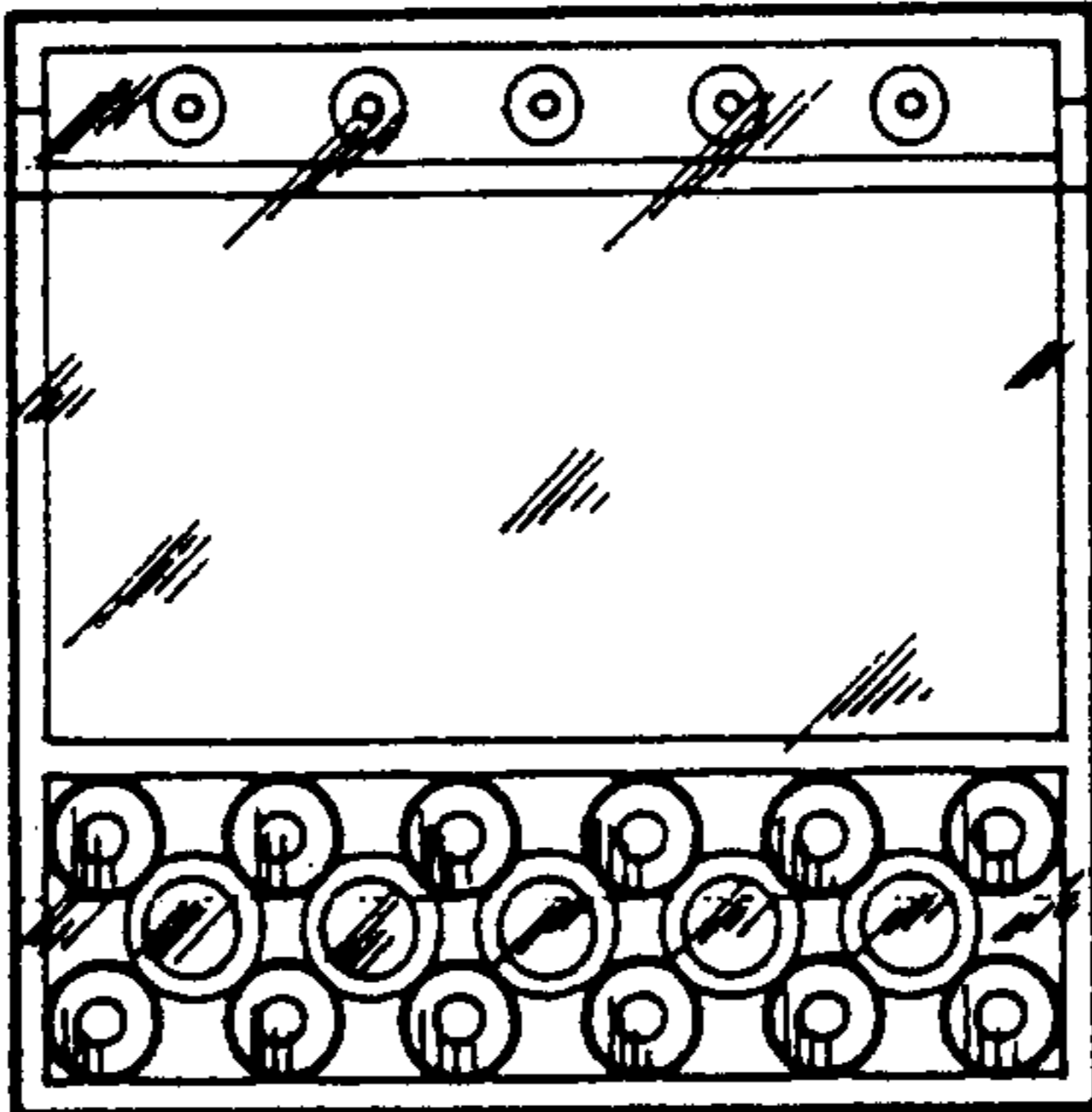


FIG. 6

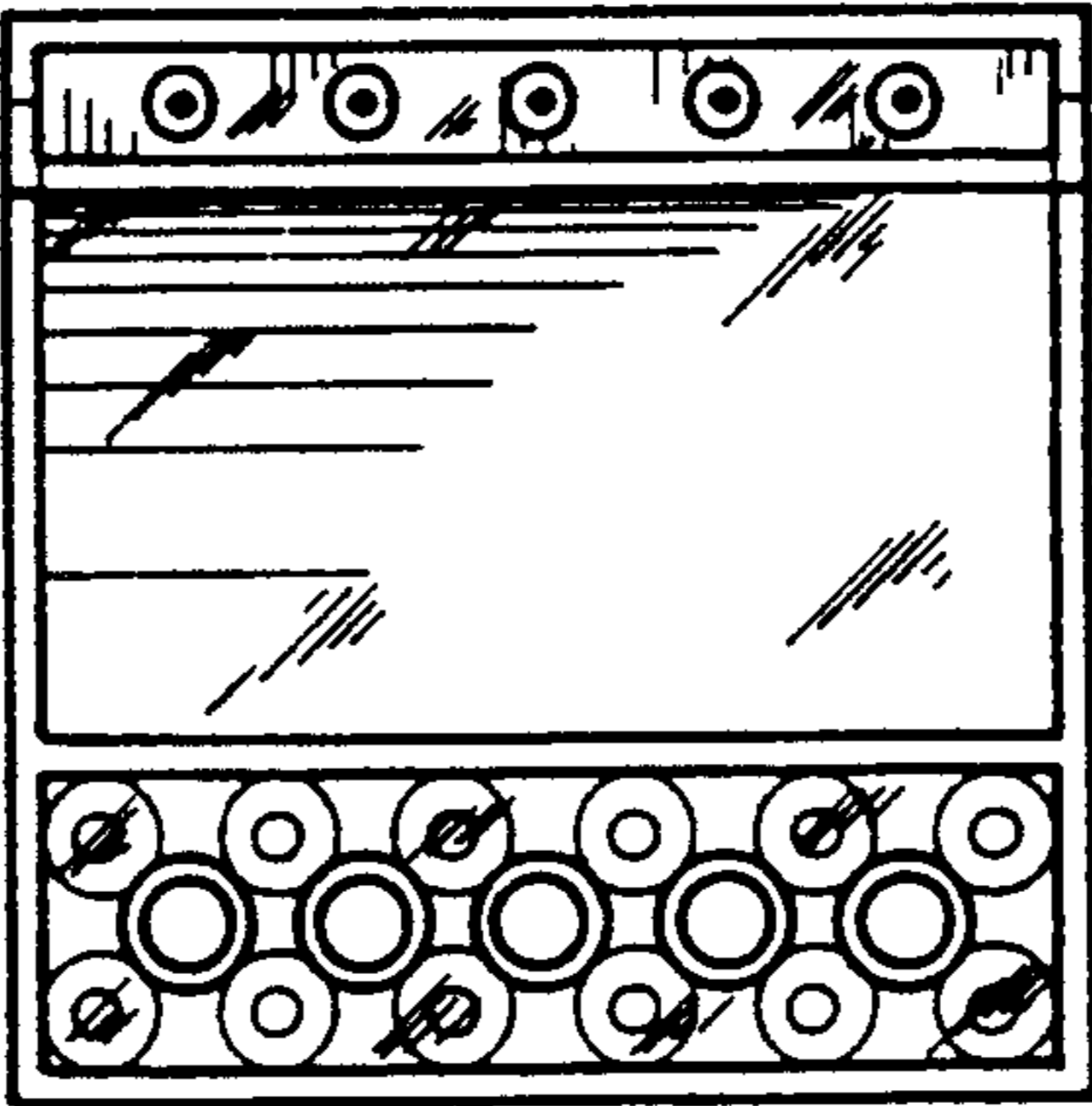


FIG. 7