

[54] **CONSTRUCTION TOY FENCE BLOCK**  
[75] **Inventor: Hope E. Wentling, Stow, Ohio**  
[73] **Assignee: The Little Tikes Company, Hudson, Ohio**  
[\*\*] **Term: 14 Years**  
[21] **Appl. No.: 360,719**  
[22] **Filed: Jun. 2, 1989**  
[52] **U.S. Cl. .... D21/108**  
[58] **Field of Search ..... D21/108; D25/113, 115, D25/118; 446/102, 104, 105, 106, 107, 108, 109, 111, 112, 113, 114, 115, 116, 117, 120, 121, 122, 124, 125, 128**

2068434 8/1981 United Kingdom ..... D25/113

**OTHER PUBLICATIONS**

P. 81, 1981 Product Catalog, Learning Products Inc., 10845 Bavr Blvd., St. Louis, Mo. 63132, publication date 1981.  
P. 111, 1981-1982 ABC School Supply Inc., Catalog, 6500 Peachtree Industrial Blvd., Norcross, Ga. 30071, publication date 1981.  
P. 61, 1984-1985 Constructive Playthings Catalog, 1227 E. 119th St., Grandview, Mo. 54030, publication date 1984.  
P. 9, The Little Tikes Company, 2180 Barlow Rd., Hudson, Ohio 44236, publication date 1988.

*Primary Examiner*—Charles A. Rademaker  
*Attorney, Agent, or Firm*—Richard B. O'Planick

[56] **References Cited**

**U.S. PATENT DOCUMENTS**

D. 285,585 9/1986 Murdough et al. .  
D. 285,586 9/1986 Murdough et al. .  
D. 285,587 9/1986 Murdough et al. .  
1,894,061 1/1933 Sanders .  
3,442,044 5/1969 Quercetti .  
3,819,188 6/1974 Freedman .  
4,931,041 3/1988 Ziegler ..... 446/102

**FOREIGN PATENT DOCUMENTS**

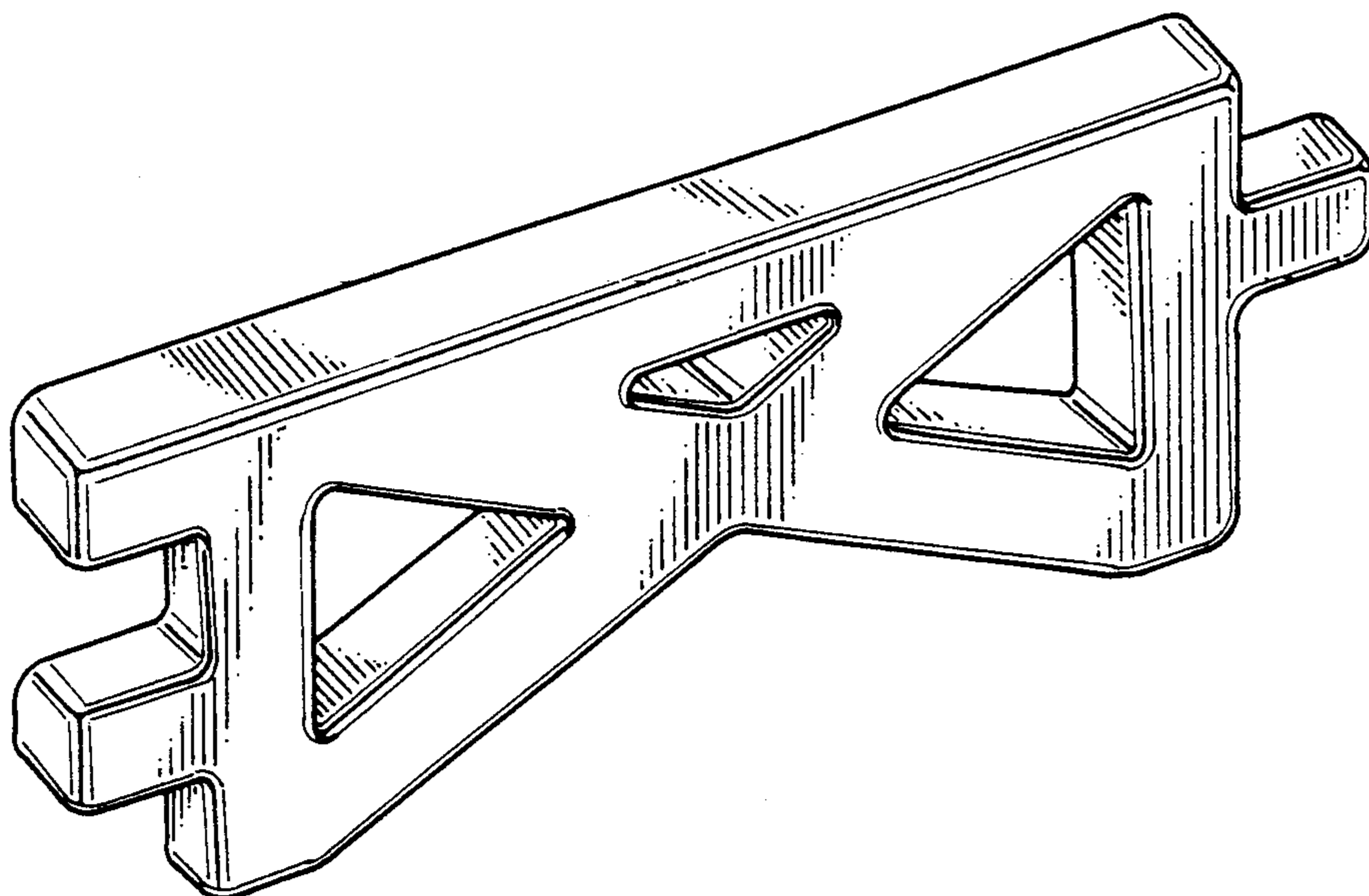
727517 10/1942 Fed. Rep. of Germany .  
2716090 10/1978 Fed. Rep. of Germany .  
56294 9/1952 France ..... 446/125  
1218588 12/1959 France .

[57] **CLAIM**

The ornamental design for a construction toy fence block, as shown and described.

**DESCRIPTION**

FIG. 1 is a front perspective view of a construction toy fence block embodying my new design;  
FIG. 2 is a front elevational view thereof;  
FIG. 3 is a top plan view thereof;  
FIG. 4 is a bottom plan view thereof;  
FIG. 5 is a rear elevational view thereof;  
FIG. 6 is a left side elevational view thereof;  
FIG. 7 is a right side elevational view thereof.



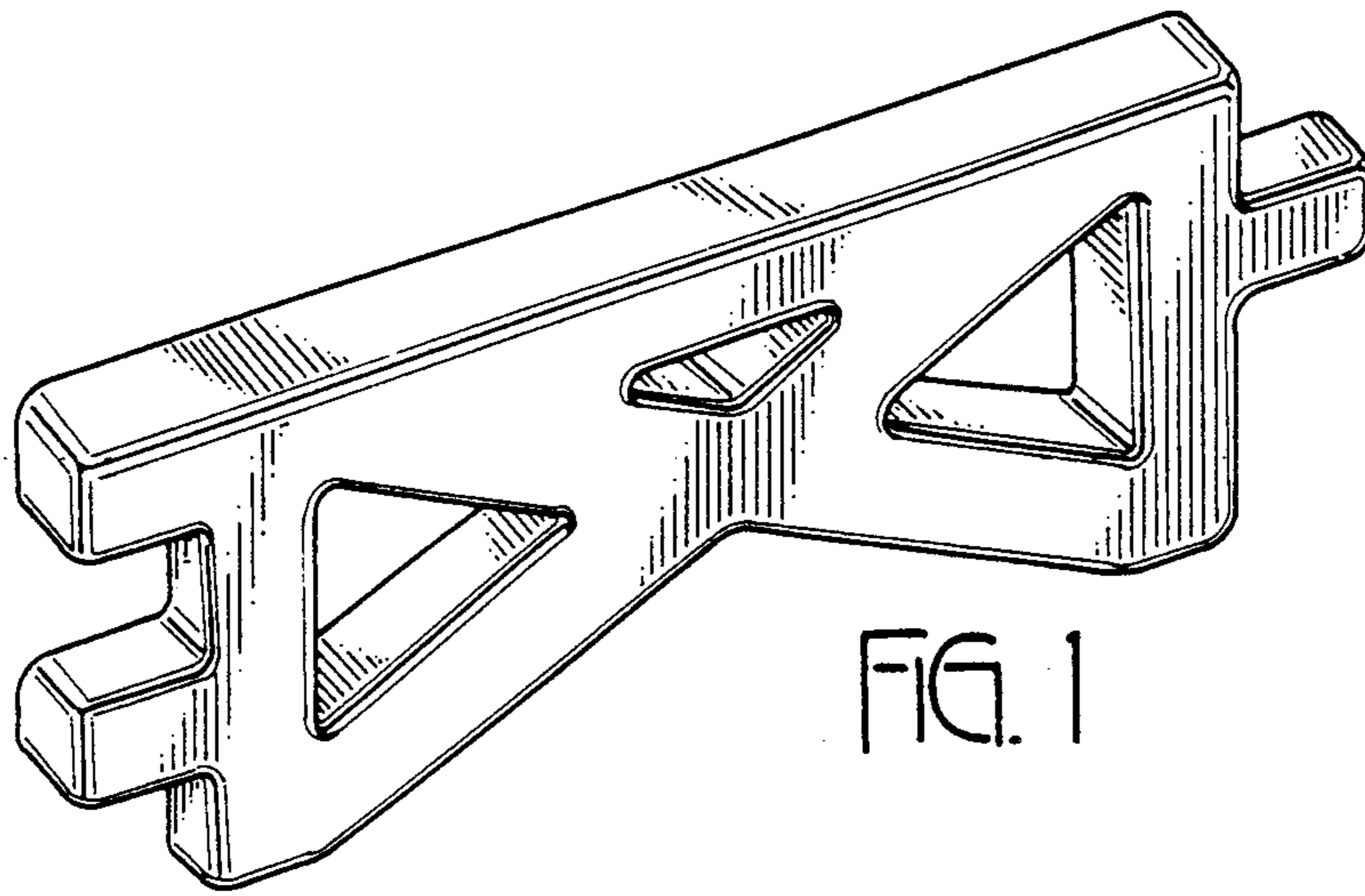


FIG. 1

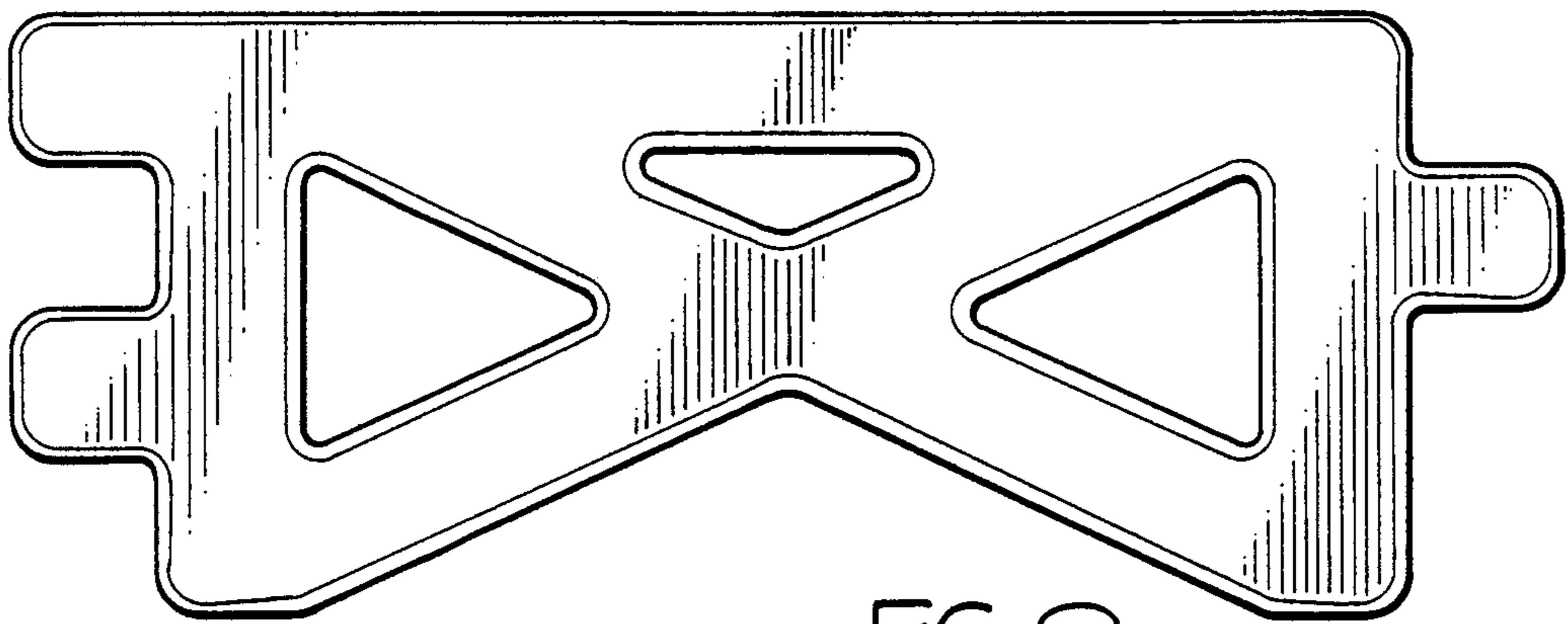


FIG. 2

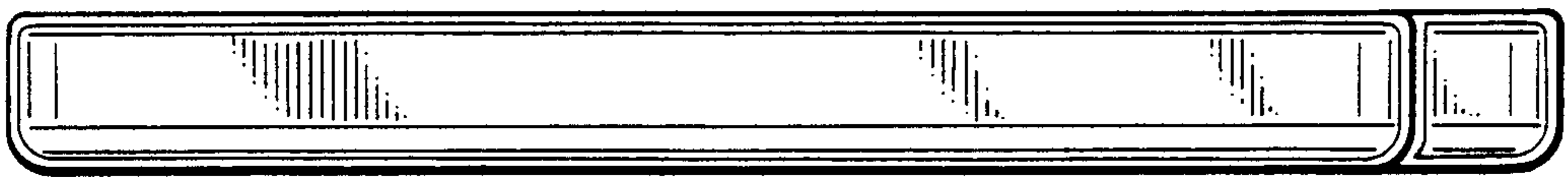


FIG. 3



FIG. 4

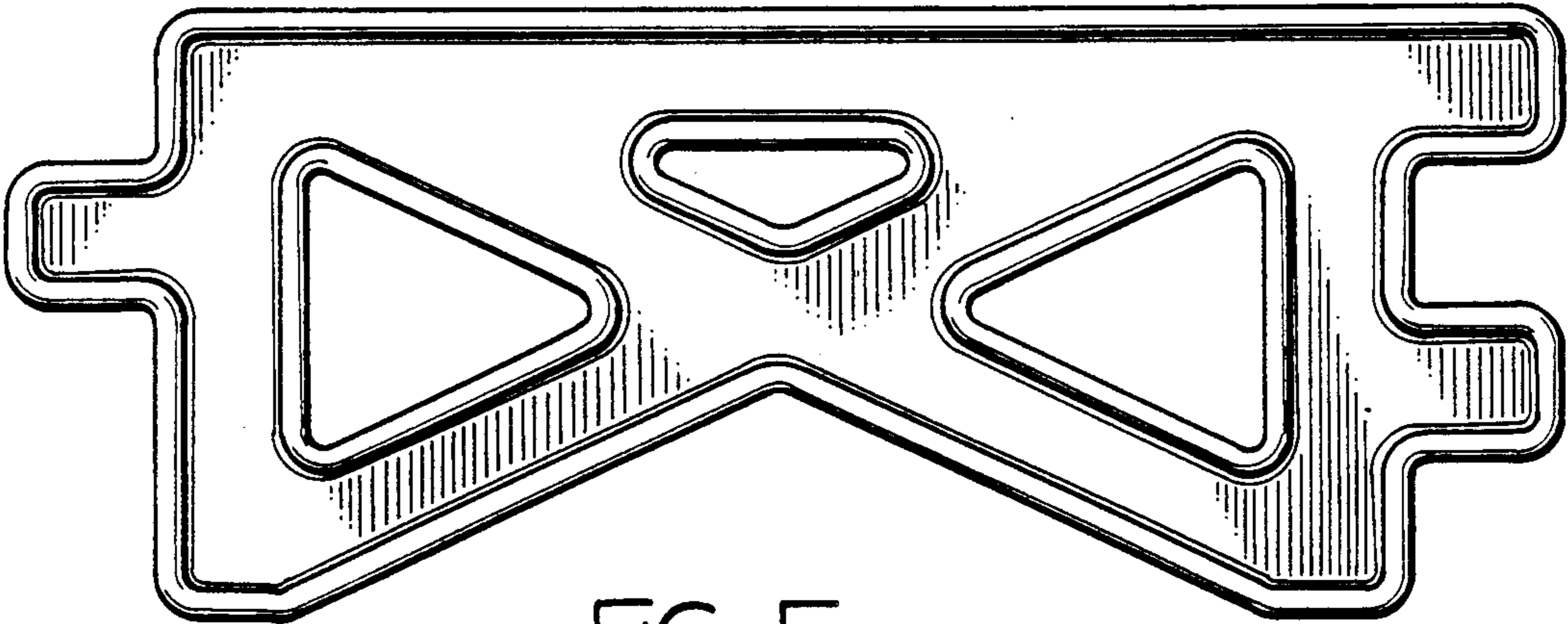


FIG. 5



FIG. 6



FIG. 7