

[54] PUZZLE

[56] References Cited

[76] Inventor: David B. Ayers, 13908 Cravenridge Dr., Houston, Tex. 77083

U.S. PATENT DOCUMENTS

3,840,235 10/1974 Breslow D21/40
4,002,401 1/1977 Malberg 273/155
4,708,345 11/1987 Ayers 273/155

[**] Term: 14 Years

Primary Examiner—Charles A. Rademaker
Attorney, Agent, or Firm—James L. Jackson & Assoc.

[21] Appl. No.: 295,901

[57] CLAIM

The ornamental design for a puzzle, as shown and described.

[22] Filed: Jan. 11, 1989

DESCRIPTION

[52] U.S. Cl. D21/104

FIG. 1 is a perspective view of a puzzle showing my new design;

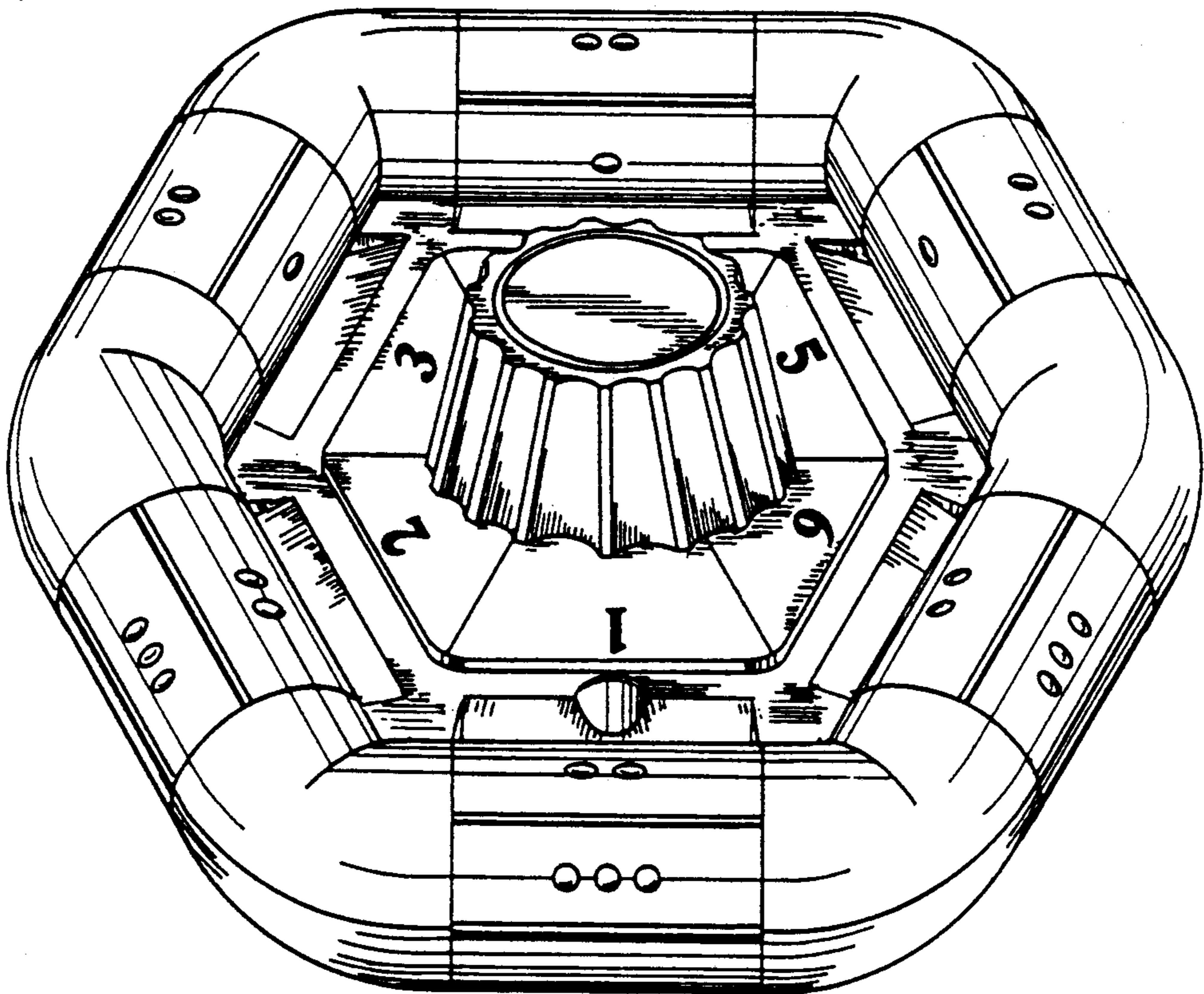
[58] Field of Search D21/40, 104, 107;

FIG. 2 is a top plan view thereof;

273/155, 153 S; 434/174

FIG. 3 is a bottom plan view thereof; and,

FIG. 4 is a side elevational view thereof.



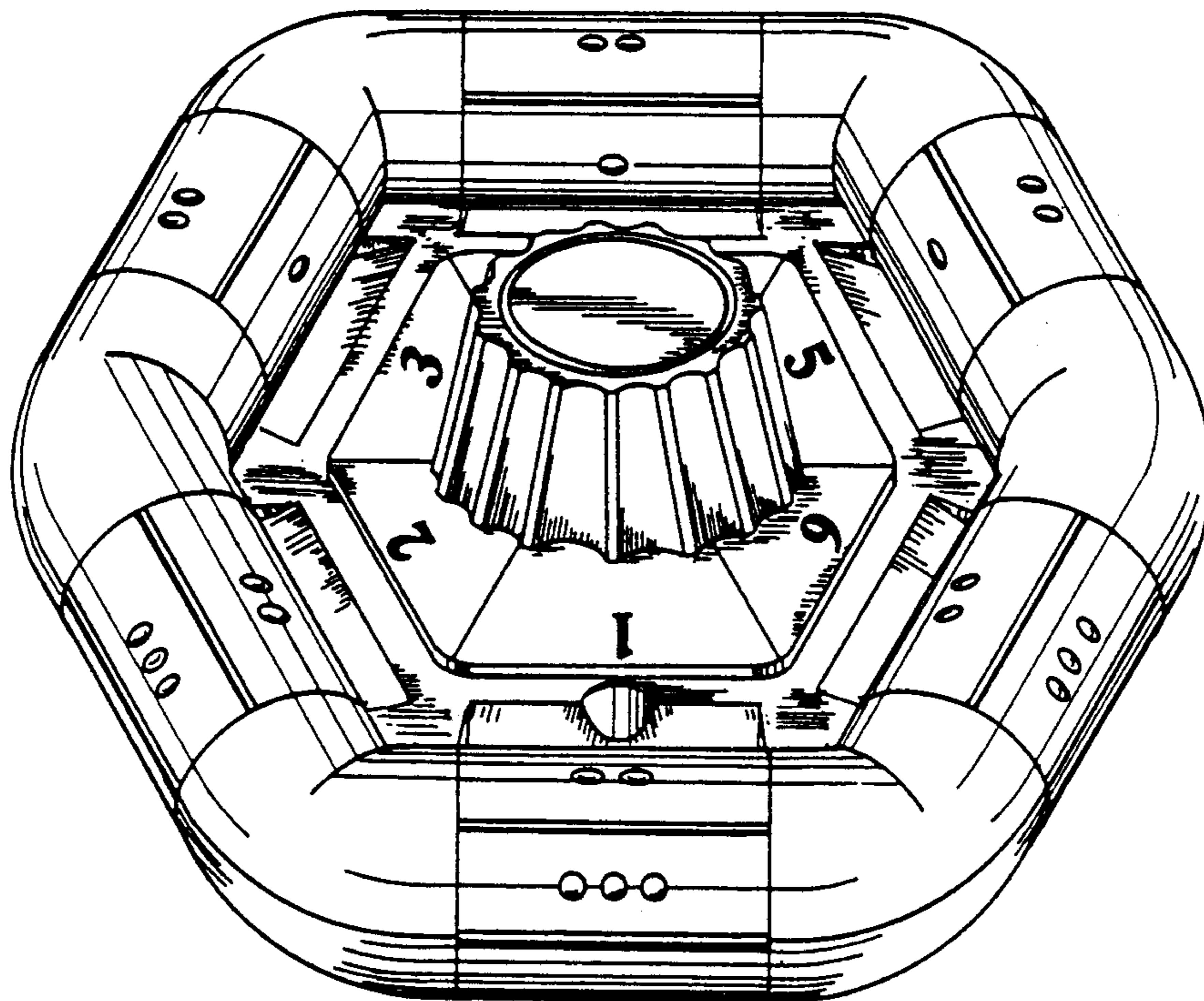


FIG. 1

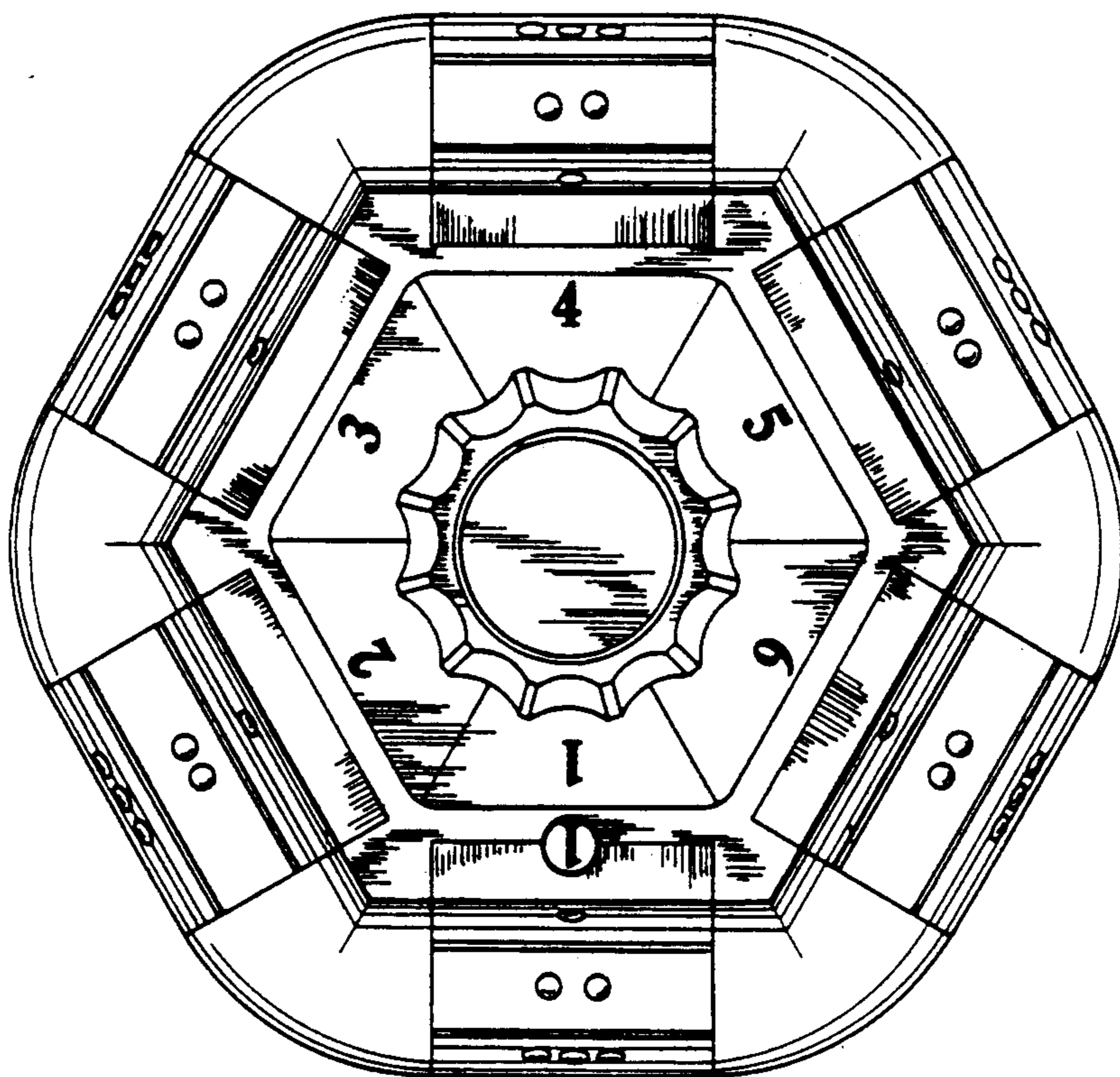


FIG. 2

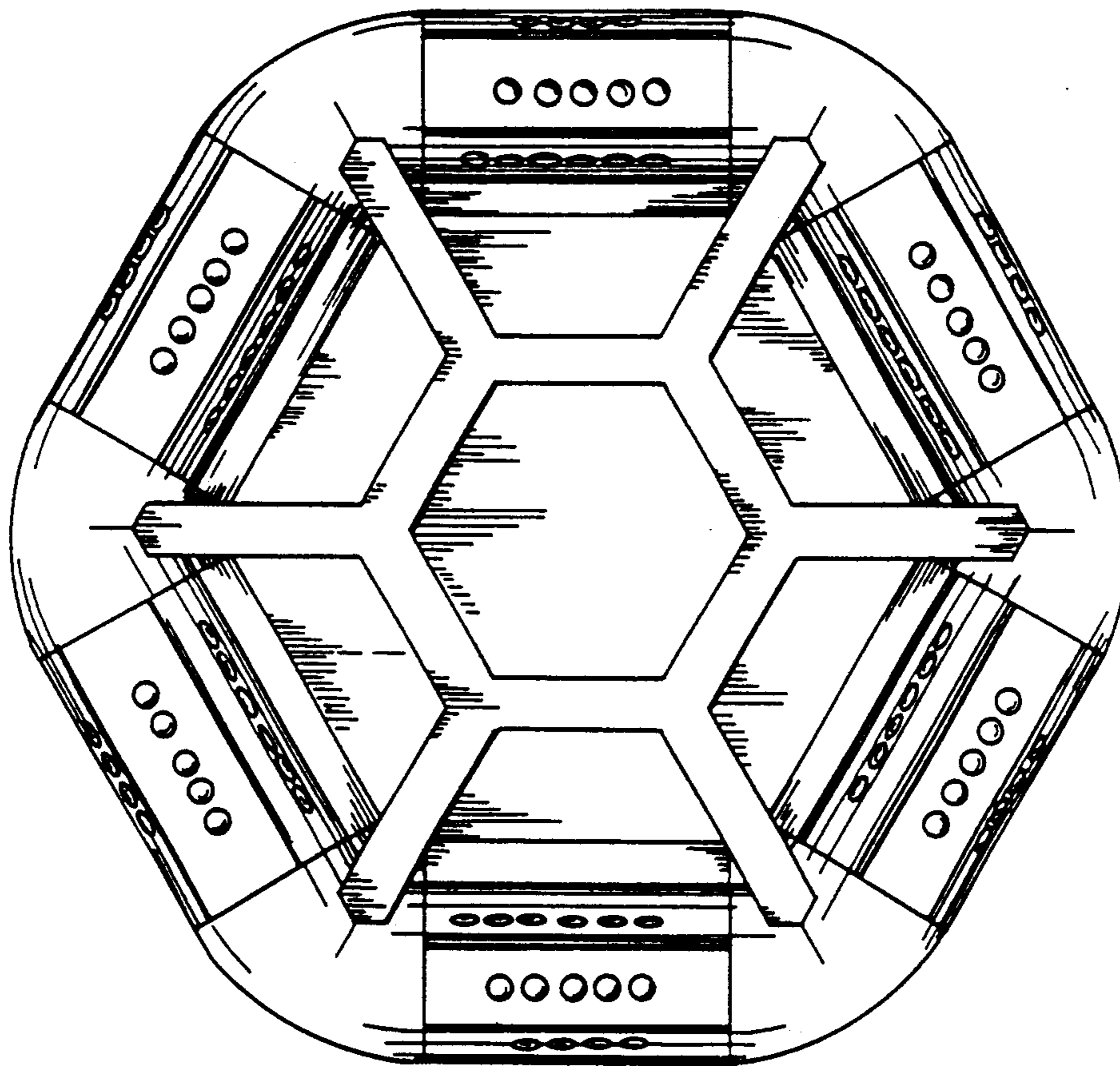


FIG. 3

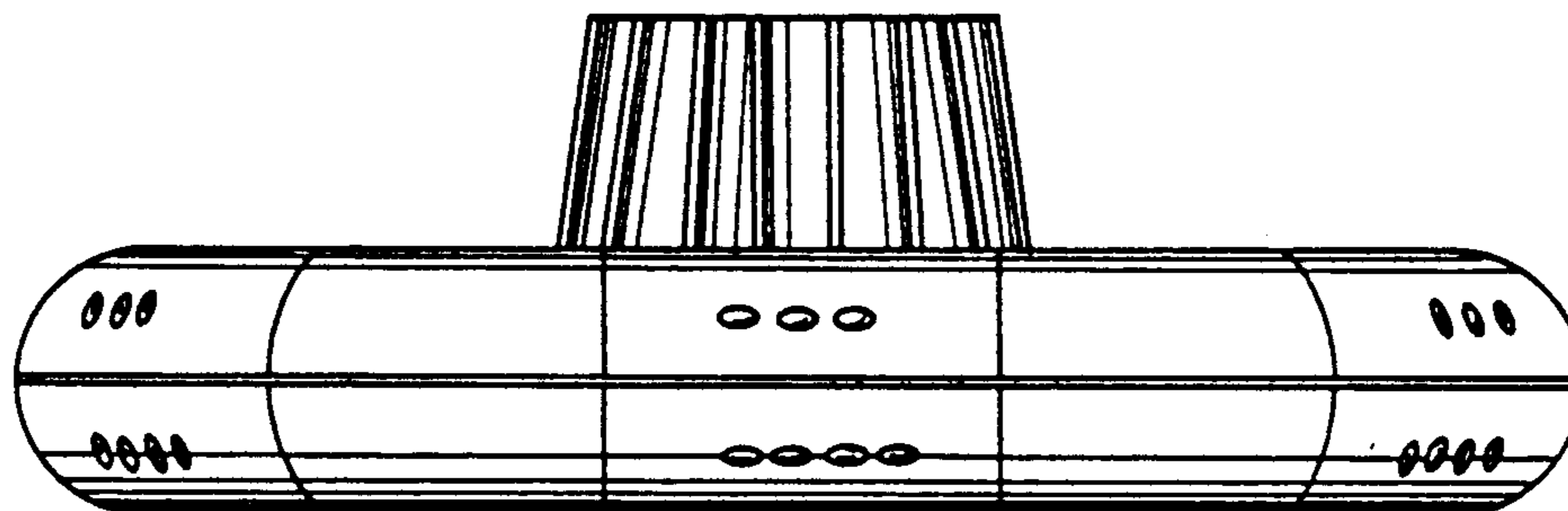


FIG. 4