

[54] ROTATING KITE

[76] Inventors: Orville A. Hultgren, 309 Plymouth Rd. S., Minnetonka, Minn. 55343; Eugene E. Bolkom, 5300 33rd Ave. N., Golden Valley, Minn. 55422

[**] Term: 14 Years

[21] Appl. No.: 426,458

[22] Filed: Oct. 20, 1989

Related U.S. Application Data

[63] Continuation of Ser. No. 103,791, Oct. 2, 1987, abandoned.

[52] U.S. Cl. D21/87

[58] Field of Search D21/88, 89, 90, 93; 244/153 R, 153 A, 155 R

References Cited

U.S. PATENT DOCUMENTS

D. 160,910 11/1950 Wolford 244/153 A

D. 232,572 8/1974 Torsak D21/93
3,079,115 2/1963 Edwards et al. 244/153 A
4,012,017 3/1977 Springston et al. 244/153 A
4,121,794 10/1978 Lemelson 244/153 A

FOREIGN PATENT DOCUMENTS

953276 3/1964 United Kingdom 244/153 A

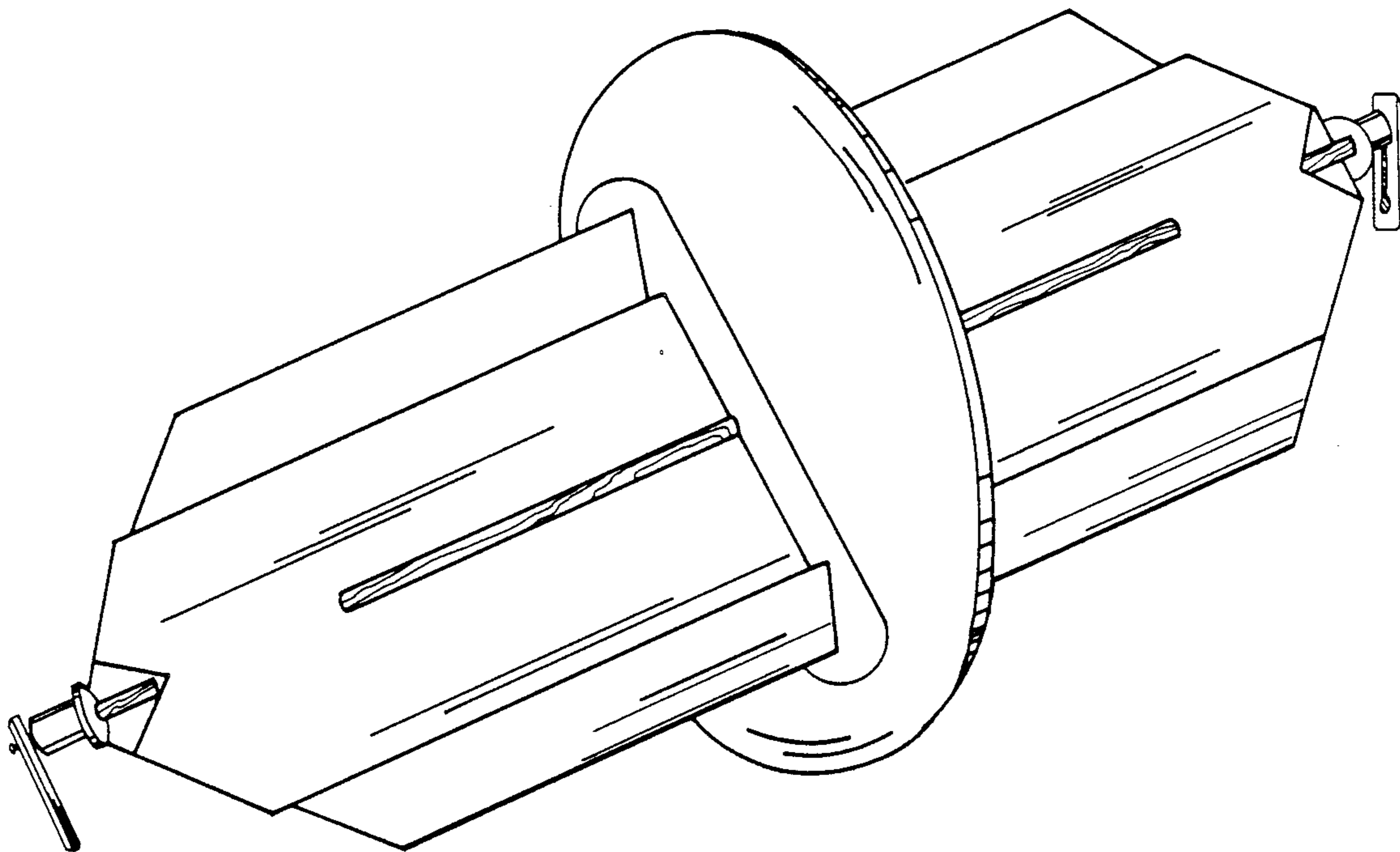
Primary Examiner—Charles A. Rademaker
Attorney, Agent, or Firm—Steven E. Kahm

[57] CLAIM

The ornamental design for a rotating kite, as shown and described.

DESCRIPTION

FIG. 1 is a front elevational view of the rotating kite showing our new design, the side opposite being a mirror image;
FIG. 2 is a top plan view thereof, the side opposite being a mirror image;
FIG. 3 is a perspective view thereof, and,
FIG. 4 is a side elevational view thereof, the side opposite being a mirror image.



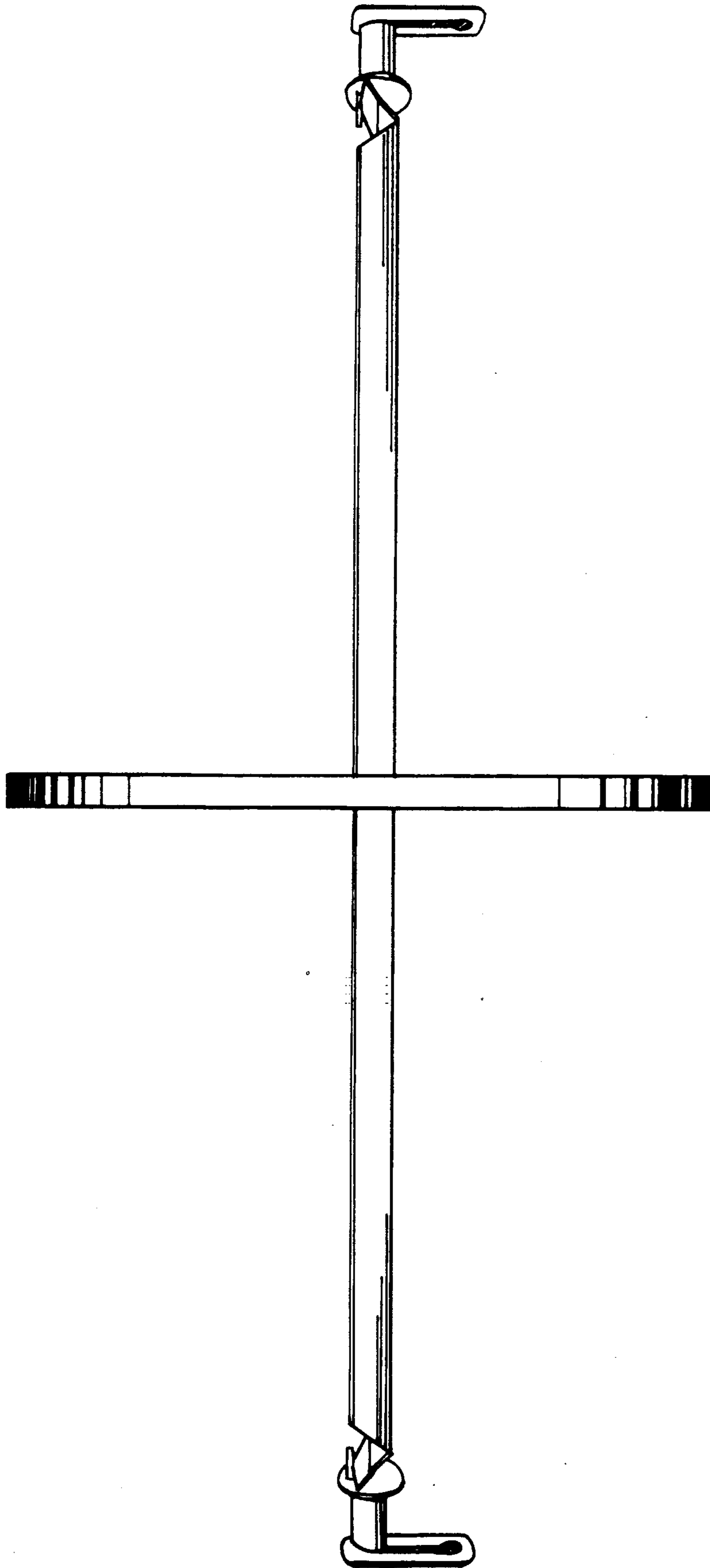


FIG. 1

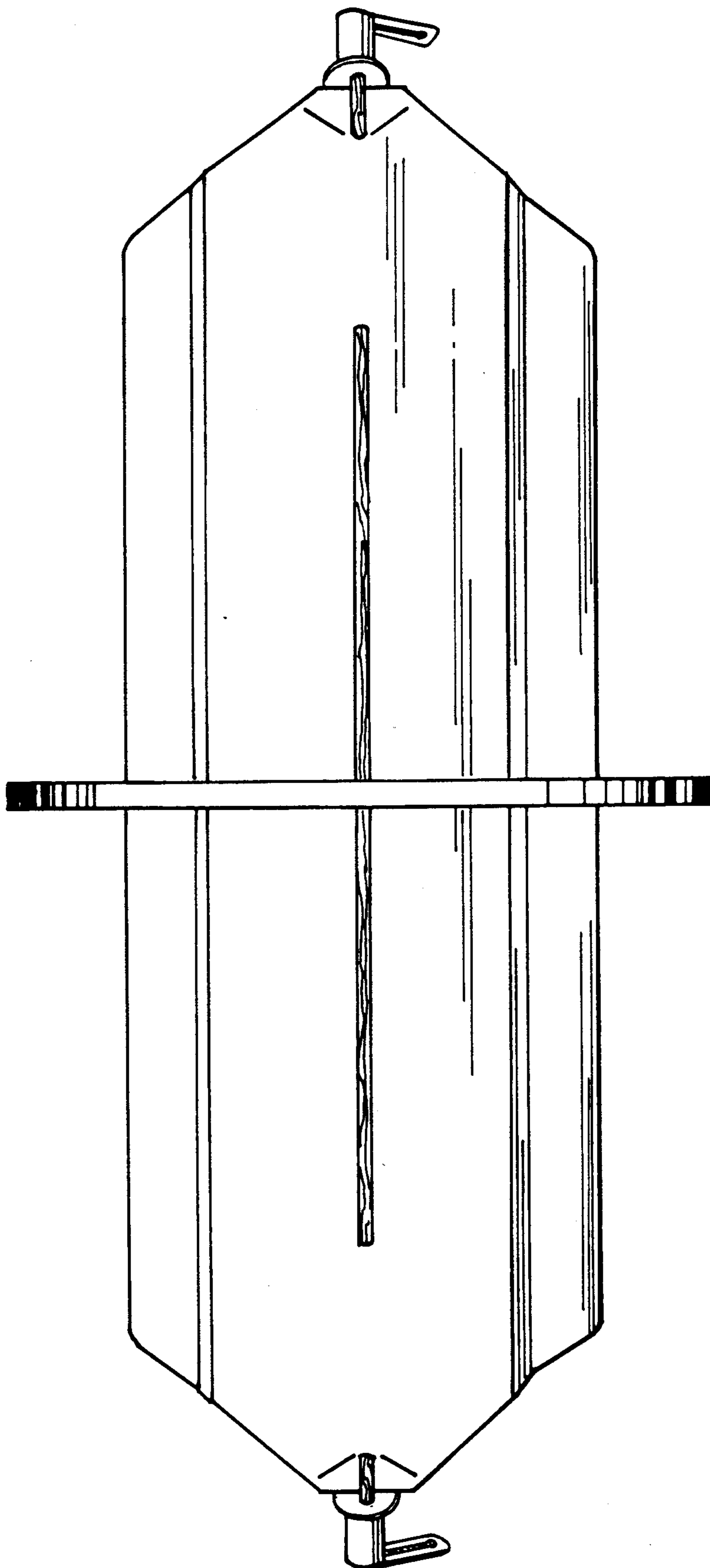
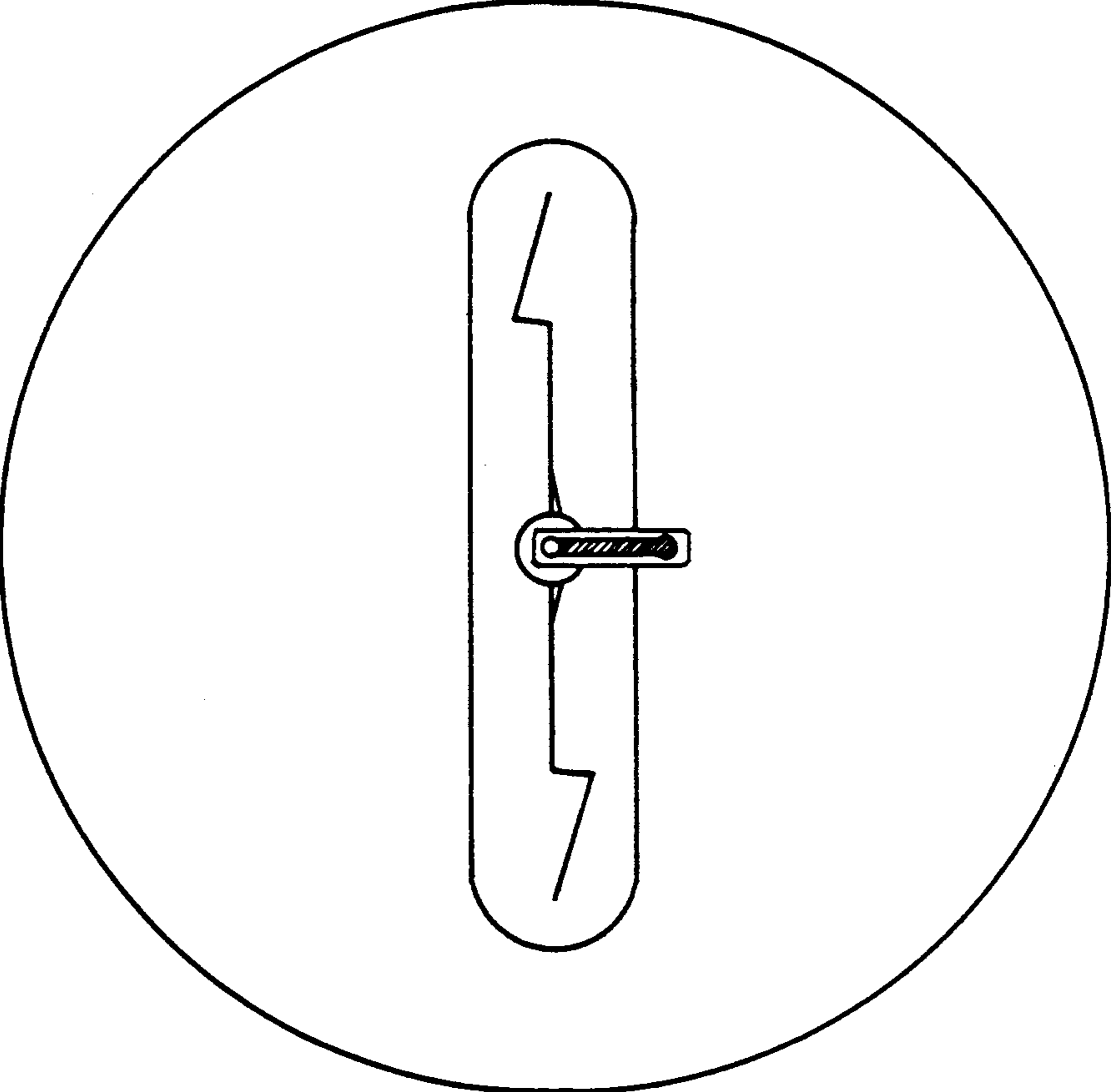


FIG. 2

FIG. 4



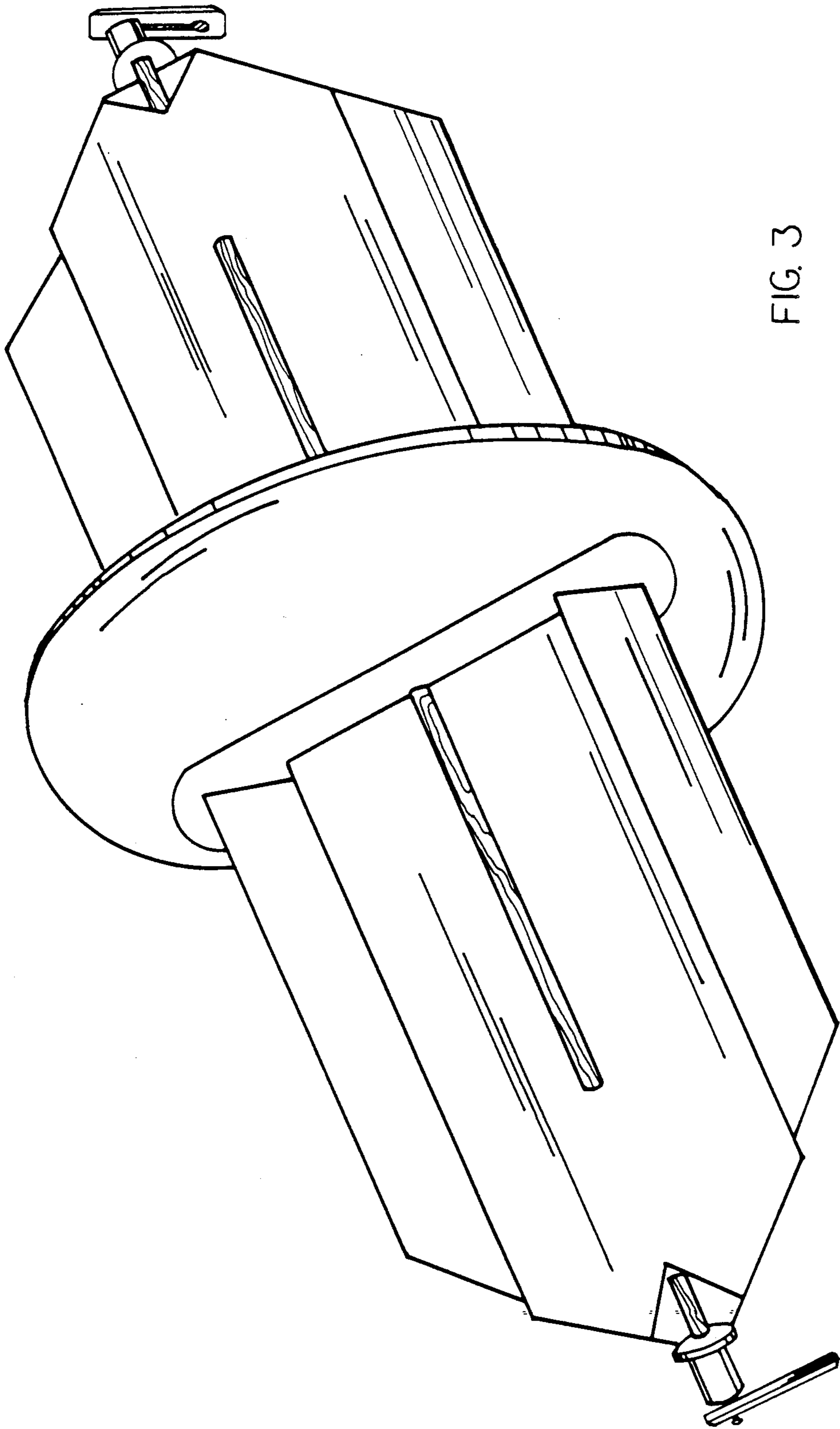


FIG. 3