

[54] METERING PUMP

[75] Inventor: Hans-Jürgen Lannoch,
Linkenheim-Hochstetten, Fed. Rep.
of Germany

[73] Assignee: ProMinent Dosiertchnik GmbH,
Heidelberg, Fed. Rep. of Germany

[**] Term: 14 Years

[21] Appl. No.: 235,221

[22] Filed: Aug. 23, 1988

[30] Foreign Application Priority Data

Mar. 17, 1988 [IB] Int'l Pat. Institute DM/010529

[52] U.S. Cl. D15/7

[58] Field of Search D15/7; 417/423.3, 423.2,
417/423.14, 413, 417; 92/101, 129, 144, 155, 96

[56] References Cited

U.S. PATENT DOCUMENTS

D. 262,113 12/1981 Durrum D15/7
4,523,902 6/1985 Wally 417/413 X
4,537,565 8/1985 Edler 417/417 X
4,565,501 1/1986 Laurendeau et al. 92/101 X

FOREIGN PATENT DOCUMENTS

558595 1/1944 United Kingdom 417/424.1

OTHER PUBLICATIONS

Cole-Parmer Catalog, 1985-86, p. 548, upper right corner pump.

Primary Examiner—A. Hugo Word
Assistant Examiner—Doris V. Coles
Attorney, Agent, or Firm—Peter K. Kontler

[57] CLAIM

The ornamental design for a metering pump, as shown and described.

DESCRIPTION

FIG. 1 is a right side elevational view of a metering pump embodying my new design;
FIG. 2 is a left side elevational view thereof;
FIG. 3 is a front elevational view thereof;
FIG. 4 is a rear elevational view thereof;
FIG. 5 is a top plan view thereof;
FIG. 6 is a bottom plan view thereof;
FIG. 7 is a perspective view thereof; and
FIG. 8 is another perspective view thereof.

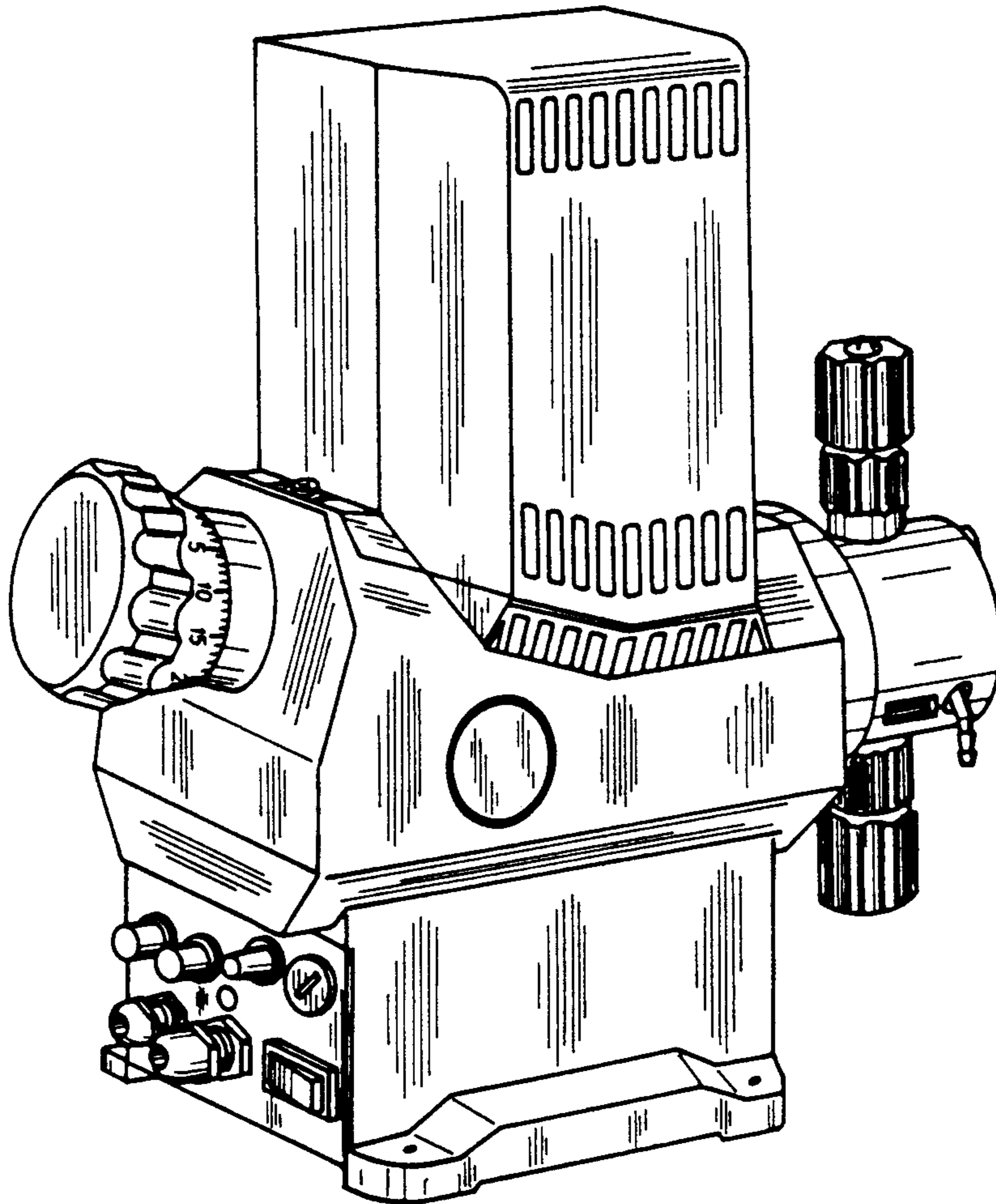


Fig. 1

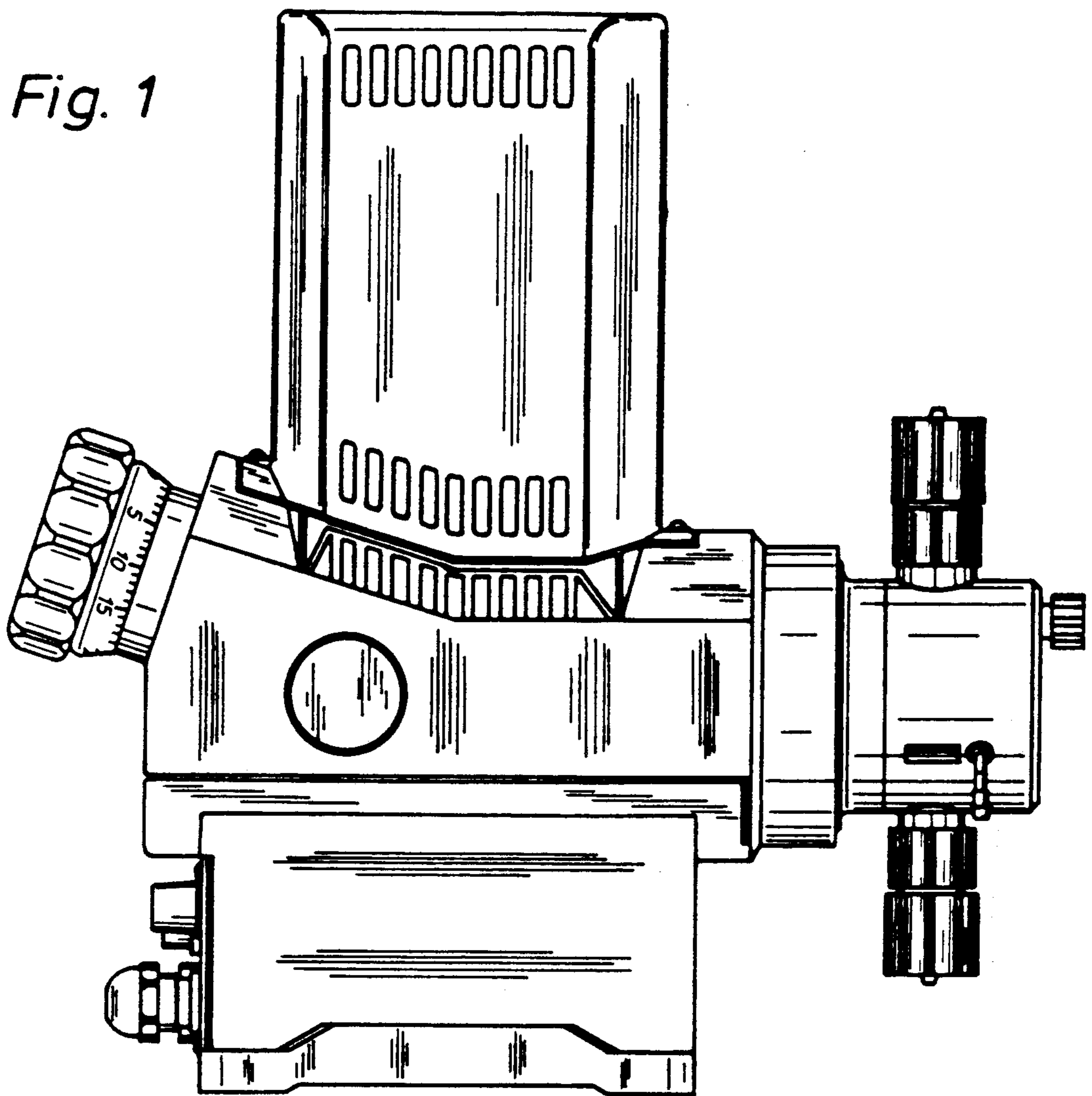


Fig. 2

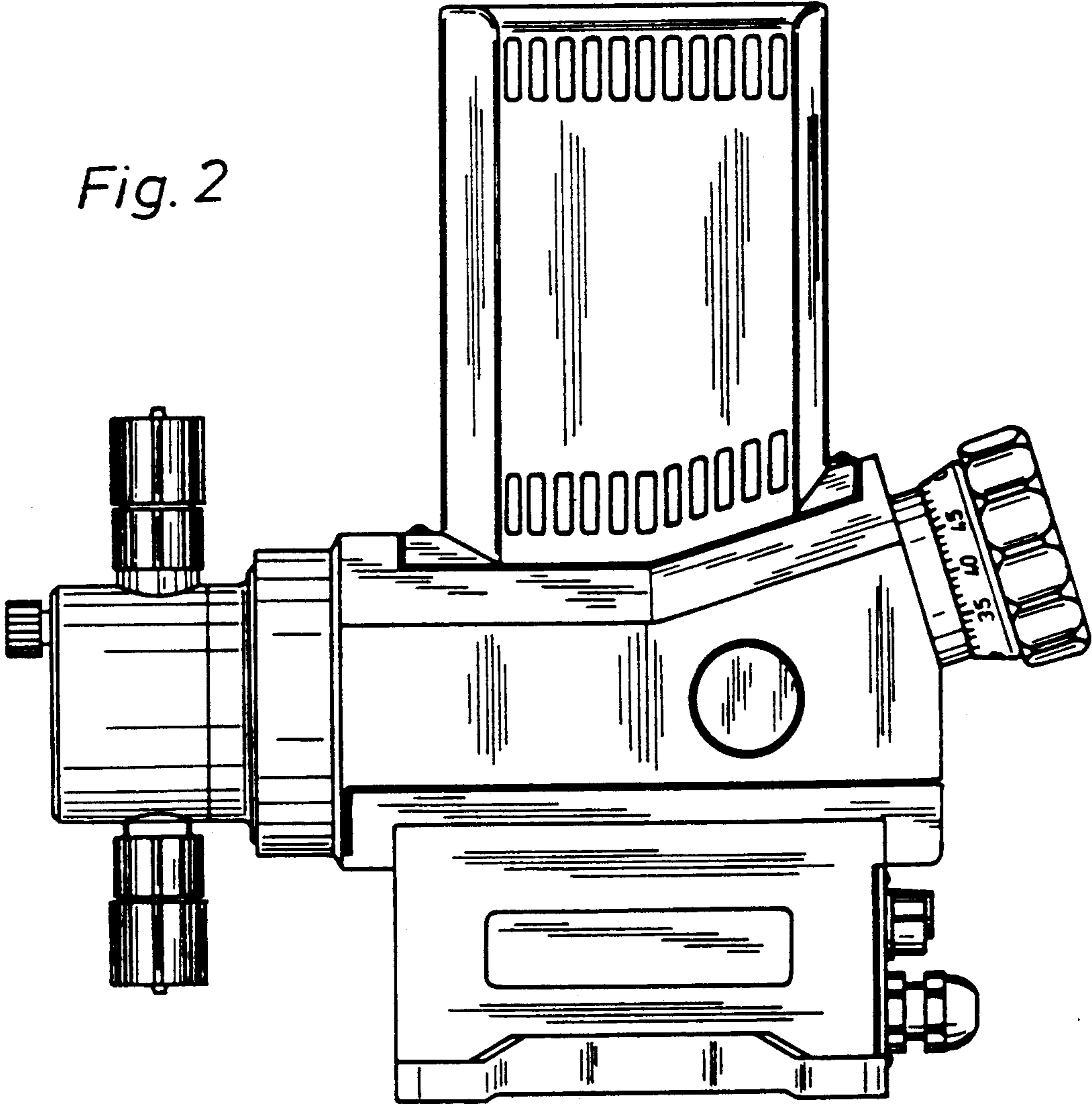


Fig.3

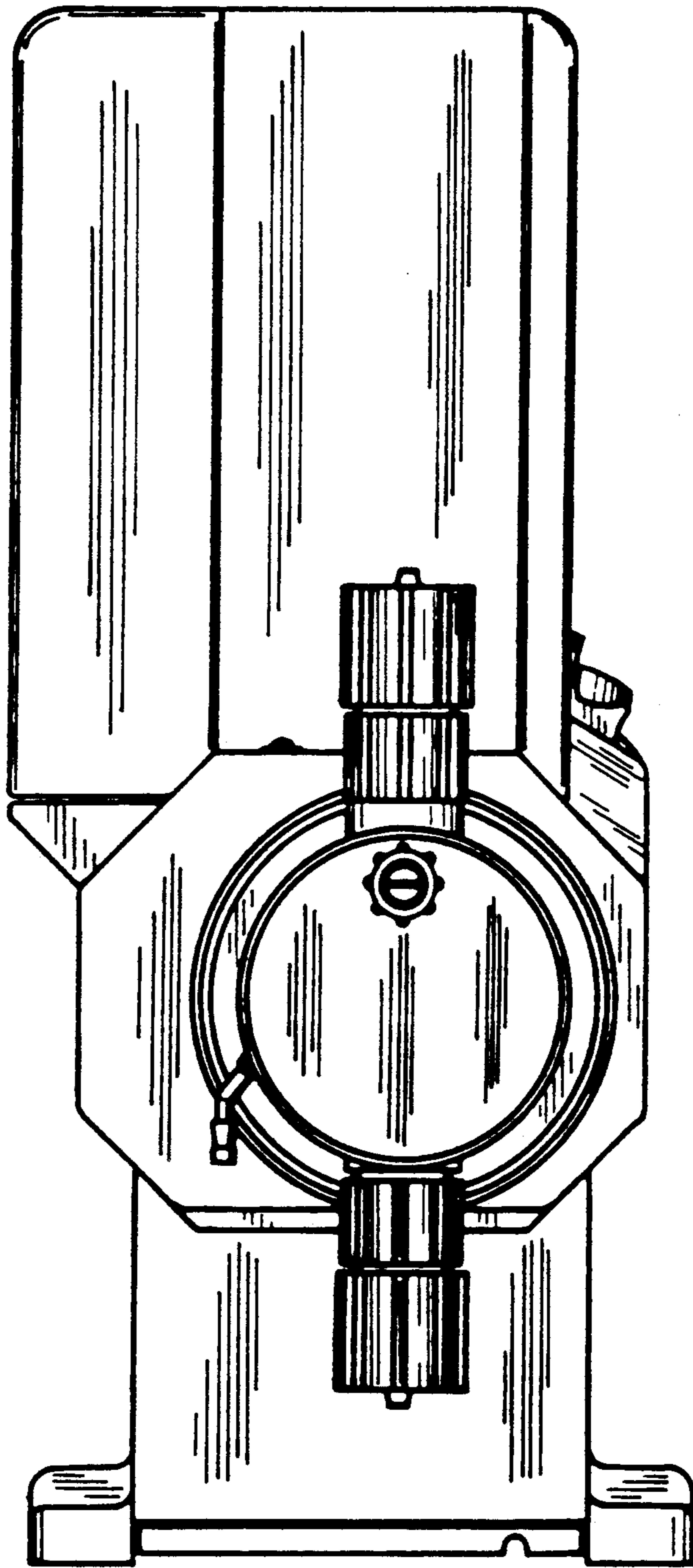


Fig. 4

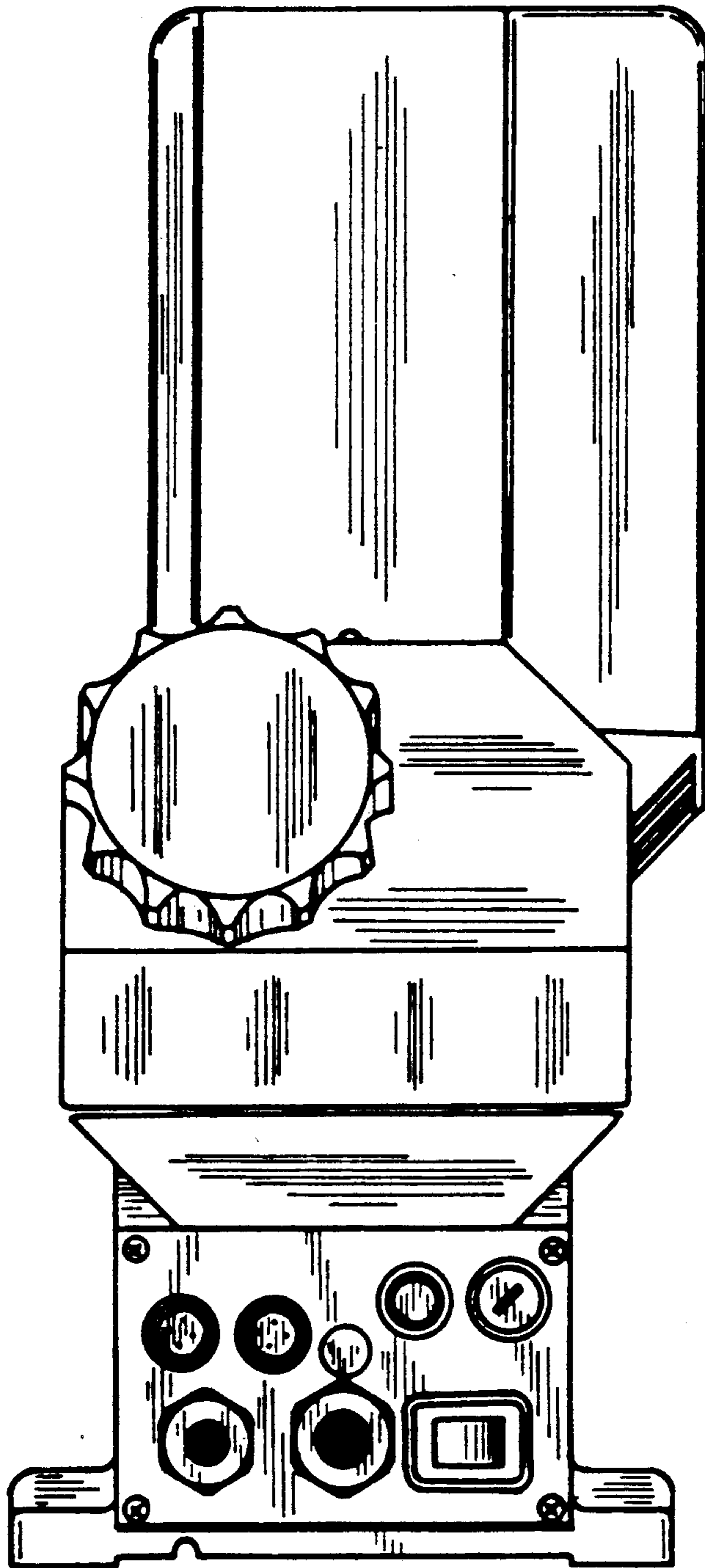


Fig. 5

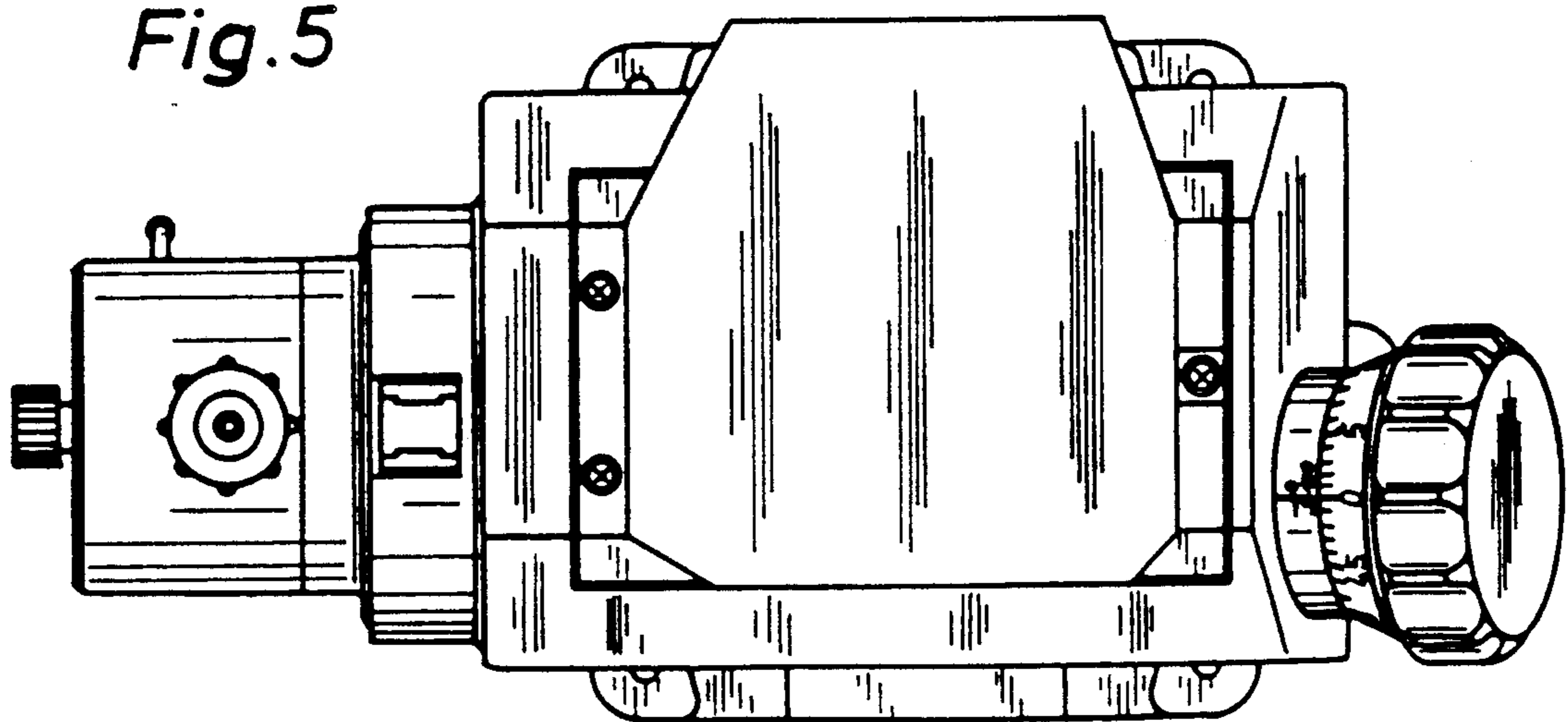


Fig. 6

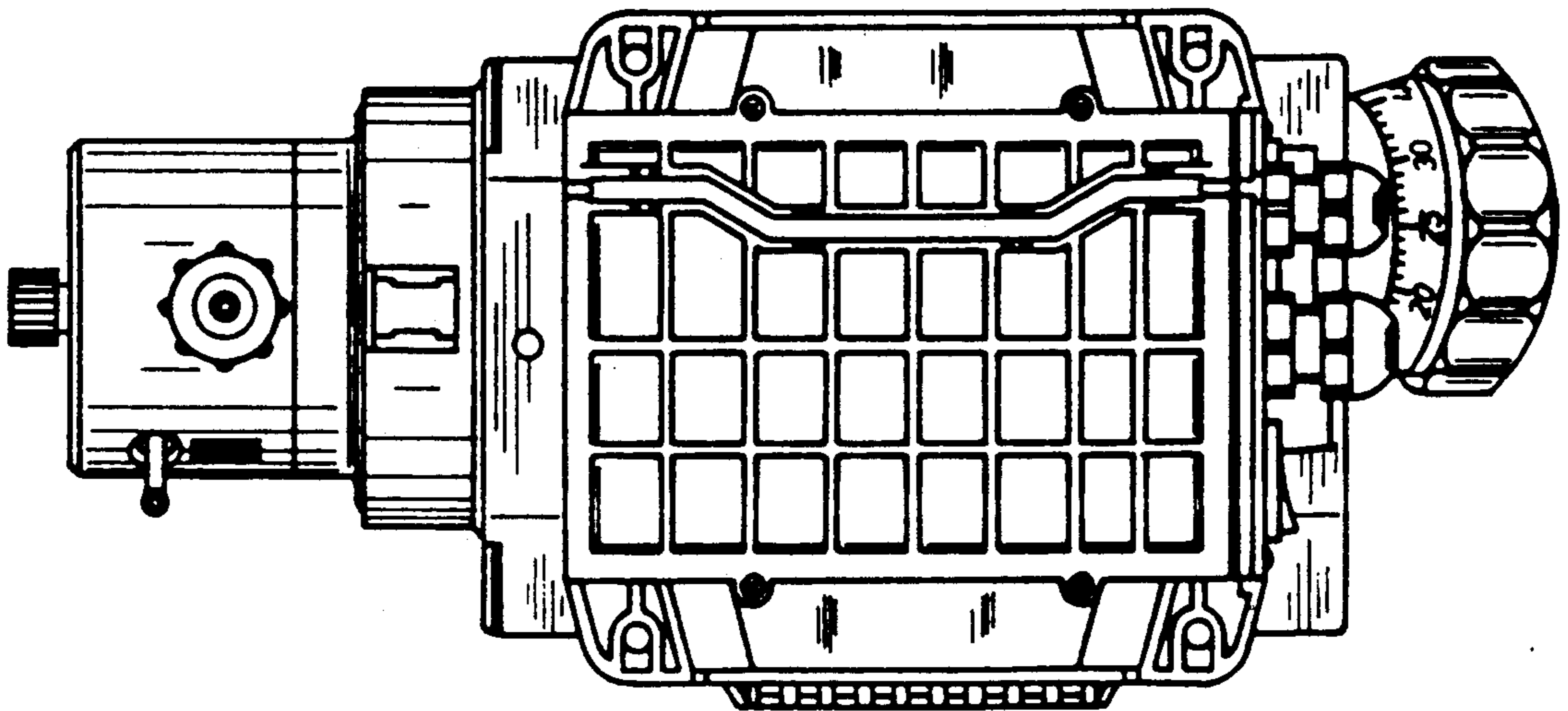


Fig. 7

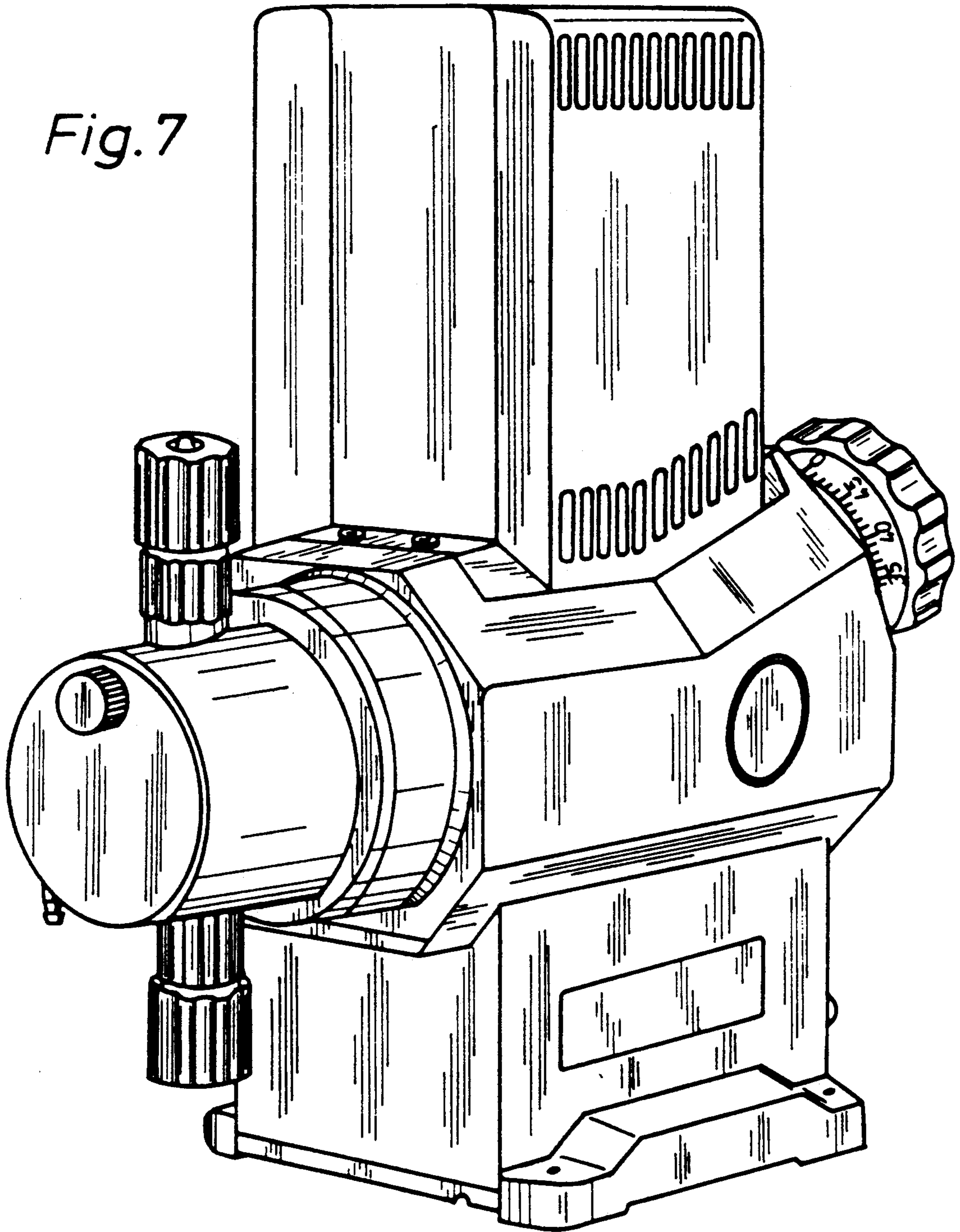


Fig. 8

