

[54] CLOCK RADIO

[75] Inventor: Kenji Shimasaki, Hong Kong, Hong Kong

[73] Assignee: Eric Beare Associates Limited, Hong Kong

[**] Term: 14 Years

[21] Appl. No.: 279,131

[22] Filed: Dec. 2, 1988

[52] U.S. Cl. D14/171; D10/2; D14/188

[58] Field of Search D14/168, 170-171, D14/188-198; 455/344-347, 350-351; 312/7.1; D10/2, 15

[56] References Cited

U.S. PATENT DOCUMENTS

- D. 247,493 3/1978 Kushida et al. D14/194
- D. 250,763 1/1979 Boldt et al. D14/171
- D. 261,650 11/1981 van de Ven D10/2 X
- D. 264,716 6/1982 Nakajima et al. D14/171

- D. 264,718 6/1982 Hoshino D14/171
- D. 266,166 9/1982 Hamada et al. D14/171

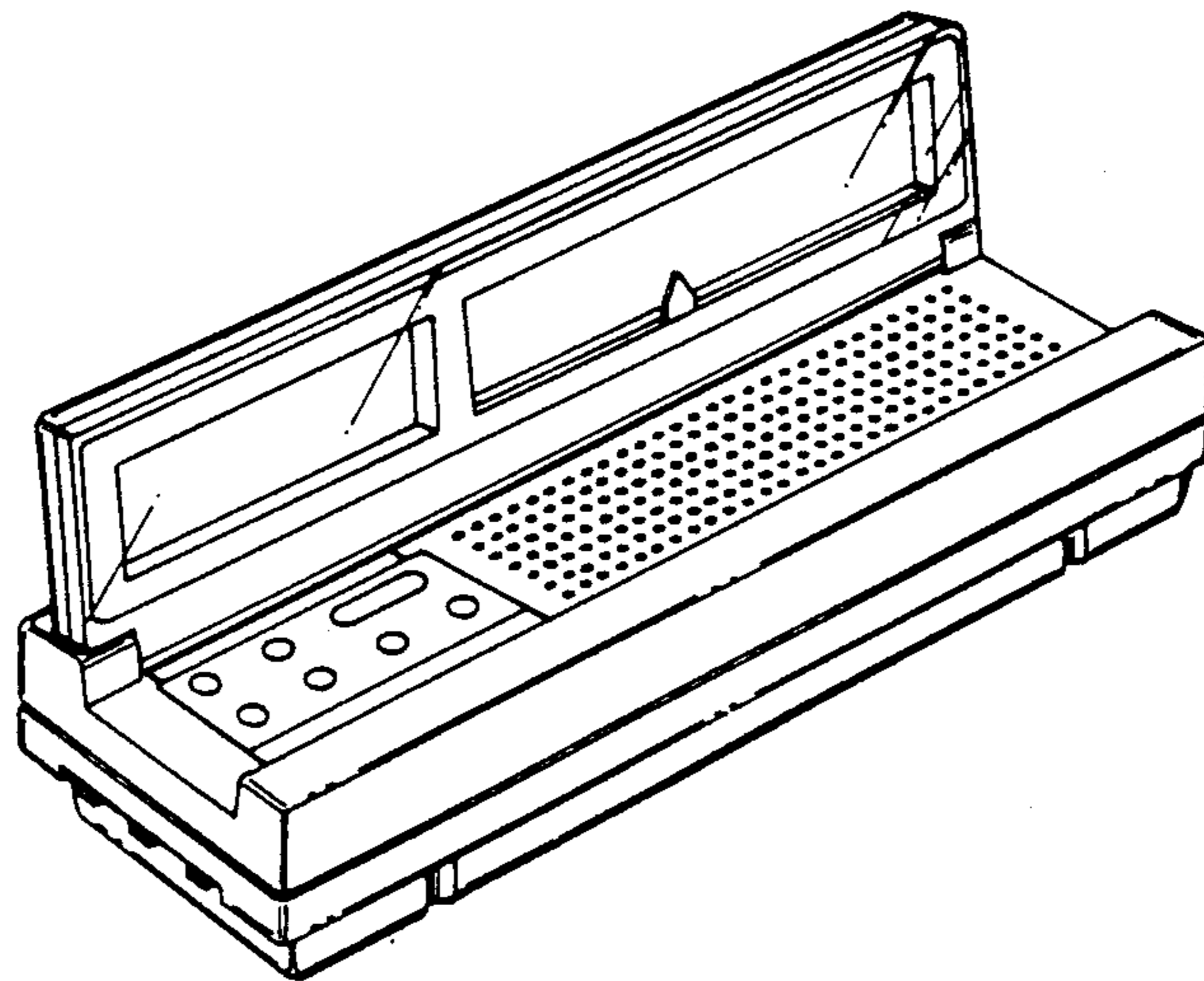
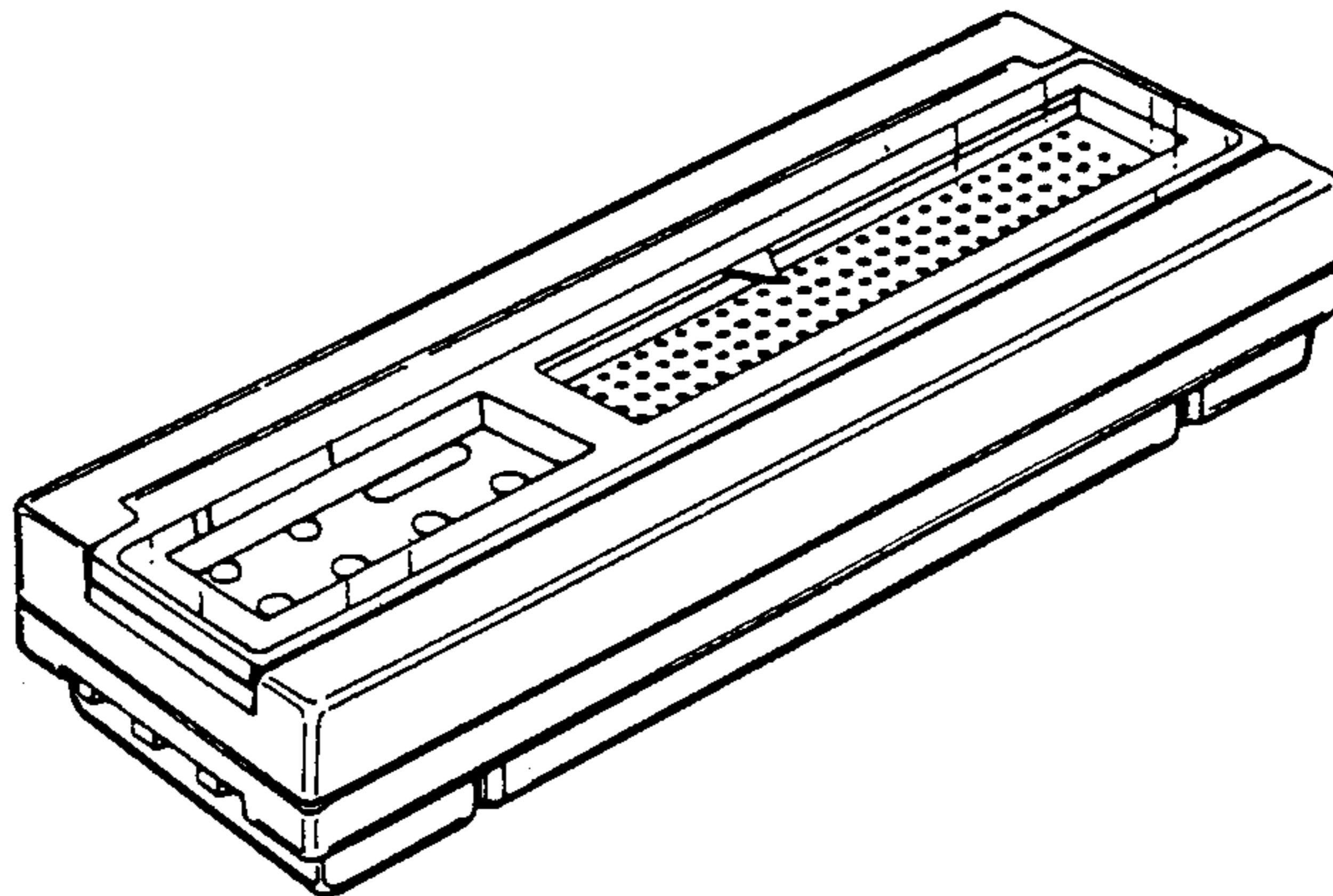
Primary Examiner—Theodore M. Shooman
Attorney, Agent, or Firm—Townsend and Townsend

[57] CLAIM

The ornamental design for the clock radio, as shown and described.

DESCRIPTION

FIG. 1 is a top, front and left side perspective view of a clock radio showing my new design;
 FIG. 2 is a top, front and left side perspective view thereof, shown with the cover in an open position;
 FIG. 3 is a top, rear and right side perspective view thereof;
 FIG. 4 is a top, rear and right side perspective view thereof, shown with the cover in an open position;
 FIG. 5 is a top plan view thereof;
 FIG. 6 is a bottom plan view thereof;
 FIG. 7 is a front elevational view thereof;
 FIG. 8 is a rear elevational view thereof;
 FIG. 9 is a left side elevational view thereof; and
 FIG. 10 is a right side elevational view thereof.



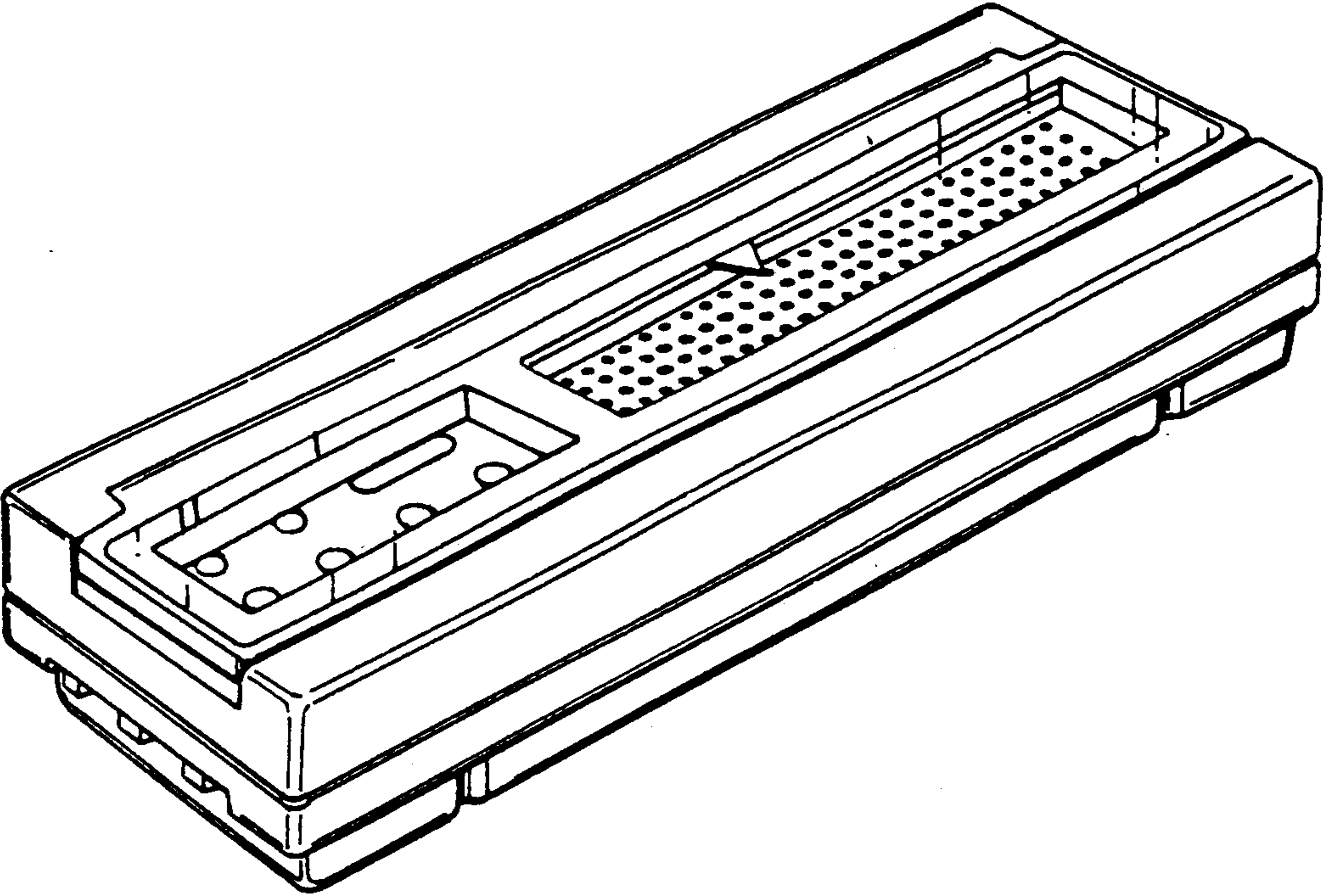


FIG. 1.

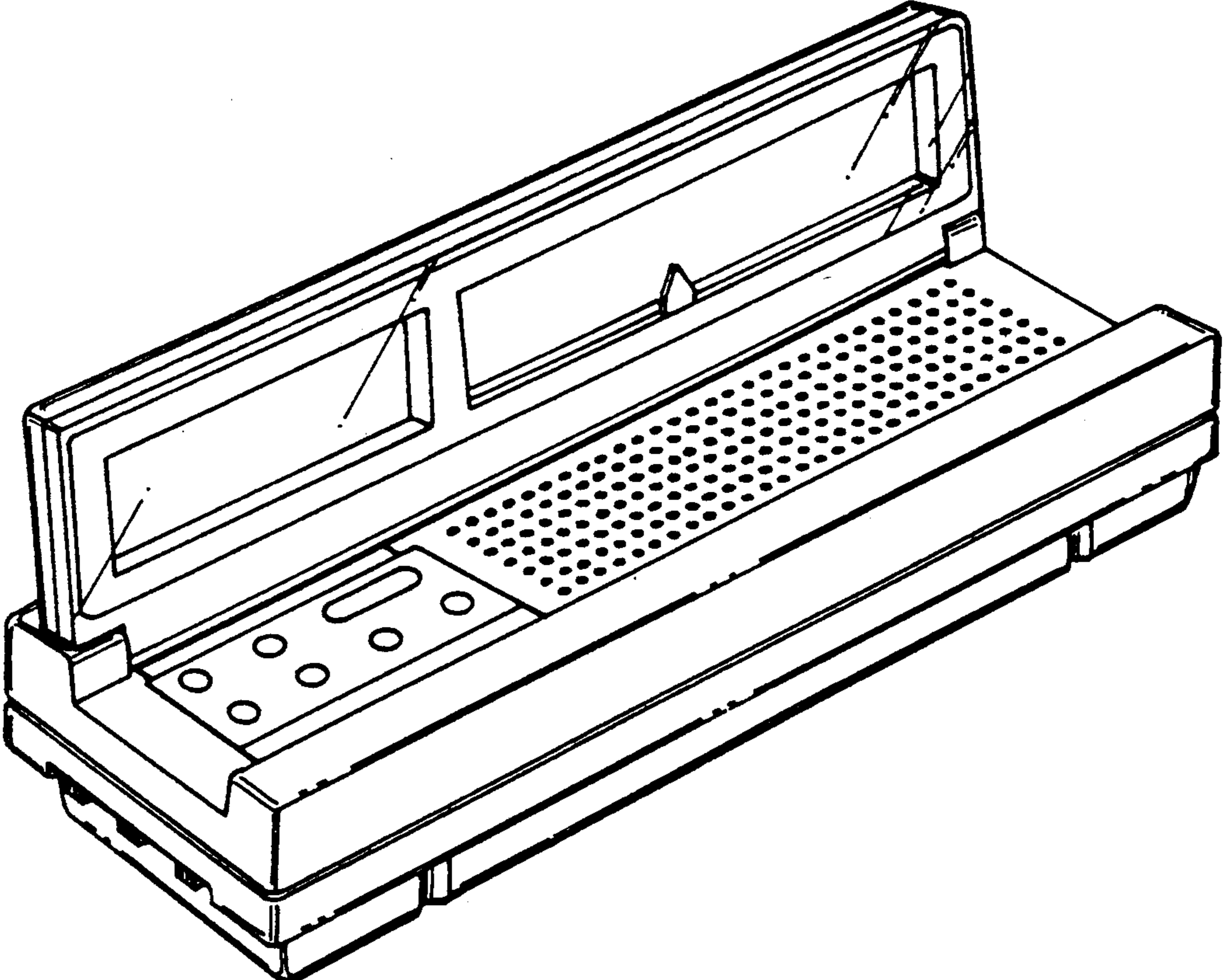


FIG. 2.

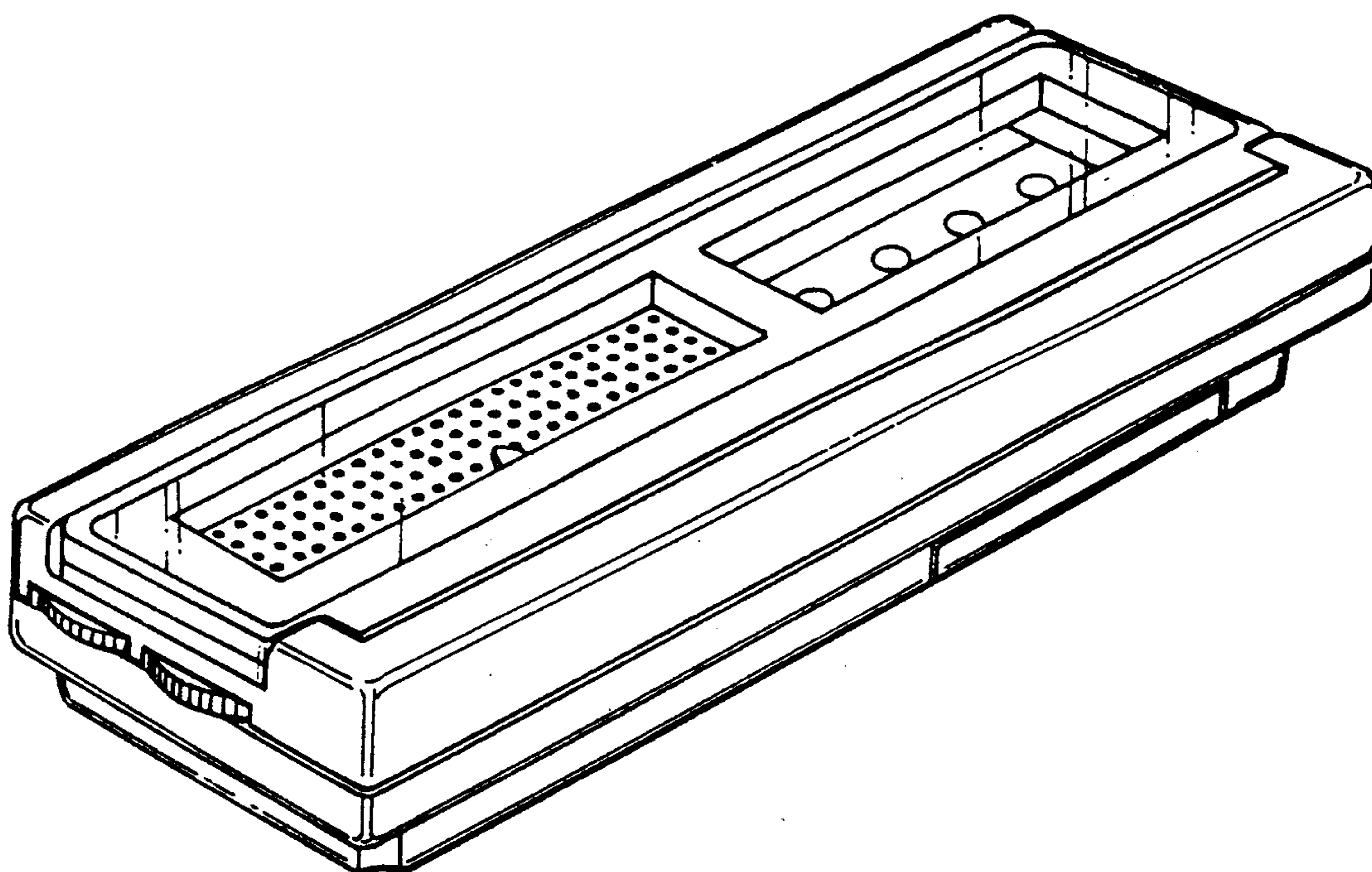


FIG. 3.

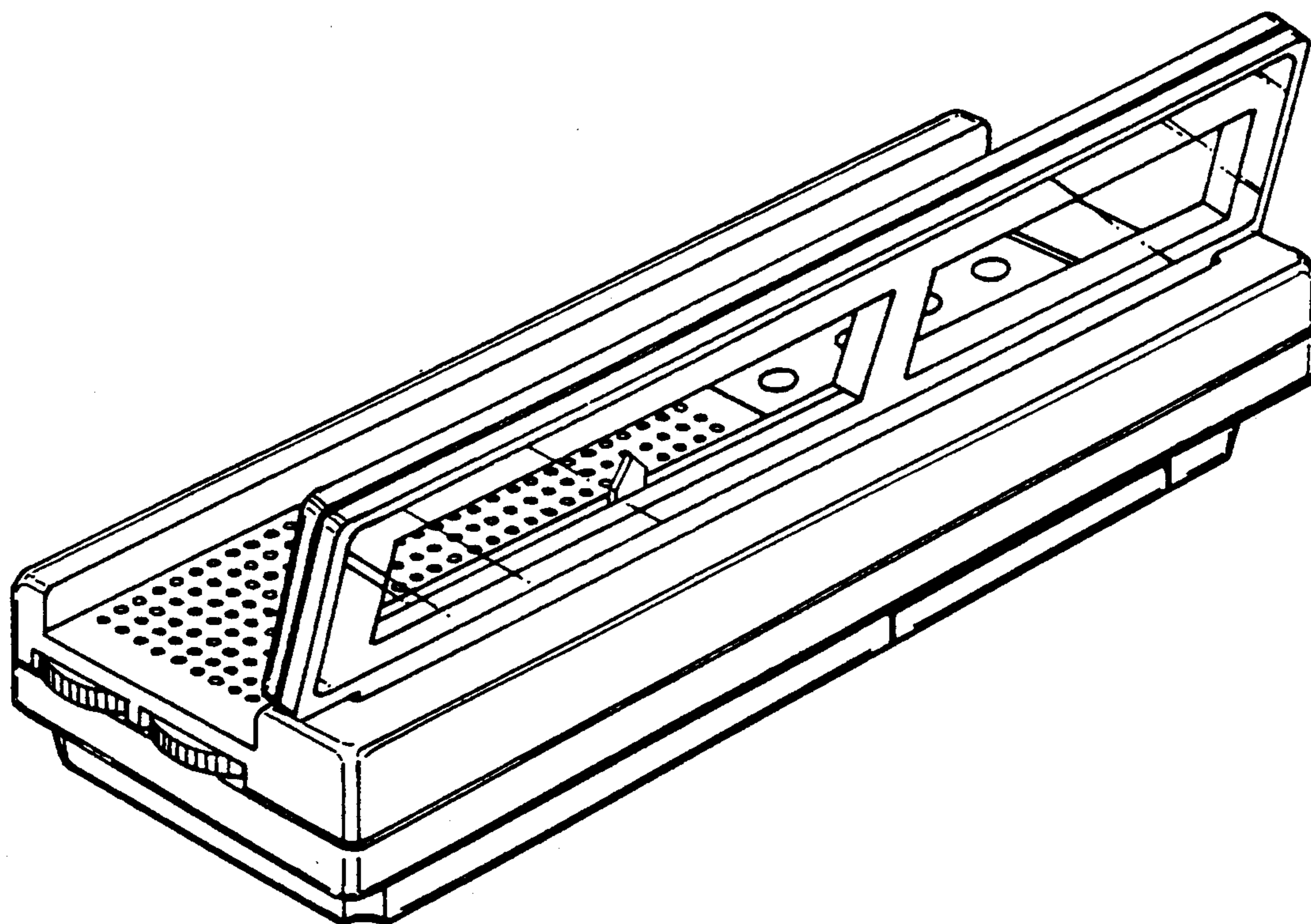


FIG. 4.

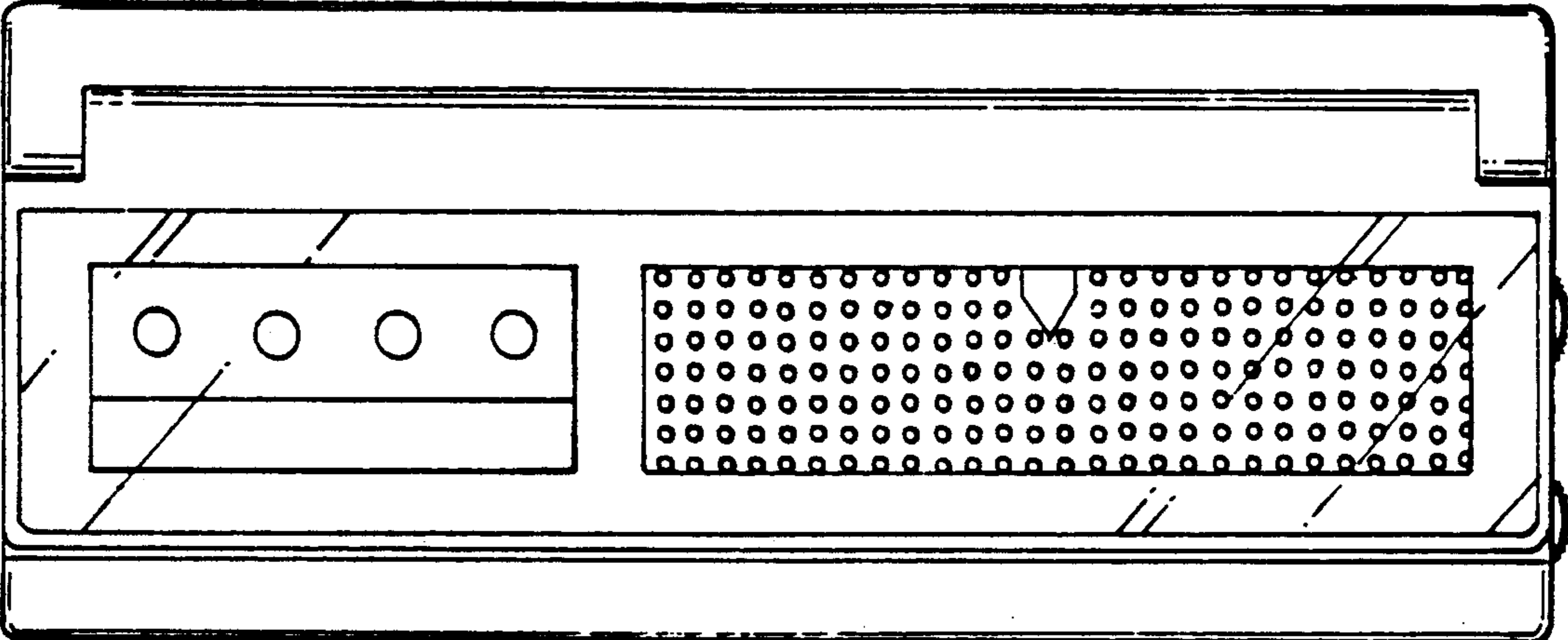


FIG. 5.

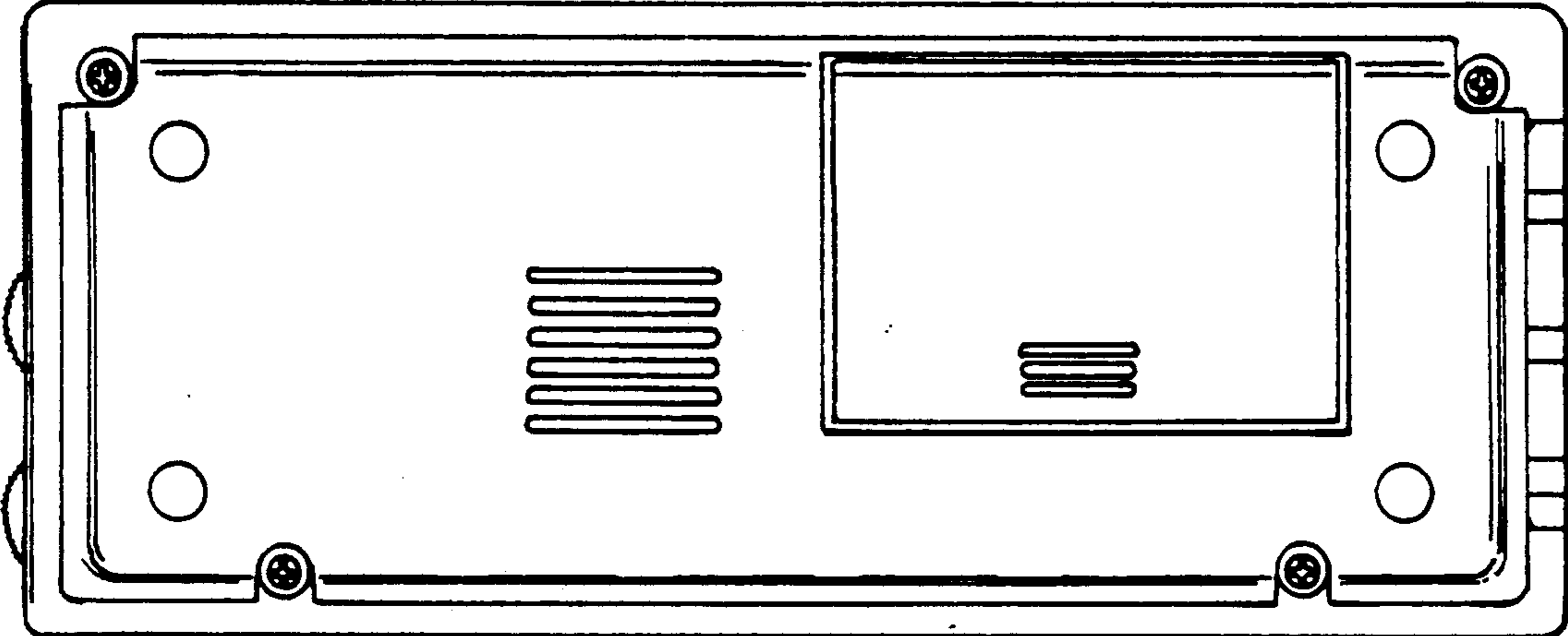


FIG. 6.

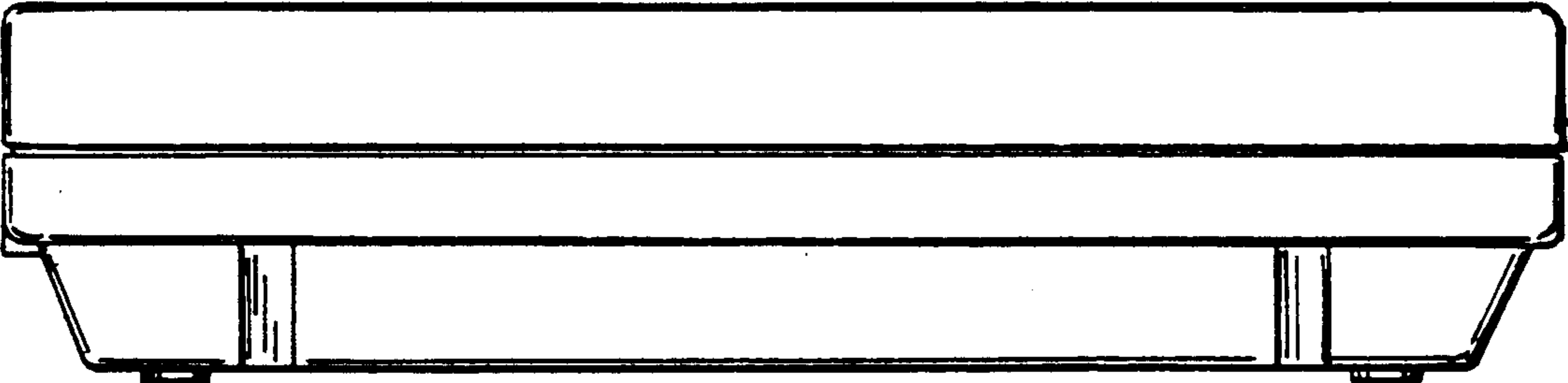


FIG. 7.

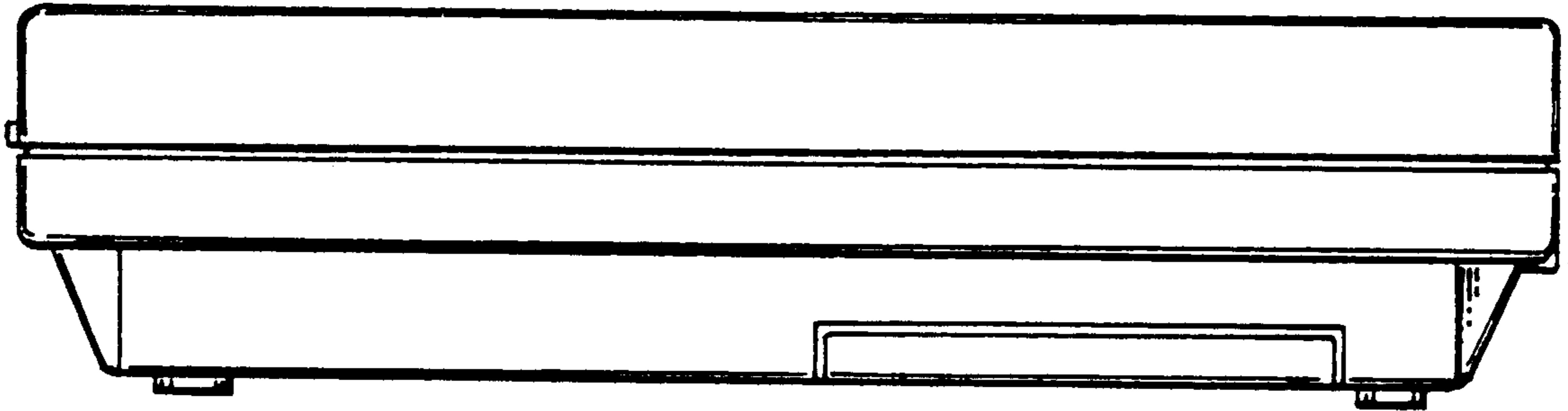


FIG. 8.

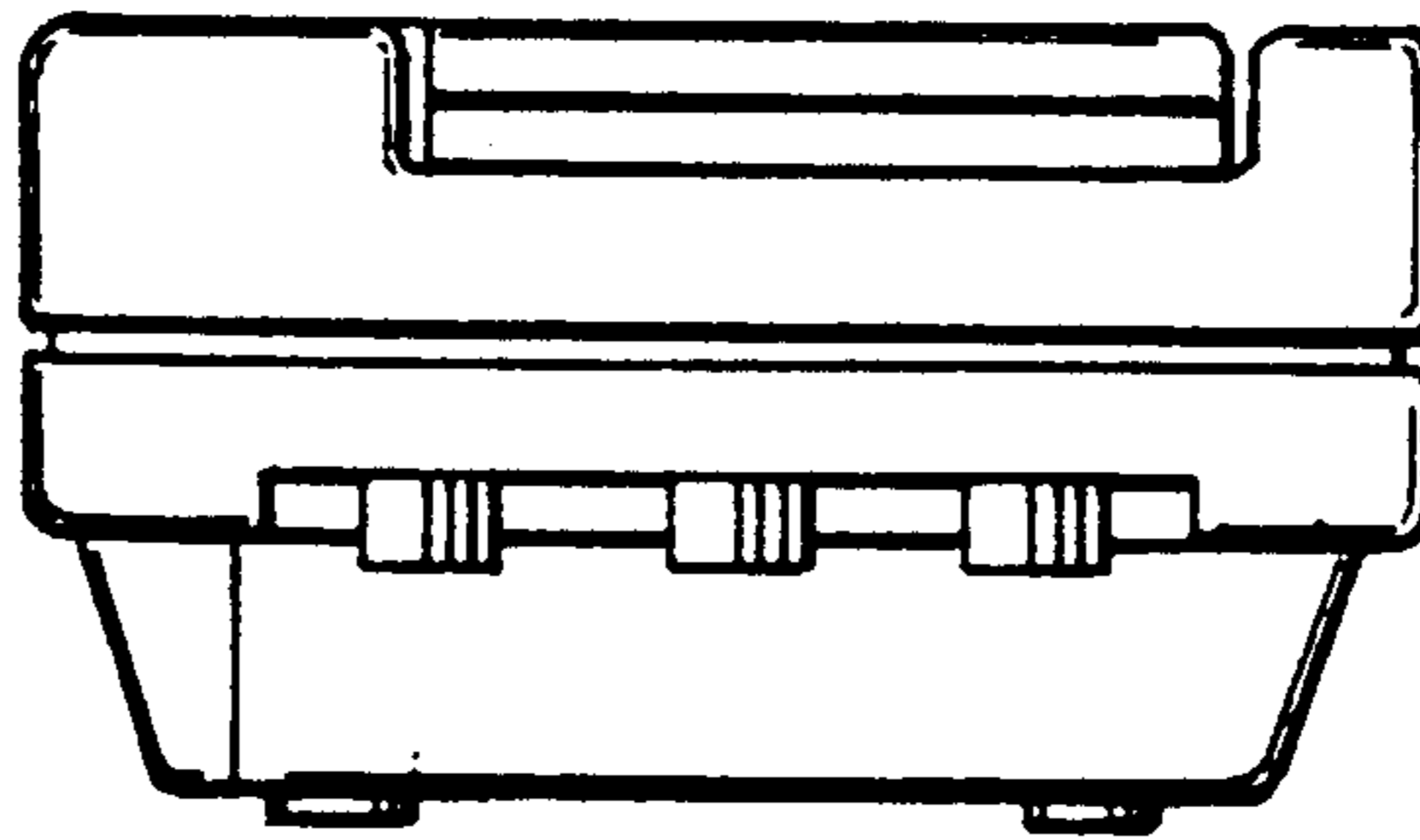


FIG. 9.

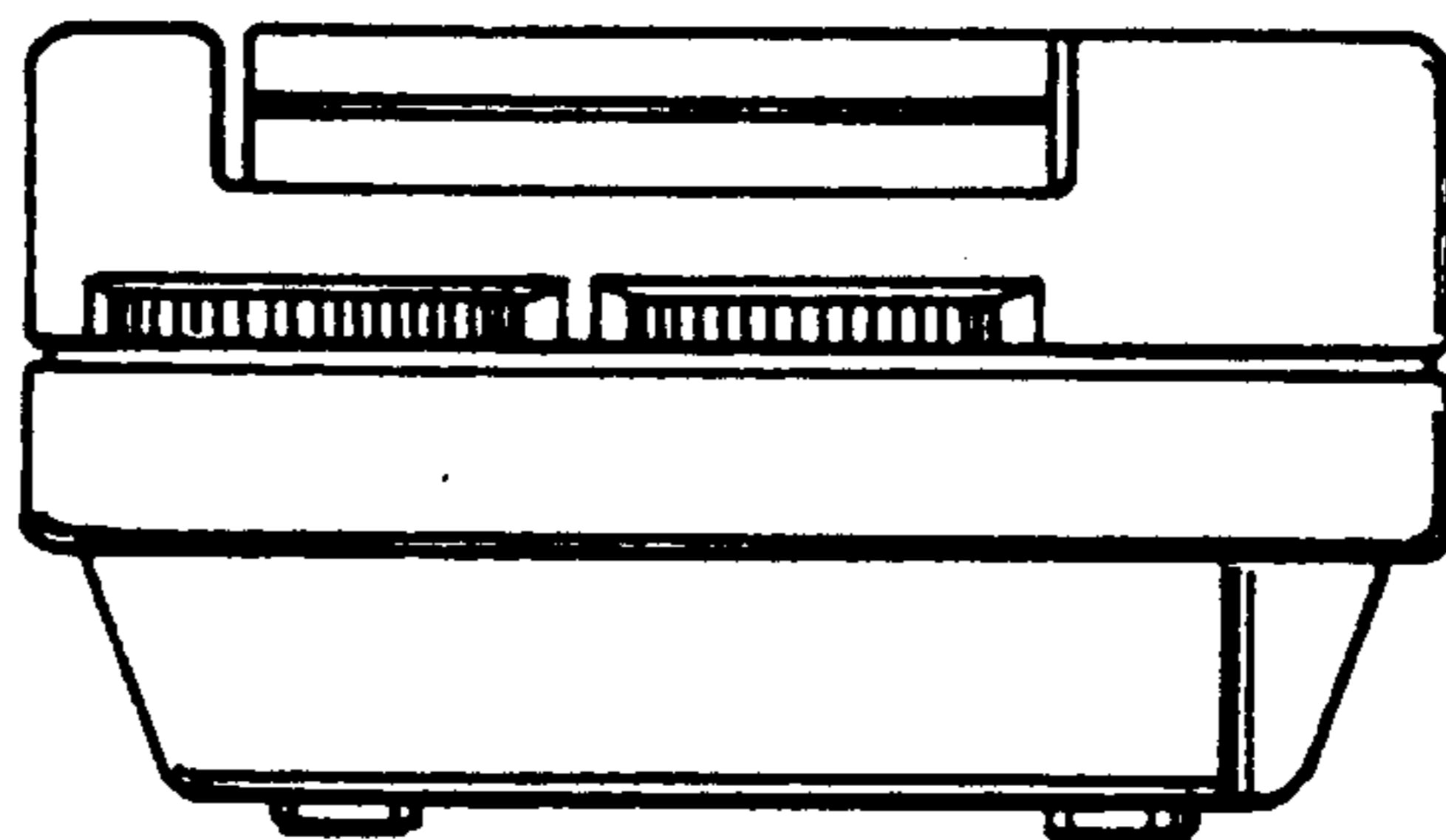


FIG. 10.