

- [54] **CLOCK RADIO**
- [75] **Inventor: Kenji Shimasaki, Hong Kong, Hong Kong**
- [73] **Assignee: Eric Beare Associates Limited, Hong Kong**
- [\*\*] **Term: 14 Years**
- [21] **Appl. No.: 278,940**
- [22] **Filed: Dec. 2, 1988**
- [52] **U.S. Cl. .... D14/171; D10/2; D14/188**
- [58] **Field of Search .... D14/168, 170-171, D14/188-198; 455/344-347, 350-351; 312/7.1; D10/2, 15**

[56] **References Cited**  
**U.S. PATENT DOCUMENTS**

- D. 247,493 3/1978 Kushida et al. .... D14/194  
D. 250,763 1/1979 Boldt et al. .... D14/171  
D. 261,650 11/1981 van de Ven .... D10/2 X  
D. 264,716 6/1982 Nakajima et al. .... D14/171

- D. 264,718 6/1982 Hoshino ..... D14/171  
D. 266,166 9/1982 Hamada et al. .... D14/171

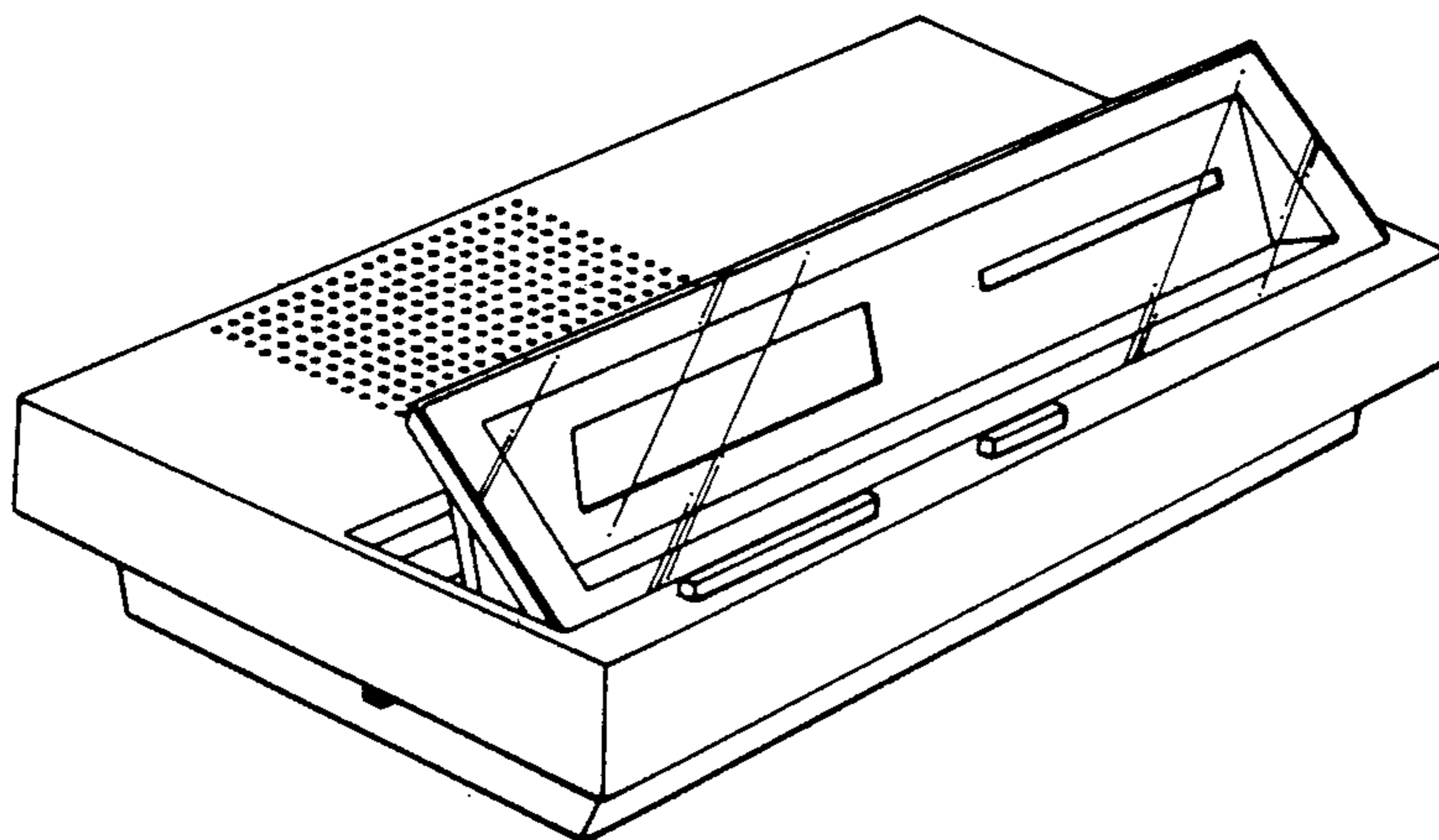
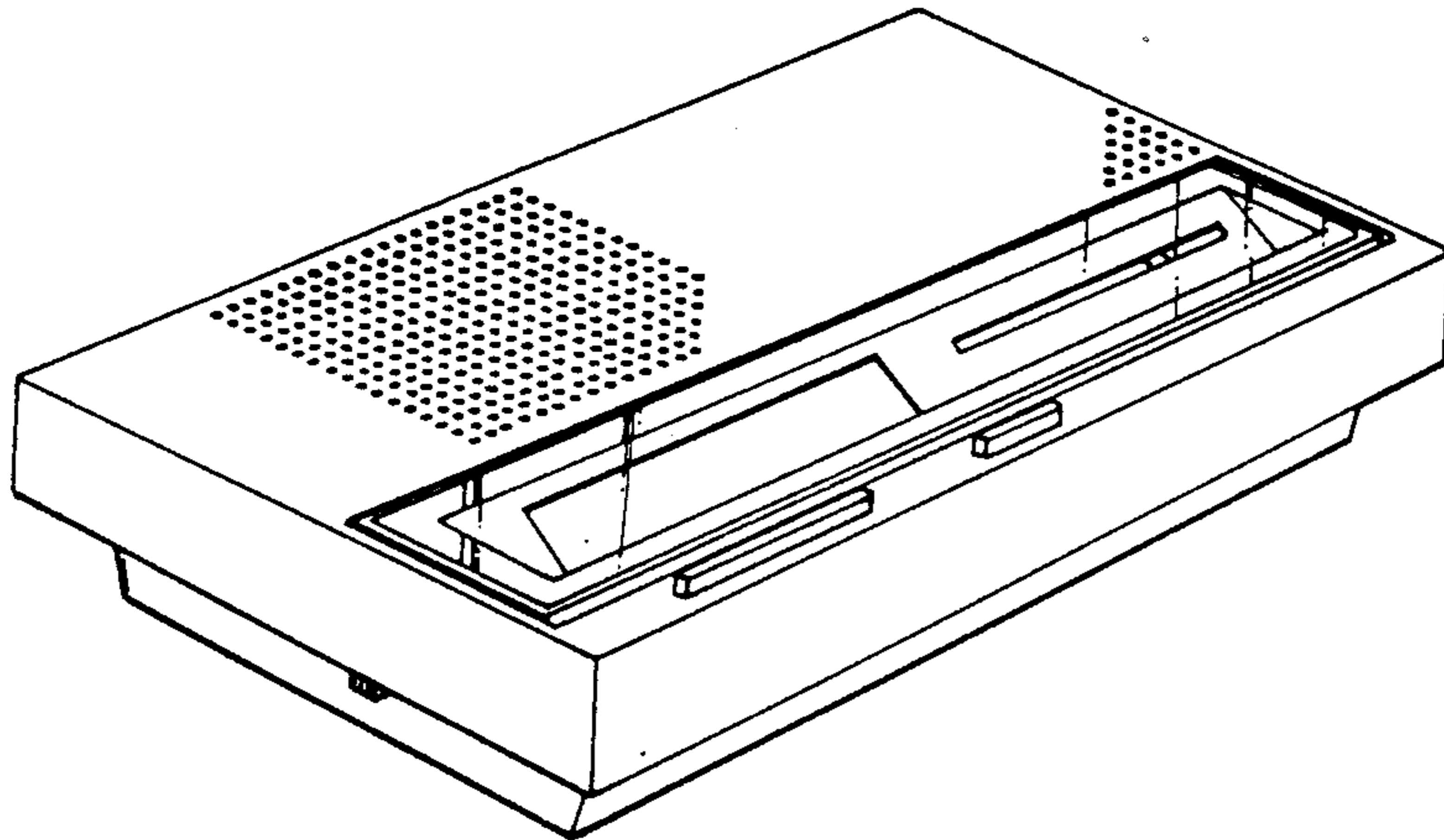
*Primary Examiner*—Theodore M. Shooman  
*Attorney, Agent, or Firm*—Townsend and Townsend

[57] **CLAIM**

The ornamental design for a clock radio, as shown and described.

**DESCRIPTION**

FIG. 1 is a top, front and left side perspective view of a clock radio showing my new design;  
FIG. 2 is a top, front and left side perspective view thereof, shown with the cover in an open position;  
FIG. 3 is a top, rear and right side perspective view thereof;  
FIG. 4 is a top, rear and right side perspective view thereof, shown with the cover in an open position;  
FIG. 5 is a top plan view thereof;  
FIG. 6 is a left side elevational view thereof;  
FIG. 7 is a bottom plan view thereof;  
FIG. 8 is a right side elevational view thereof;  
FIG. 9 is a rear elevational view thereof; and  
FIG. 10 is a front elevational view thereof.



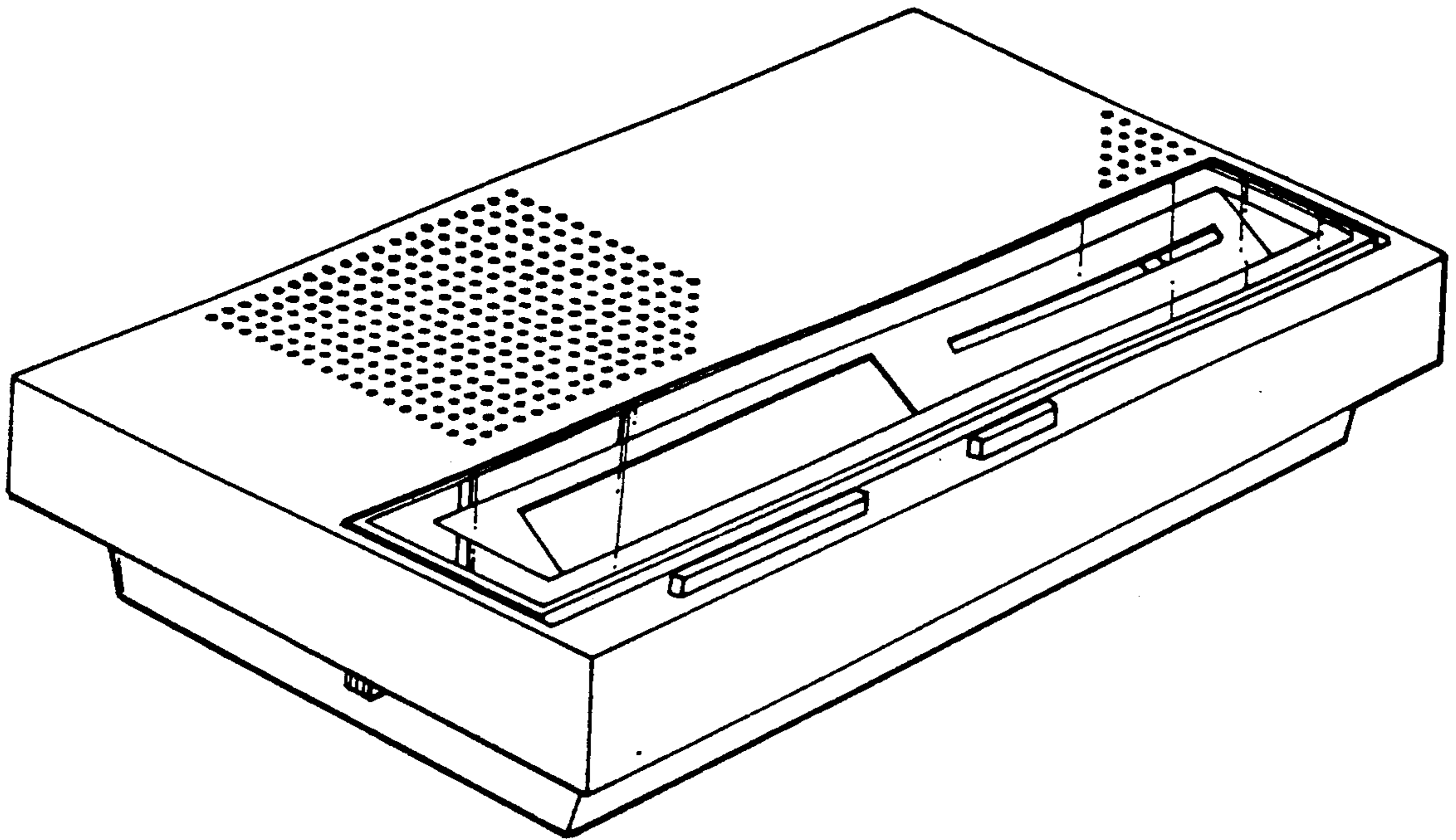


FIG. 1.

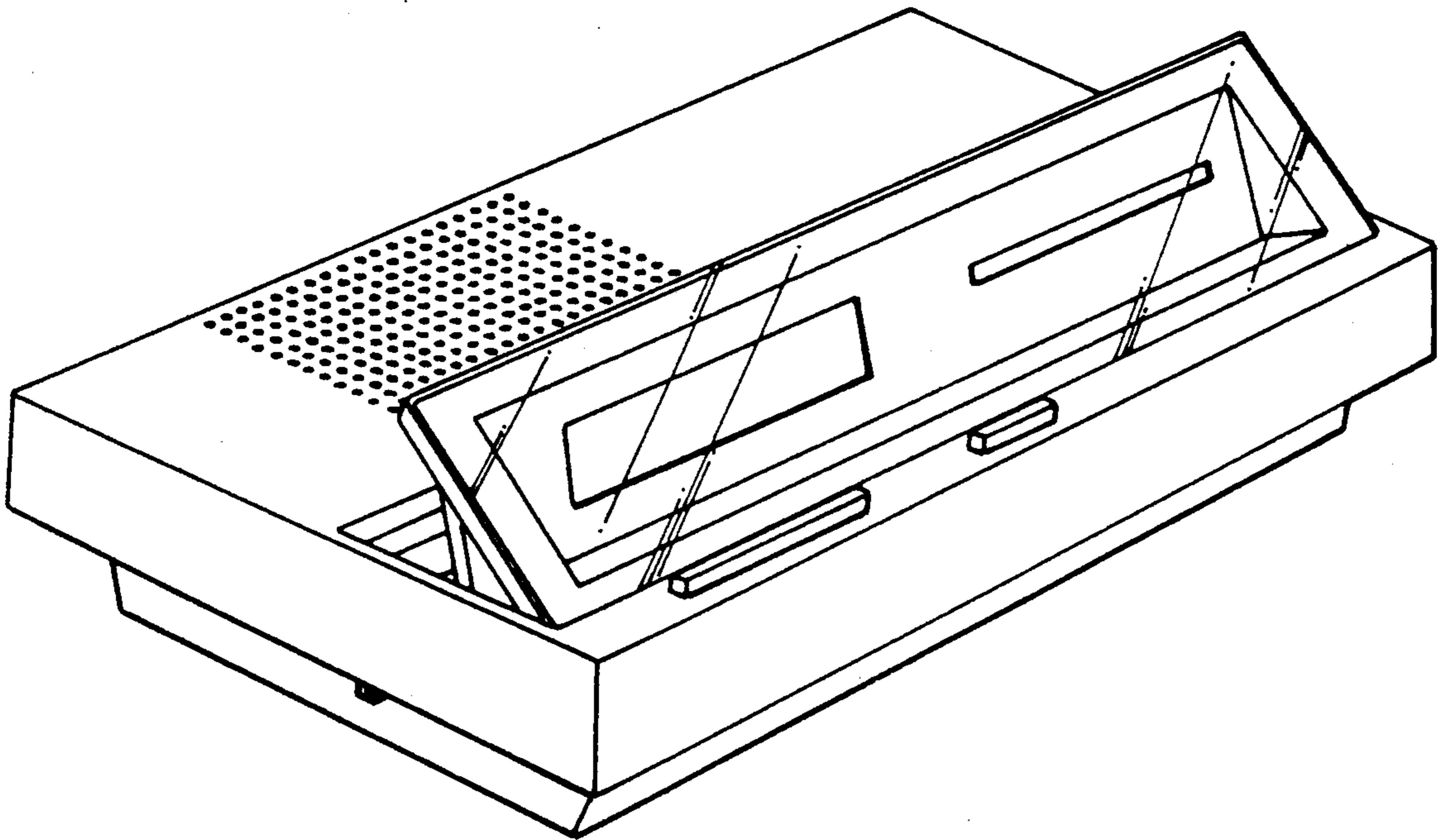


FIG. 2.

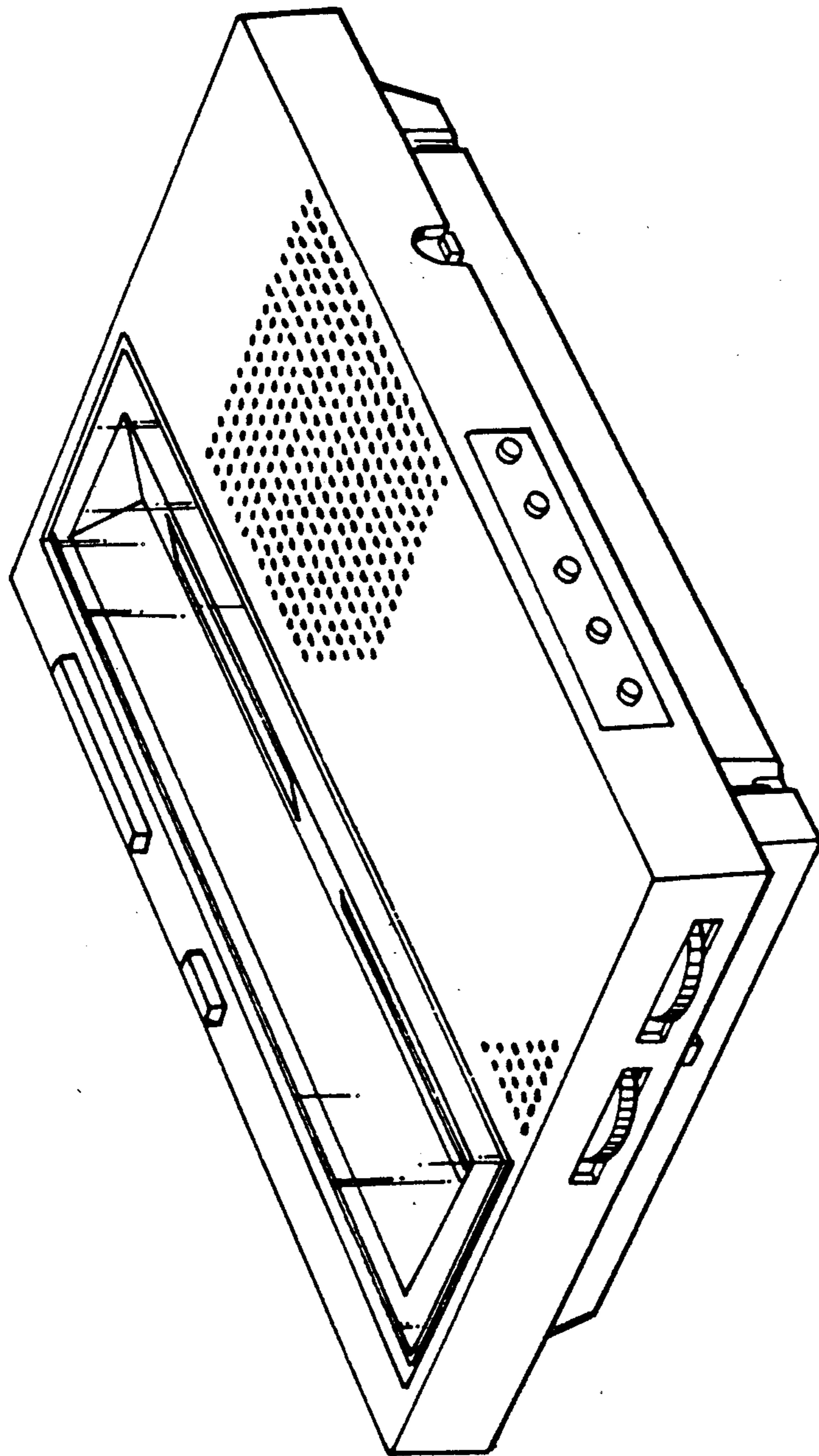


FIG. 3.

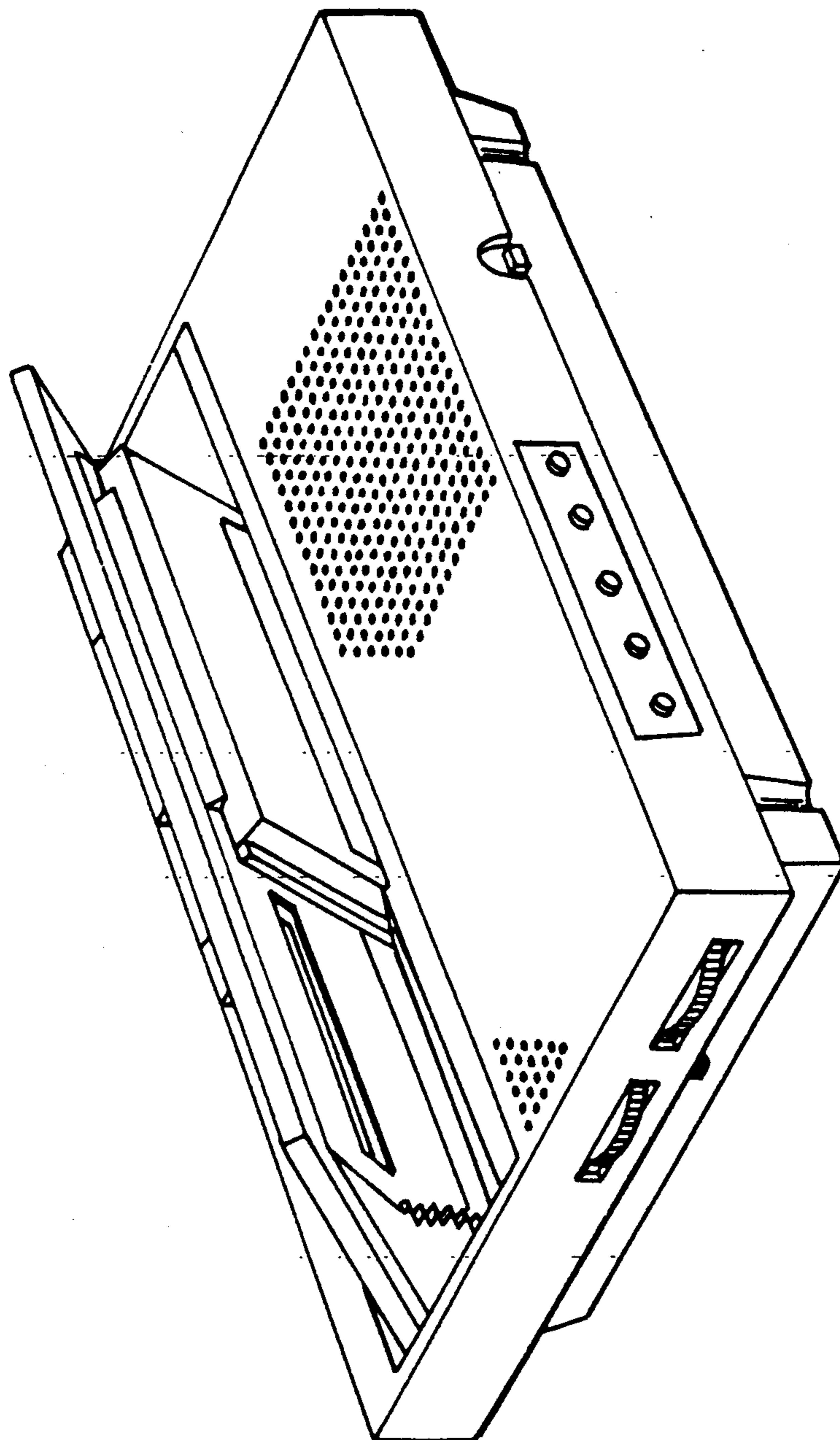


FIG. 4.

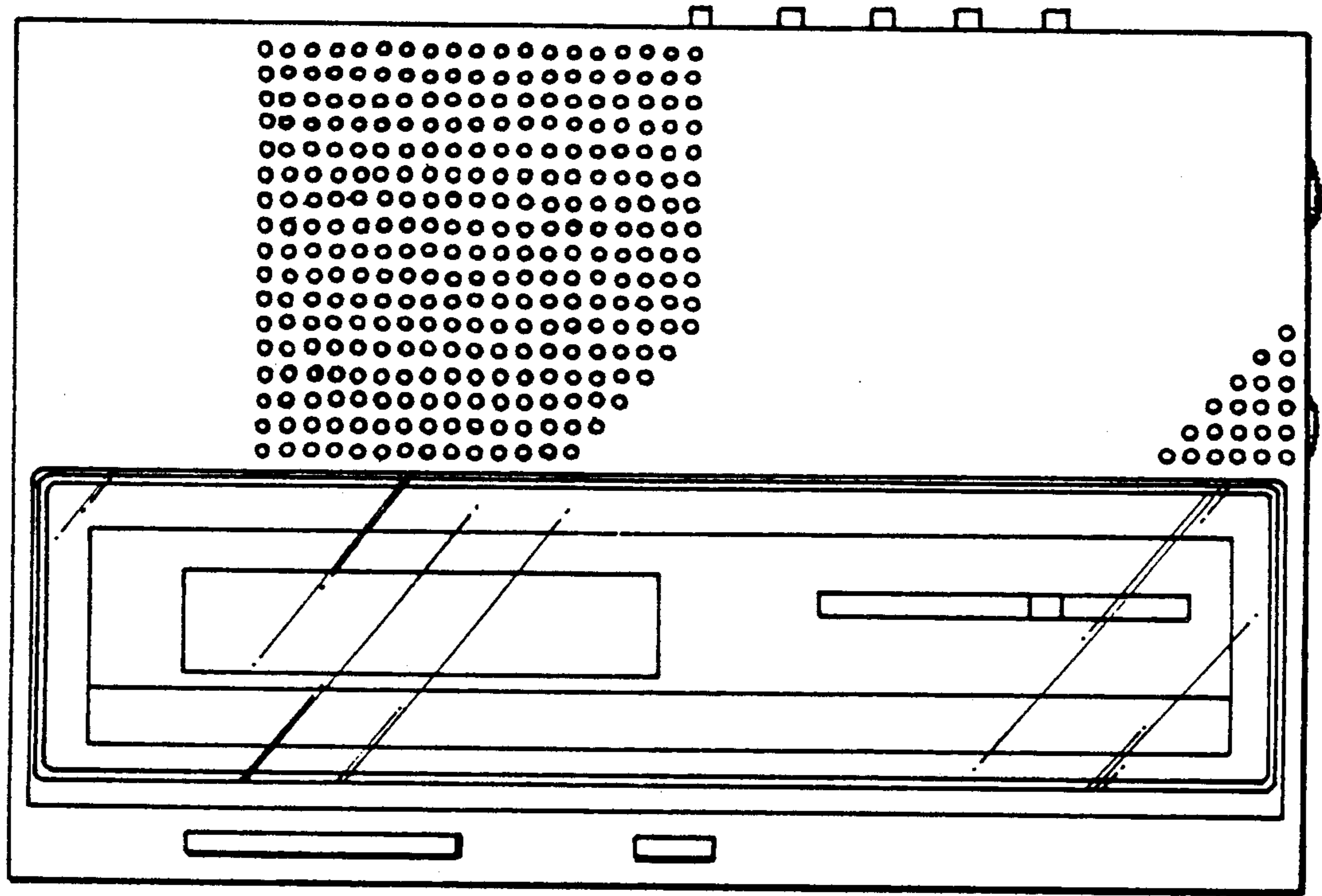


FIG. 5.

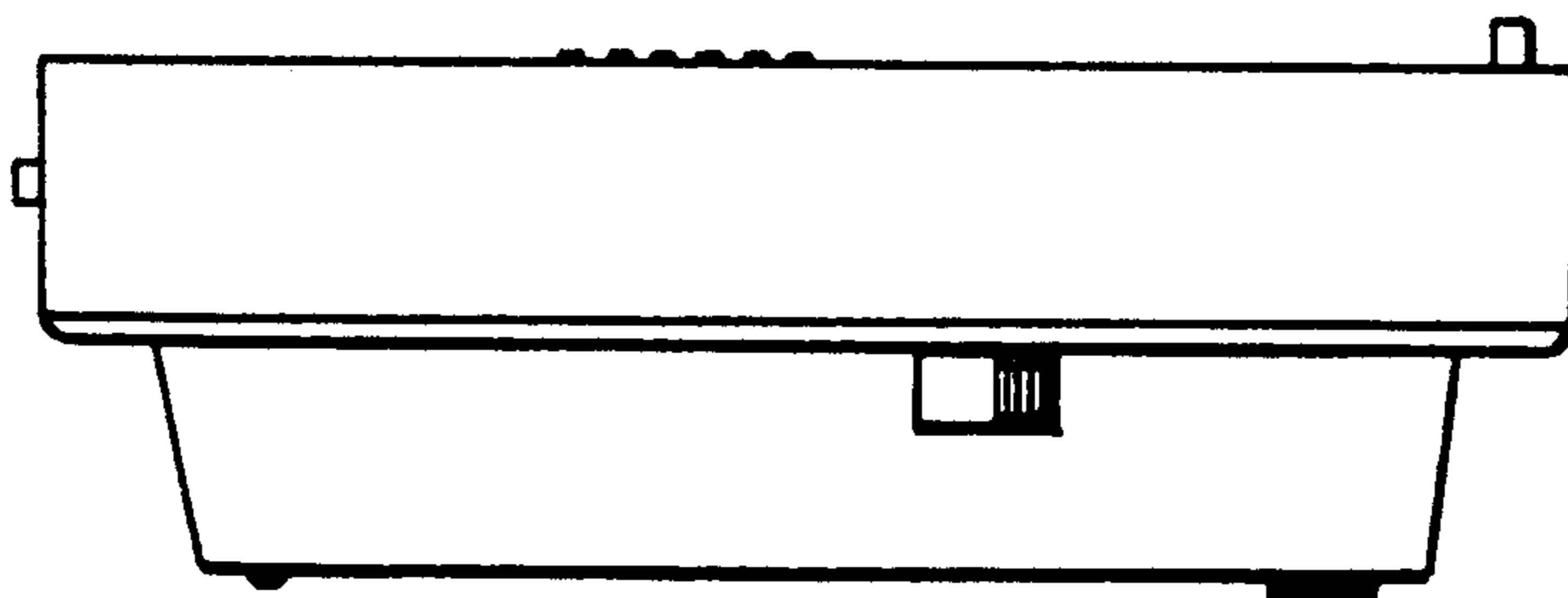


FIG. 6.

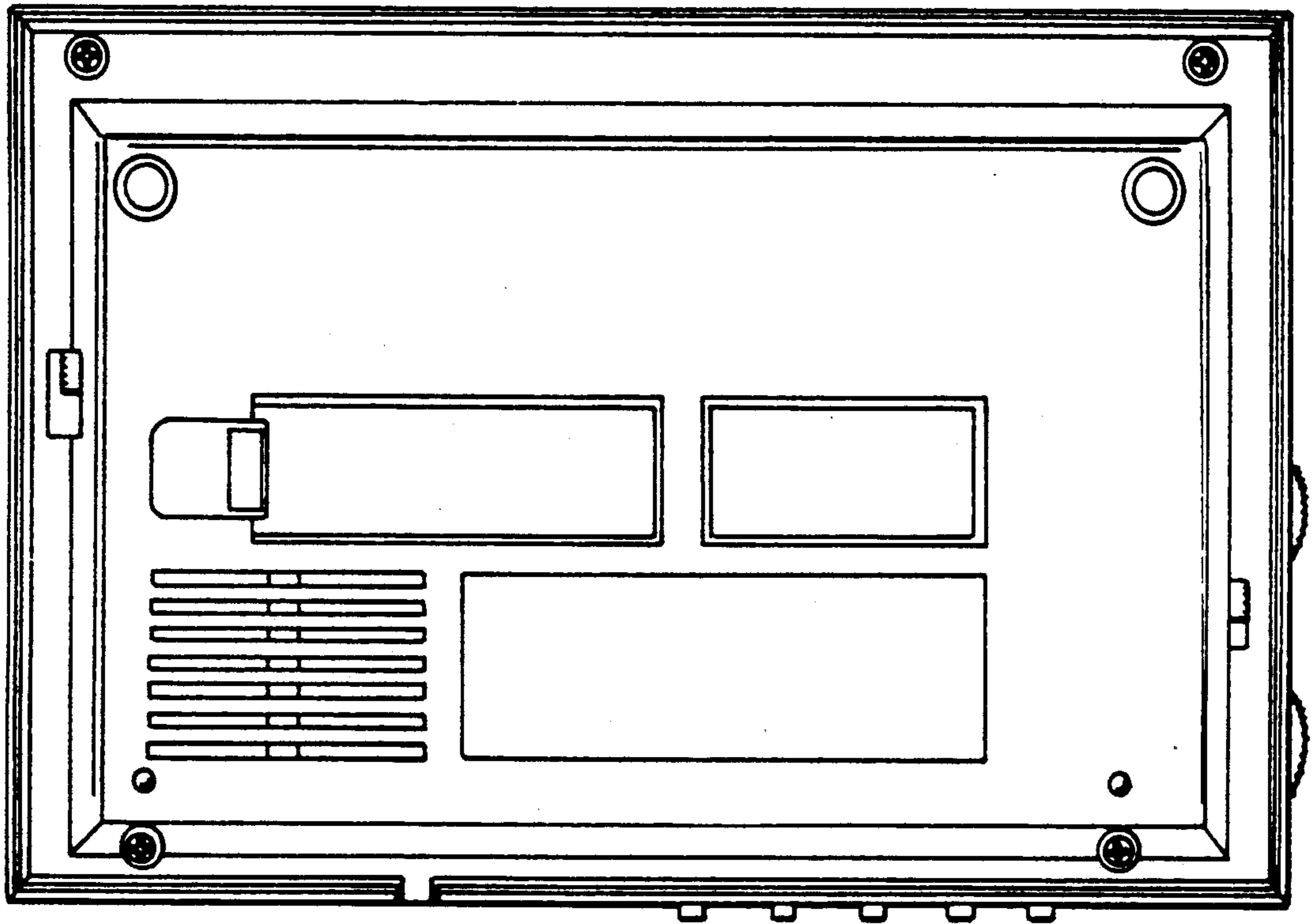


FIG. 7.

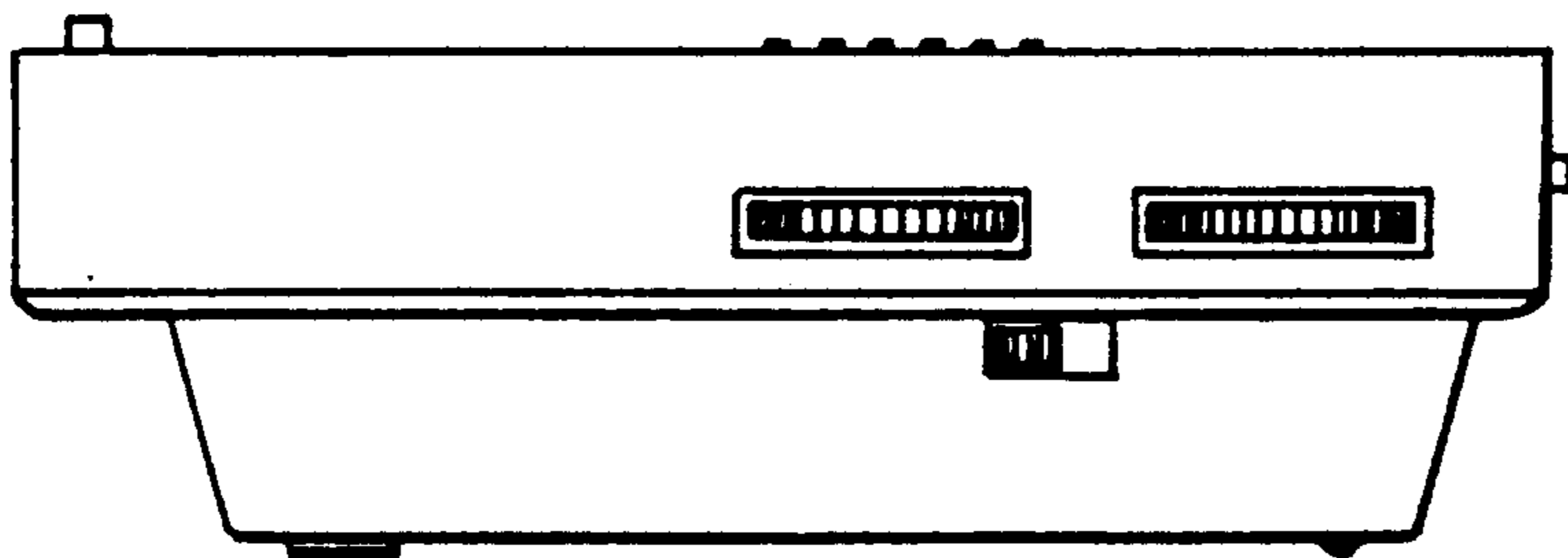


FIG. 8.

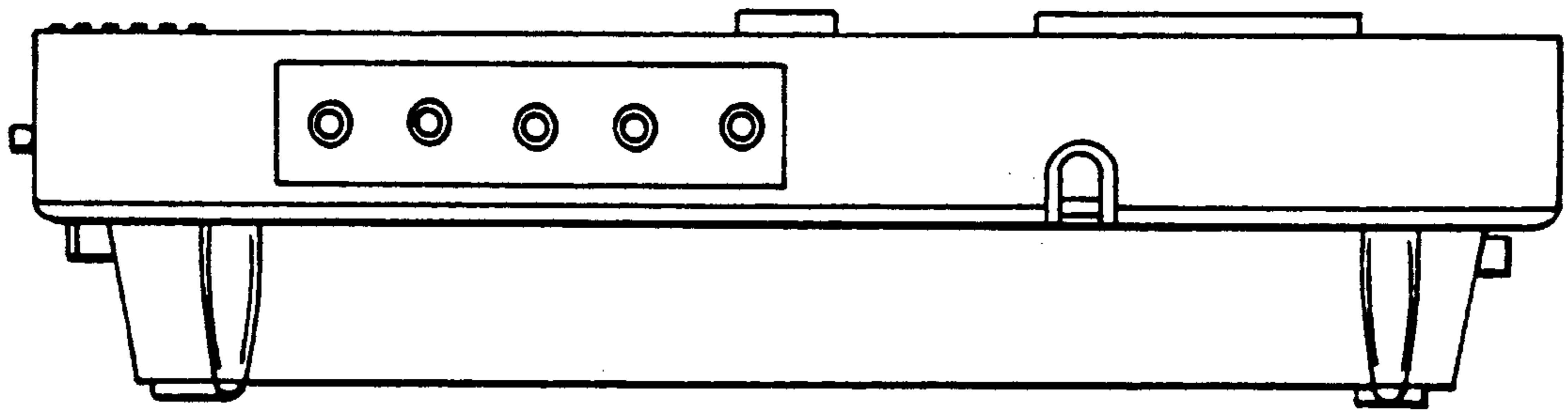


FIG. 9.

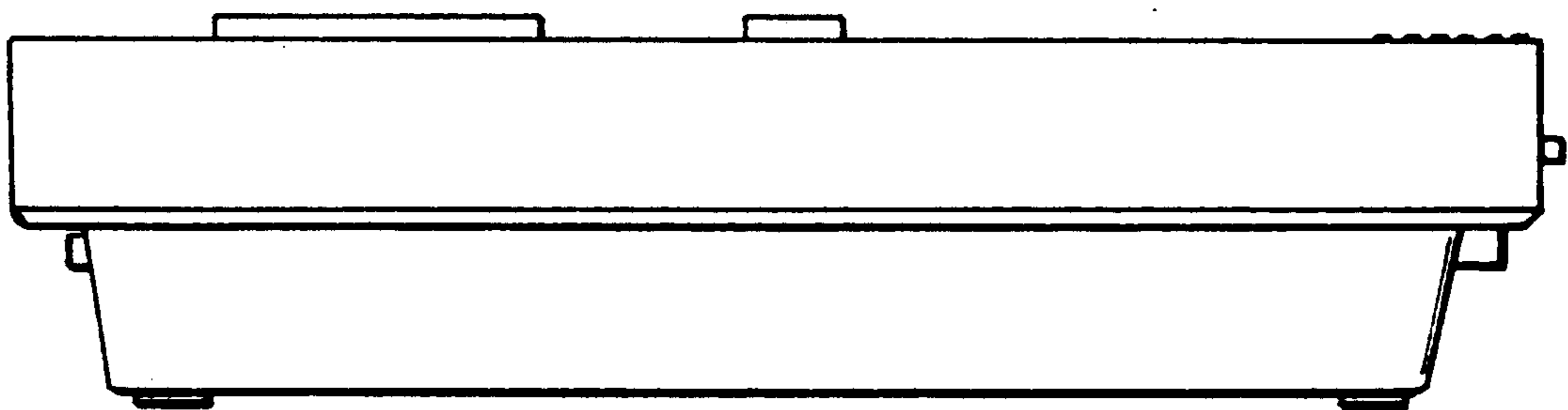


FIG. 10.