

[54] WIRELESS TELEPHONE

[75] Inventors: Masakazu Kanatani, Mitaka; Satoshi Masamitsu, Kawaguchi, both of Japan

[73] Assignee: Sony Corporation, Tokyo, Japan

[**] Term: 14 Years

[21] Appl. No.: 454,839

[22] Filed: Dec. 22, 1989

[30] Foreign Application Priority Data

Jun. 29, 1989 [JP] Japan 1-24094
 [52] U.S. Cl. D14/138; D14/147
 [58] Field of Search D14/147, 138, 148; 379/58, 59, 60, 440, 433-434, 428; 455/89, 90

[56] References Cited

U.S. PATENT DOCUMENTS

D. 234,605 3/1975 Larson D14/138
 D. 247,564 3/1978 Greene D14/147
 D. 270,635 9/1983 Bloem, Sr. D14/147
 D. 274,245 6/1984 Coons et al. D14/147
 D. 277,379 1/1985 Cooke et al. D14/147

D. 284,759 7/1986 Nagele et al. D14/138
 D. 295,627 5/1988 Nagele D14/138
 D. 300,218 3/1989 Skrypalle D14/138
 D. 302,154 7/1989 Ohta et al. D14/138
 D. 303,382 9/1989 Yoshihara D14/147 X
 D. 306,291 2/1990 Watanabe et al. D14/138

OTHER PUBLICATIONS

Sony Cordless Catalog, Jun. ©1986; Model Designation SPP-100.

Primary Examiner—Horace B. Fay, Jr.
 Attorney, Agent, or Firm—Lewis H. Eslinger

[57] CLAIM

The ornamental design for a wireless telephone, as shown and described.

DESCRIPTION

FIG. 1 is a top, front and right-side perspective view of a wireless telephone, showing our new design; FIG. 2 is a front elevational view thereof; FIG. 3 is a rear elevational view thereof; FIG. 4 is a left-side elevational view thereof; FIG. 5 is a right-side elevational view thereof; FIG. 6 is a top plan view thereof; and FIG. 7 is a bottom plan view thereof.

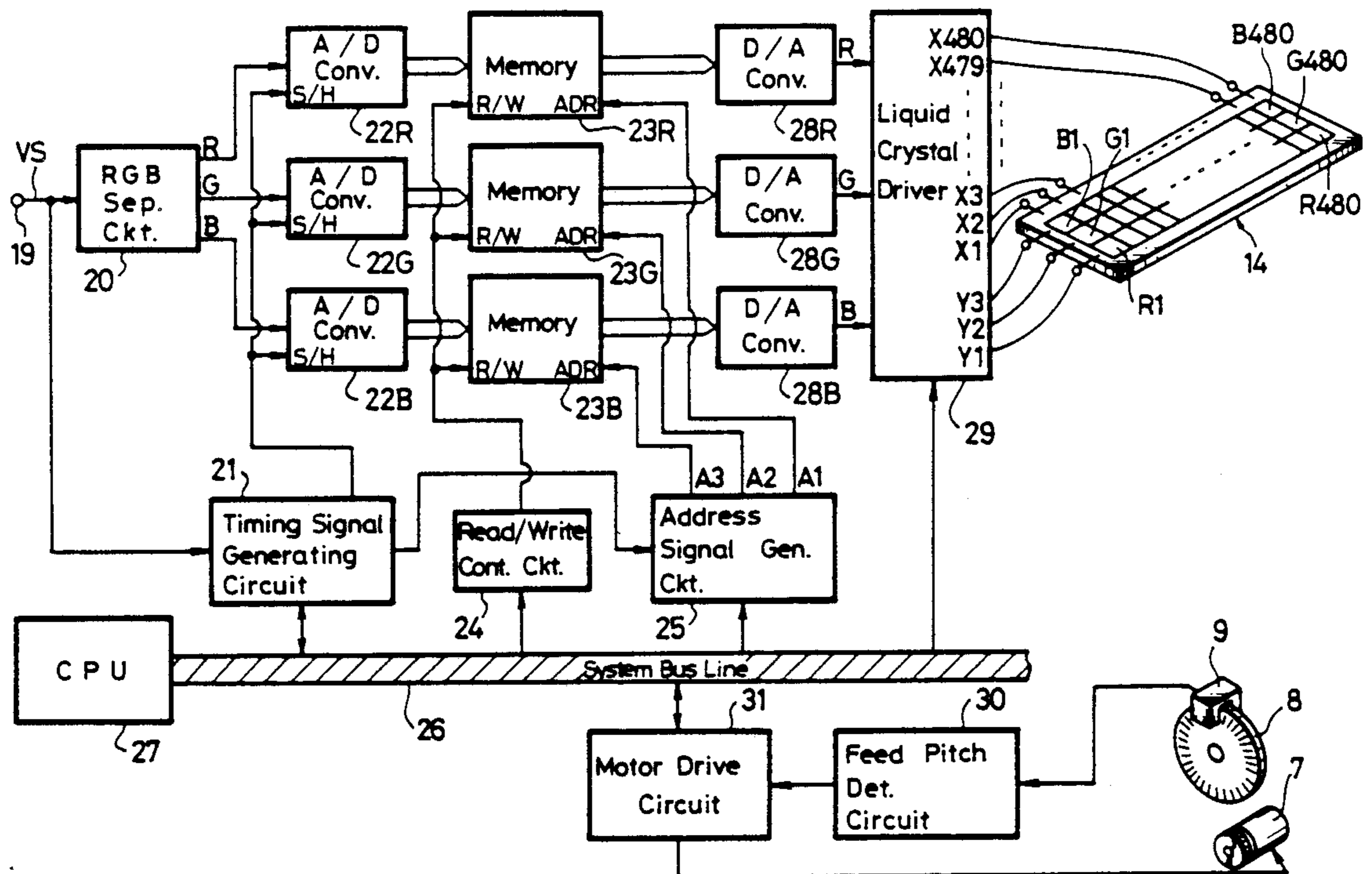


FIG. 1 (PRIOR ART)

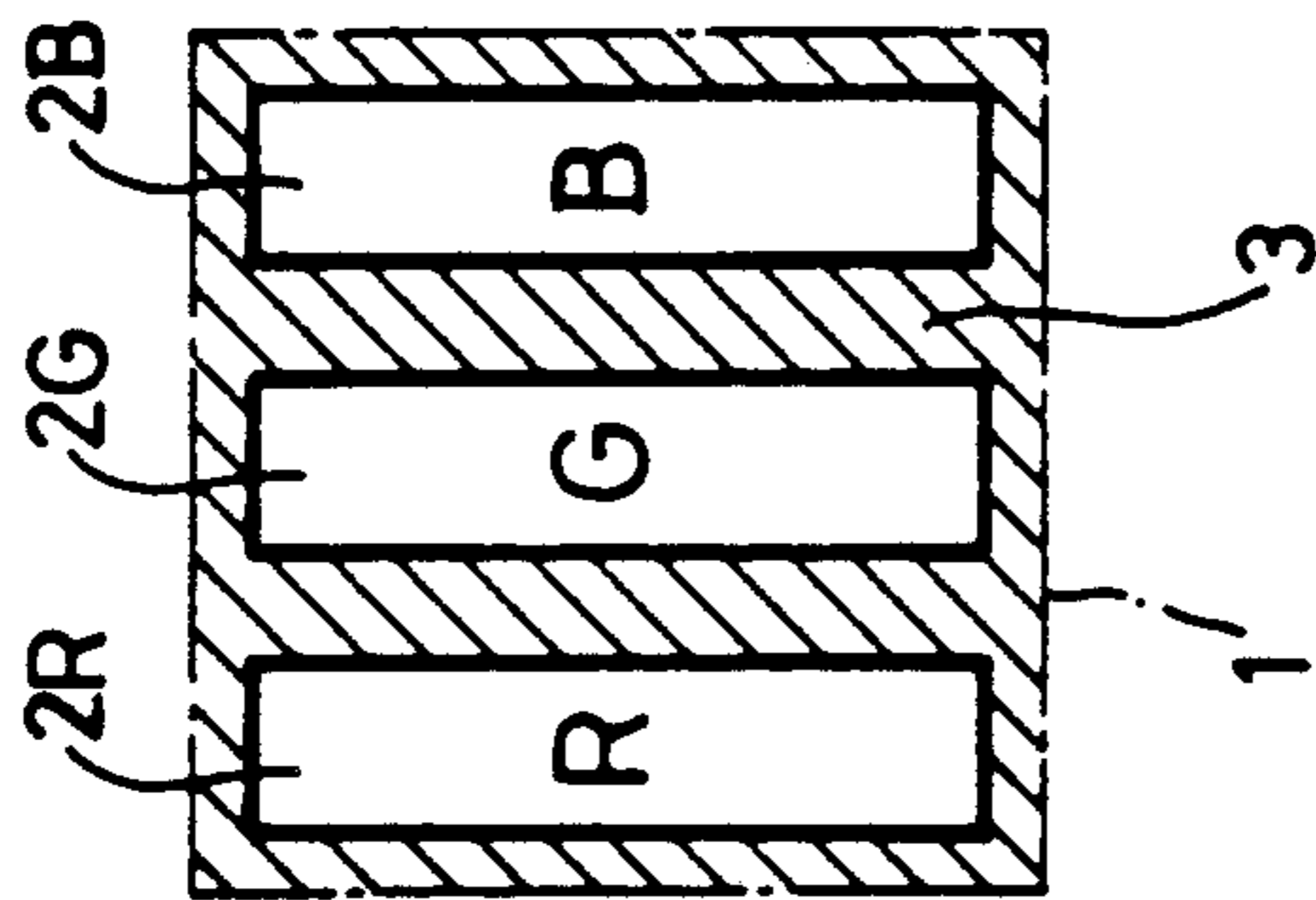


FIG. 2

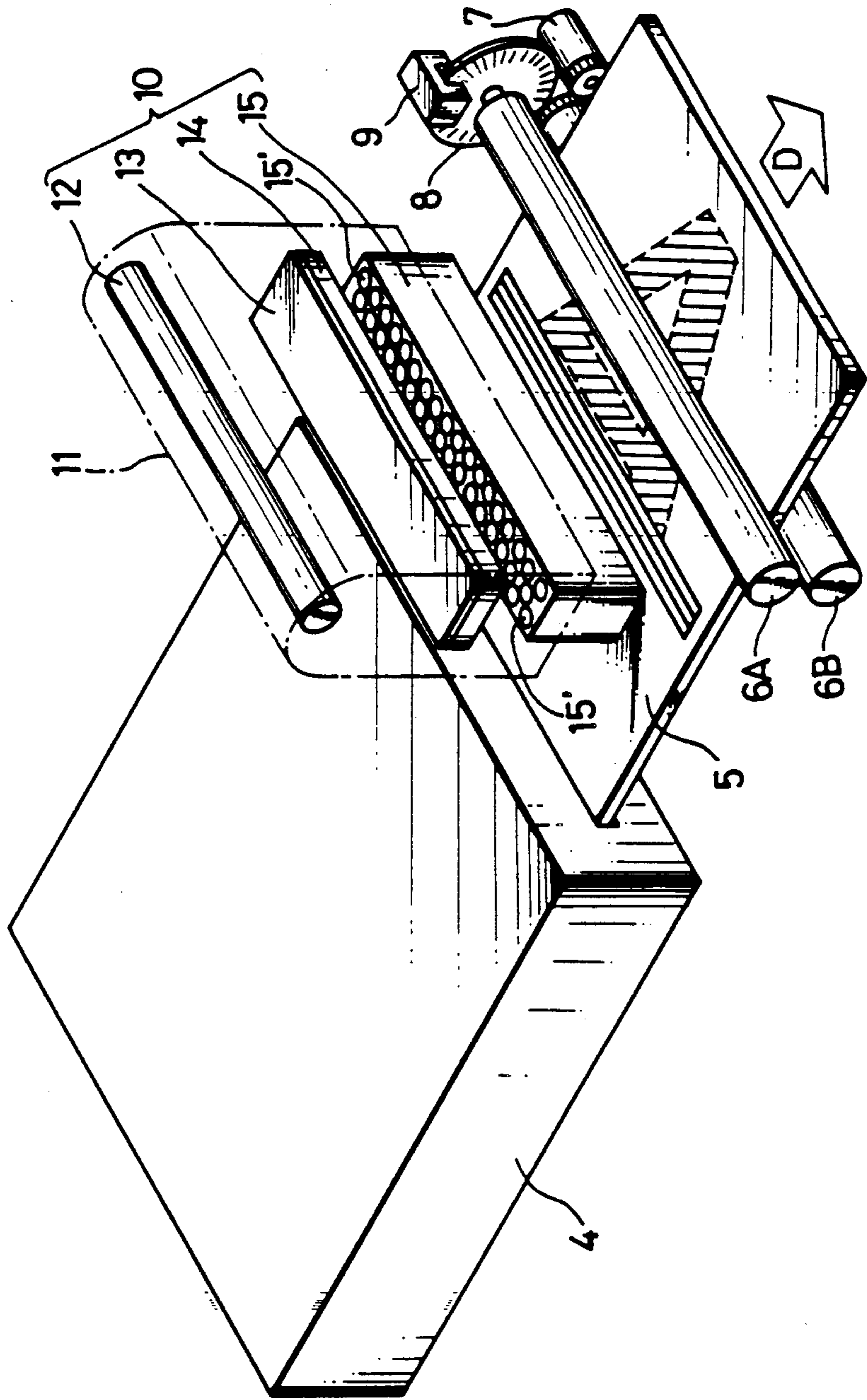
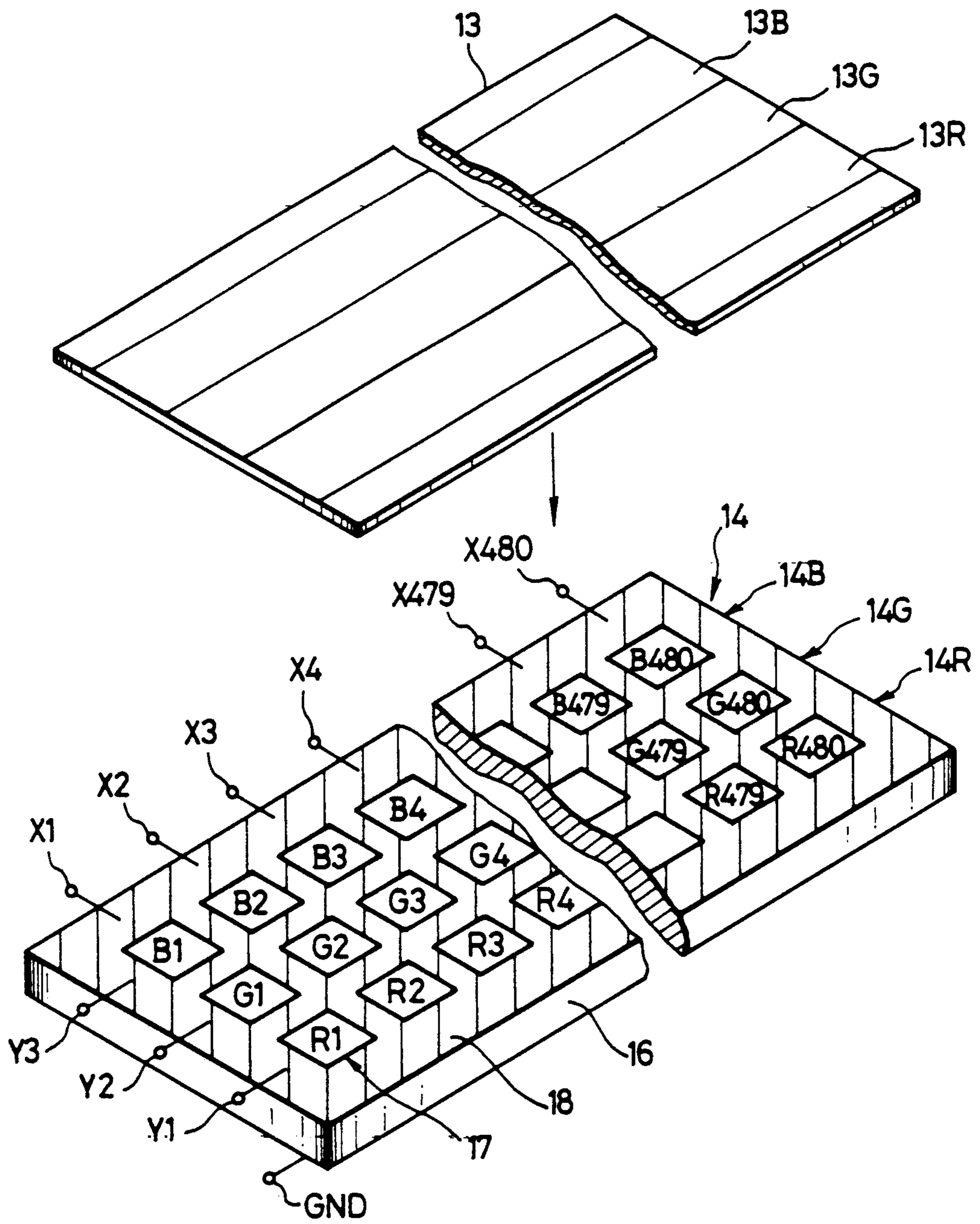


FIG. 3



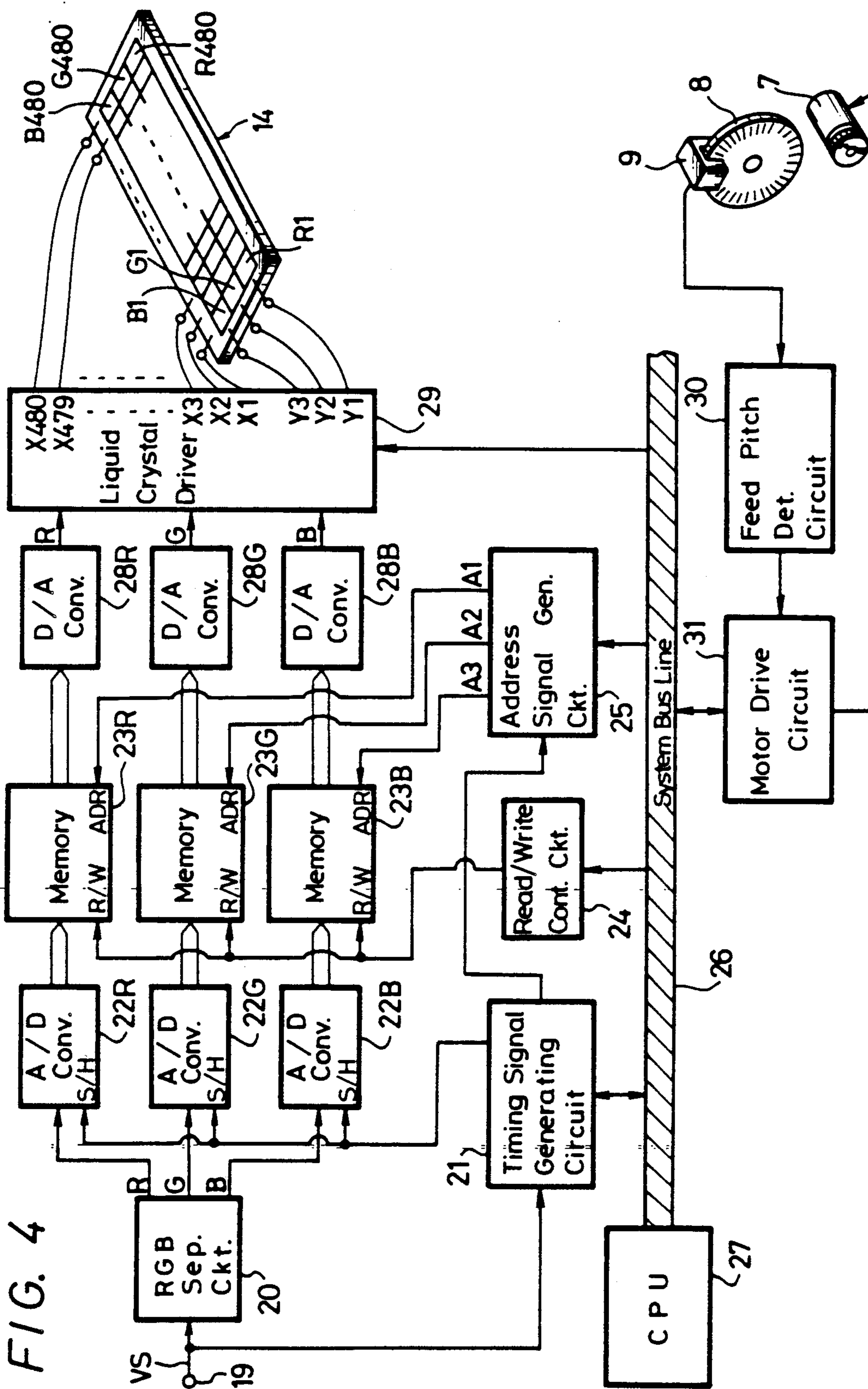


FIG. 4

FIG. 5C

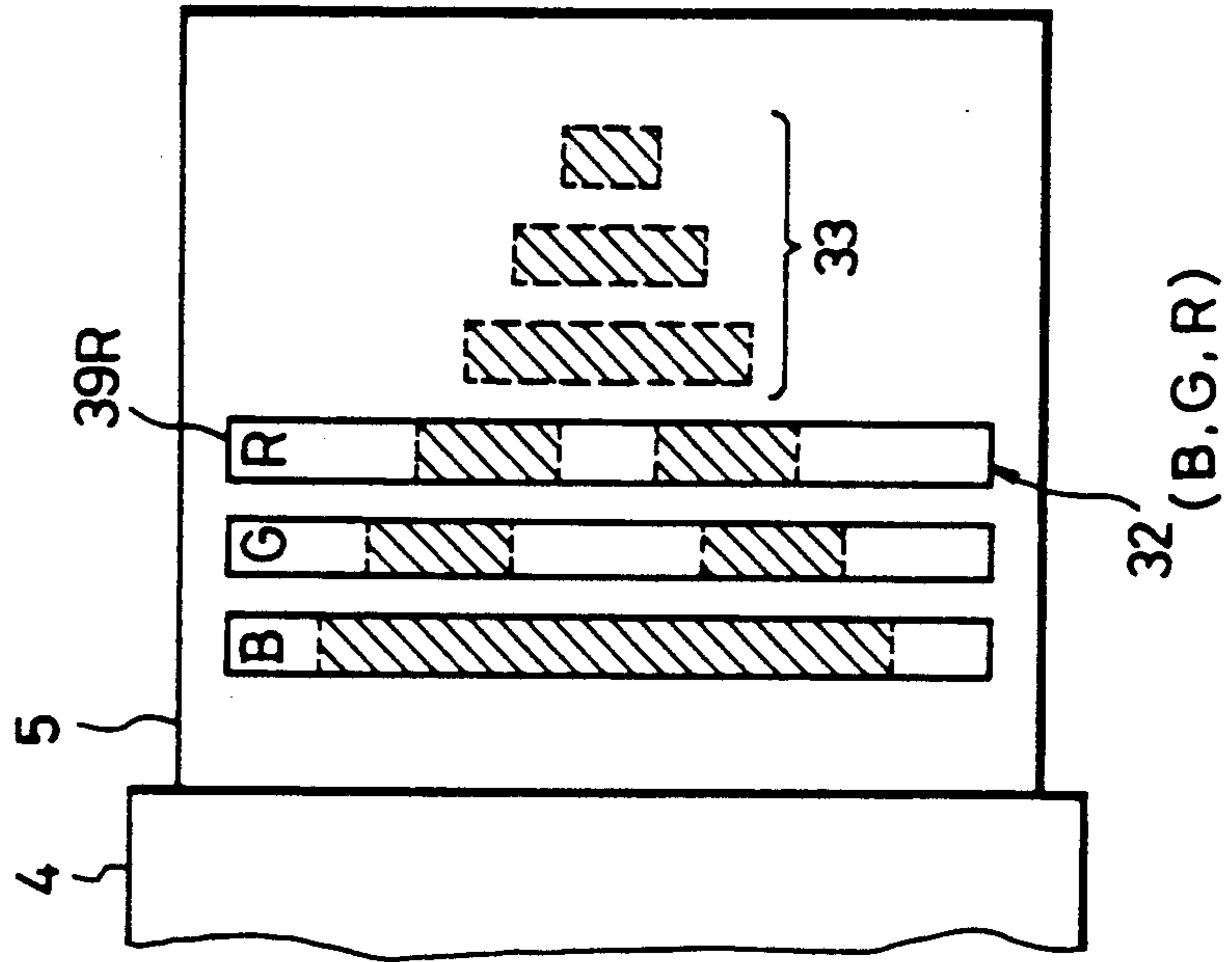


FIG. 5B

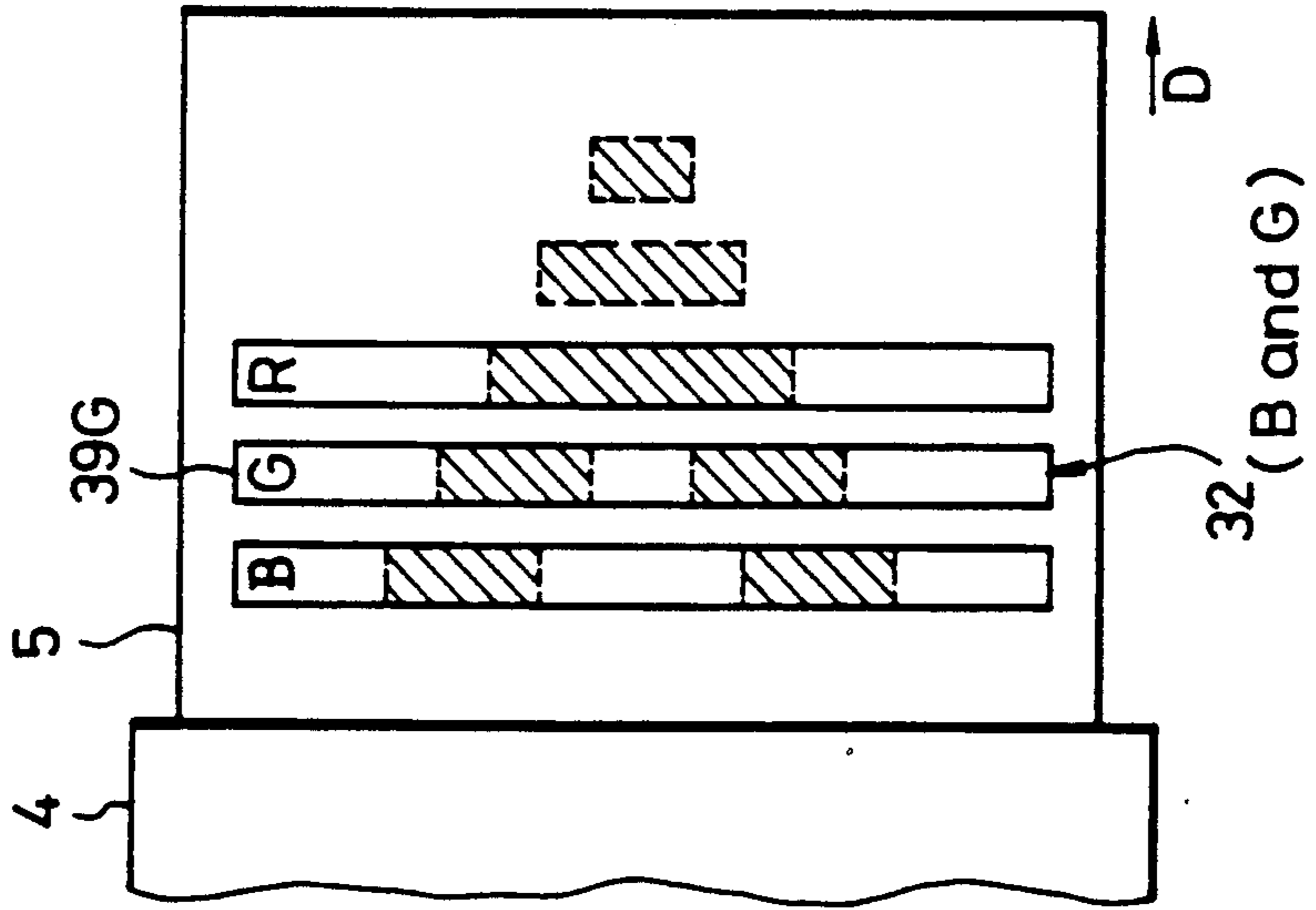


FIG. 5A

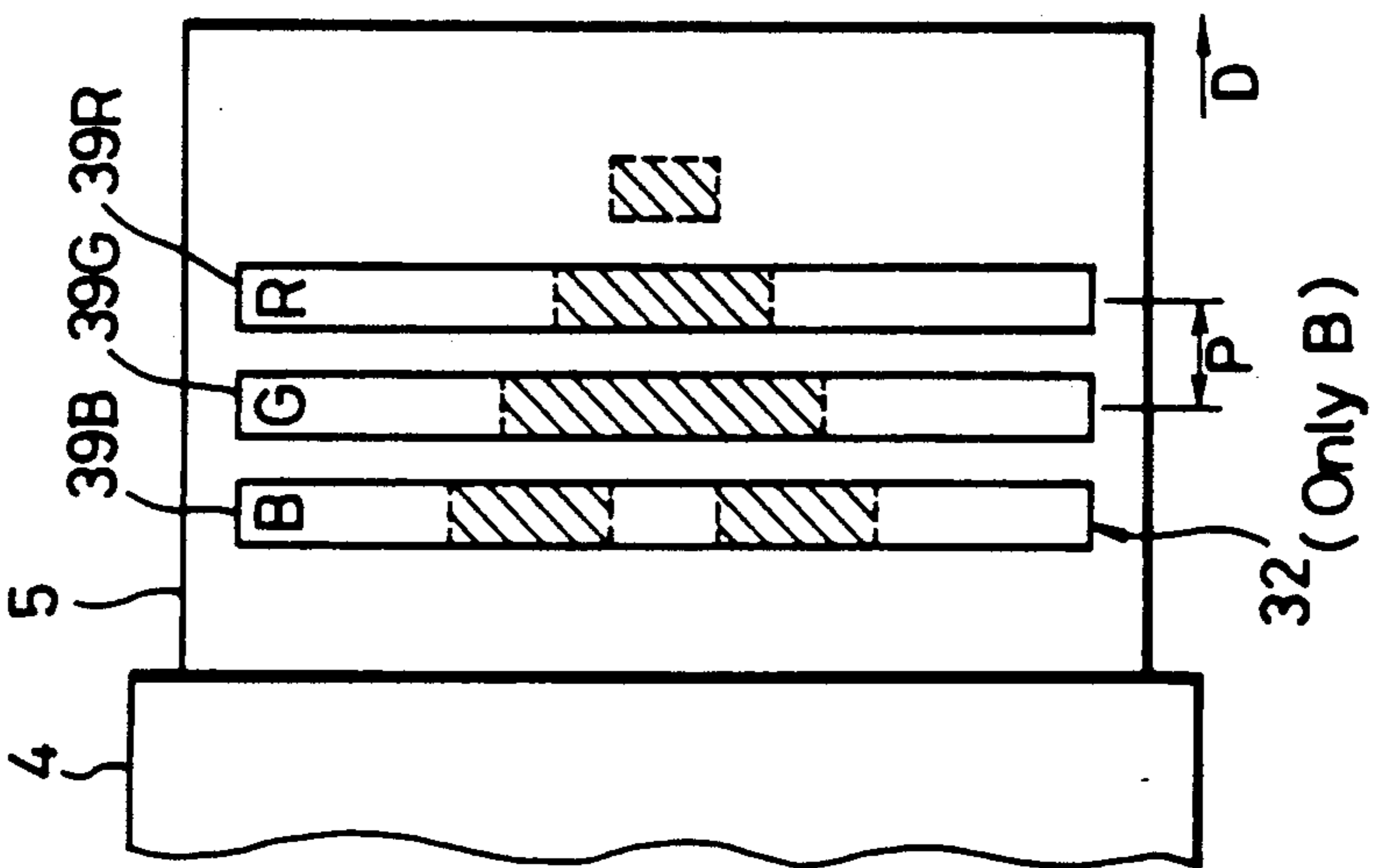


FIG. 6

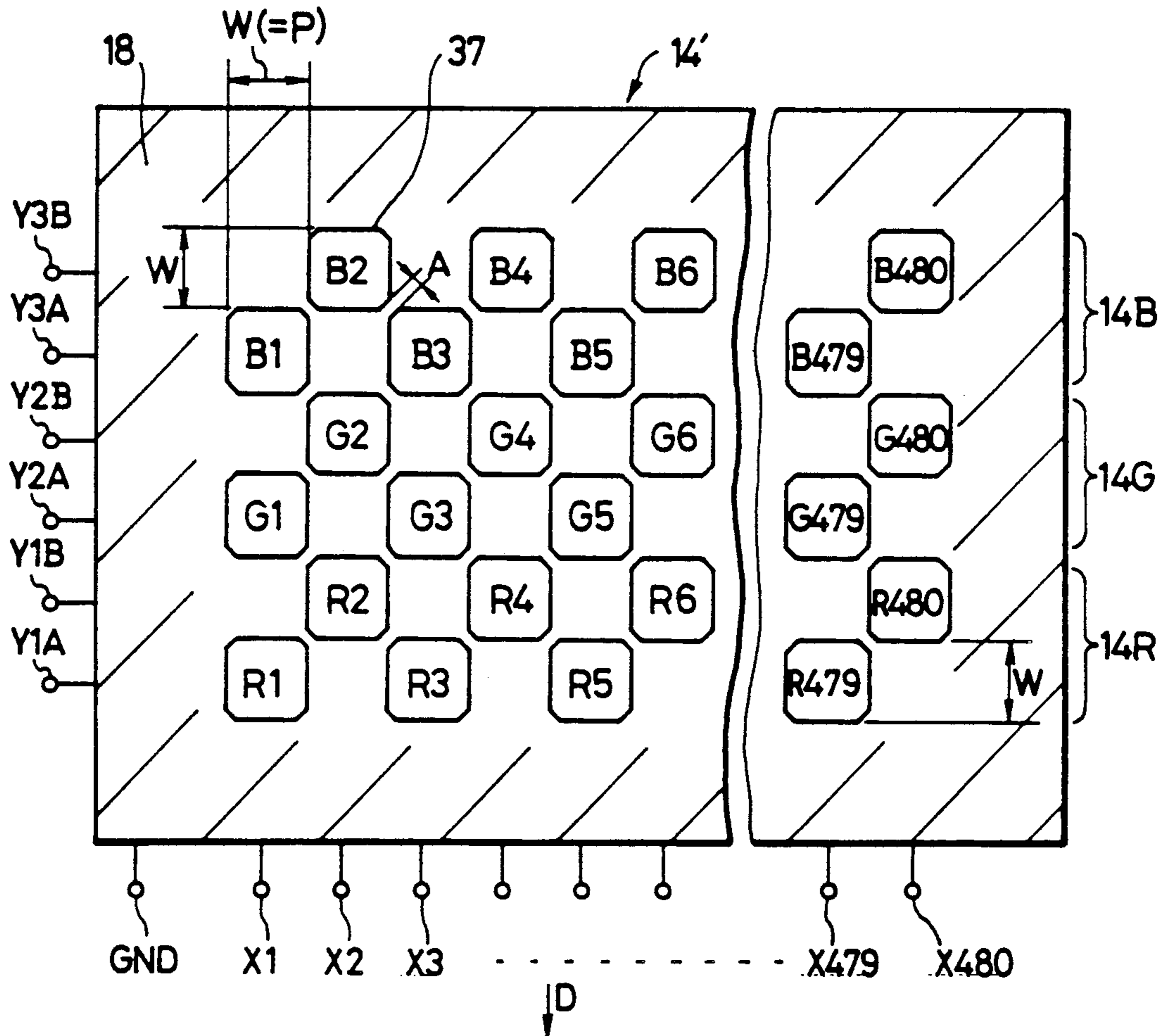
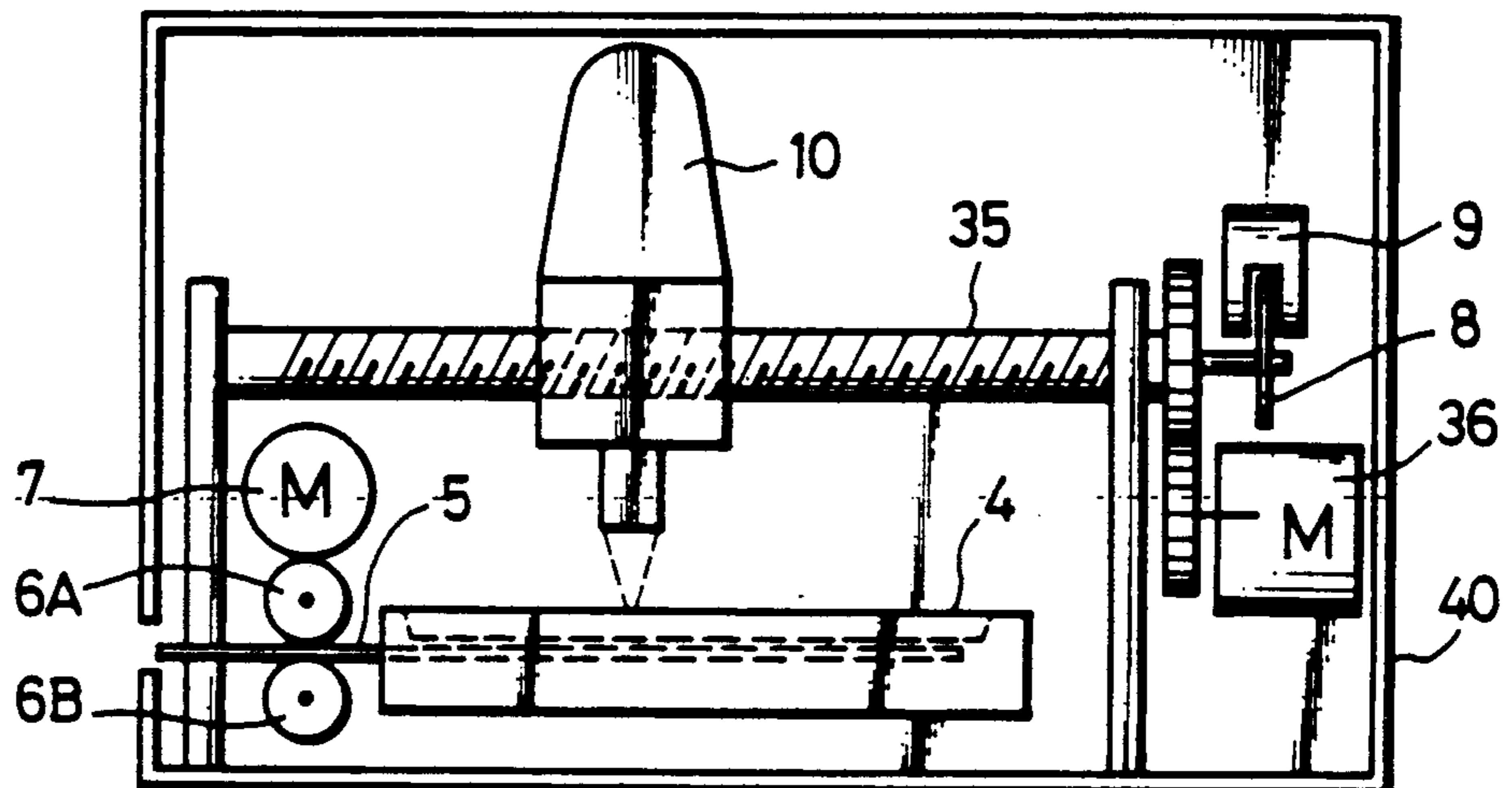


FIG. 9



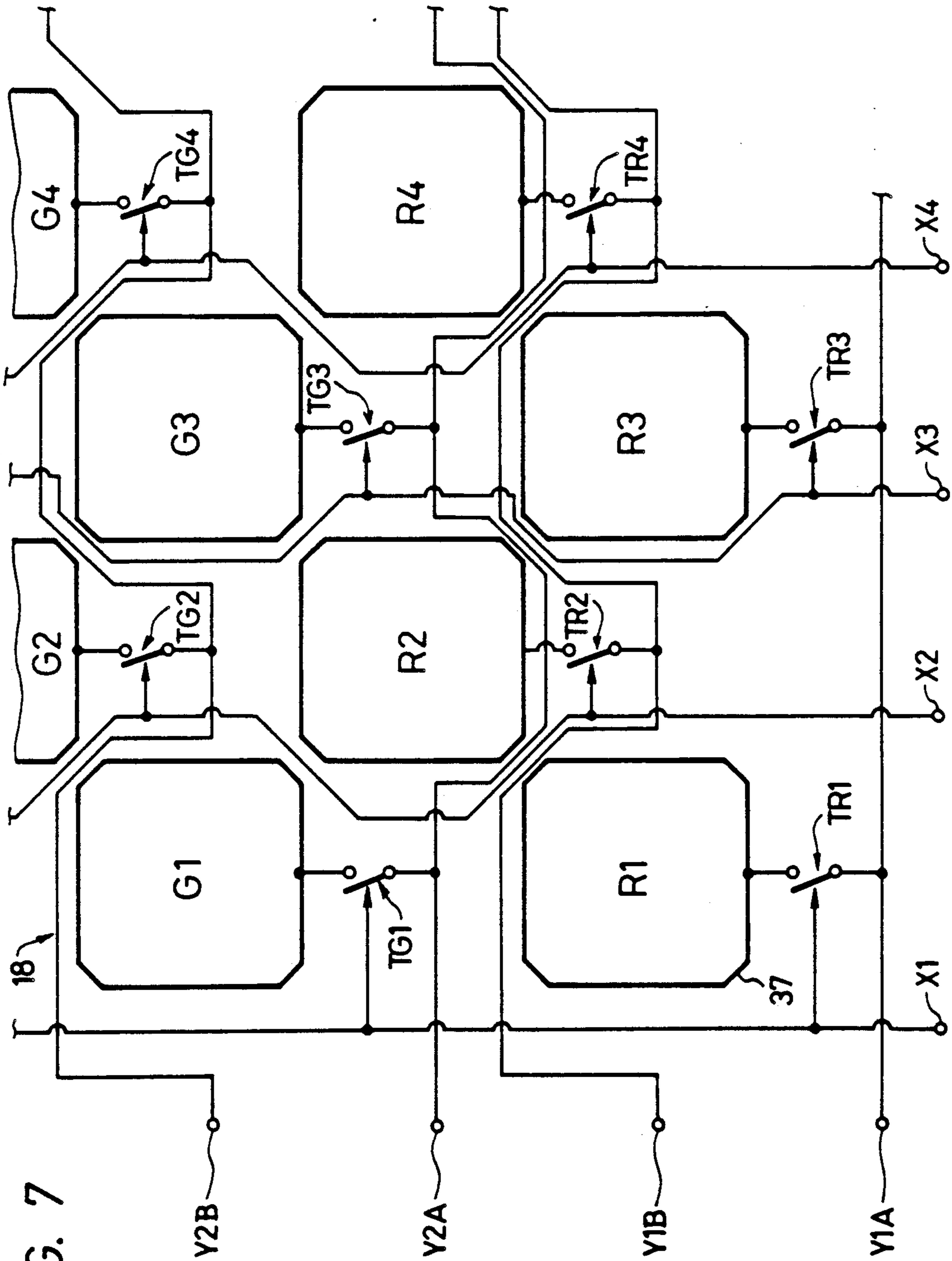


FIG. 7

FIG. 8

