

United States Patent [19]

Arai et al.

[11] Patent Number: **Des. 315,727**

[45] Date of Patent: **** Mar. 26, 1991**

[54] **DISPOSABLE CAMERA**

[75] Inventors: **Takuya Arai; Kimiaki Nakada**, both of Tokyo, Japan

[73] Assignee: **Fuji Photo Film Co., Ltd.**, Kanagawa, Japan

[*] Notice: The portion of the term of this patent subsequent to Oct. 30, 2004 has been disclaimed.

[**] Term: **14 Years**

[21] Appl. No.: **947,961**

[22] Filed: **Dec. 30, 1986**

[30] **Foreign Application Priority Data**

Jun. 30, 1986 [JP] Japan 61-25409
Jun. 30, 1986 [JP] Japan 61-25410

[52] U.S. Cl. **D14/121**

[58] Field of Search D9/307, 414, 415, 422; D14/121; D16/200, 218; 206/316.2, 455, 456; 150/165; 224/908; 354/174, 126, 400, 275, 288

[56] **References Cited**

U.S. PATENT DOCUMENTS

D. 29,376 9/1898 Brownell D16/200
D. 73,750 11/1927 Lehr D16/218

D. 74,211 1/1928 Bornmann D16/218
D. 83,021 1/1931 Teague D16/218
D. 284,654 7/1986 Sandell et al. D14/121
D. 291,579 8/1987 Ito et al. D16/218 X
2,072,625 3/1937 Rose D14/121 X

OTHER PUBLICATIONS

May 25, 1986 Issue of "Japan Economic News", p. 8, and English translation of the relevant column.
Jun. 16, 1986 Issue of "Business Week", pp. 1, 3 and 92.

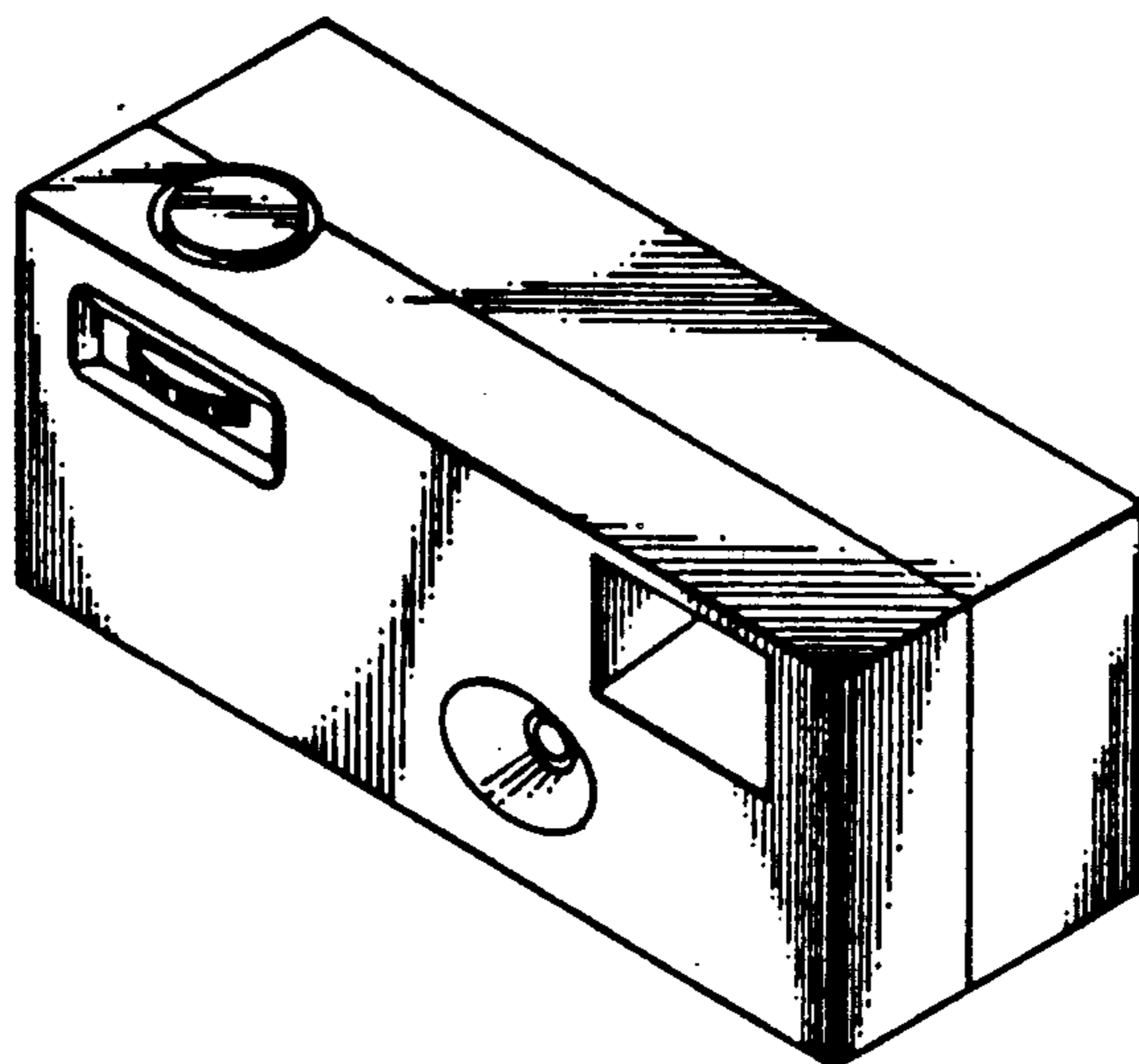
Primary Examiner—Bernard Ansher
Assistant Examiner—Prabhakar Deshmukh
Attorney, Agent, or Firm—Young & Thompson

[57] **CLAIM**

The ornamental design for a disposable camera, as shown and described.

DESCRIPTION

FIG. 1 is a perspective view of a disposable camera showing our new design;
FIG. 2 is a front elevational view thereof;
FIG. 3 is a rear elevational view thereof;
FIG. 4 is an end elevational view thereof from the left of FIG. 2;
FIG. 5 is an end elevational view thereof from the right of FIG. 2;
FIG. 6 is a top plan view thereof; and
FIG. 7 is a bottom plan view thereof.



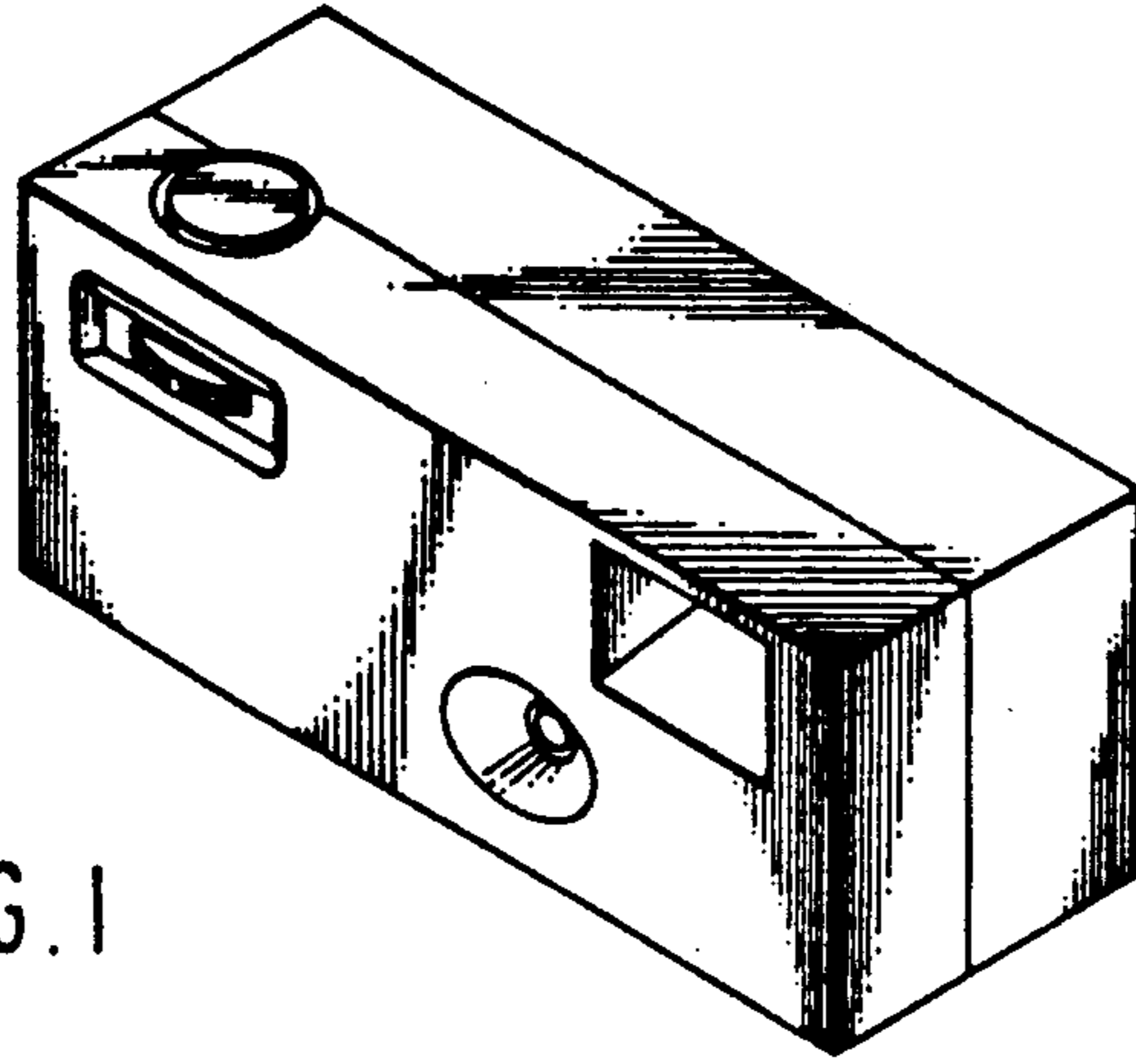


FIG. 1

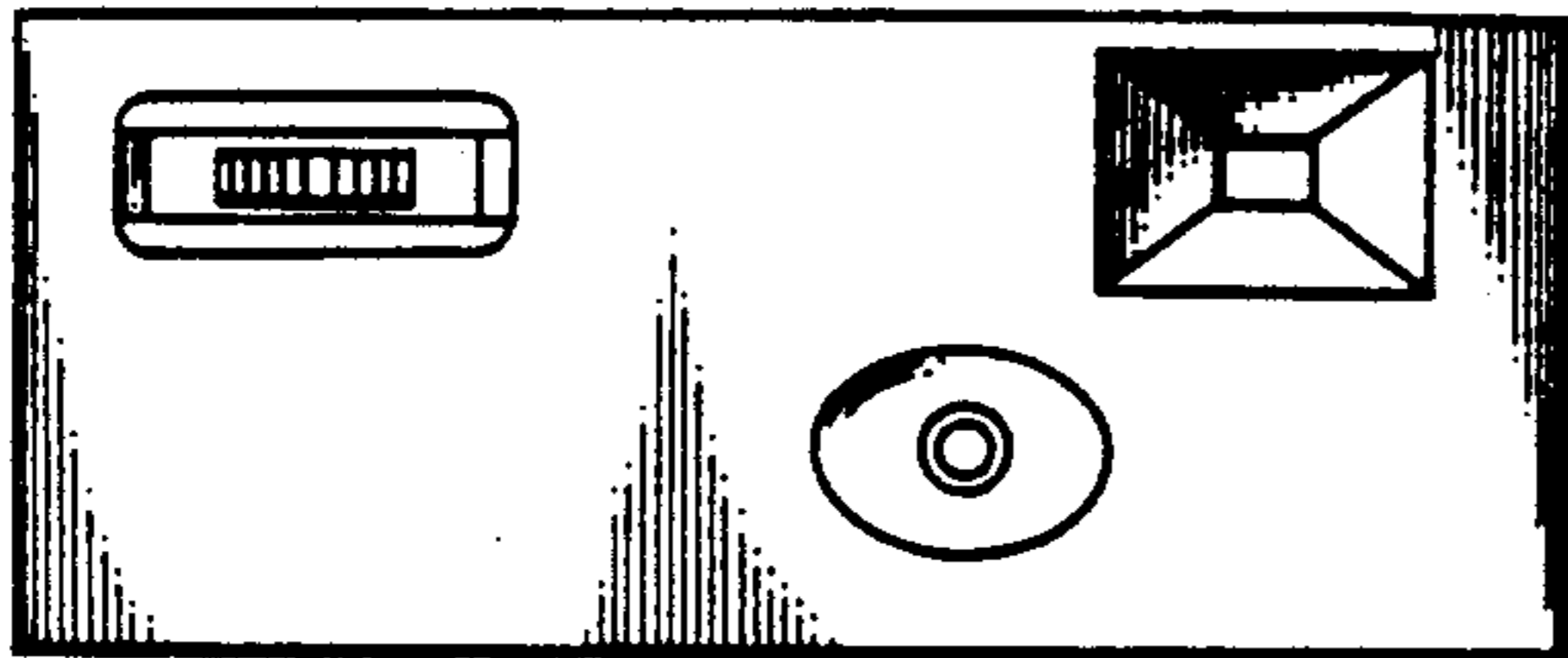


FIG. 2

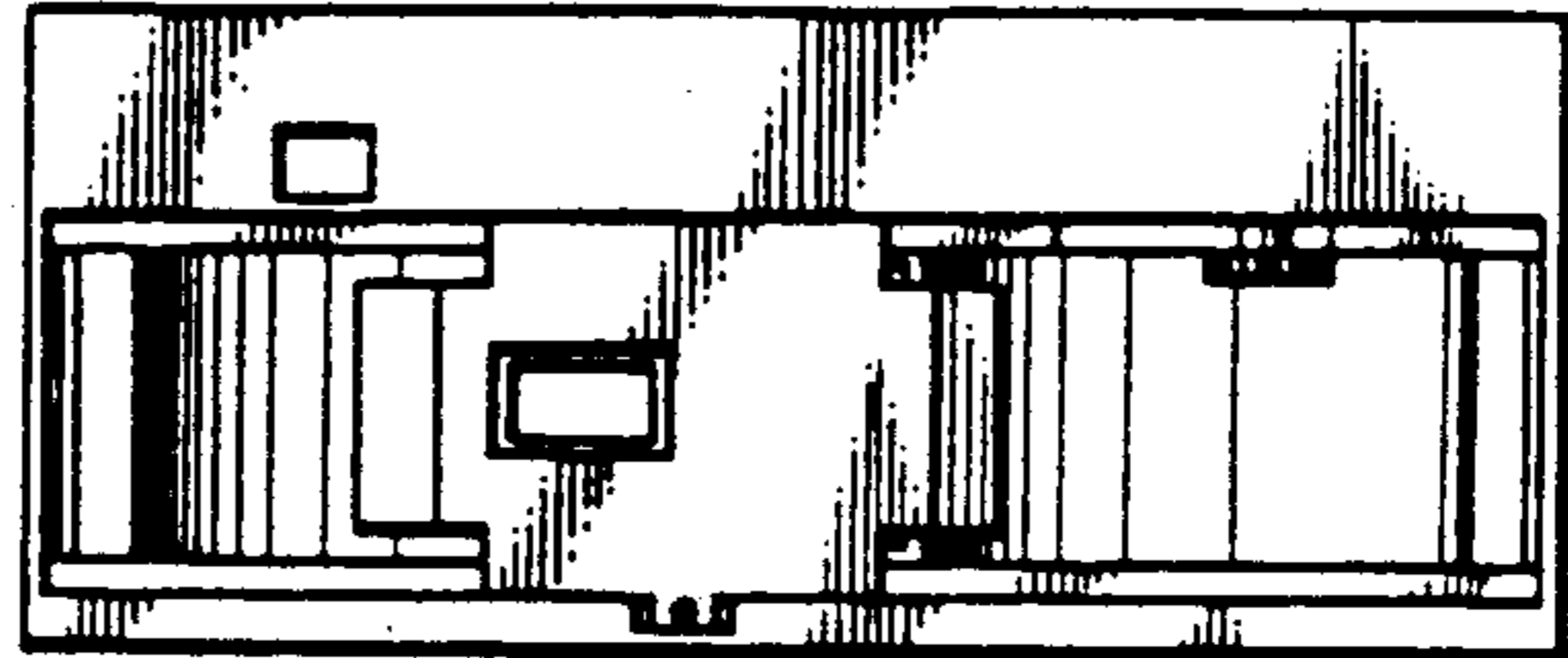


FIG. 3



FIG. 4

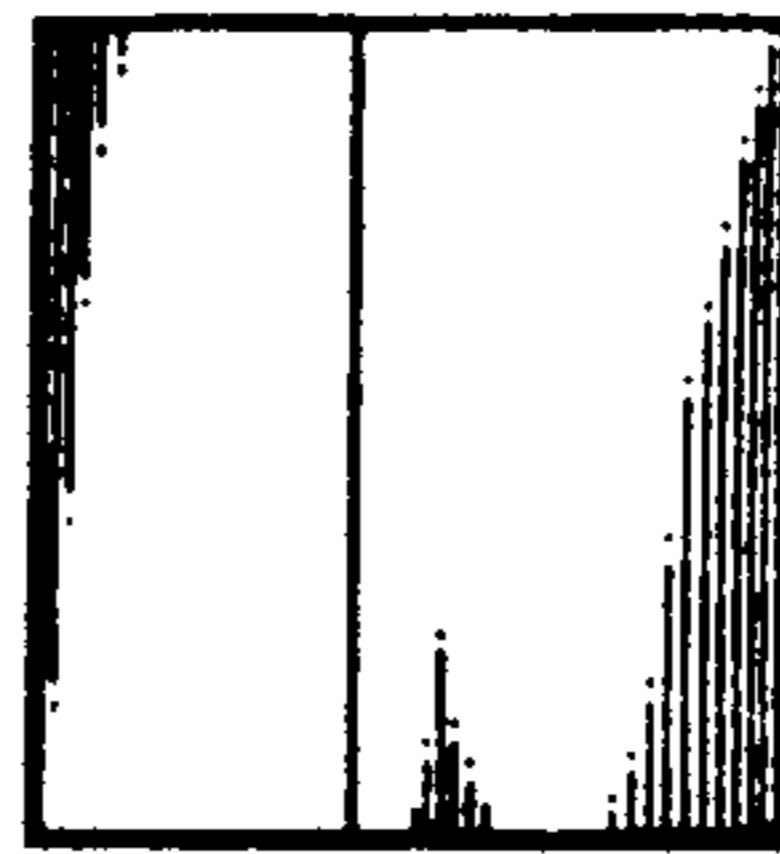


FIG. 5



FIG. 6

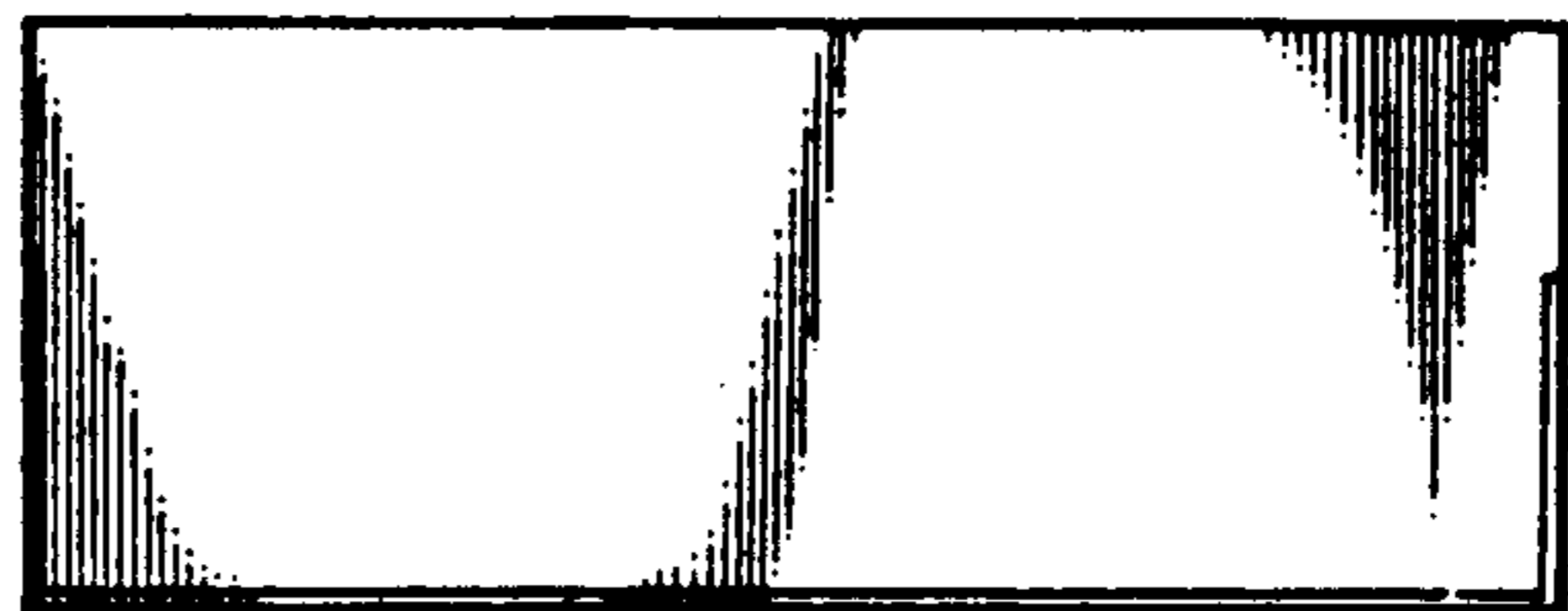


FIG. 7