

[54] CARTRIDGE TAPE SUBSYSTEM

[75] Inventors: George E. Kirchner, Duluth; George G. Creel, Lithonia, both of Ga.

[73] Assignee: Memorex Telex Corporation, Tulsa, Okla.

[**] Term: 14 Years

[21] Appl. No.: 262,014

[22] Filed: Oct. 25, 1988

[52] U.S. Cl. D14/108; D14/102

[58] Field of Search D14/100, 102, 104, 107, D14/108, 109; D13/184; 360/97-99, 132, 133; 361/330, 331, 334, 335, 390-395, 415, 426; 200/5 A, 5 R, 6 A, 6 R; 369/34, 132, 176, 178, 292

D. 227,260 6/1973 Clayton et al. D14/108
 D. 284,375 6/1986 Bullock et al. D14/102
 D. 303,256 1/1989 Staley D14/102 X
 D. 306,436 3/1990 Fujimori et al. D14/108

Primary Examiner—Wallace R. Burke
 Assistant Examiner—Freda S. Nunn
 Attorney, Agent, or Firm—Head & Johnson

[57] CLAIM

The ornamental design for a cartridge tape subsystem, as shown and described.

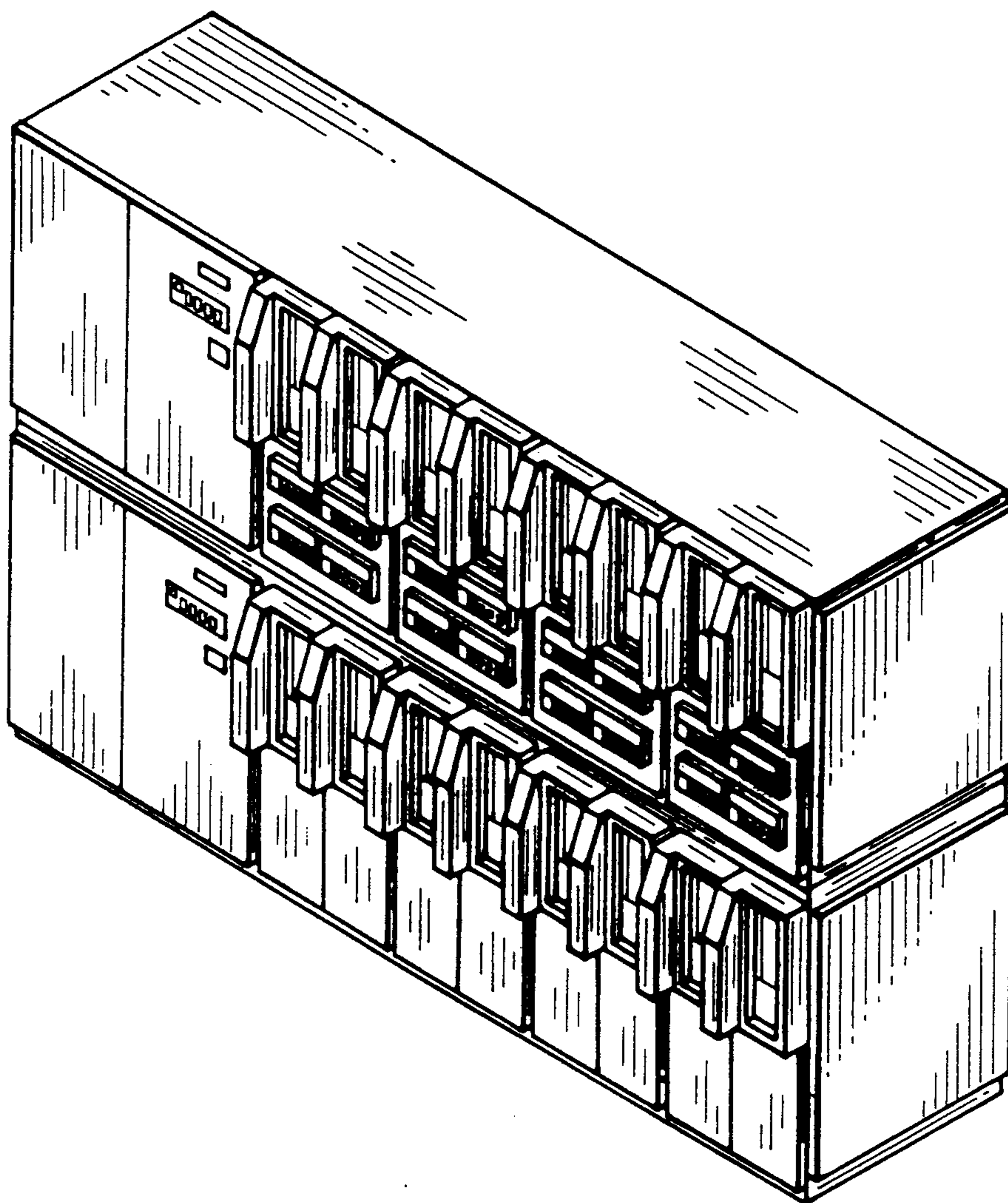
DESCRIPTION

FIG. 1 is a front elevational view of a cartridge tape subsystem showing our new design;
 FIG. 2 is a right side elevational view thereof;
 FIG. 3 is a left side elevational view thereof;
 FIG. 4 is a top plan view thereof;
 FIG. 5 is a bottom plan view thereof;
 FIG. 6 is a rear elevational view thereof;
 FIG. 7 is a front, right side perspective view thereof on a slightly reduced scale.

[56] References Cited

U.S. PATENT DOCUMENTS

D. 193,512 9/1962 Davis et al. D14/108
 D. 202,553 10/1965 Graser et al. D14/108



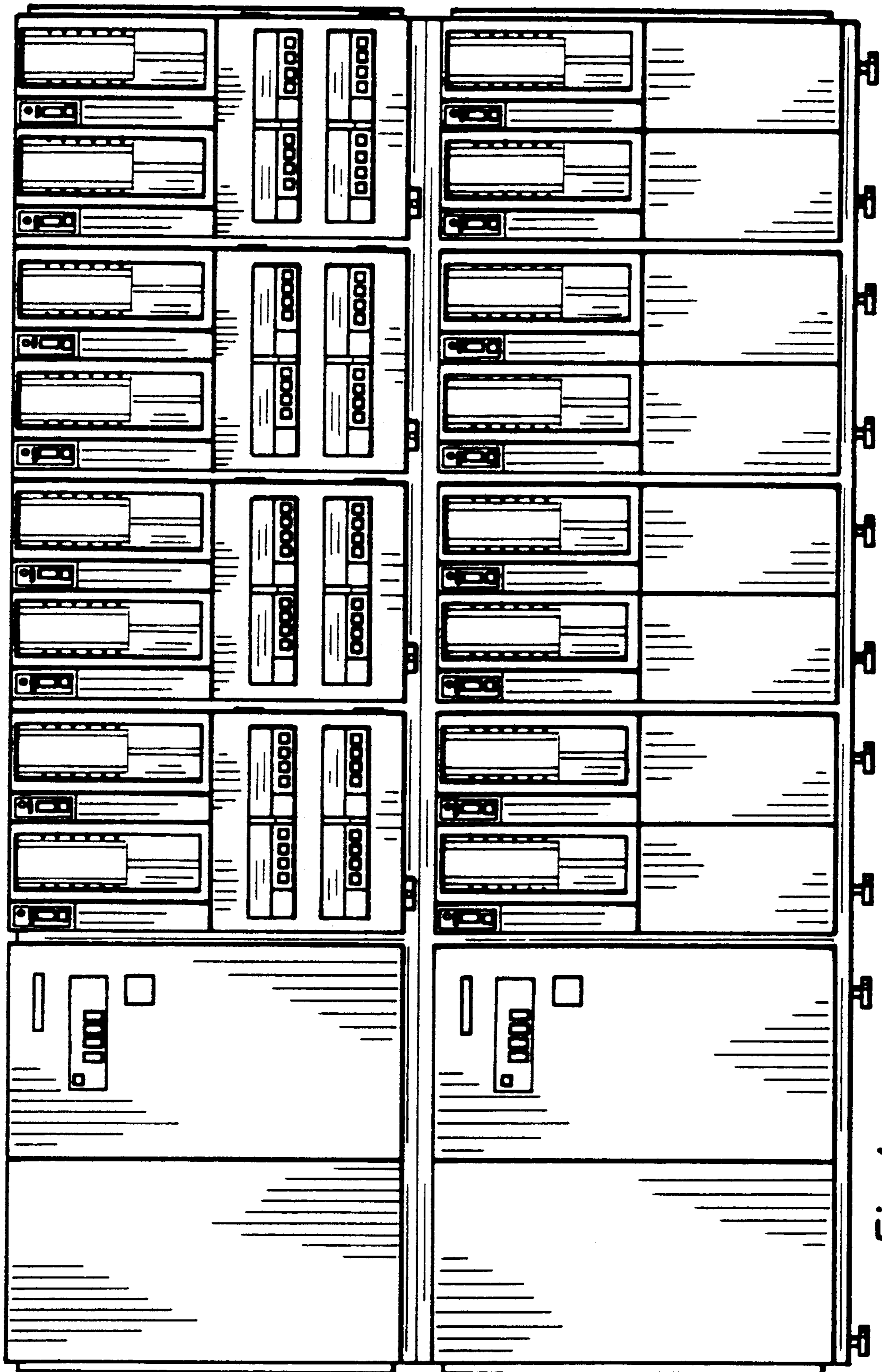


Fig. 1

Fig. 2

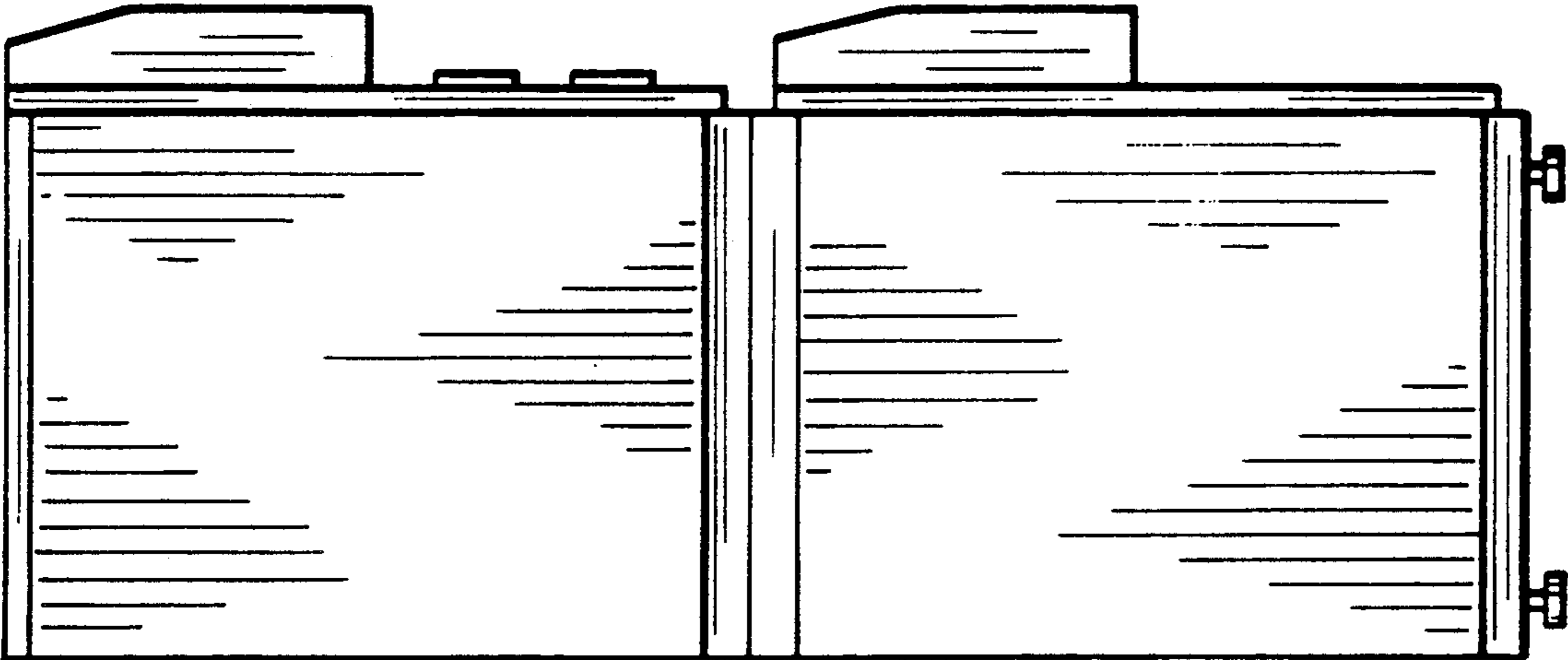
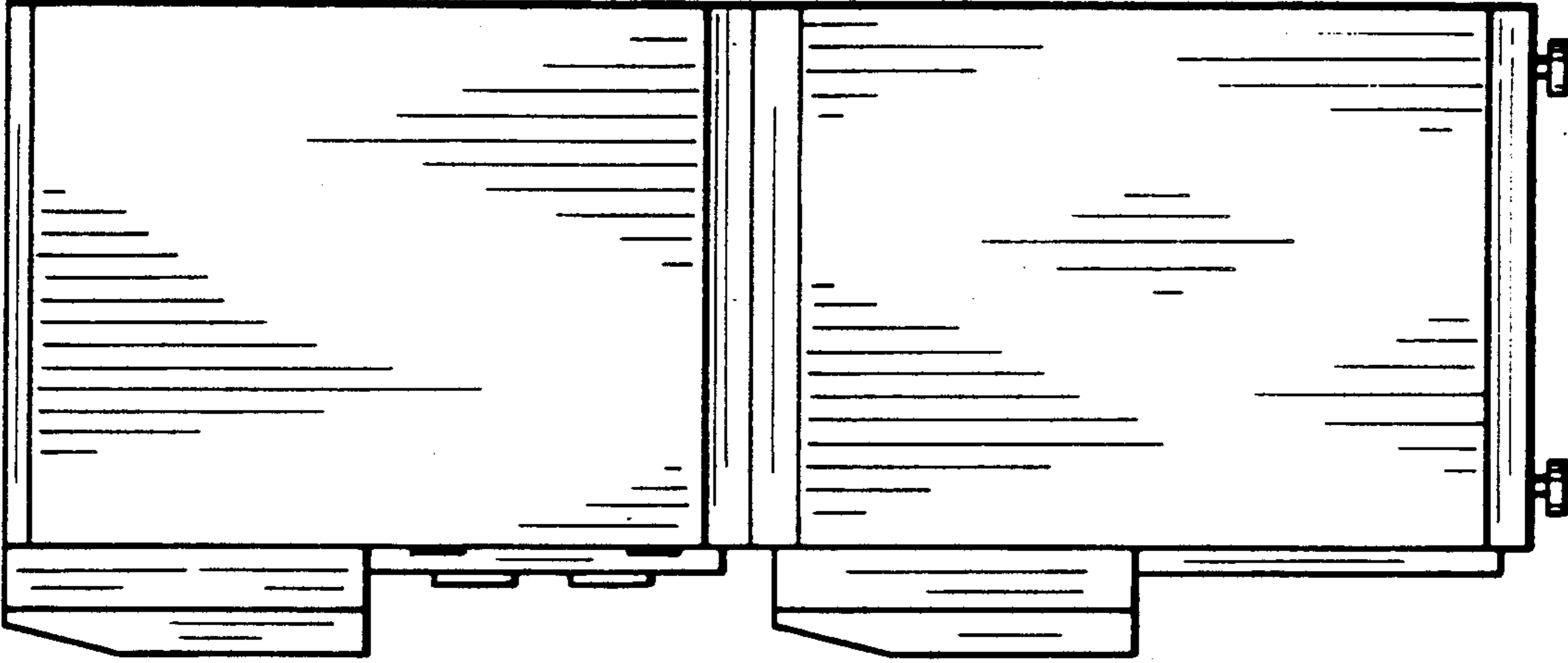


Fig. 3

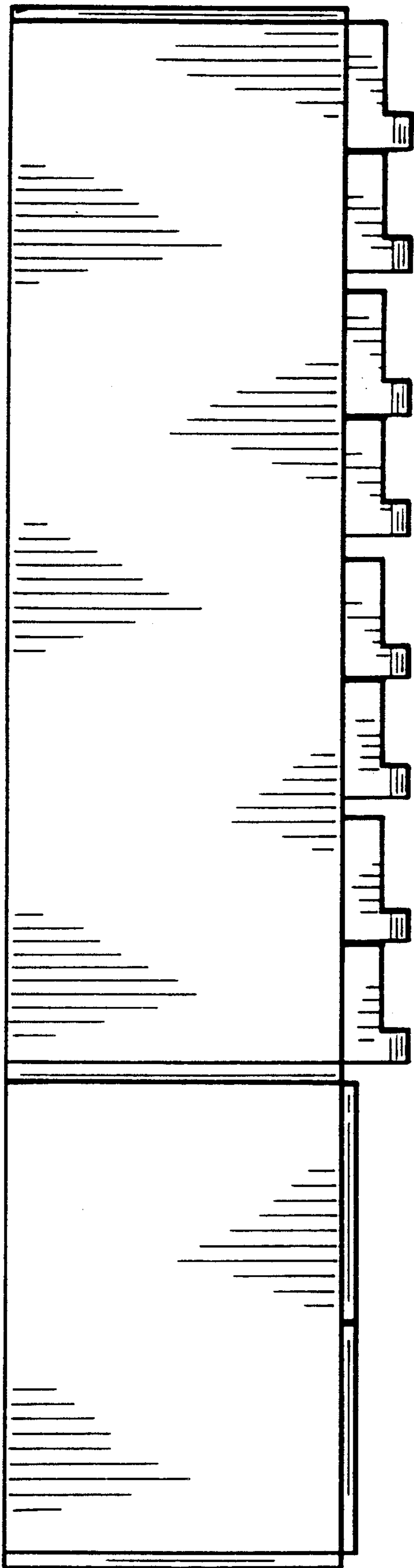


Fig. 4

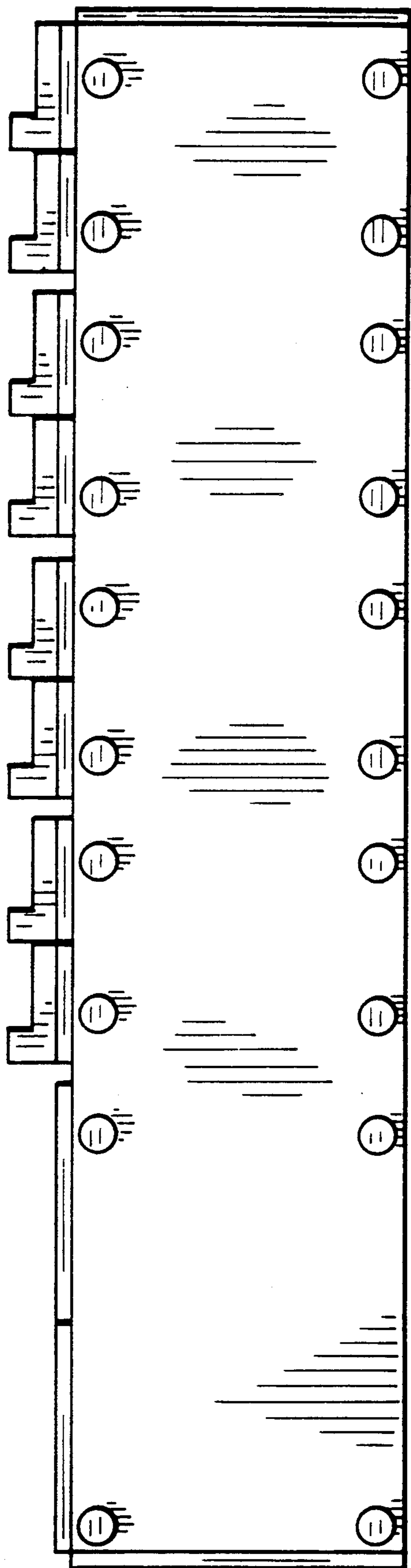


Fig. 5

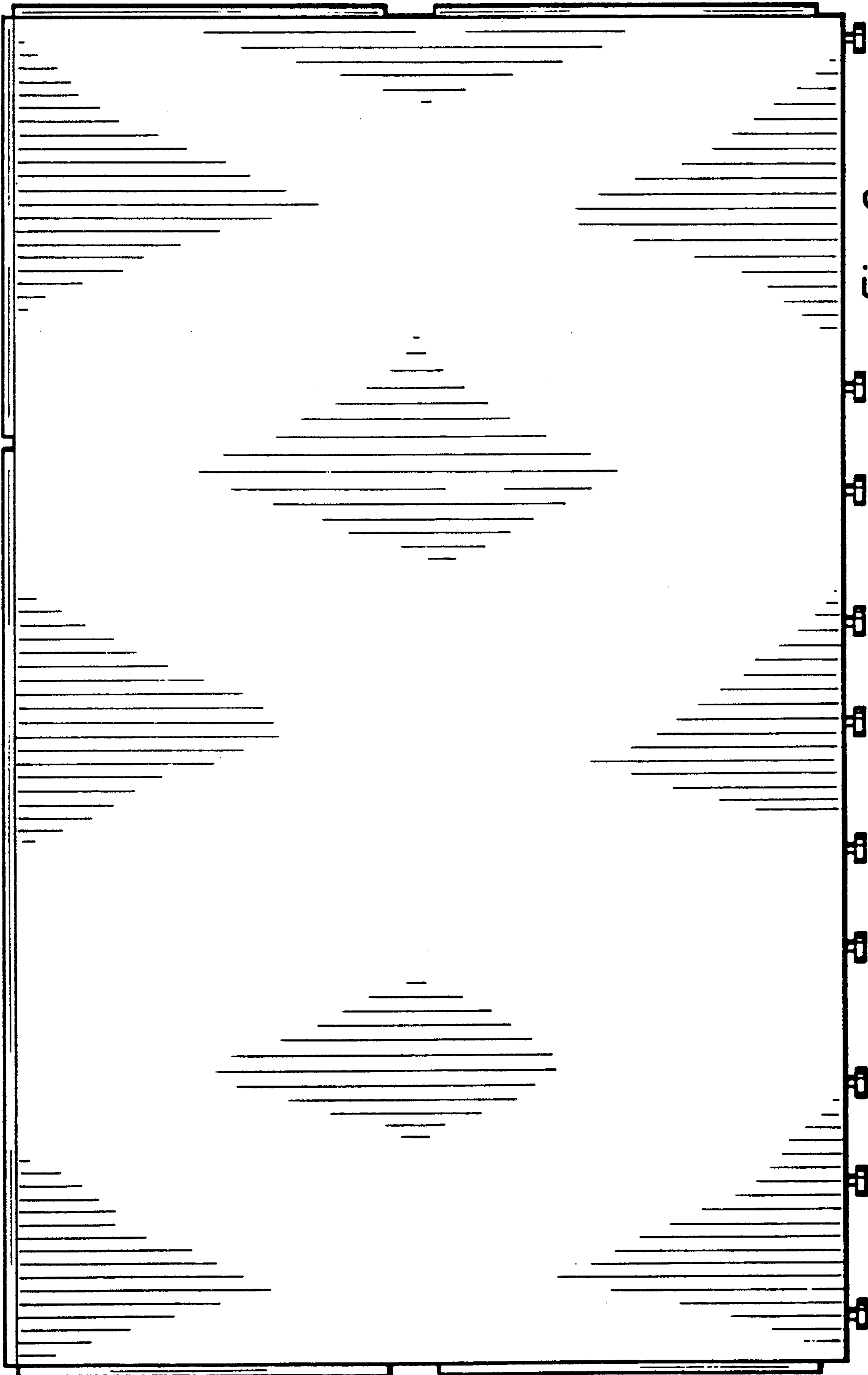


Fig. 6

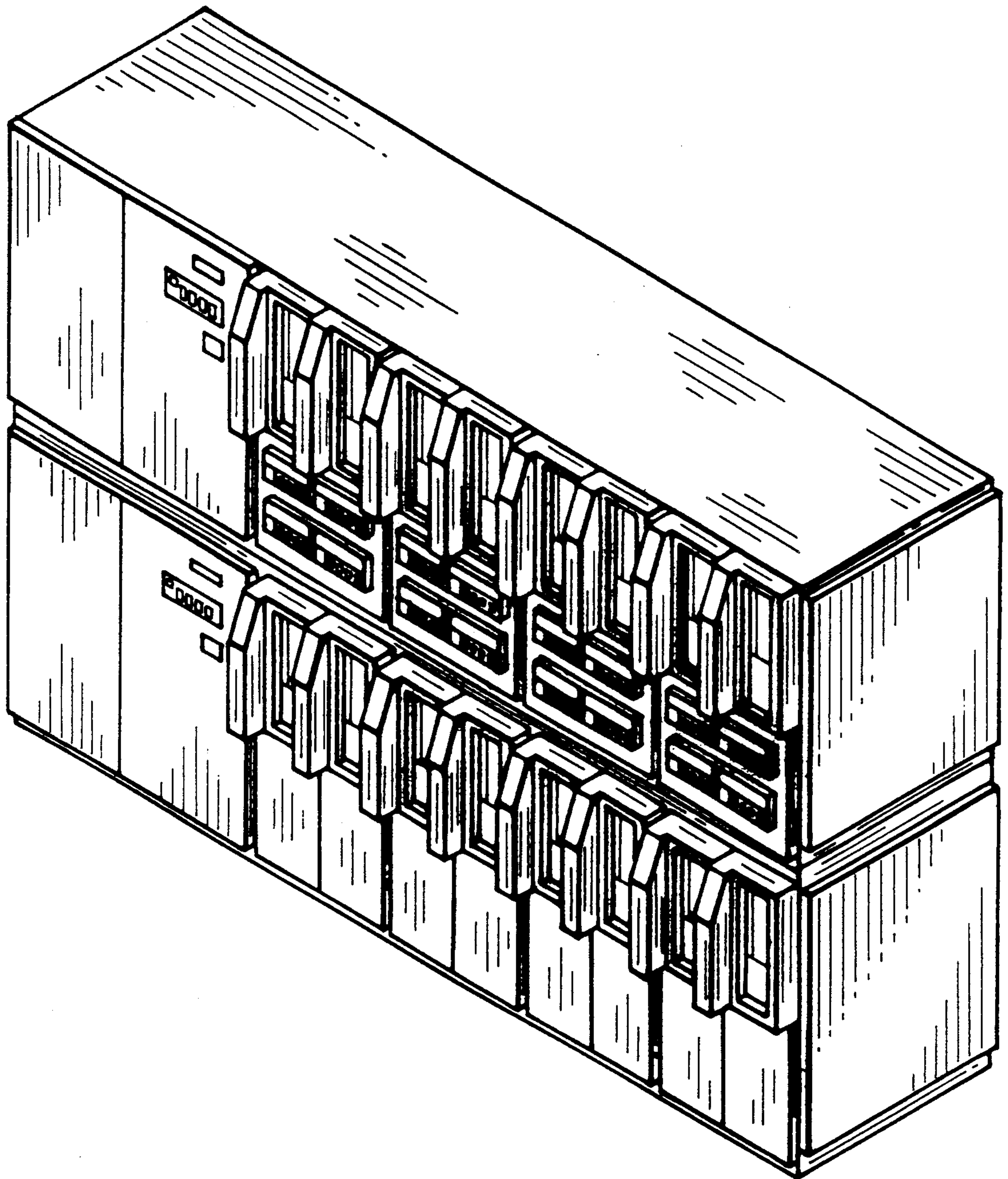


Fig. 7