

[54] MOTORBOAT

[75] Inventor: Teruhito Momoi, Akashi, Japan

[73] Assignee: Kawasaki Jukogyo Kabushiki Kaisha, Kobe, Japan

[\*\*] Term: 14 Years

[21] Appl. No.: 389,893

[22] Filed: Aug. 4, 1989

[52] U.S. Cl. .... D12/307

[58] Field of Search ..... D12/300, 307, 314; 114/271, 56, 291, 270

[56] References Cited

U.S. PATENT DOCUMENTS

- D. 216,342 12/1969 Lapointe ..... D12/307
- D. 237,956 12/1975 Naito ..... D12/314
- D. 289,991 5/1987 Suzuki et al. .... D12/307
- 3,426,724 2/1969 Jacobson ..... D12/307

FOREIGN PATENT DOCUMENTS

- 2549005 1/1985 France ..... 114/271

Primary Examiner—Kay H. Chin  
Attorney, Agent, or Firm—Leydig, Voit & Mayer

[57] CLAIM

The ornamental design for a motorboat, as shown and described.

DESCRIPTION

FIG. 1 is a front elevational view of a motorboat showing my new design;  
 FIG. 2 is a rear elevational view;  
 FIG. 3 is a top plan view;  
 FIG. 4 is a bottom plan view;  
 FIG. 5 is a right side elevational view;  
 FIG. 6 is a left side elevational view;  
 FIG. 7 is a front, right side and top perspective view;  
 FIG. 8 is a front, left side and top perspective view;  
 FIG. 9 is a sectional view taken along line IX—IX of FIG. 1 when the inner structure has been omitted, and  
 FIG. 10 is a sectional view taken along line X—X of FIG. 5 when the inner structure has been omitted, and  
 FIG. 11 is a section view thereof taken along line XI—XI of FIG. 5 when the inner structure has been omitted.

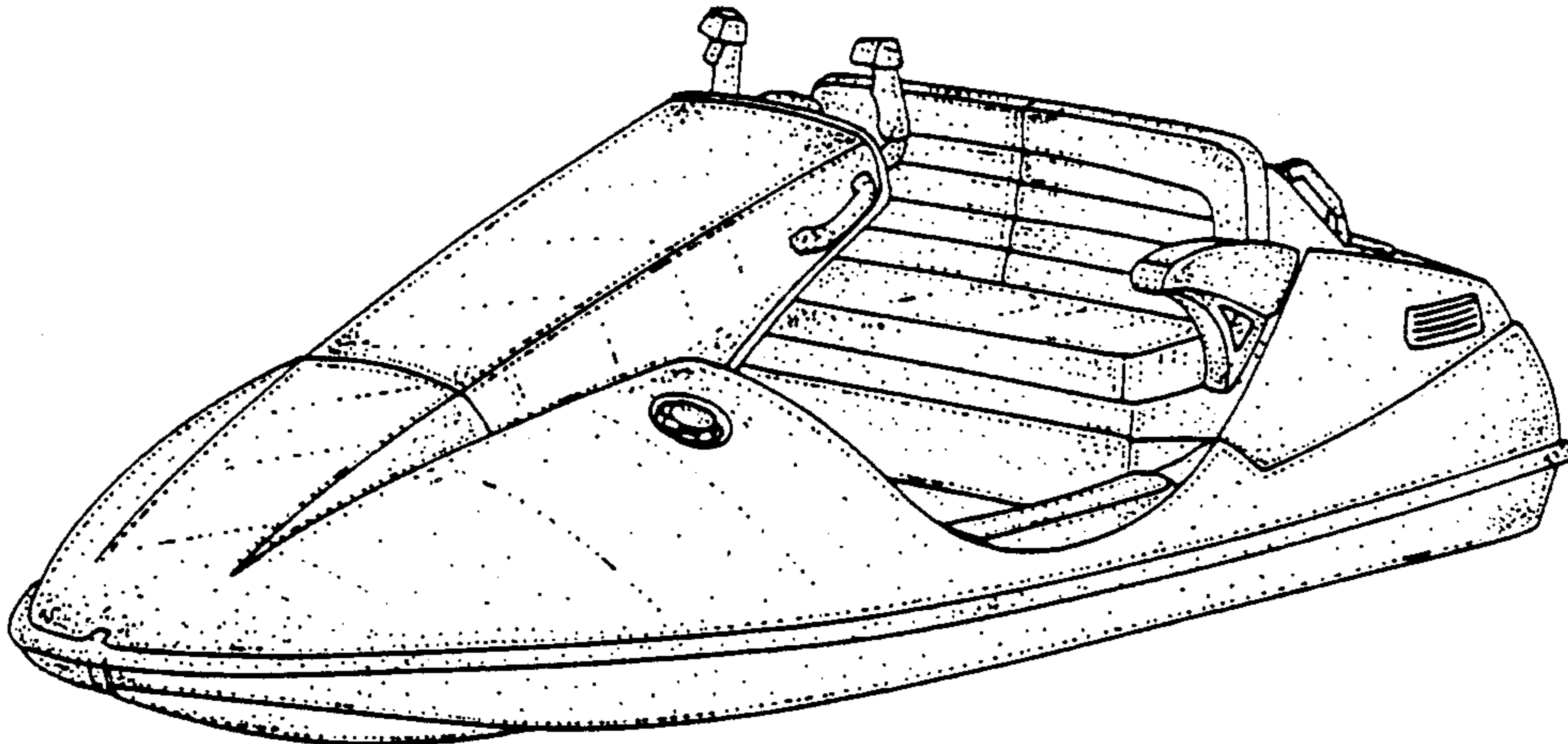


FIG. 1

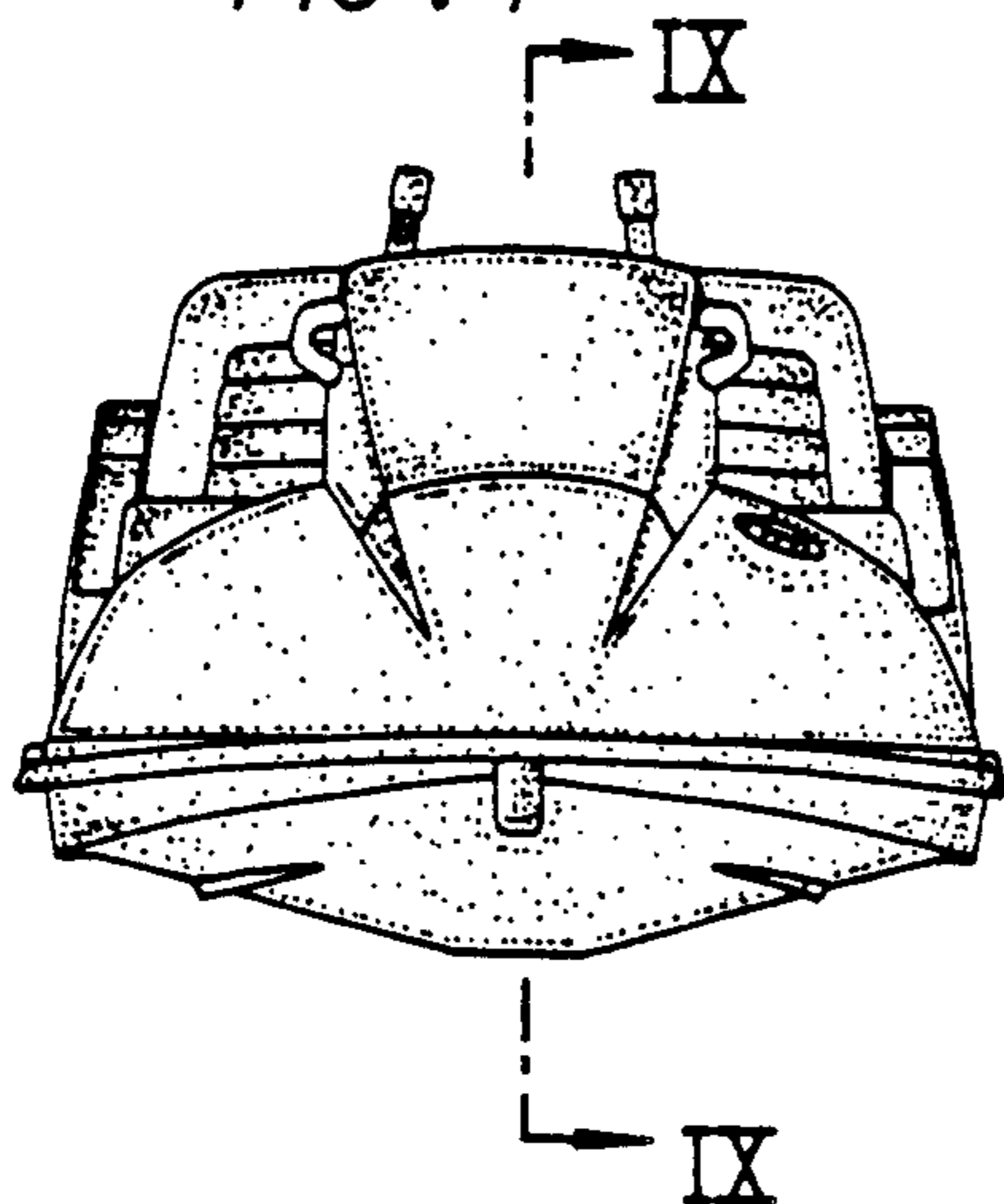


FIG. 2

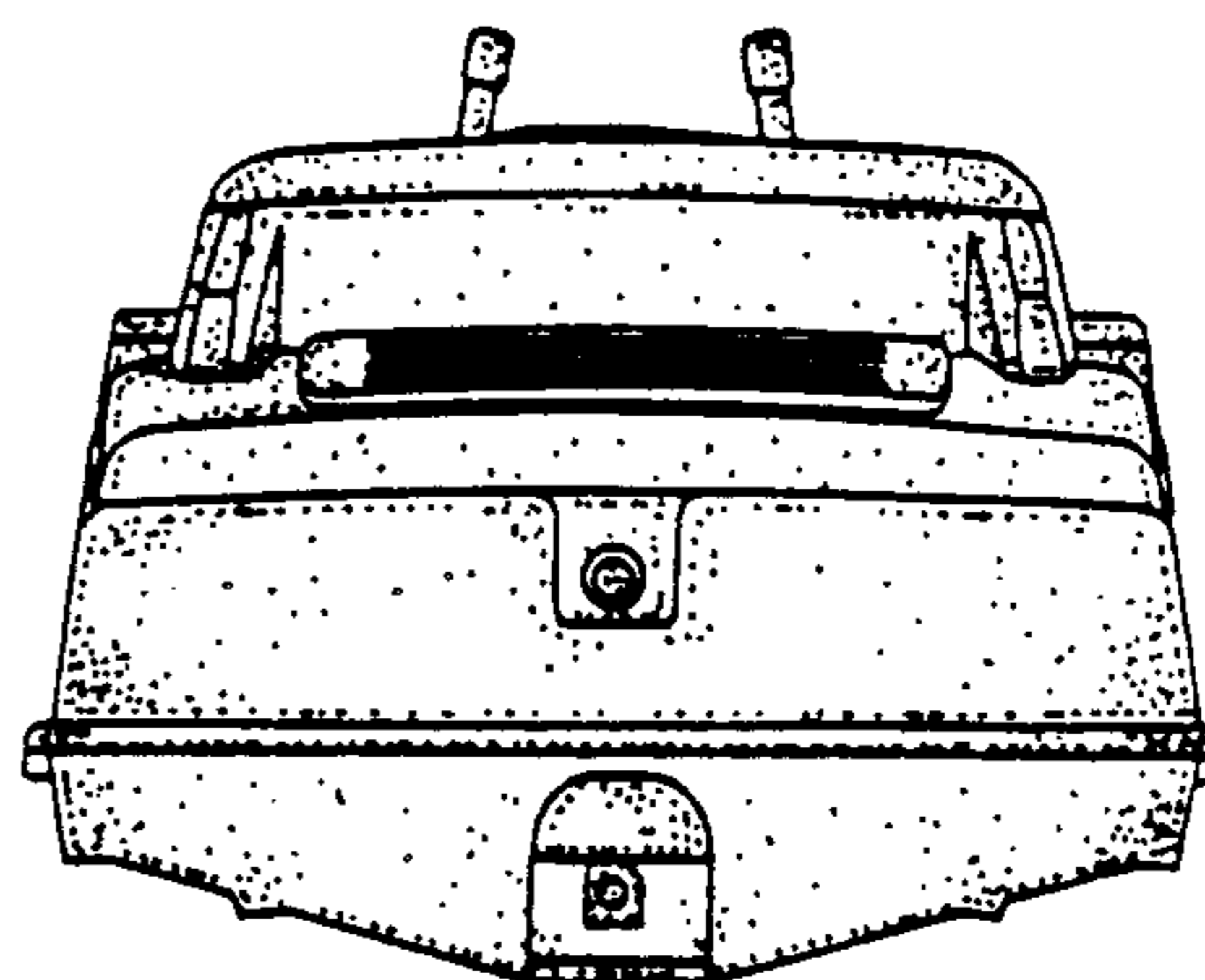


FIG. 3

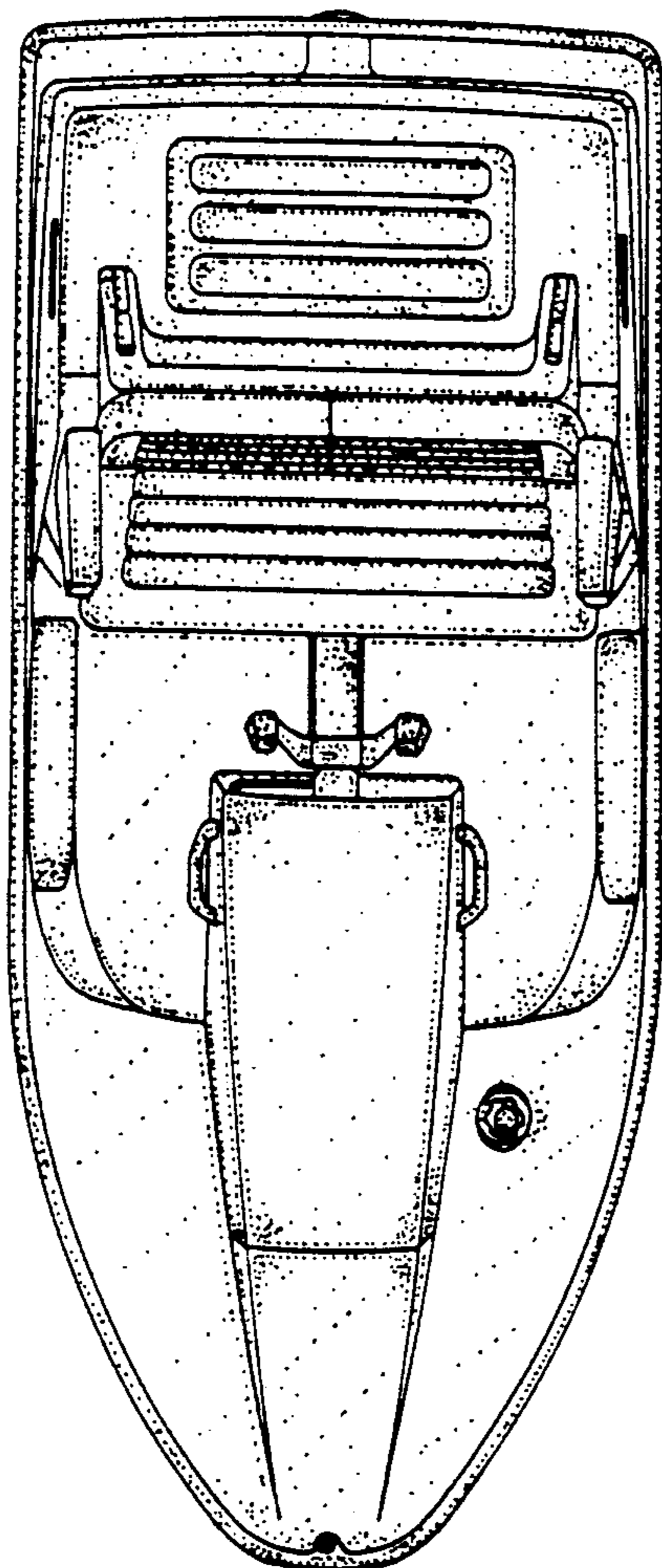


FIG. 4

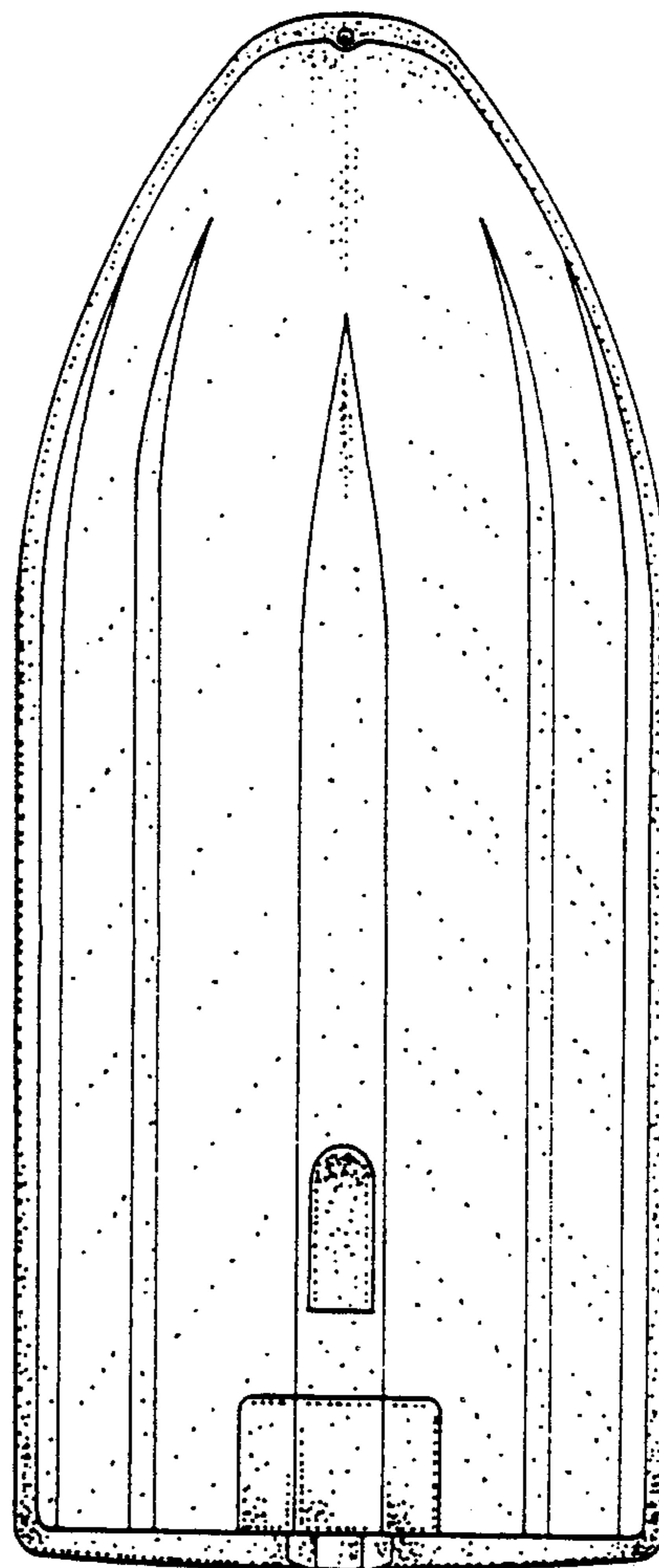


FIG. 5

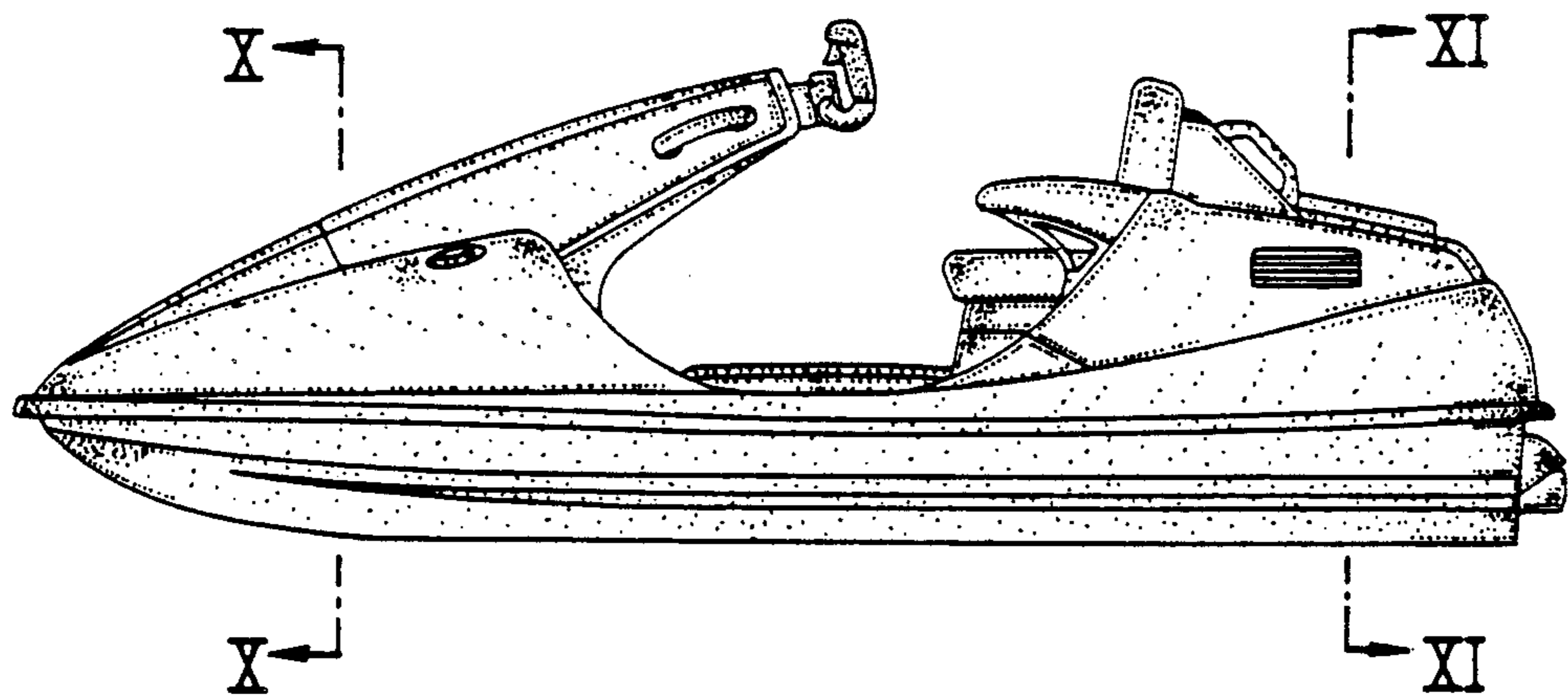


FIG. 6

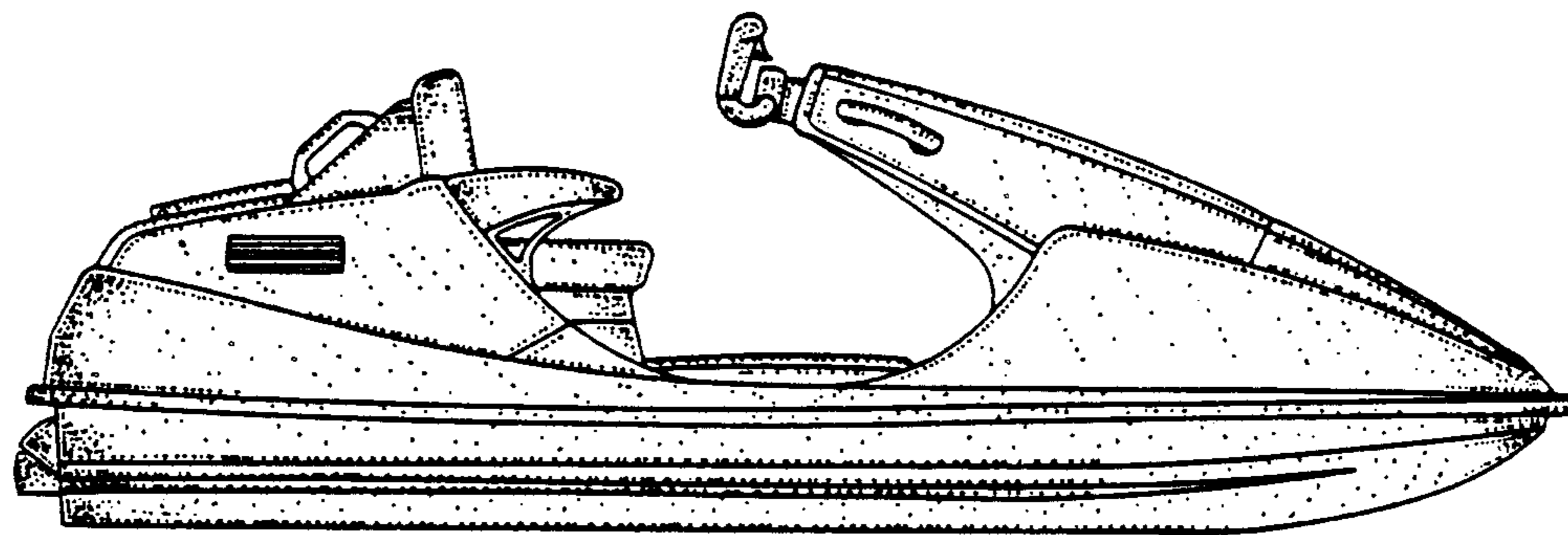




FIG. 7

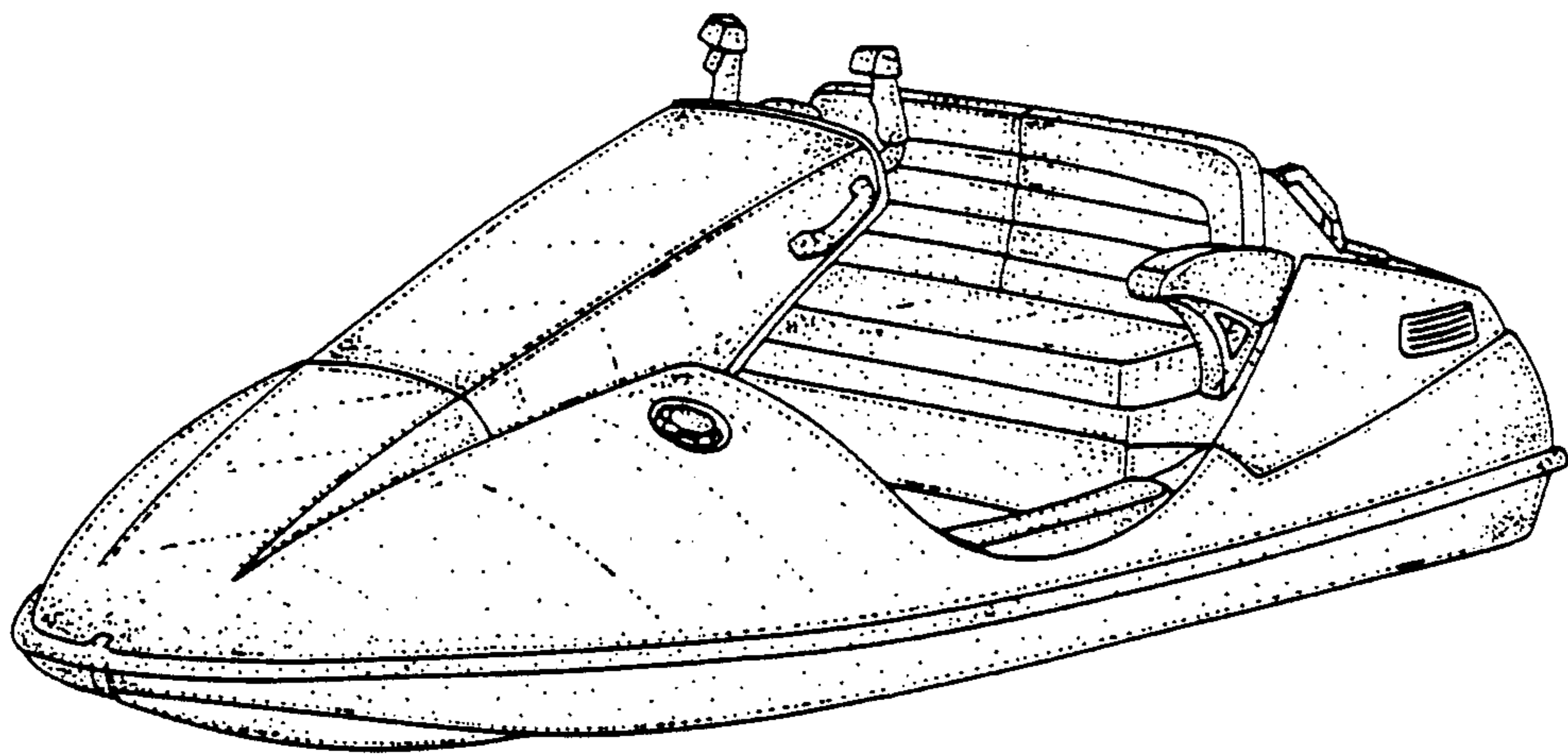


FIG. 8

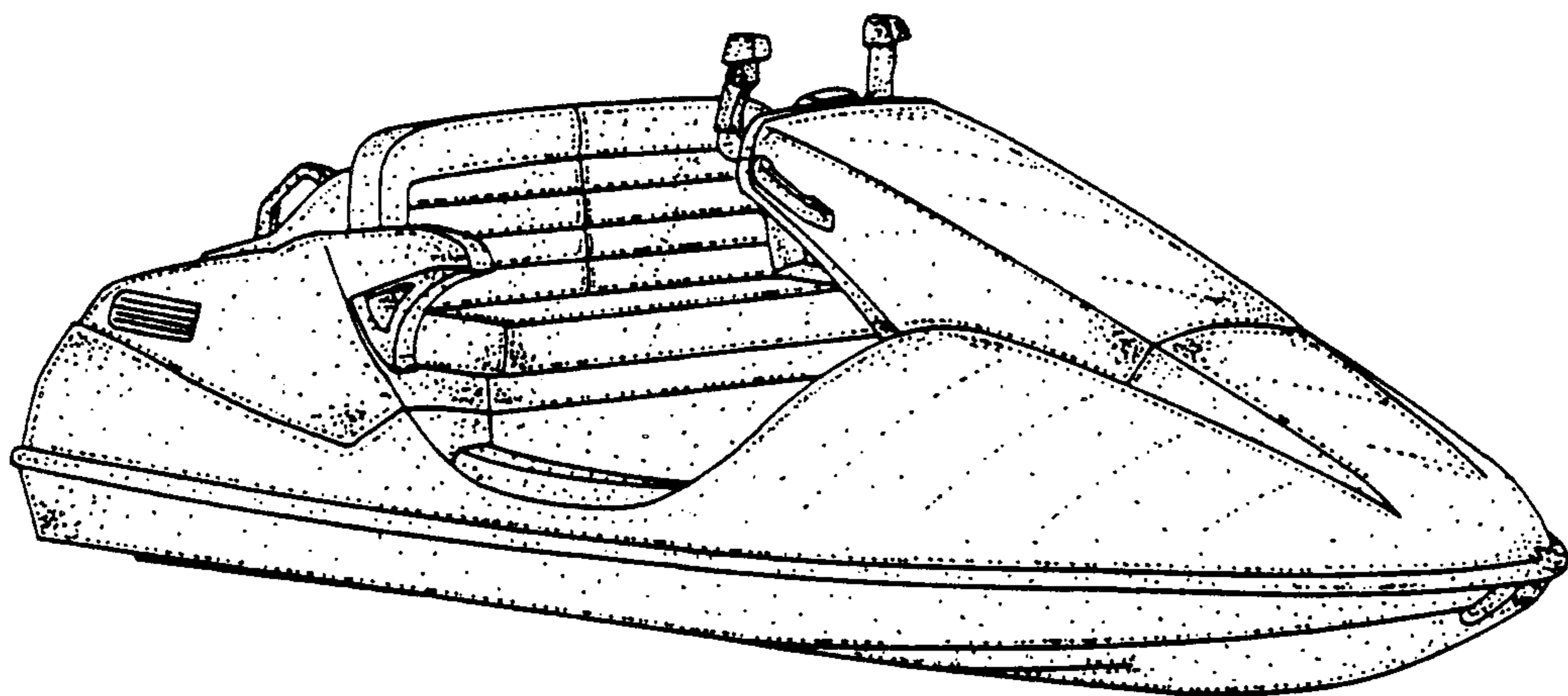


FIG. 9

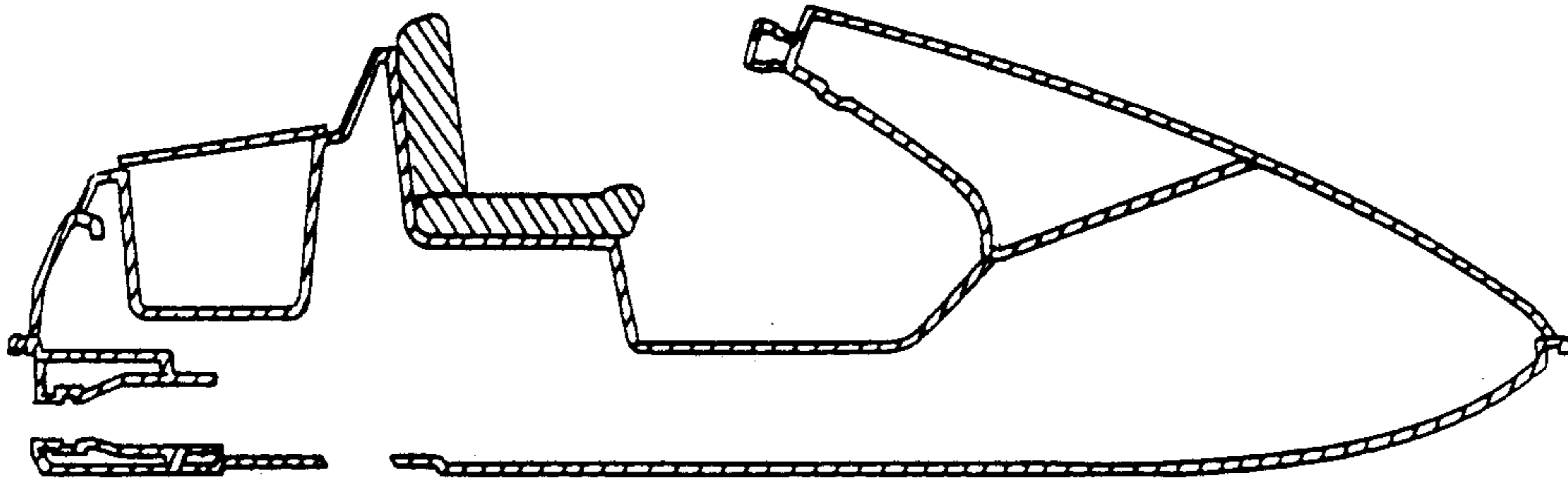


FIG. 10

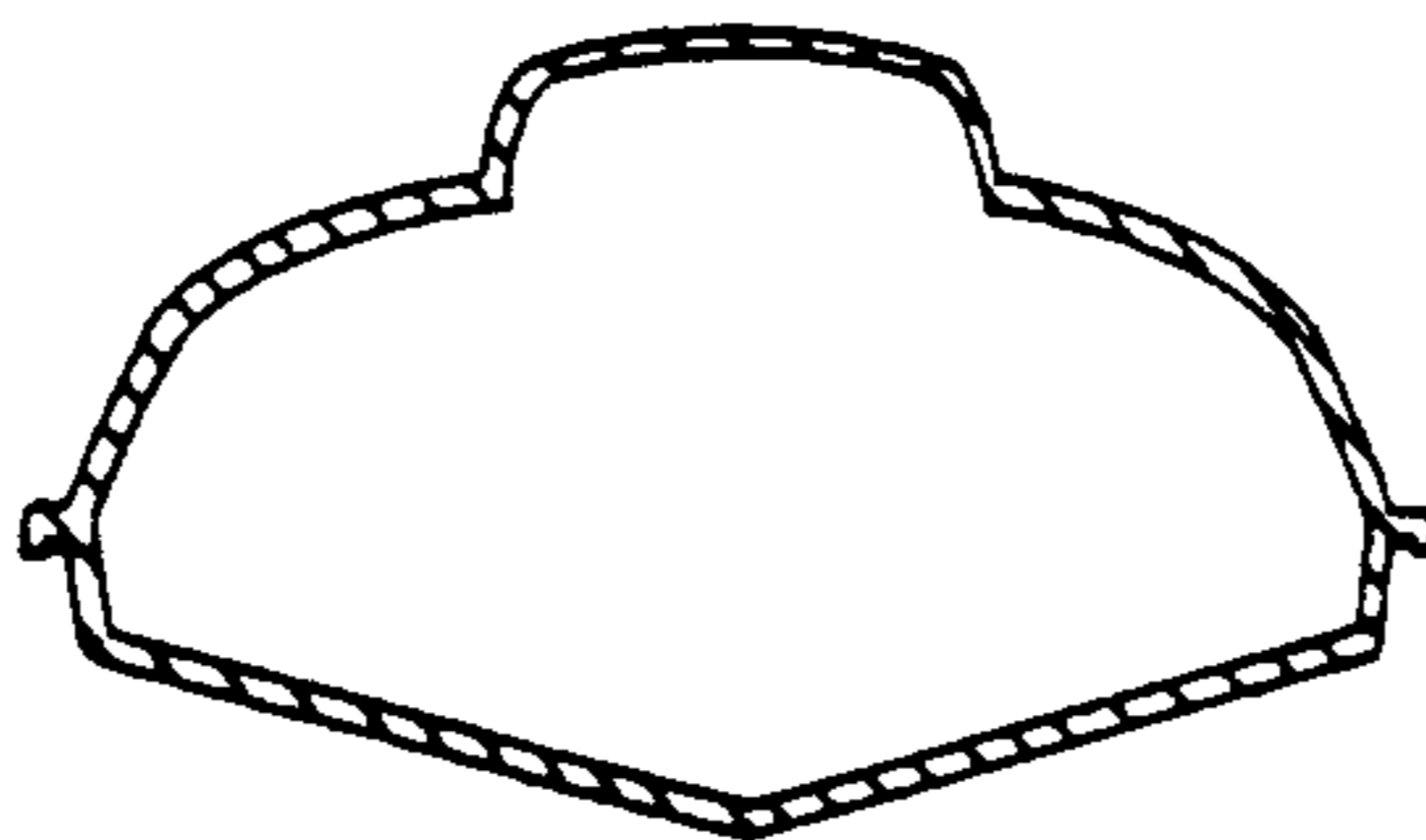


FIG. 11

