

[54] WATERCRAFT

D. 241,328 9/1976 Naito D12/307
3,426,724 2/1969 Jacobson D12/307

[76] Inventors: Lloyd R. Walker, 812 Bart St.,
Hermosa Beach, Calif. 90274; Jun
Ito, 1-6-9, Matsugaoka, Nakano-ku,
Tokyo, Japan

Primary Examiner—Kay H. Chin
Attorney, Agent, or Firm—Lyon & Lyon

[**] Term: 14 Years

[57] CLAIM

The ornamental design for a watercraft, as shown and described.

[21] Appl. No.: 298,505

DESCRIPTION

[22] Filed: Jan. 18, 1989

[52] U.S. Cl. D12/307

[58] Field of Search D12/300, 307, 314;
114/270, 271, 56, 291

FIG. 1 is a front and top perspective view of a watercraft showing my new design;

FIG. 2 is a top and rear perspective view thereof;

FIG. 3 is a front elevational view thereof;

FIG. 4 is a rear elevational view thereof;

FIG. 5 is a right side elevational view thereof;

FIG. 6 is a left side elevational view thereof;

FIG. 7 is a top plan view thereof; and

FIG. 8 is a bottom plan view thereof.

[56] References Cited

U.S. PATENT DOCUMENTS

D. 216,342 12/1969 Lapointe D12/307
D. 237,956 12/1975 Naito D12/314

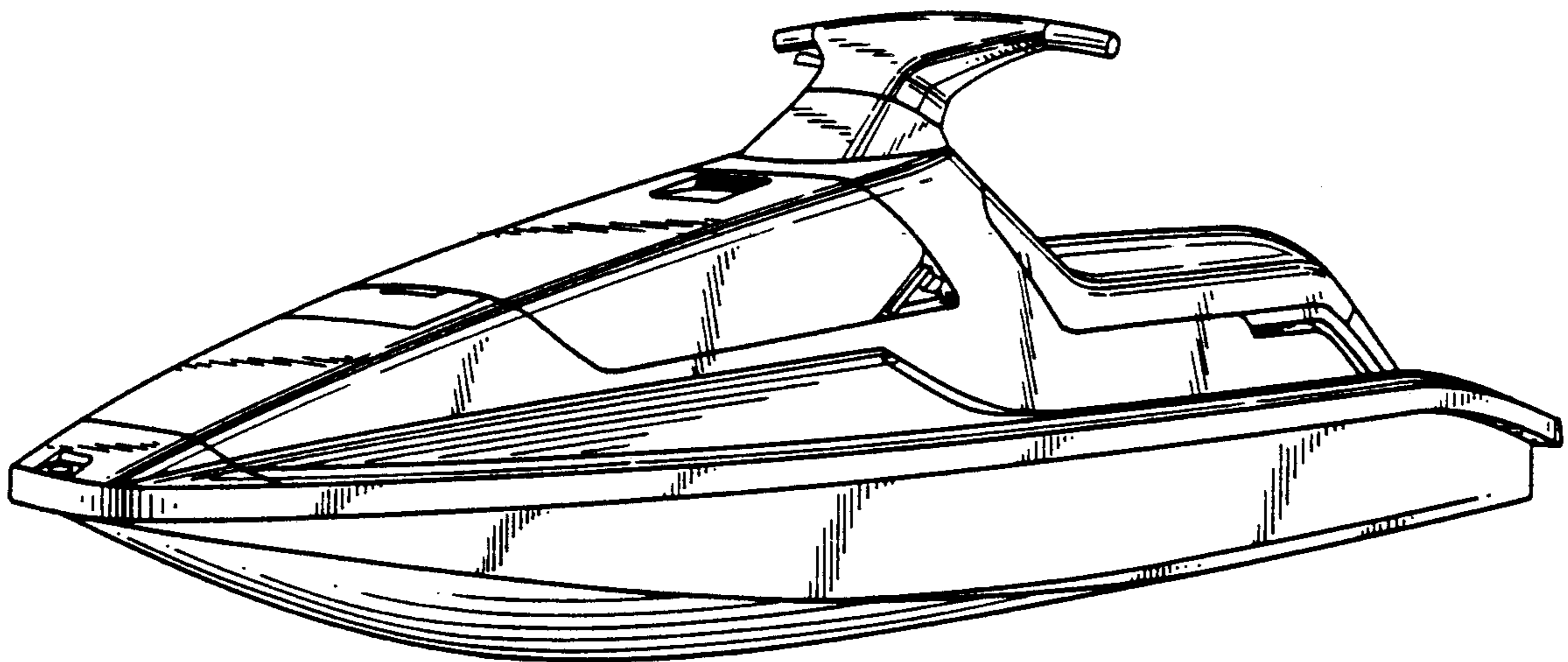


FIG. 1

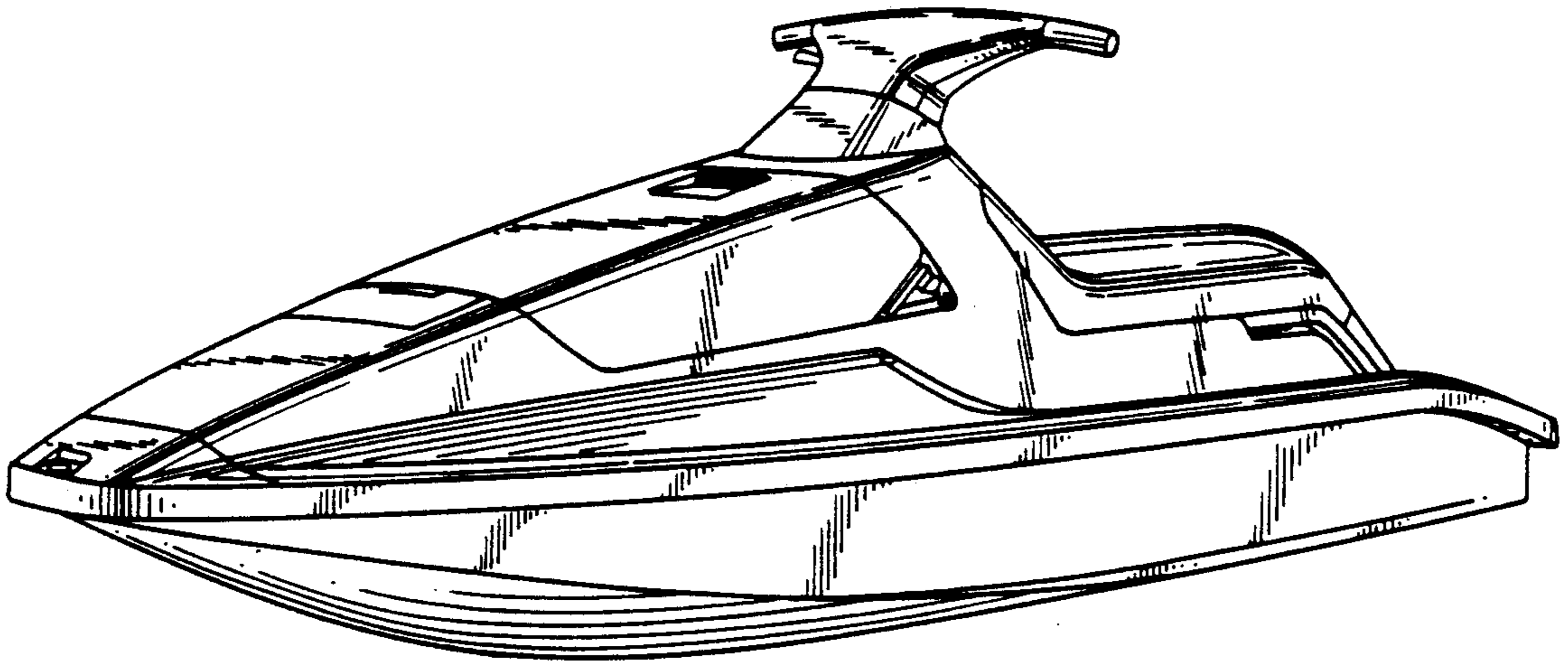


FIG. 2

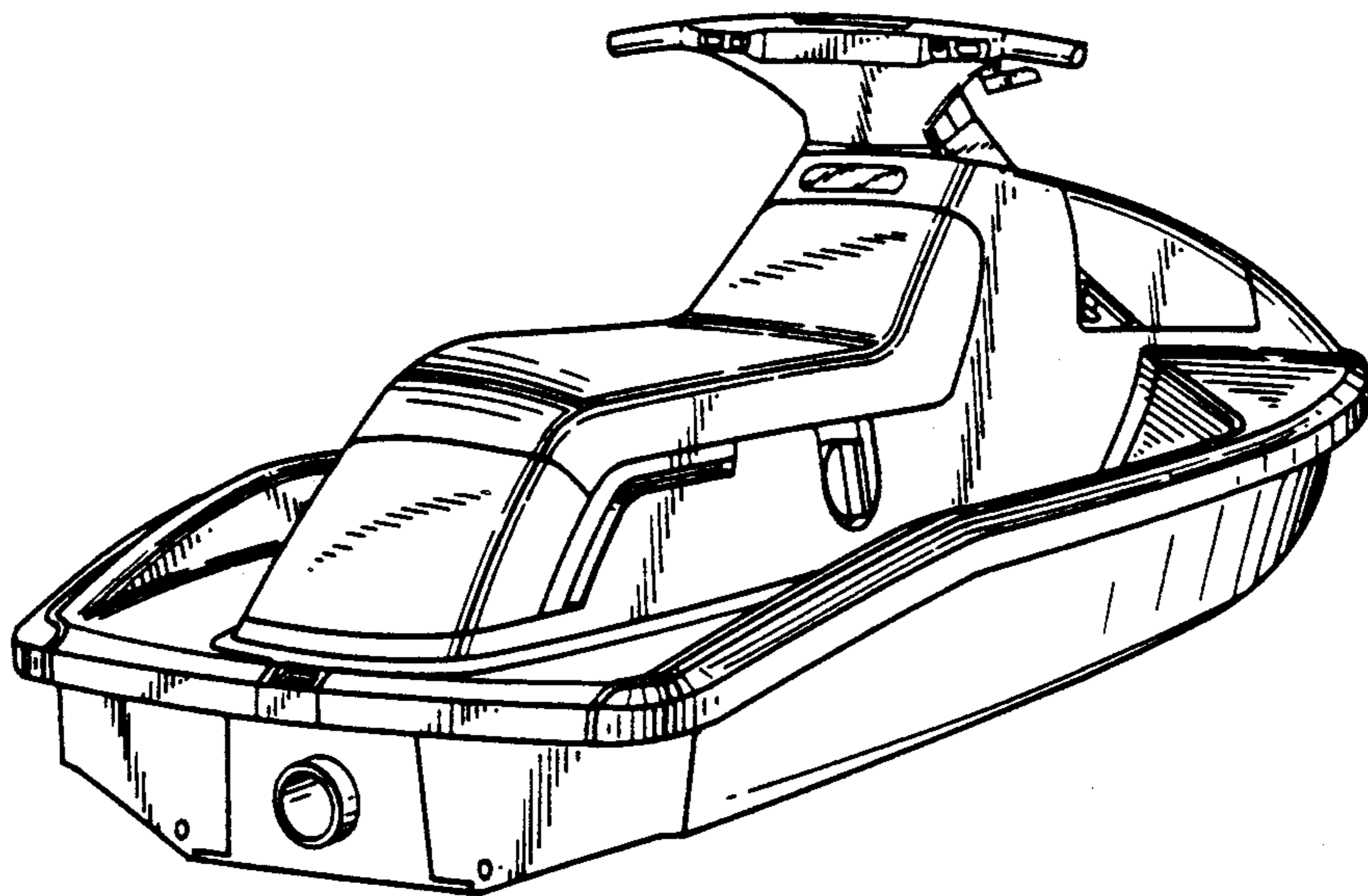


FIG. 3

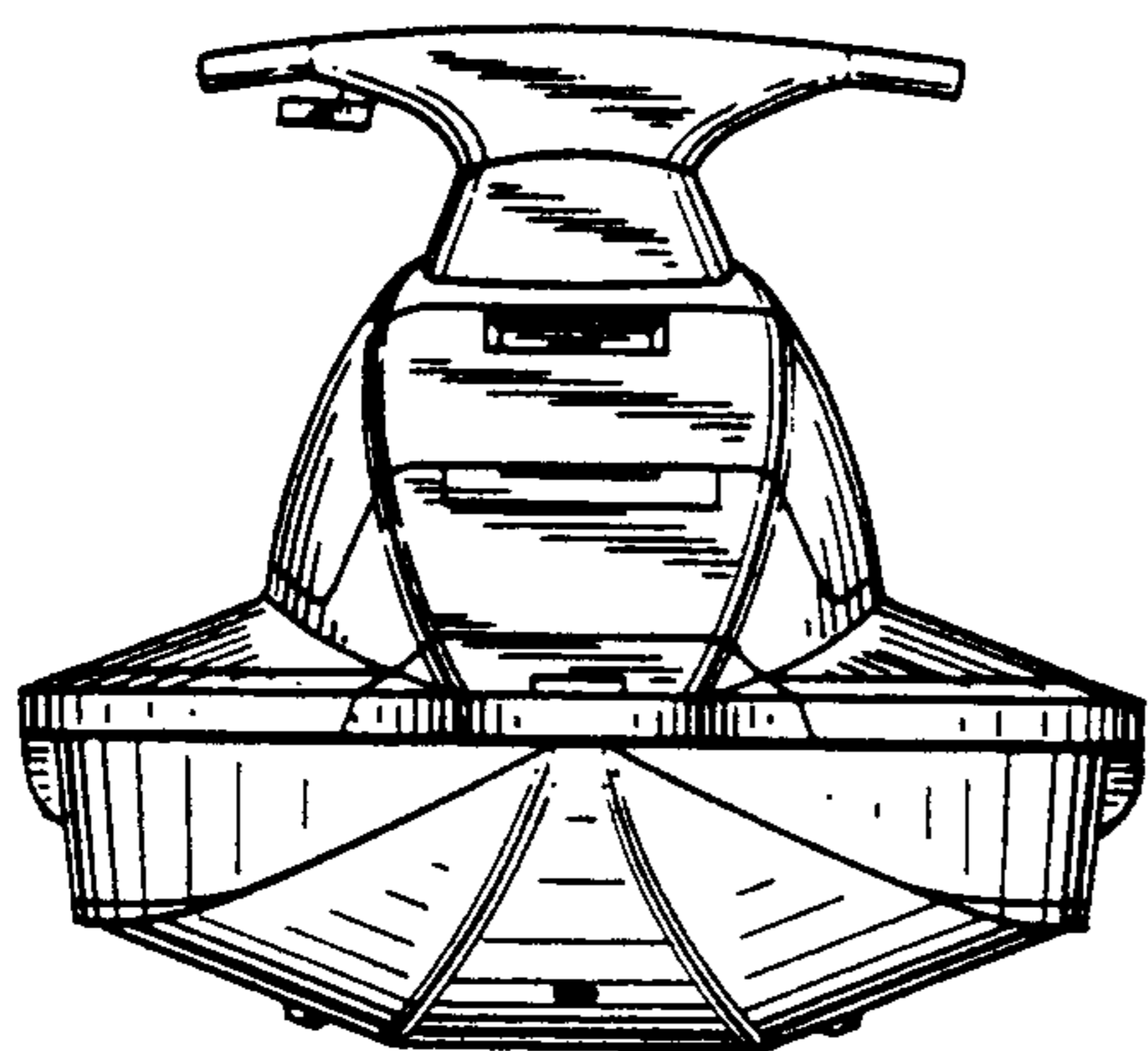


FIG. 4

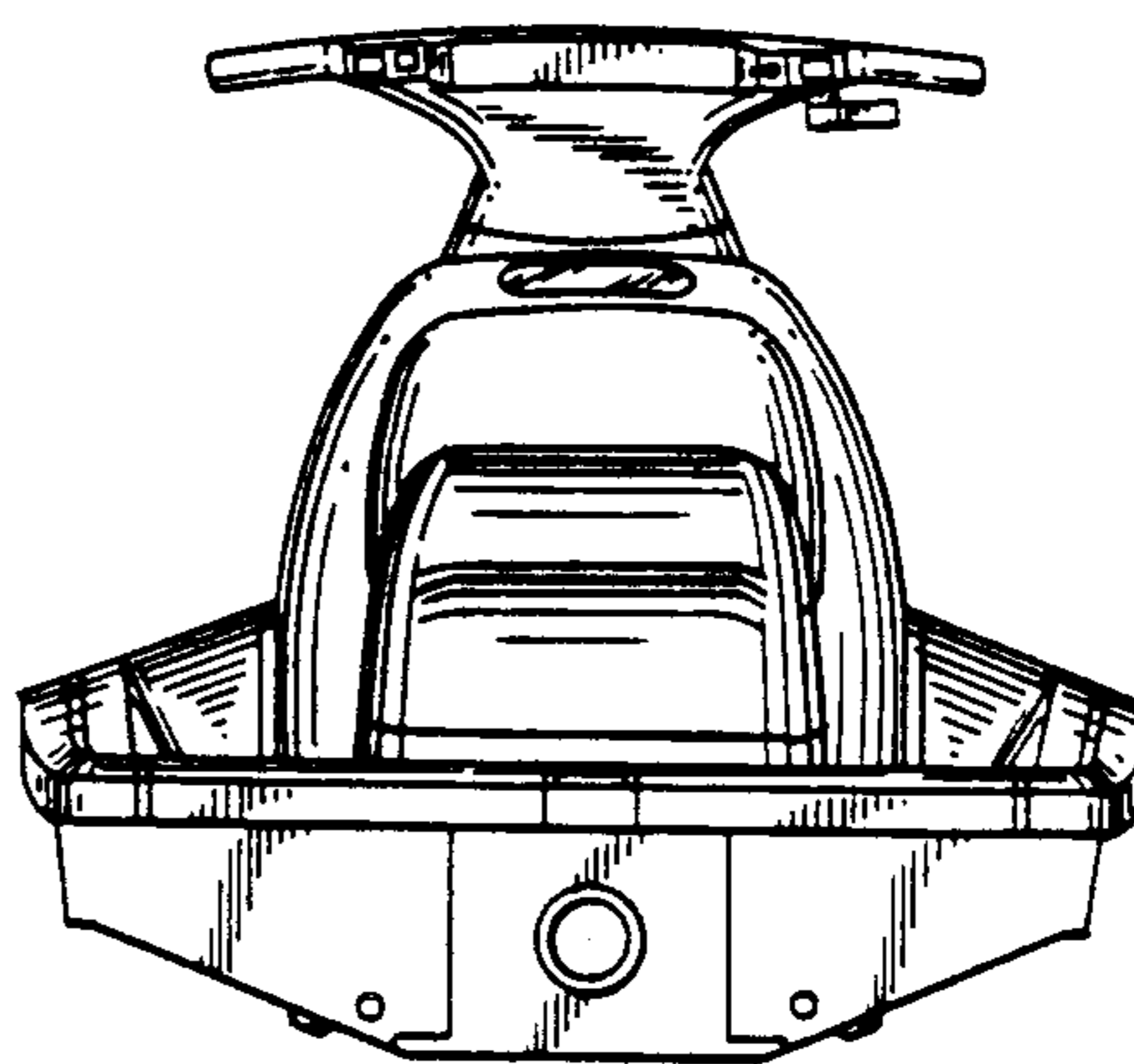


FIG. 5

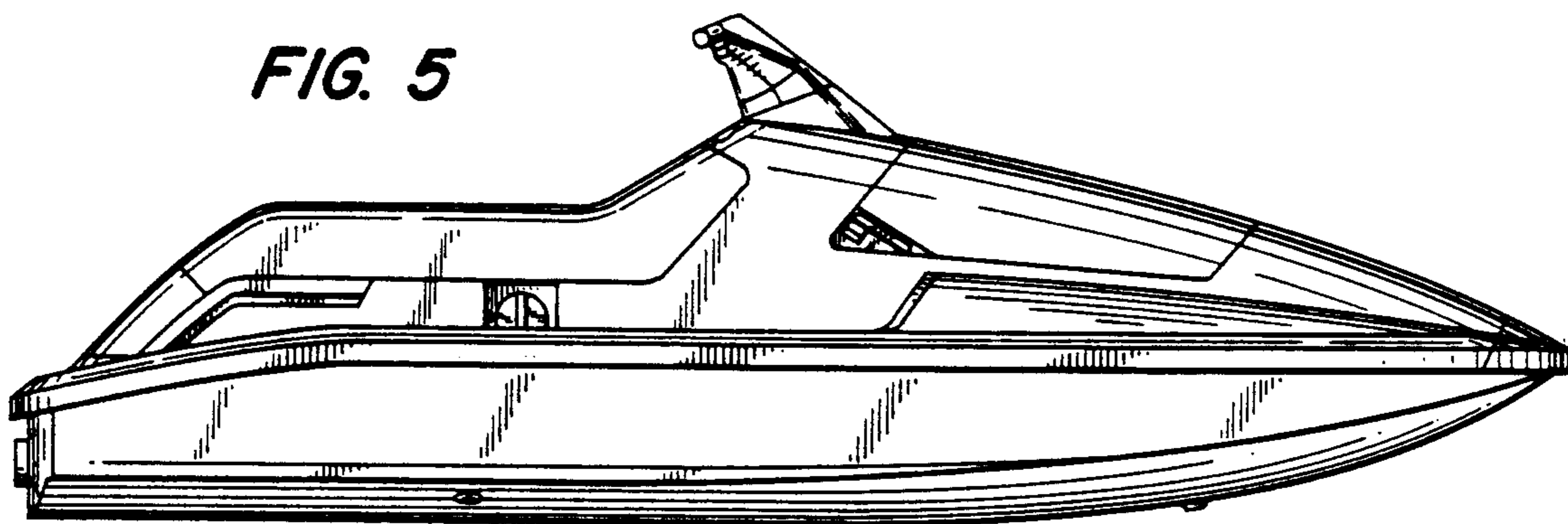


FIG. 6

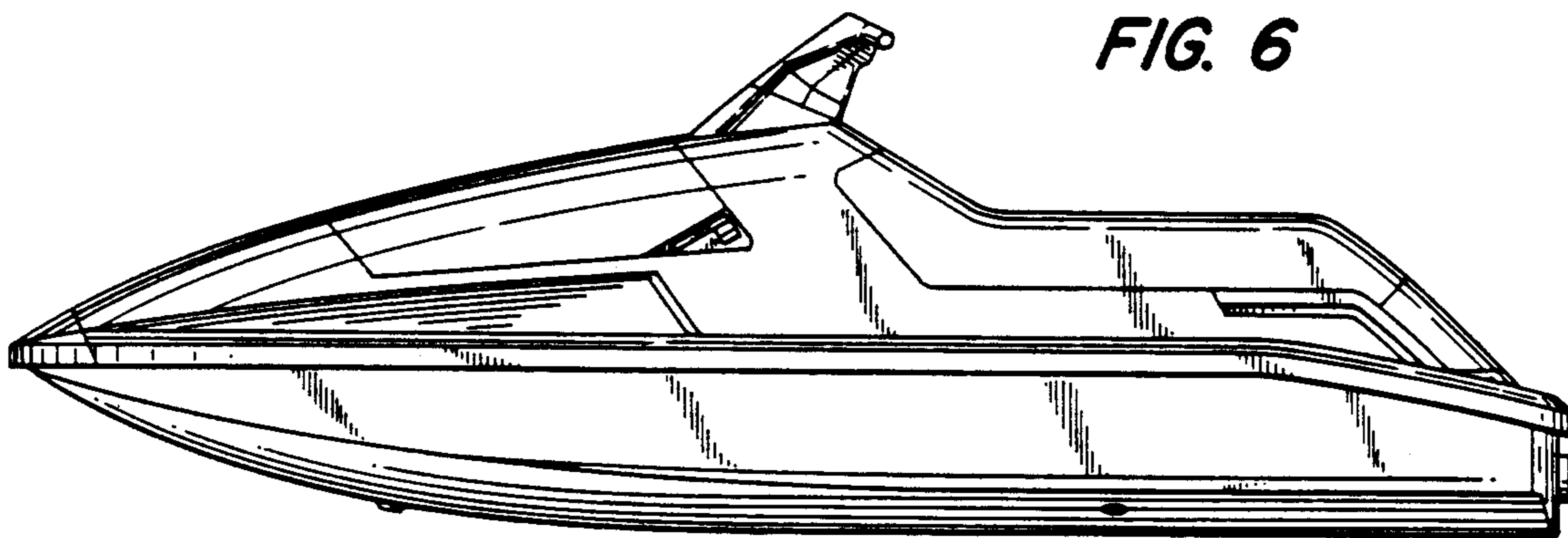


FIG. 7

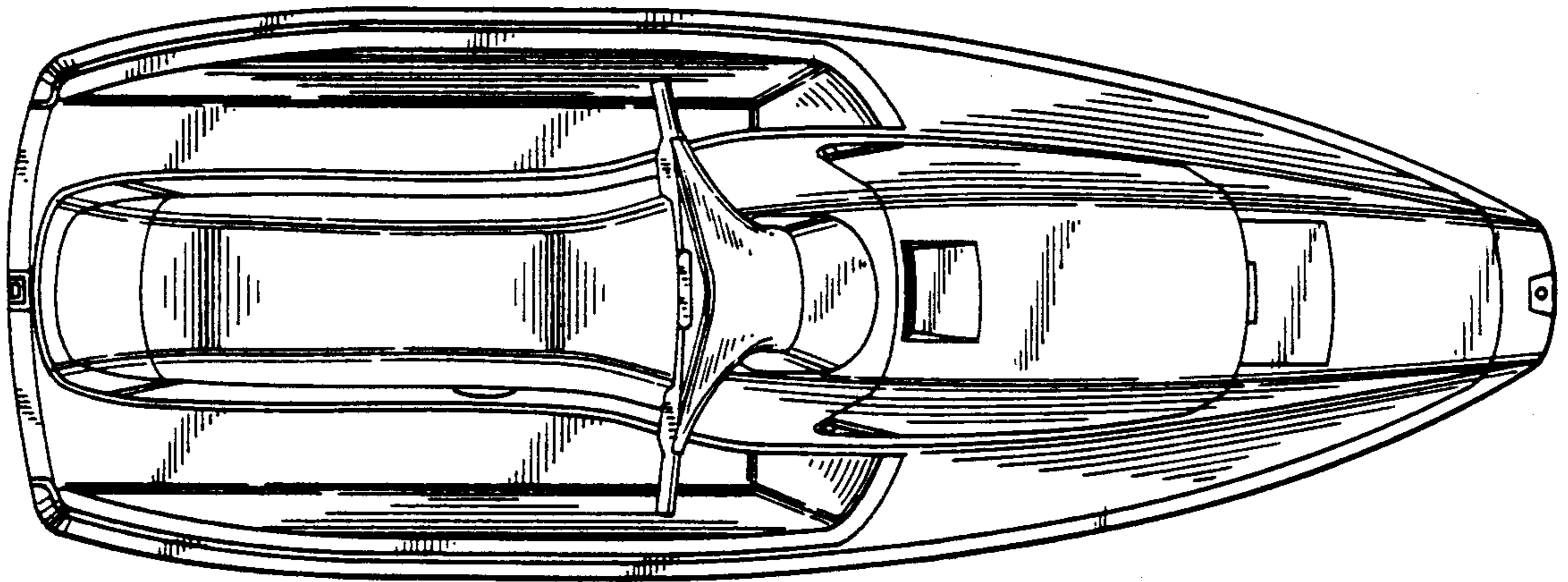


FIG. 8

