

[54] CAMBER AND CASTOR ADJUSTMENT MEMBER FOR A VEHICLE

[75] Inventors: Jimmy D. Berry; Robert M. Allman, both of Longmont, Colo.

[73] Assignee: Specialty Products, Inc., Longmont, Colo.

[**] Term: 14 Years

[21] Appl. No.: 385,916

[22] Filed: Jul. 27, 1989

[52] U.S. Cl. D12/159

[58] Field of Search D12/159; 280/661

[56] References Cited

U.S. PATENT DOCUMENTS

3,526,413	9/1970	Muller	280/661
4,695,073	9/1987	Pettibone et al.	280/661
4,795,187	1/1989	Ingalls	280/661
4,831,744	5/1989	Specktor et al.	280/661
4,863,187	9/1989	Artz	280/661

OTHER PUBLICATIONS

"Front End Service Manual", Moog Automotive, Inc., St. Louis, Mo. (issued Mar. 1982), p. 114.

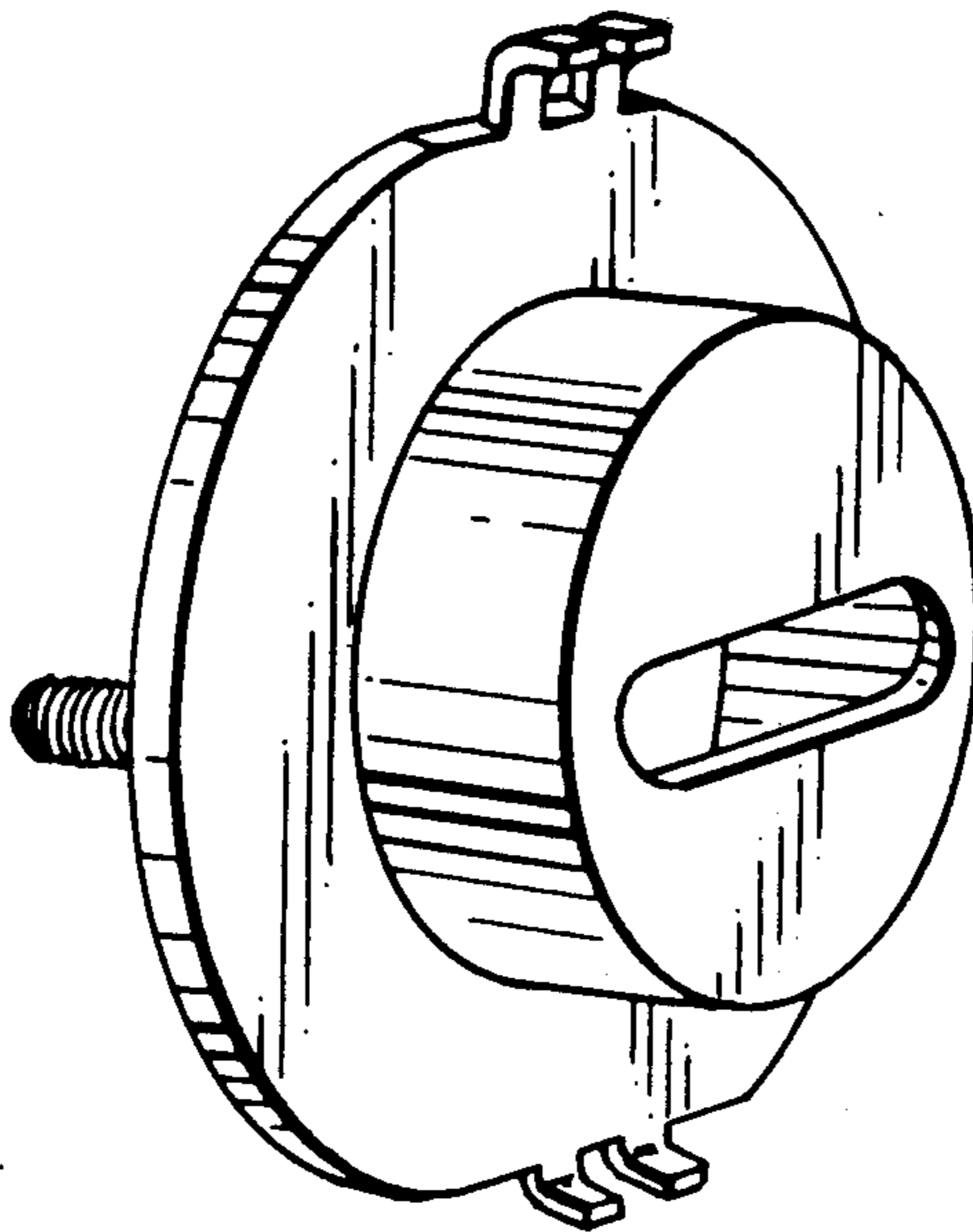
Primary Examiner—James M. Gandy
Assistant Examiner—Melody Brown
Attorney, Agent, or Firm—William P. O'Meara

[57] CLAIM

The ornamental design for a camber and castor adjustment member for a vehicle, as shown and described.

DESCRIPTION

FIG. 1 is a perspective view of a camber and castor adjustment member for a vehicle showing my new design;
FIG. 2 is a top plan view thereof;
FIG. 3 is a right side elevation view thereof, of which the left side elevation view is a mirror image;
FIG. 4 is a bottom plan view thereof; and
FIG. 5 is a front elevation view thereof, of which the rear elevation view is a mirror image.



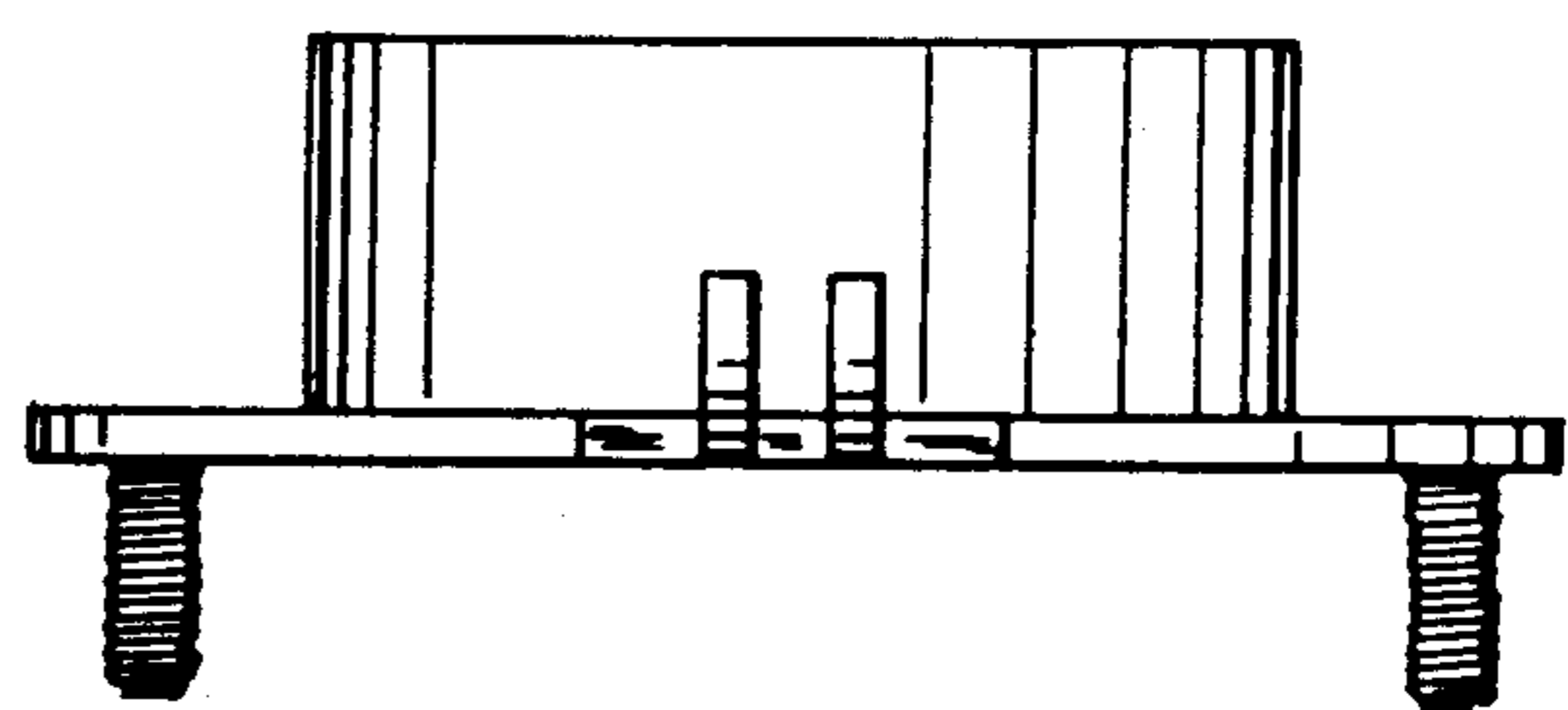
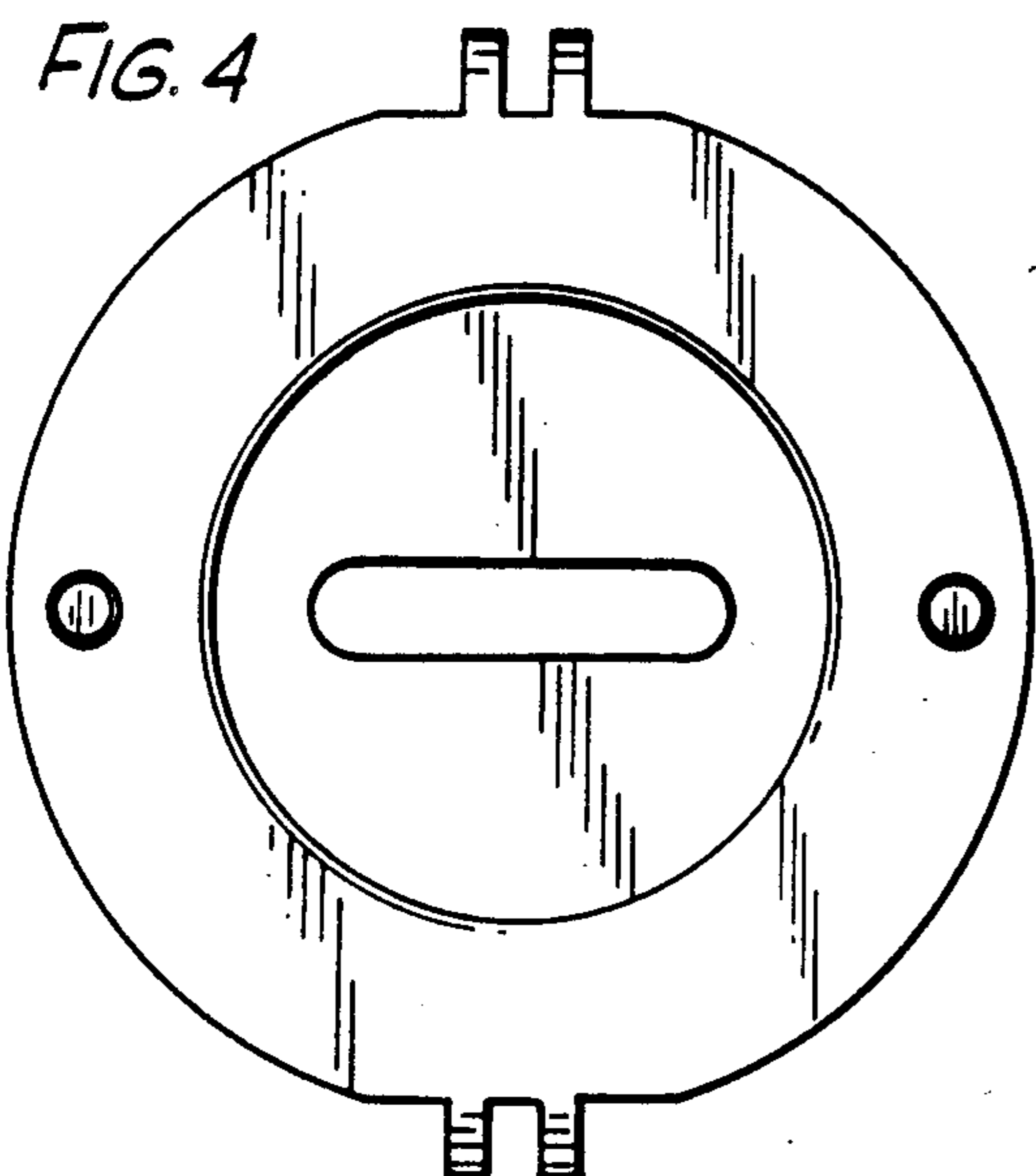
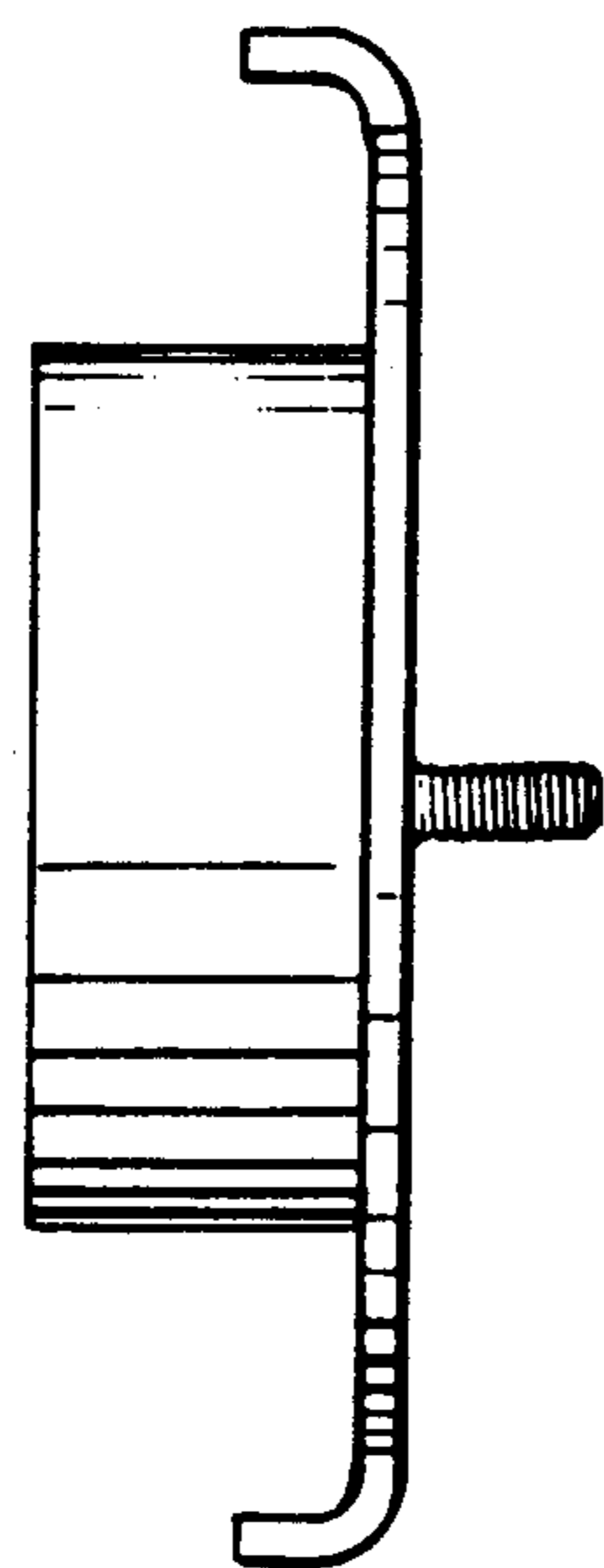
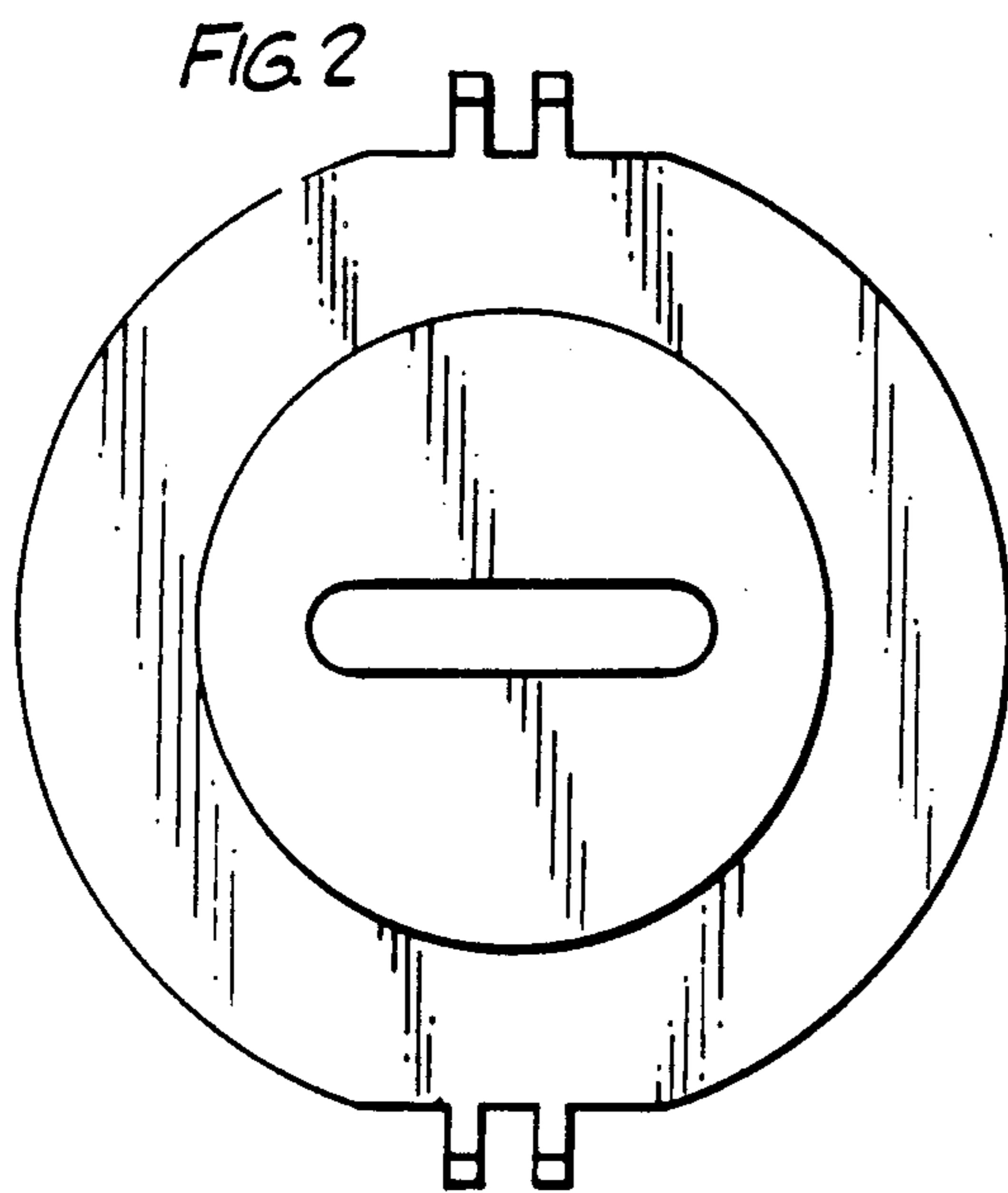
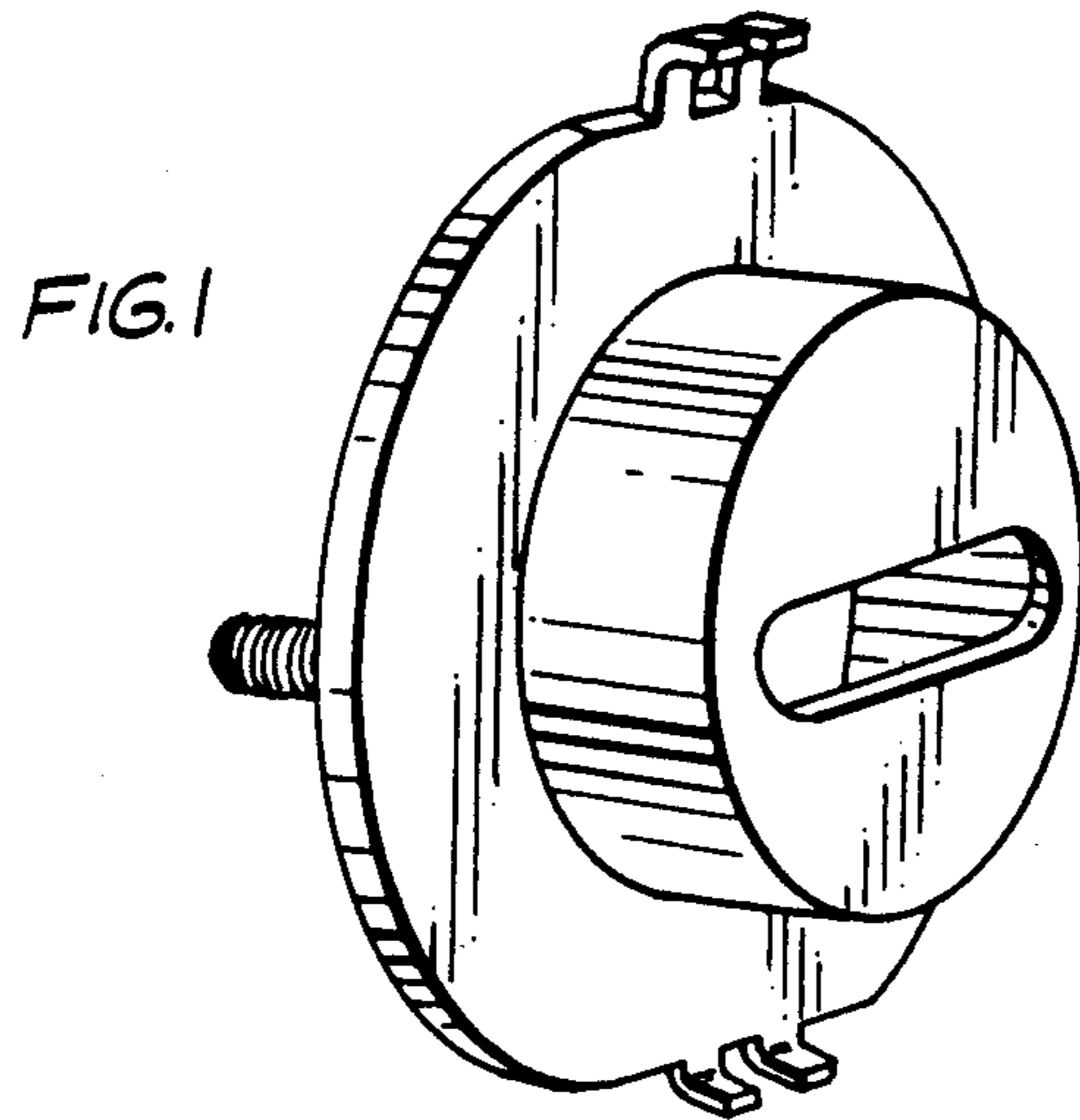


FIG. 5