

[54] **BROOCH**

[75] **Inventor: Paolo Bulgari, Rome, Italy**

[73] **Assignee: Partecipazioni Bulgari S.p.A., Rome, Italy**

[**] **Term: 14 Years**

[21] **Appl. No.: 218,049**

[22] **Filed: Jul. 13, 1988**

[30] **Foreign Application Priority Data**

Apr. 14, 1988 [IB] Int'l Pat. Institute DM/010065
[52] **U.S. Cl. D11/42; D11/75**
[58] **Field of Search D11/79, 75, 1-2, D11/40-43; 63/1.1, 2, 18, 20, 21, 23, 28**

[56] **References Cited**

U.S. PATENT DOCUMENTS

D. 266,912 11/1982 Barr D11/79
2,350,714 6/1944 Bazner 63/2

Primary Examiner—Louis S. Zarfes
Assistant Examiner—R. T. Seifert
Attorney, Agent, or Firm—Barnes, Kisselle, Raisch, Choate, Whittemore & Hulbert

[57] **CLAIM**

The ornamental design for a brooch, as shown and described.

DESCRIPTION

FIG. 1 is a front elevational view of a brooch showing my new design;
FIG. 2 is a side elevational view;
FIG. 3 is a rear elevational view;
FIG. 4 is a top plan view; and
FIG. 5 is a bottom plan view.

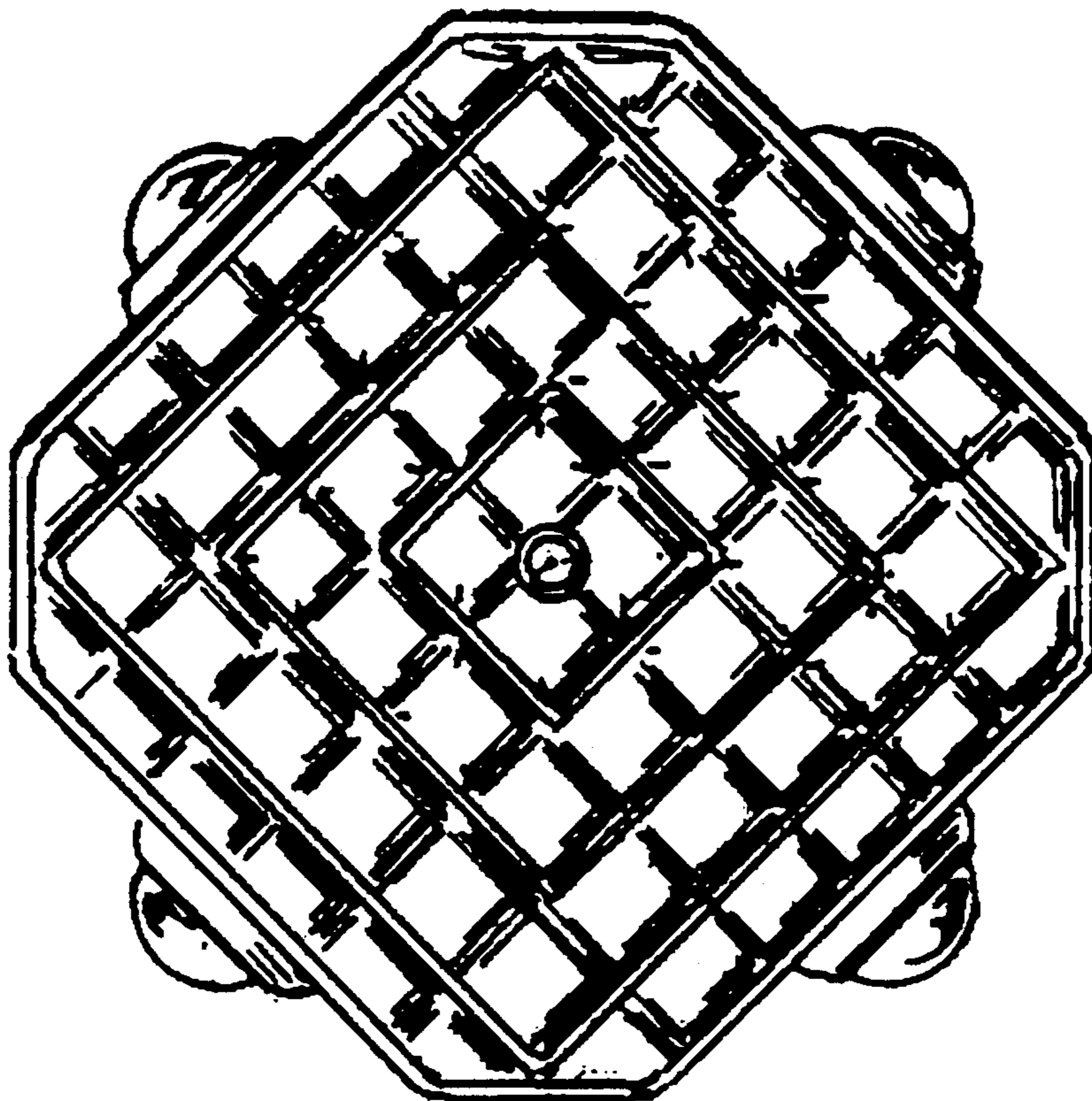


FIG.1

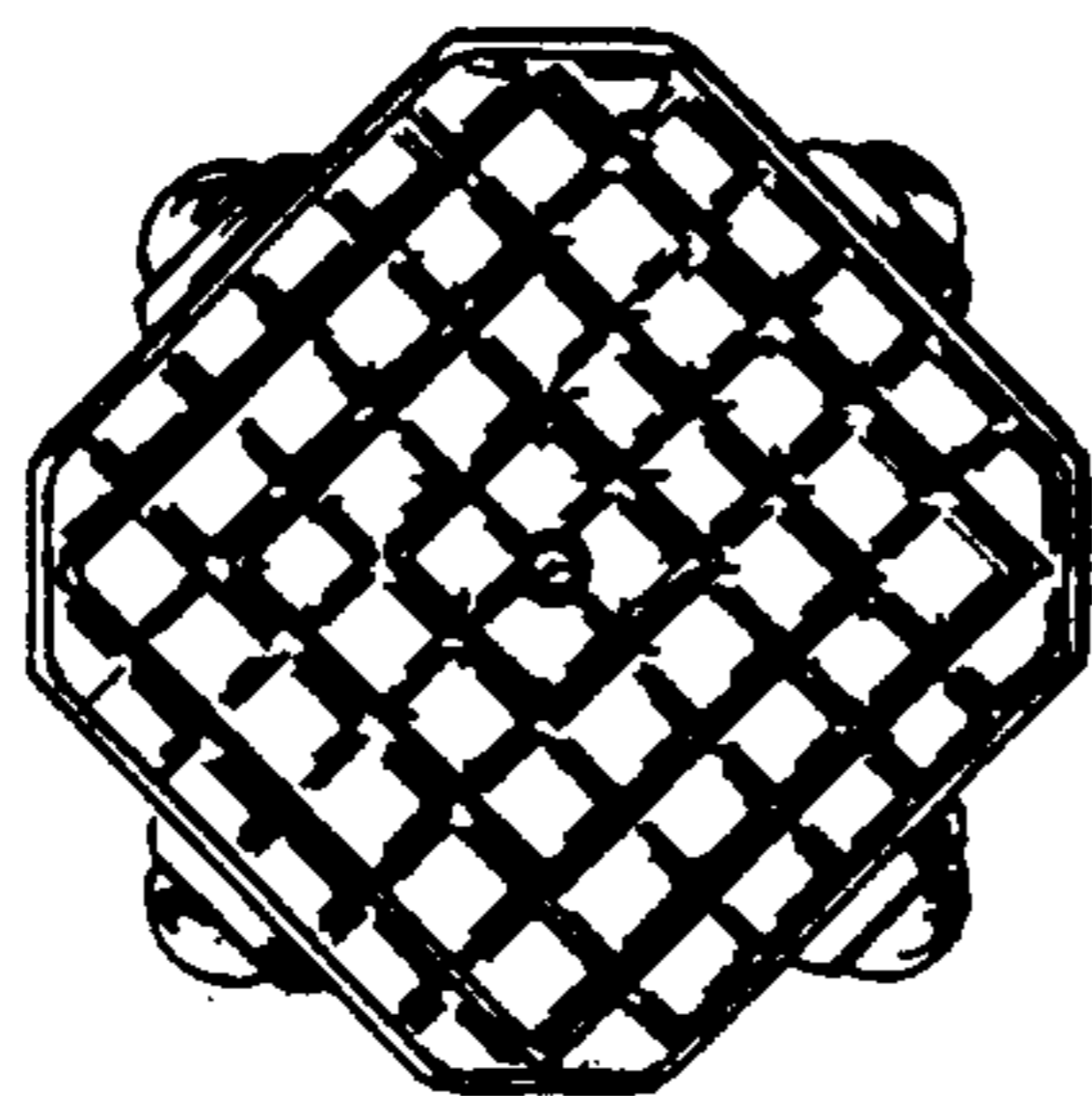


FIG.2

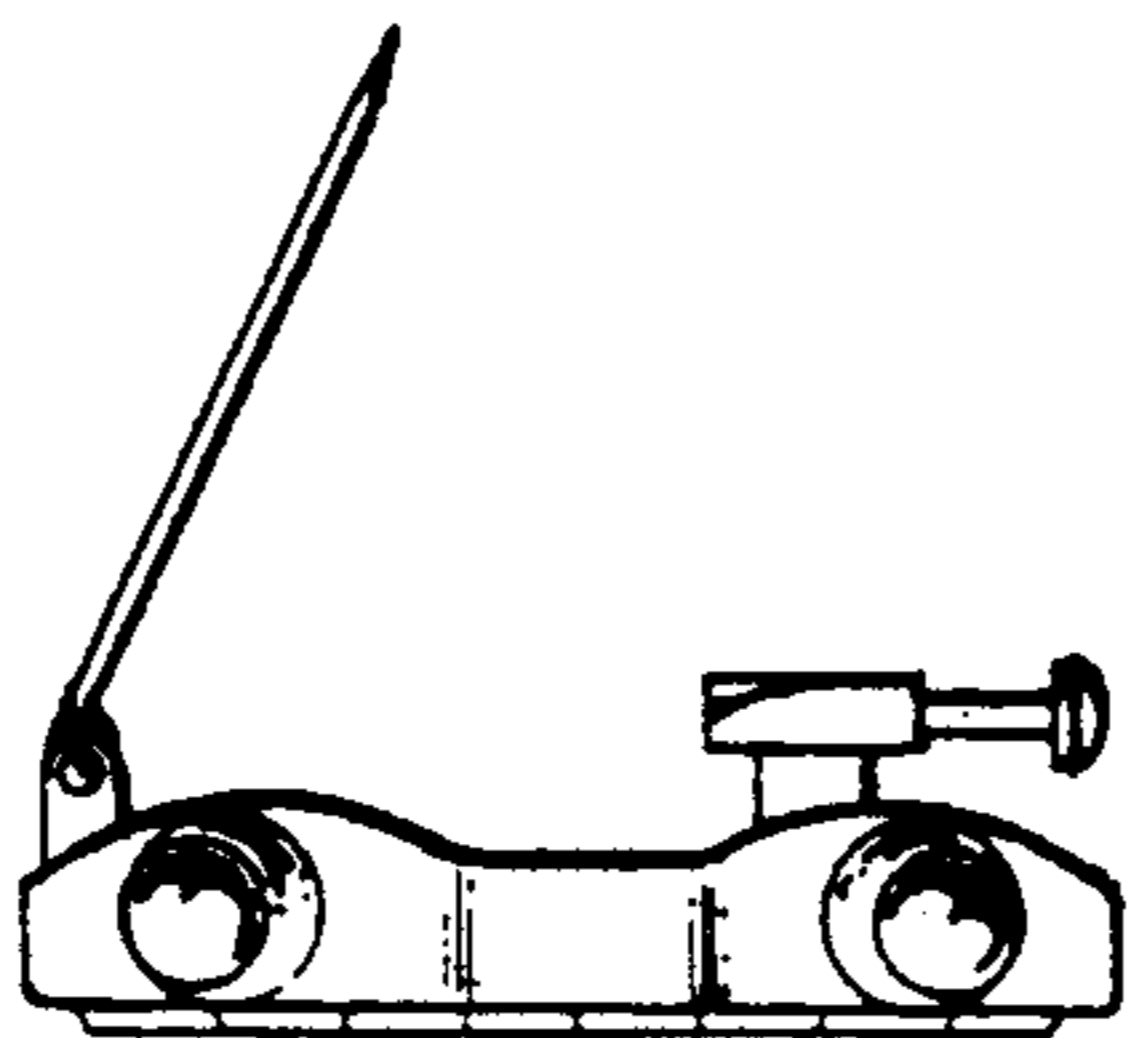


FIG.3

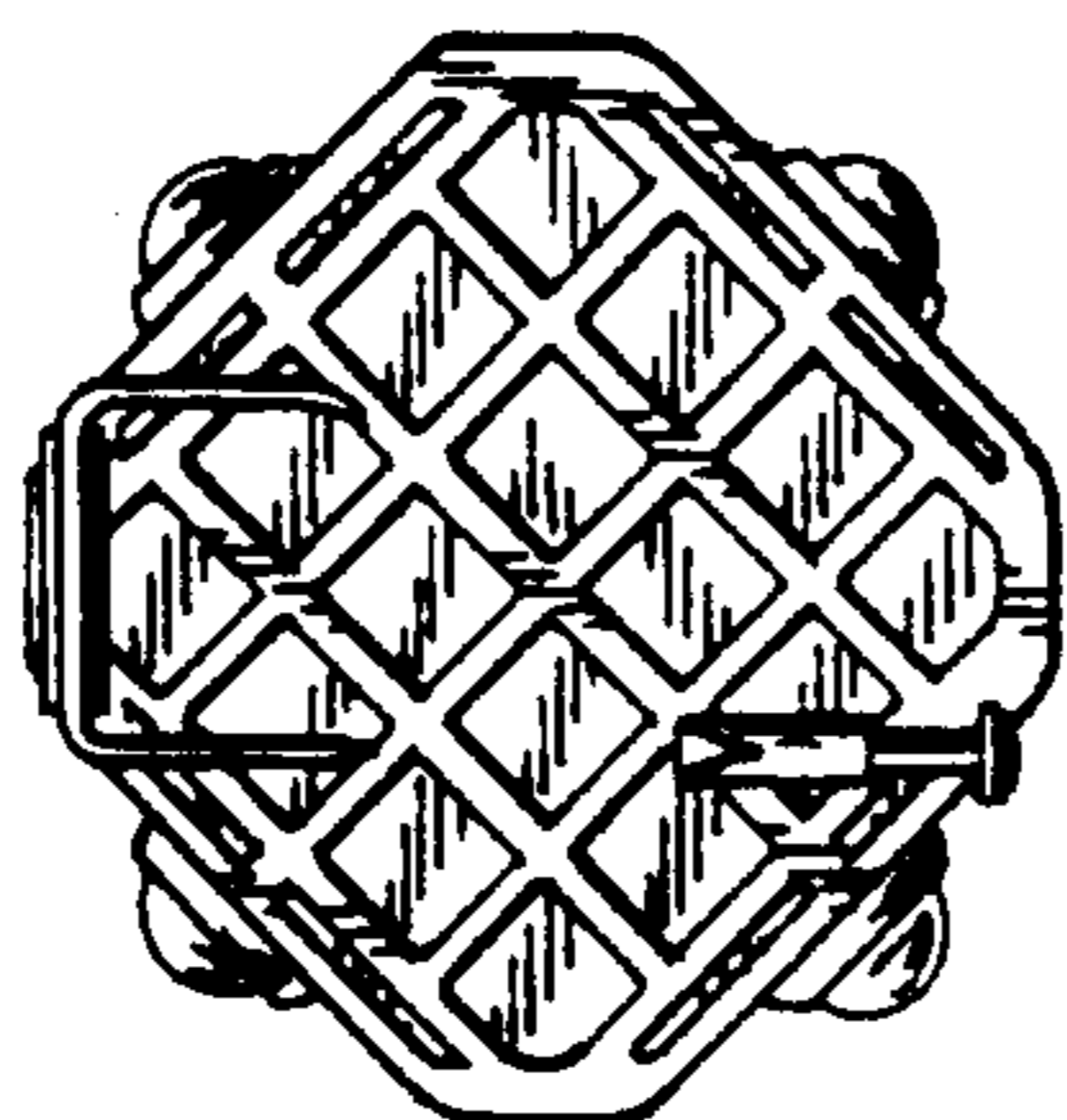


FIG. 4

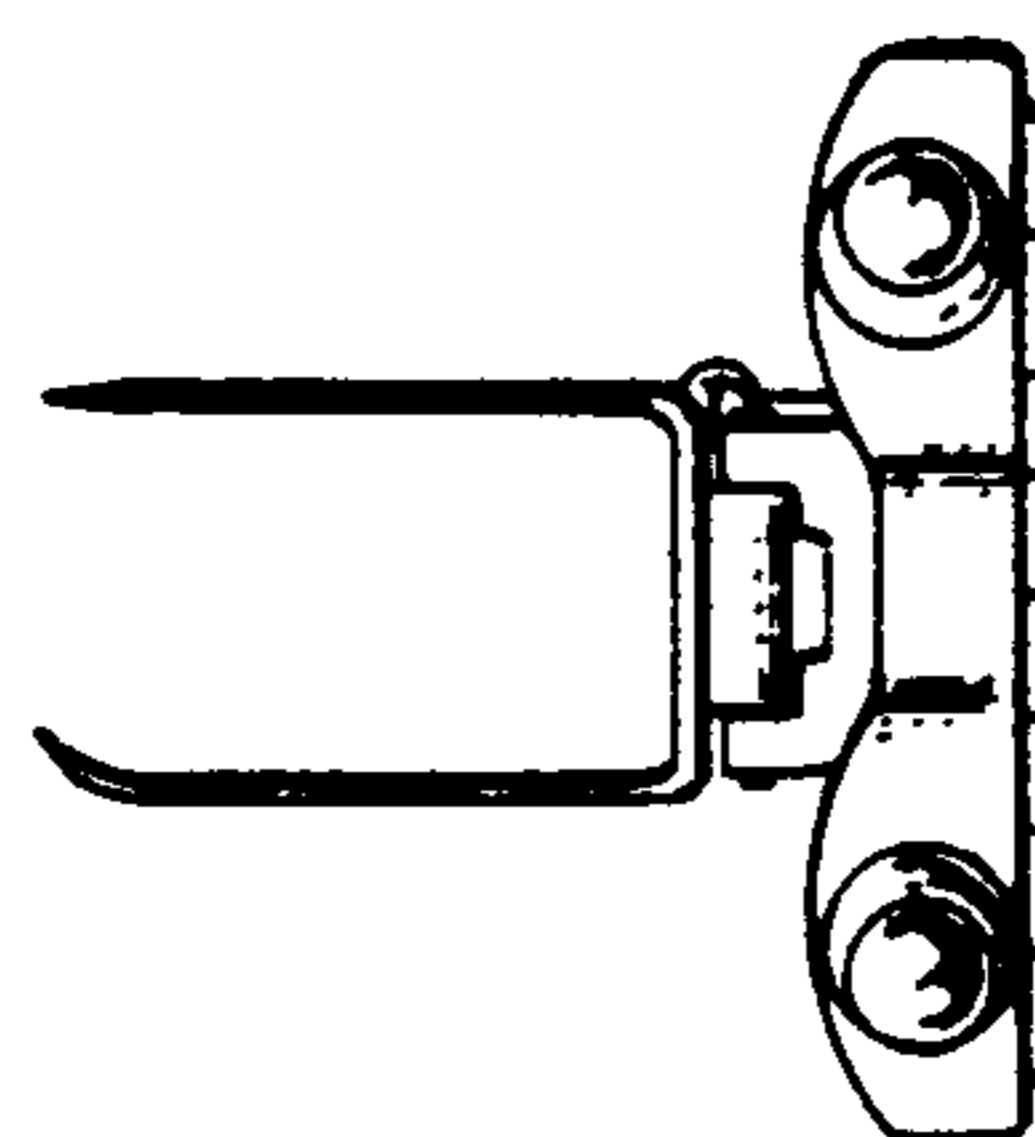


FIG.5

