

[54] **ILLUMINATED CHANGEABLE WARNING SIGNAL**  
 [76] **Inventor: Jack A. DeCaro, 1109 N. Jackson, Tacoma, Wash. 98406**  
 [\*\*] **Term: 14 Years**  
 [21] **Appl. No.: 190,946**  
 [22] **Filed: May 6, 1988**  
 [52] **U.S. Cl. .... D10/114**  
 [58] **Field of Search ..... D26/37, 38, 40; D10/114; 362/157, 158, 183, 189, 191, 196, 197, 200-205; 340/321; 40/555, 586, 612**

3,279,110 10/1966 Lelicoff ..... 40/555  
 3,435,412 3/1969 Bohrer, Sr. .  
 3,810,091 5/1974 Hoover ..... 340/321 X  
 4,042,919 8/1977 Patty ..... 340/321  
 4,090,186 5/1978 Renner ..... 340/321  
 4,475,476 10/1984 Howard .

*Primary Examiner*—Susan J. Lucas  
*Attorney, Agent, or Firm*—James F. Leggett

[56] **References Cited**

**U.S. PATENT DOCUMENTS**

D. 185,605 6/1959 Kaiser .  
 D. 196,622 10/1963 Laudi .  
 D. 224,628 8/1972 Lamb .  
 D. 231,493 4/1974 Allington ..... D10/114  
 D. 231,909 6/1974 Allington ..... D10/114  
 D. 257,614 12/1980 Branner et al. .... D10/114  
 D. 274,317 6/1984 Nelson ..... D10/114  
 1,263,072 4/1918 Klink .  
 1,388,060 8/1921 Ricigliano .  
 1,583,410 5/1926 Mastin .  
 3,139,611 6/1964 Fleming ..... 340/321

[57] **CLAIM**

The ornamental design for an illuminated changeable warning signal, as shown and described.

**DESCRIPTION**

FIG. 1 is a front perspective view of an illuminated changeable warning signal showing my new design;  
 FIG. 2 is a front elevational view thereof;  
 FIG. 3 is a rear elevational view thereof;  
 FIG. 4 is the side elevational view thereof, the opposite side being a mirror image;  
 FIG. 5 is a top plan view thereof;  
 FIG. 6 is a bottom plan view thereof;  
 FIG. 7 is a front perspective view thereof with the rear panel being pivoted over to the front of the signal. When this "slow" signal is pivoted to completely cover the front "stop" signal the front and rear faces of the signal both read "slow" as shown in FIG. 3.

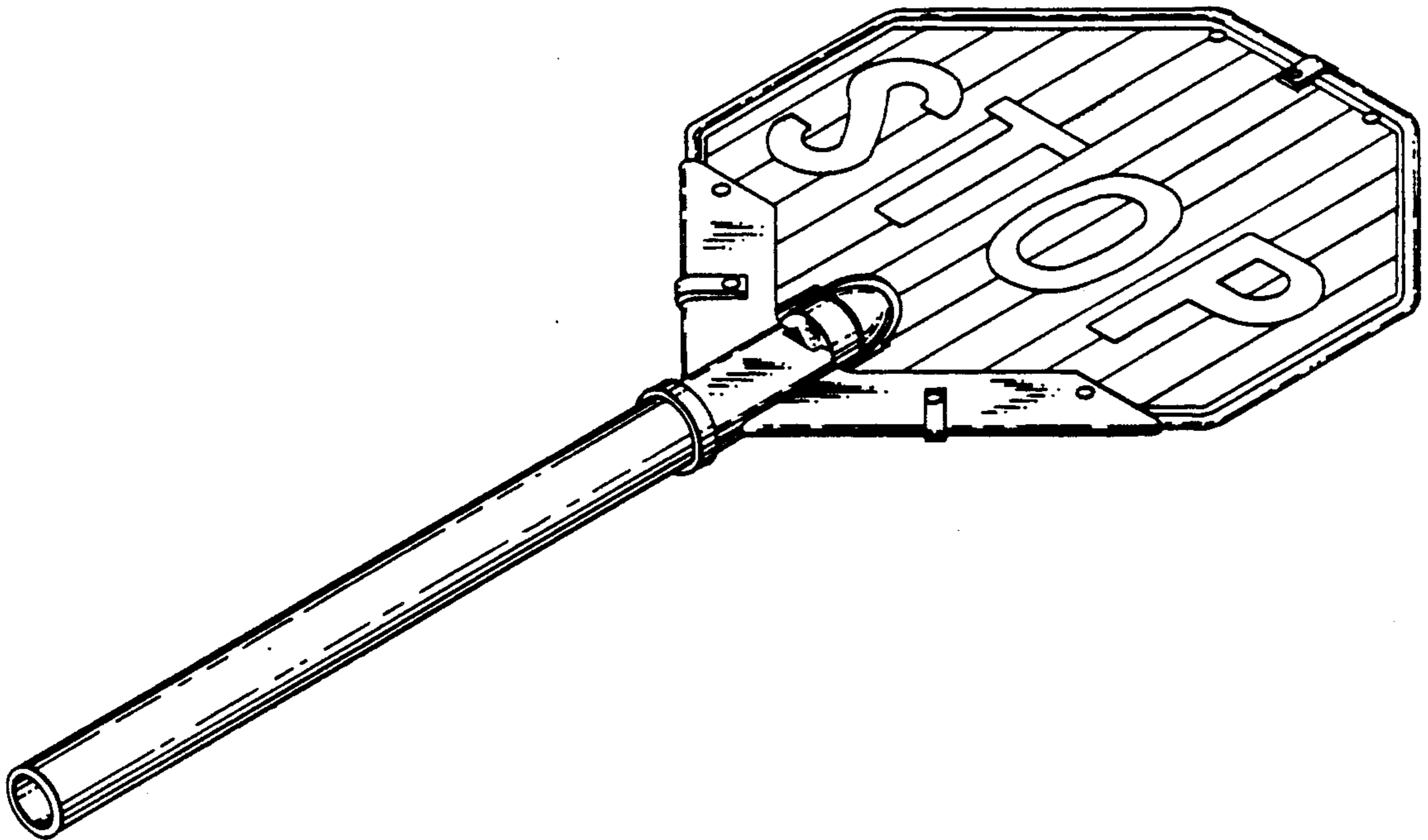


FIG. 1

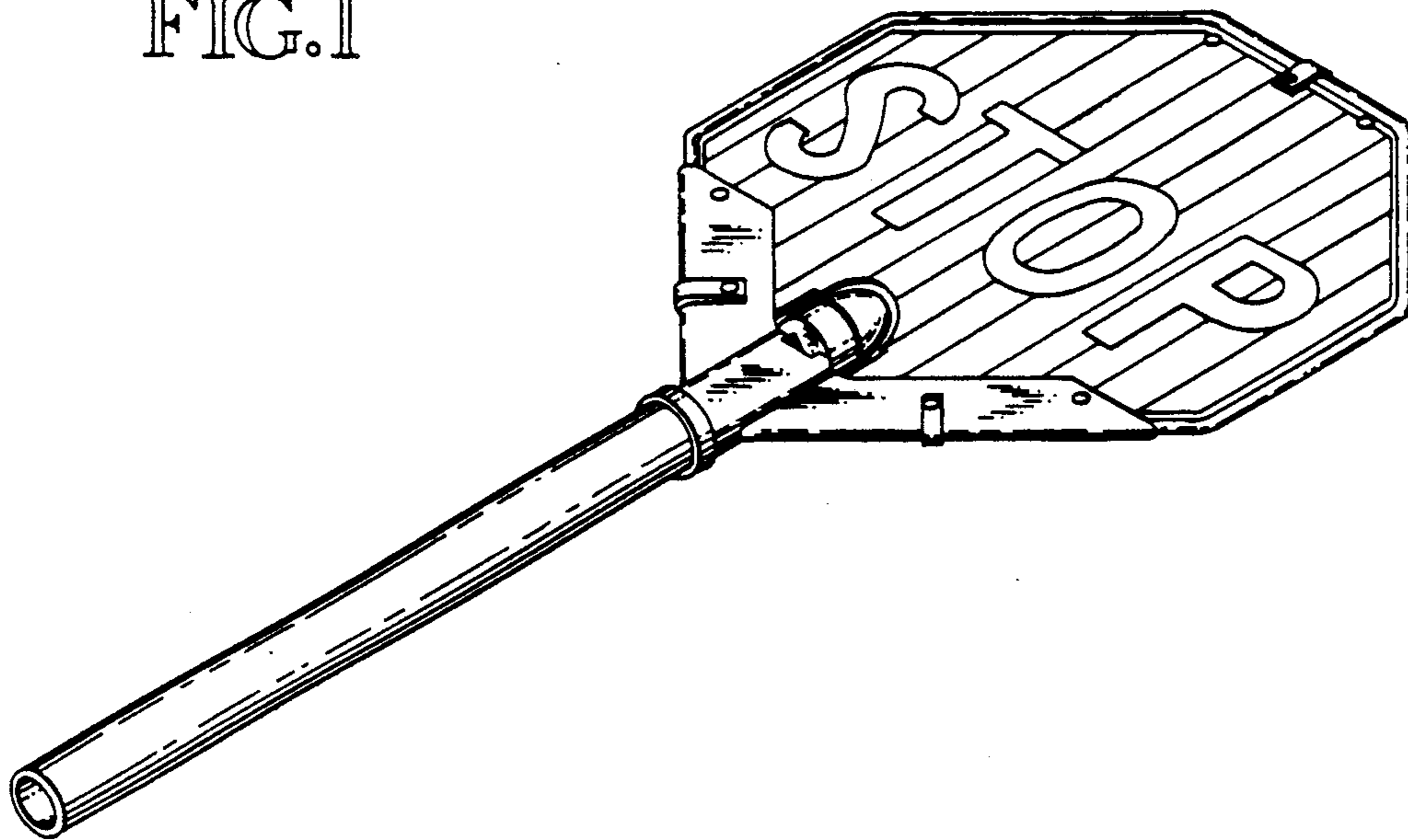


FIG. 7

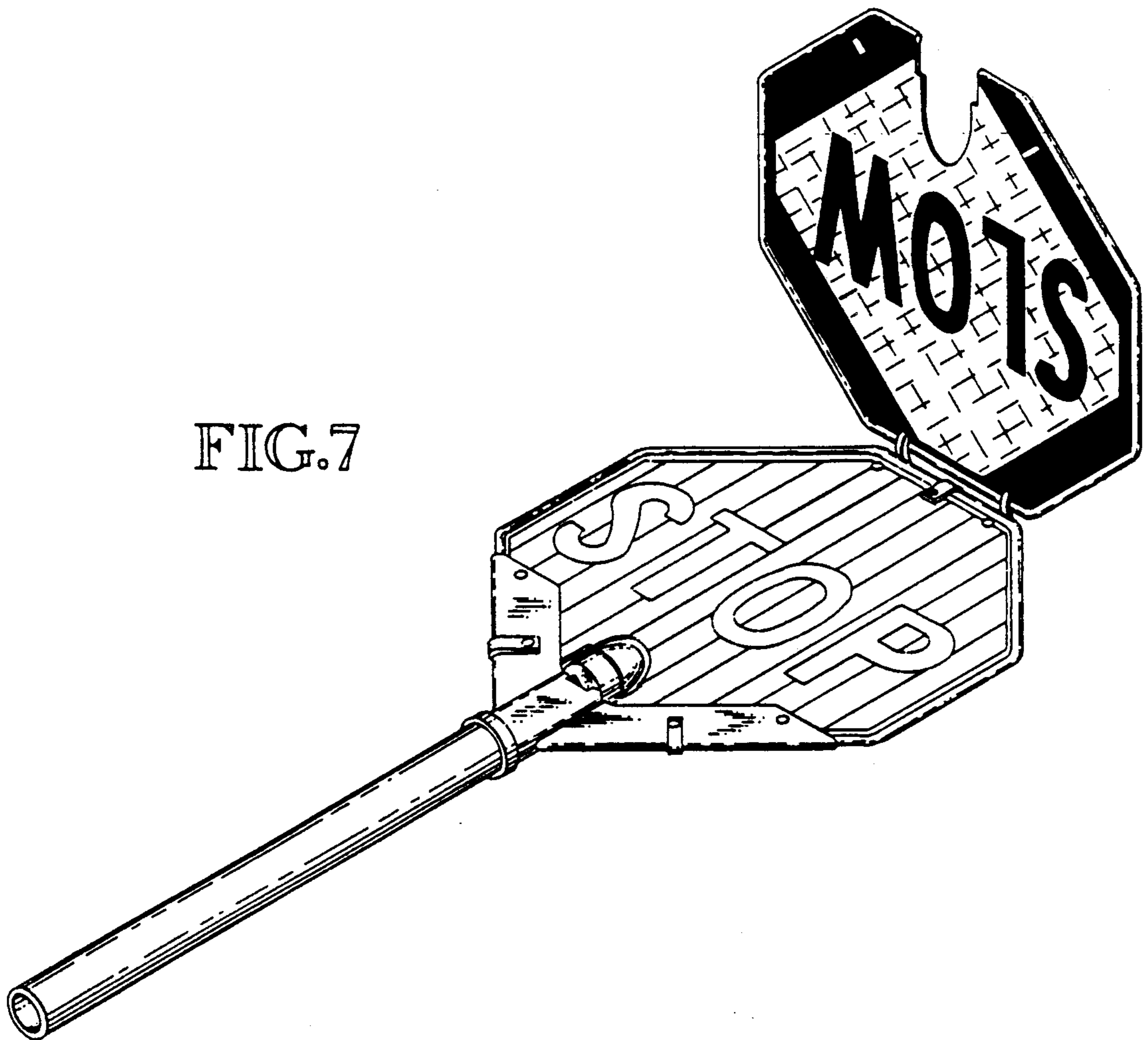


FIG.2

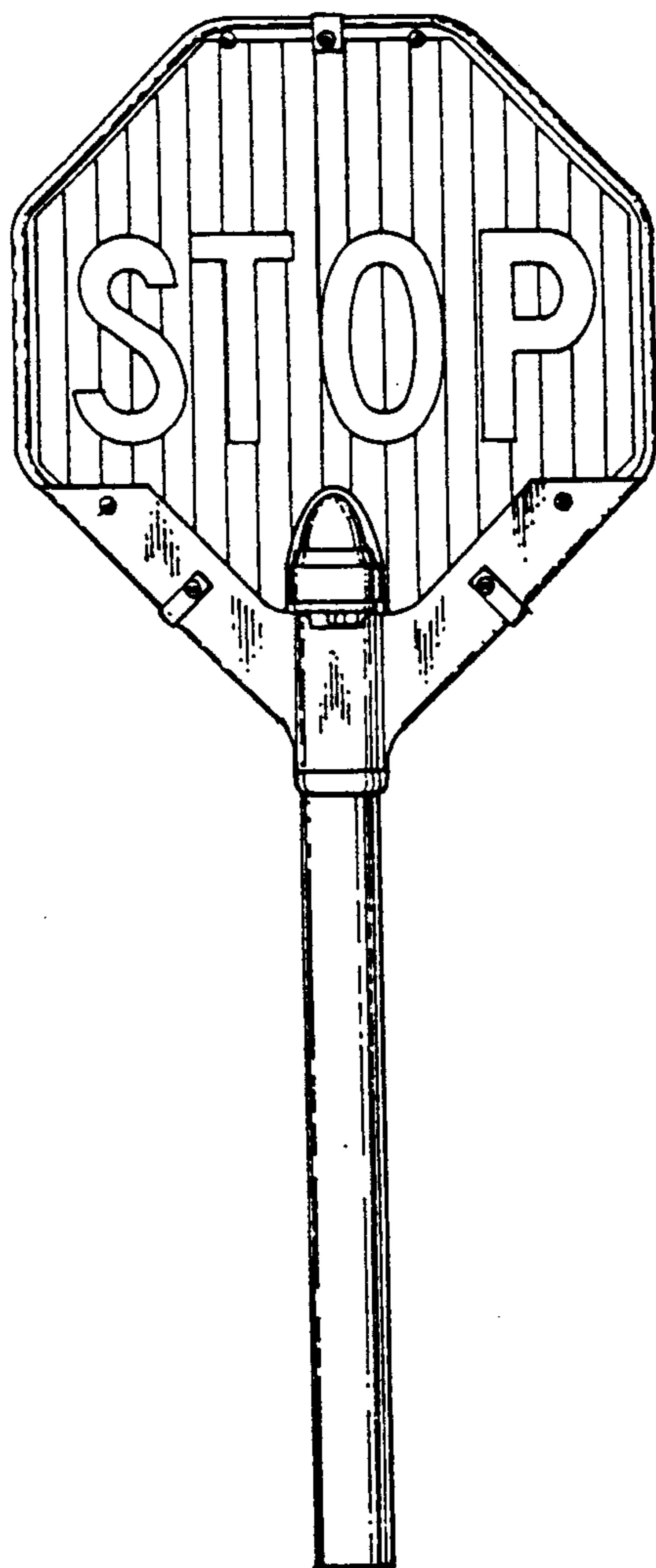


FIG.3

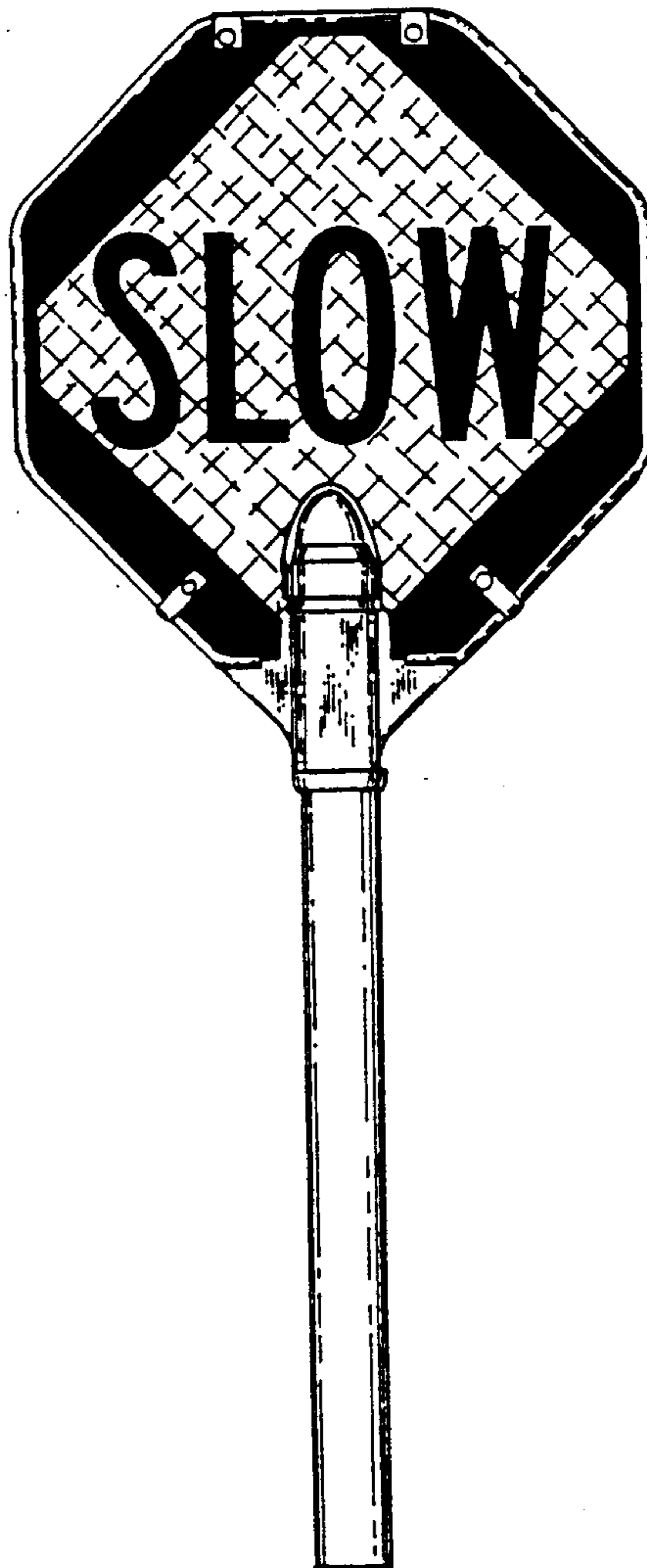


FIG.4

FIG.5



FIG.6

