

[54] WRIST WATCH CASE

[75] Inventor: John E. Dyer, Manchester, Mo.

[73] Assignee: Acme Premium Supply Corp., St. Louis, Mo.

[\*\*] Term: 14 Years

[21] Appl. No.: 164,991

[22] Filed: Mar. 7, 1988

[52] U.S. Cl. .... D10/38

[58] Field of Search ..... D10/1, 2, 30-40,  
D10/46.1, 97, 122-126; 368/10, 107-112, 223,  
228, 232, 238-242, 280-282, 285, 294-296, 327

[56] References Cited

U.S. PATENT DOCUMENTS

D. 78,447	5/1929	Conant	.....	D10/38
D. 222,486	10/1971	Wagnild	.....	D10/46.1
D. 238,346	1/1976	Burgess et al.	.....	D10/125
D. 240,605	7/1976	Sticker	.....	D10/38
D. 257,004	9/1980	Ohie	.....	D10/30
3,755,939	9/1973	Denega et al.	.....	D10/46.1 X

OTHER PUBLICATIONS

*Hong Kong Enterprise*, 1/1986, p. 272, large watch in center of group at bottom right.

*Hong Kong Enterprise*, 1/1986, p. 276, watch in top left corner, (see enlargement provided).

Primary Examiner—Nelson C. Holtje

Assistant Examiner—Gary D. Watson

Attorney, Agent, or Firm—Kalish & Gilster

[57] CLAIM

The ornamental design for a wrist watch case, as described and shown.

DESCRIPTION

FIG. 1 is a top right front perspective view of a wrist watch case showing my new design; the broken line showing of the band is for illustrative purposes only and forms no part of the claimed design;

FIG. 2 is a front elevational view;

FIG. 3 is a left side elevational view;

FIG. 4 is a bottom plan view; and

FIG. 5 is a rear elevational view thereof.

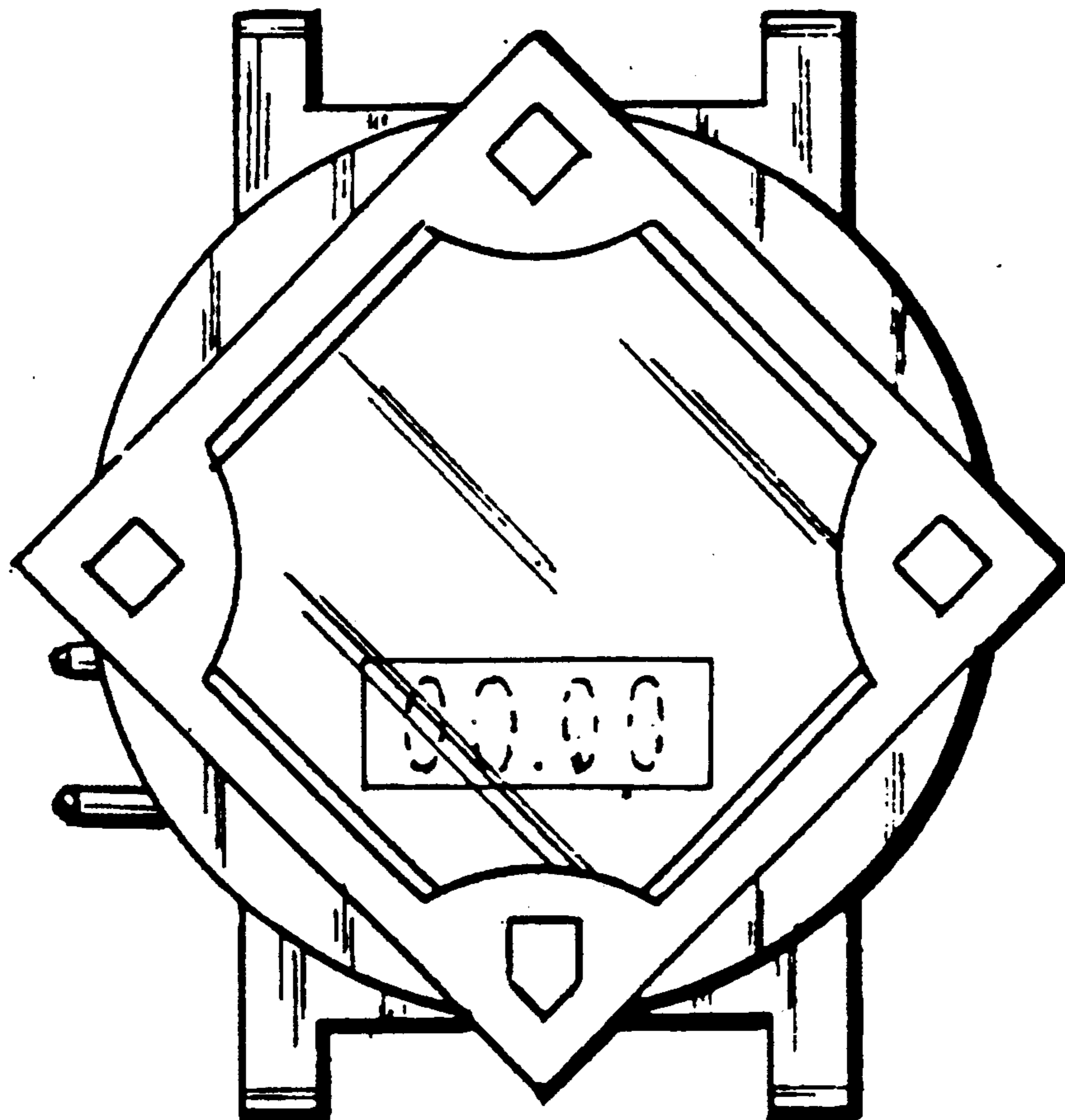


FIG. 1

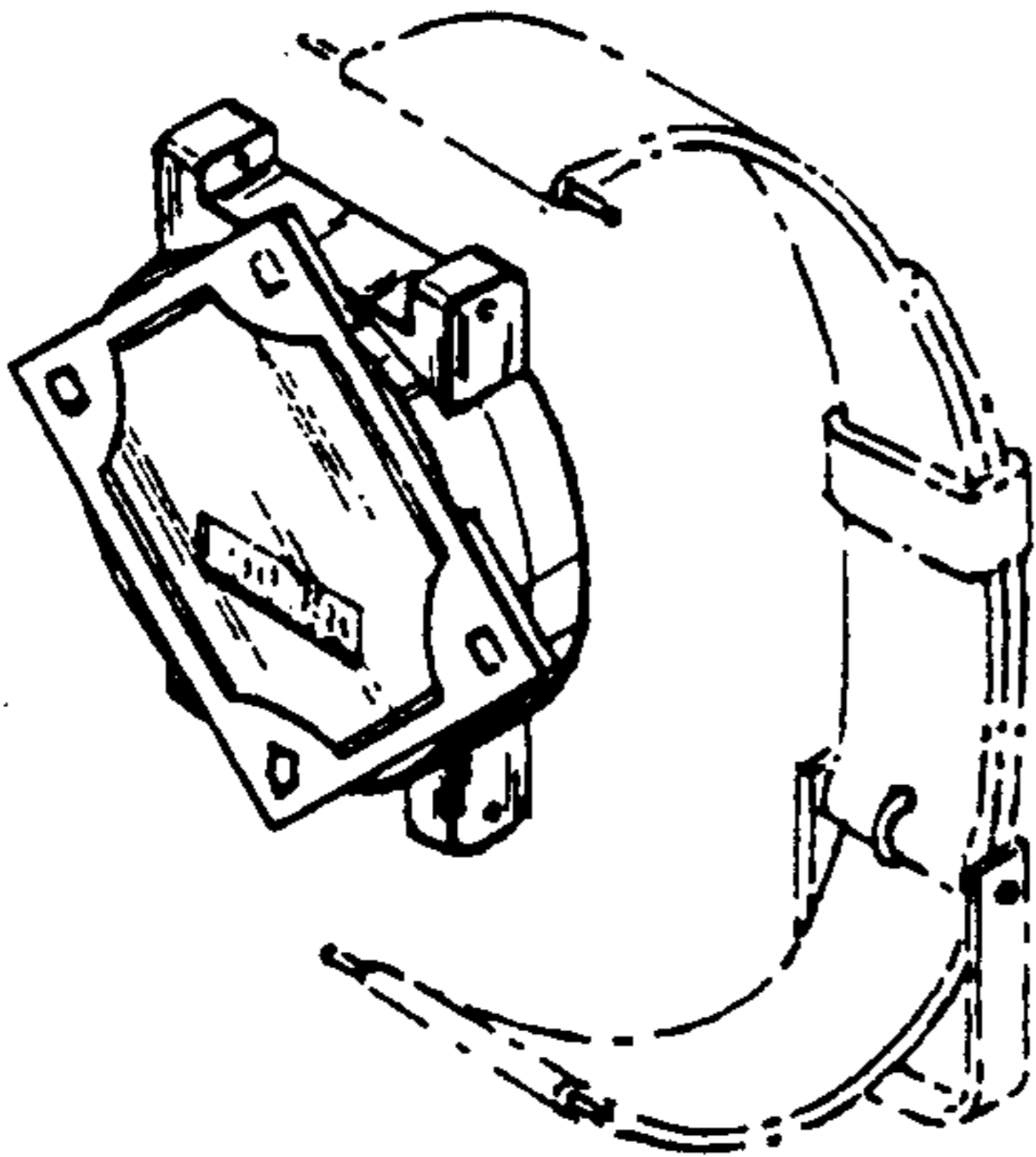


FIG. 2

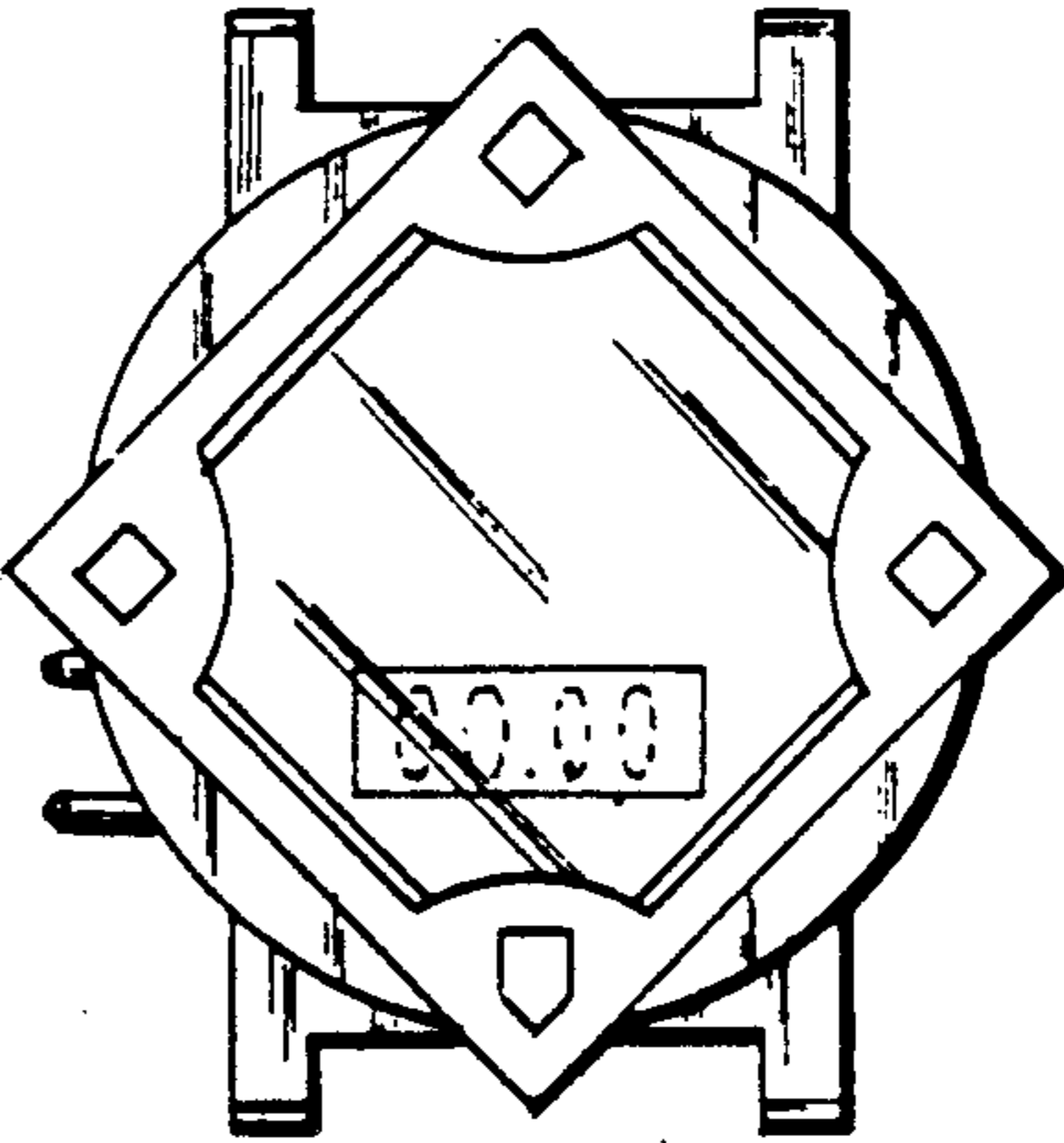


FIG. 3

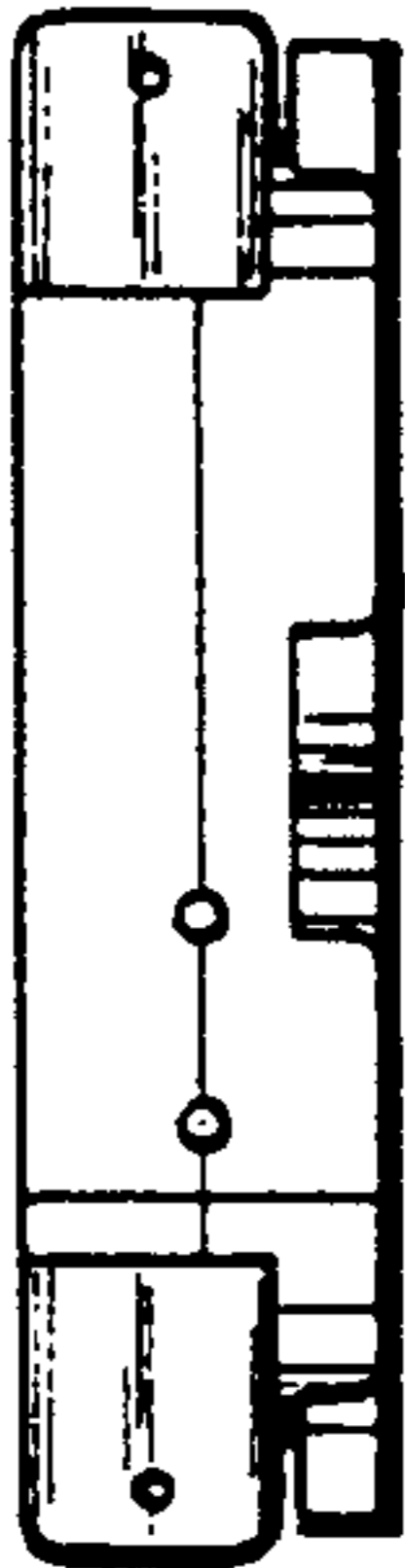


FIG. 4



FIG. 5

