

[54] BICYCLE WHEEL CLOCK

[76] Inventor: David M. Gioia, 78 Pine Run Dr., Holland, Pa. 18966

[**] Term: 14 Years

[21] Appl. No.: 66,394

[22] Filed: Jun. 25, 1987

[52] U.S. Cl. D10/6

[58] Field of Search D10/1-39, D10/122-132; D12/205, 111; 368/10, 276-277, 285

[56] References Cited

U.S. PATENT DOCUMENTS

D. 25,260	3/1896	Dueber	D10/34
D. 74,825	4/1928	Cramer	D10/33
D. 126,380	4/1941	Didisheim	D10/33

OTHER PUBLICATIONS

American Bicyclist & Motorcyclist 4/75 p. 79 —Bicycle Wheel & Tire at top-left.

Primary Examiner—Nelson C. Holtje
Attorney, Agent, or Firm—Ferrill and Logan

[57] CLAIM

The ornamental design for a bicycle wheel clock as shown and described.

DESCRIPTION

FIG. 1 is a front elevational view of a bicycle wheel clock showing my new design; FIG. 2 is a right side elevational view thereof, the left side view being a mirror image thereof; and FIG. 3 is an enlarged front perspective view thereof. The rear of the clock mechanism, not shown, is substantially plain and unornamented.

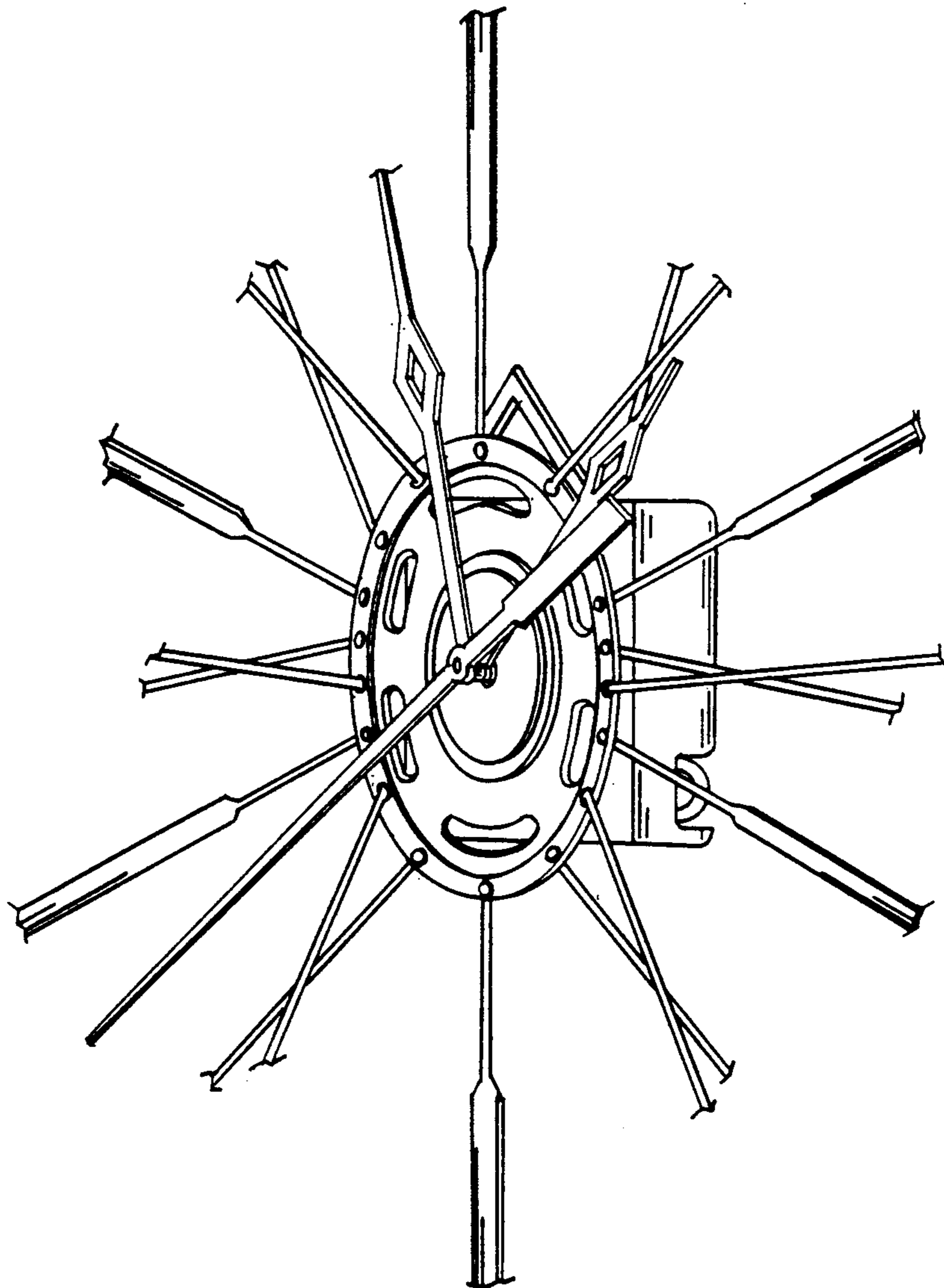




FIG. 2

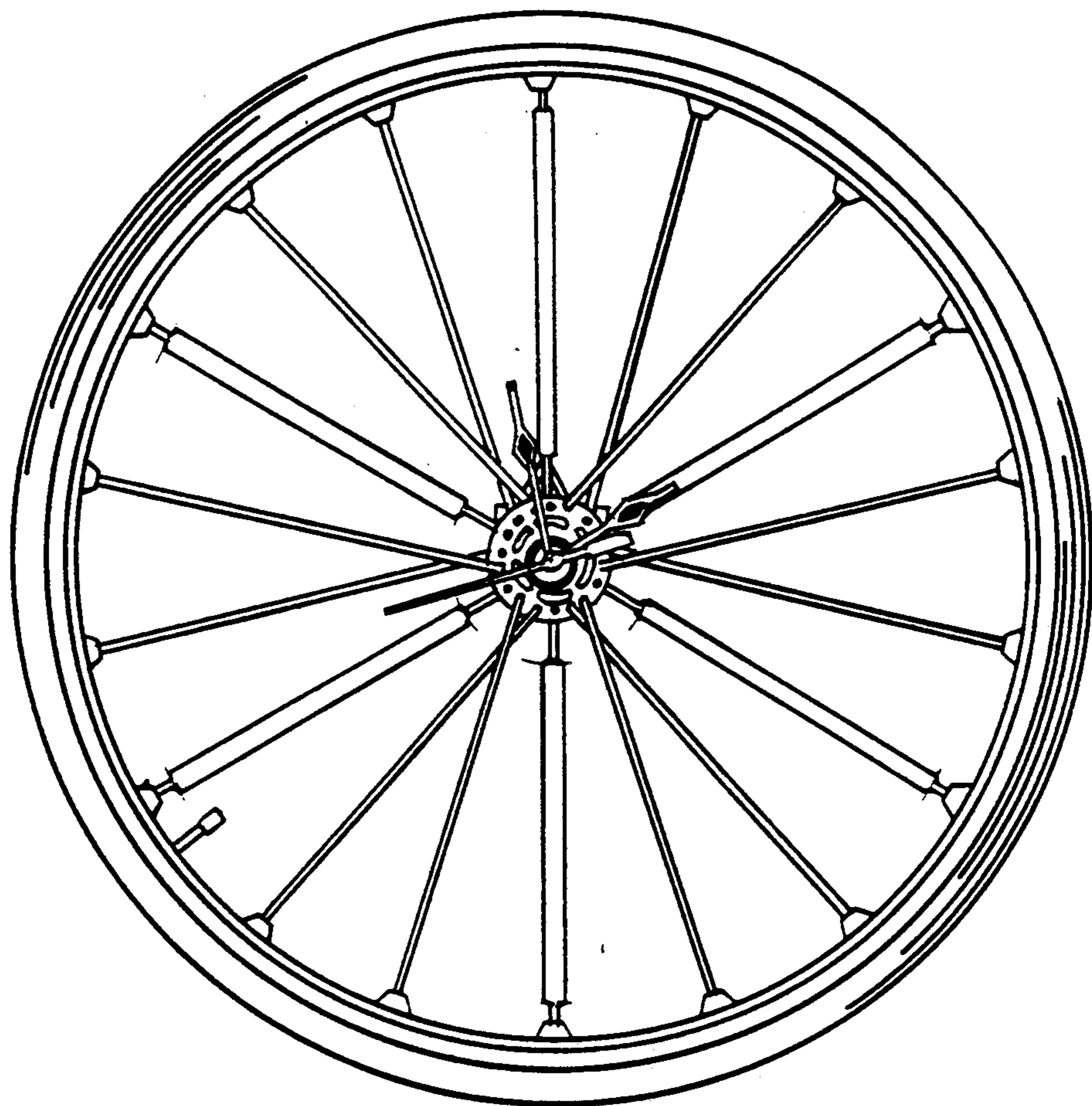


FIG. 1

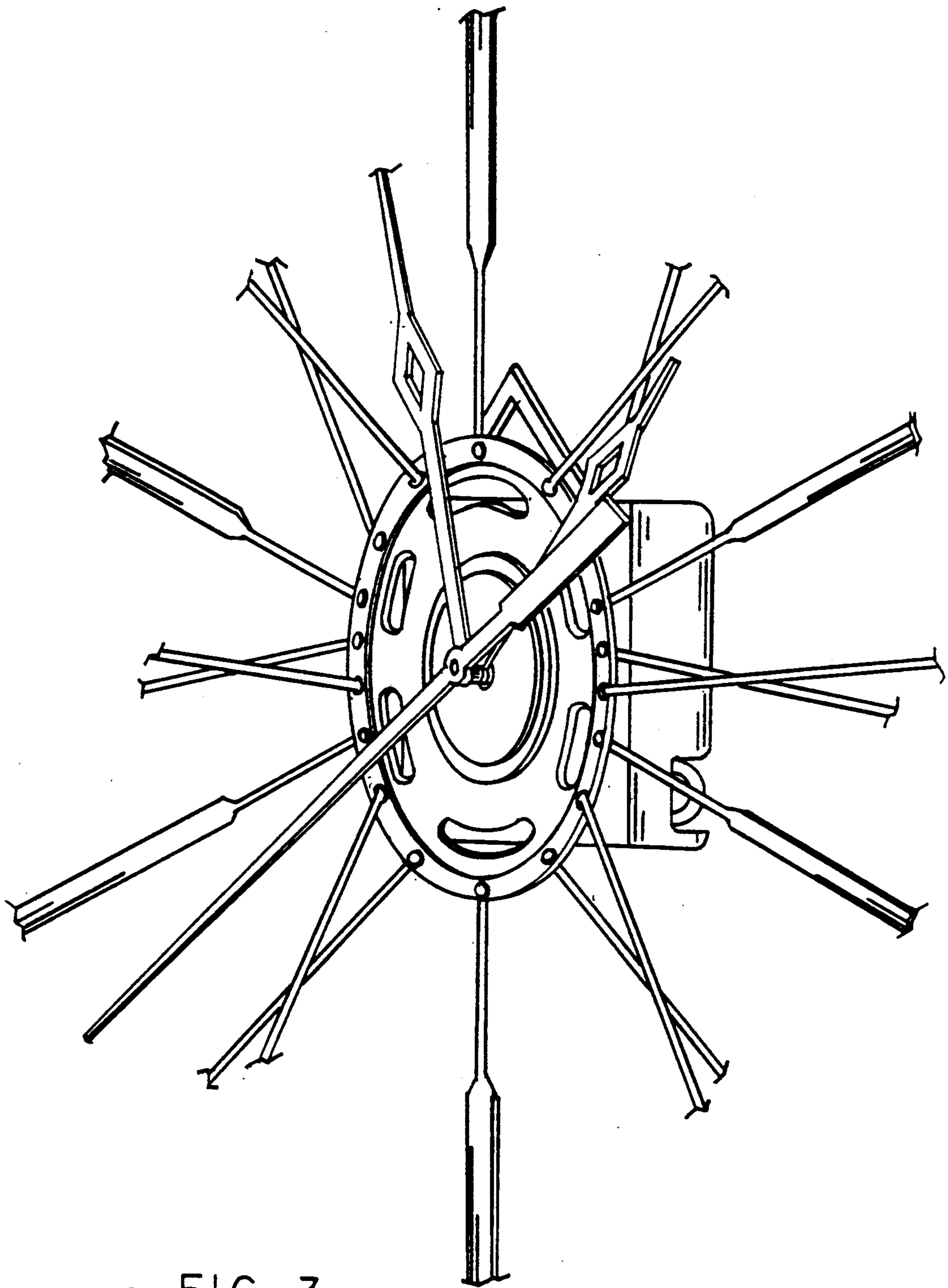


FIG. 3