

United States Patent [19]

Paul

[11] Patent Number: Des. 315,669

[45] Date of Patent: ** Mar. 26, 1991

[54] VERTICAL SUPPORT CLIP

[76] Inventor: Harold J. Paul, 2015 Magnolia Ave., Pensacola, Fla. 32503

[**] Term: 14 Years

[21] Appl. No.: 265,126

[22] Filed: Oct. 31, 1988

[52] U.S. Cl. D8/370; D8/367; D8/373

[58] Field of Search D8/373, 367, 370, 371; 248/493, 340, 301, 305; 24/130

[56] References Cited

U.S. PATENT DOCUMENTS

350,807	10/1886	Clark	248/305 X
1,372,543	3/1921	Pierce	248/493
1,637,981	8/1927	Baldwin	248/493
2,334,700	11/1943	Frey	24/130
2,454,813	12/1948	Larson	248/493
3,181,827	5/1965	Sassin	248/301 X

3,891,176	6/1975	Downing et al.	248/340
3,966,157	6/1976	Corral et al.	248/493 X
4,821,992	4/1989	Johnson	248/493

FOREIGN PATENT DOCUMENTS

5729 of 1911 United Kingdom 248/493

Primary Examiner—Horace B. Fay, Jr.

Attorney, Agent, or Firm—George A. Bode

[57] CLAIM

The ornamental design for the vertical support clip, as shown and described.

DESCRIPTION

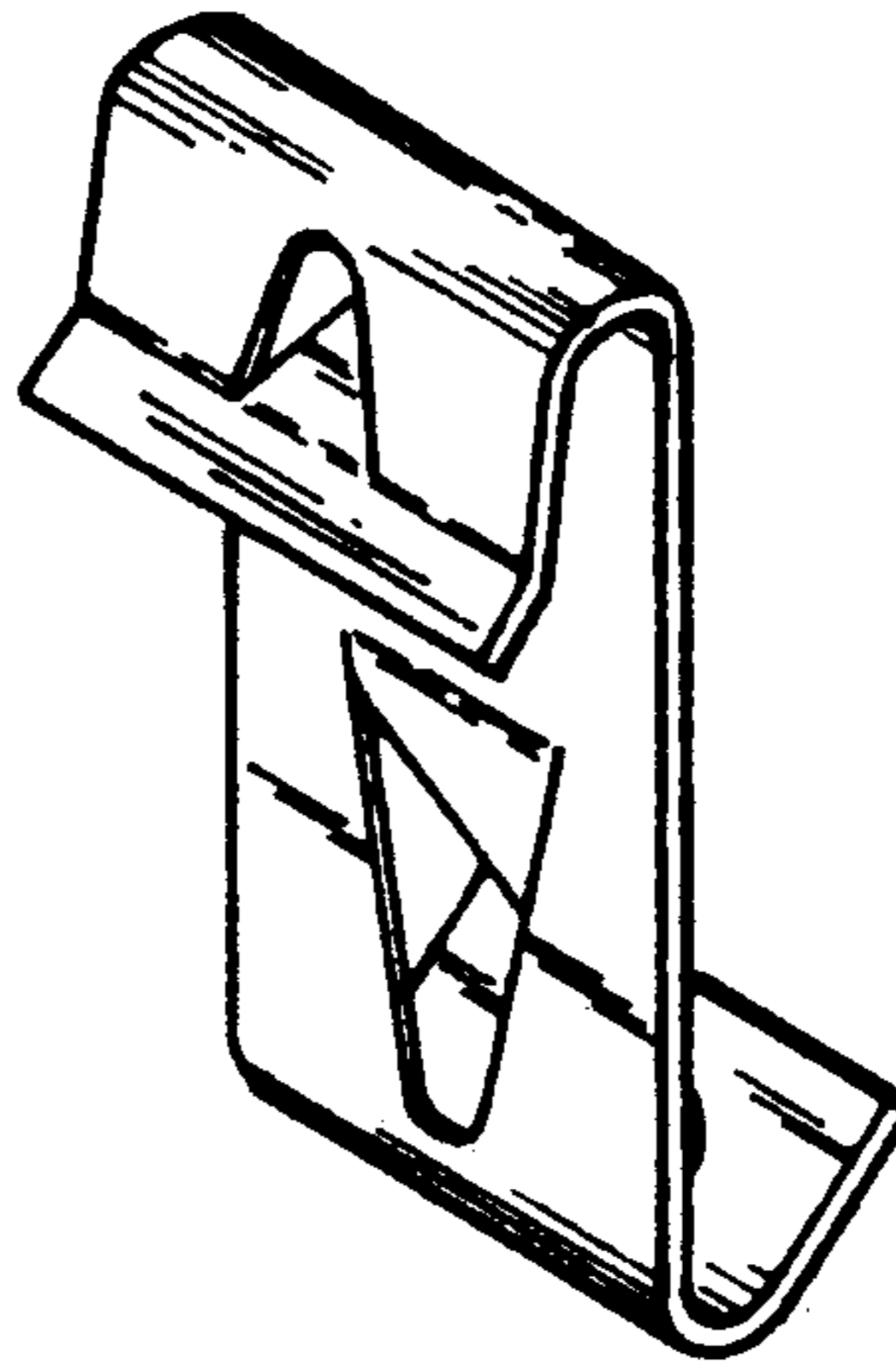
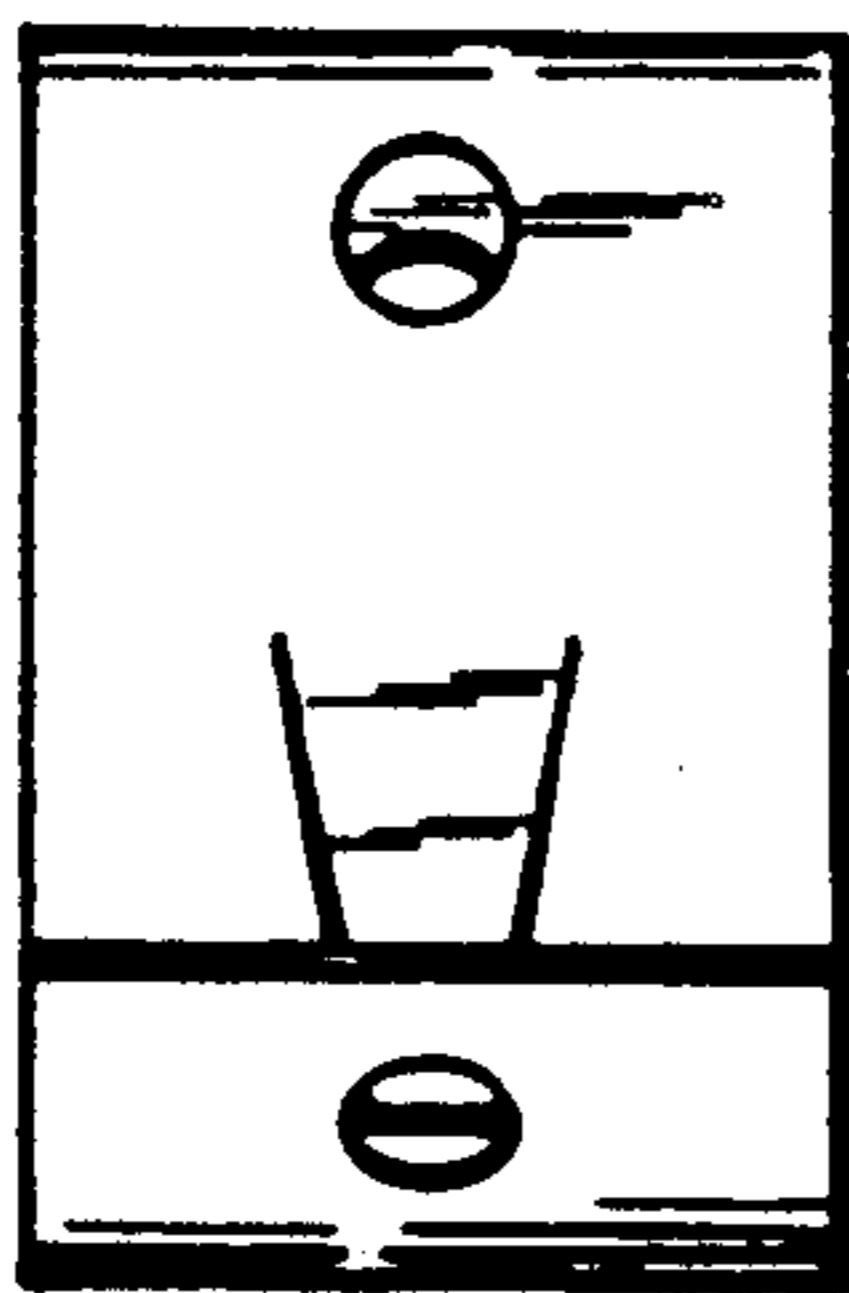
FIG. 1 is a rear elevational view of a vertical support clip showing my new design;

FIGS. 2 and 3 are respectively right and left side elevational views thereof;

FIGS. 4 and 5 are respectively top and bottom plan views thereof;

FIGS. 6 is a front elevational view thereof; and

FIG. 7 is a top, front and right perspective view thereof.



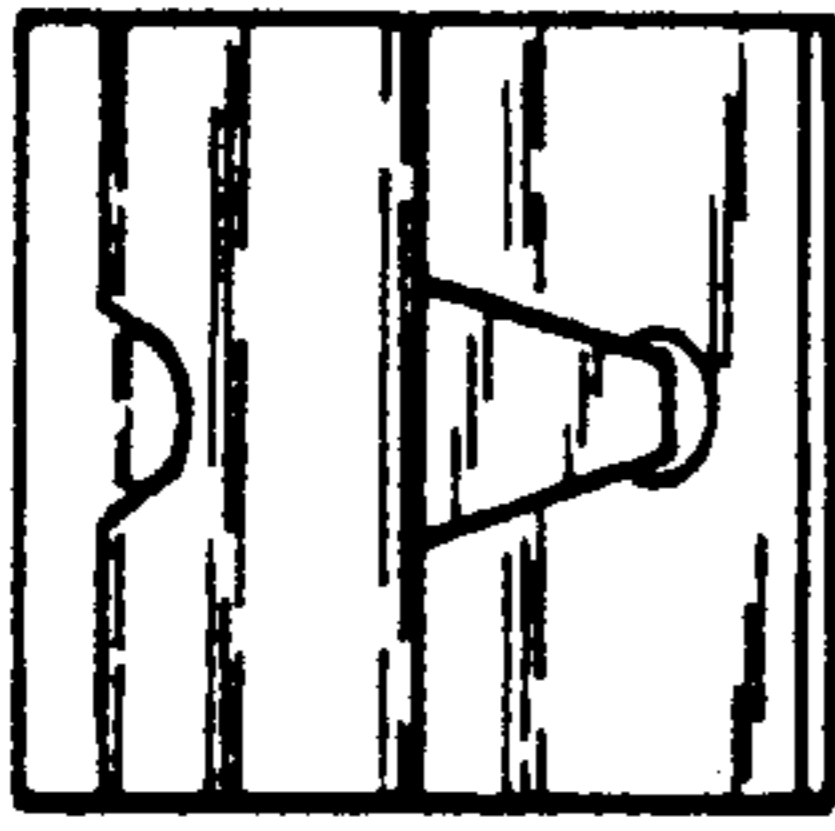


FIG. 4

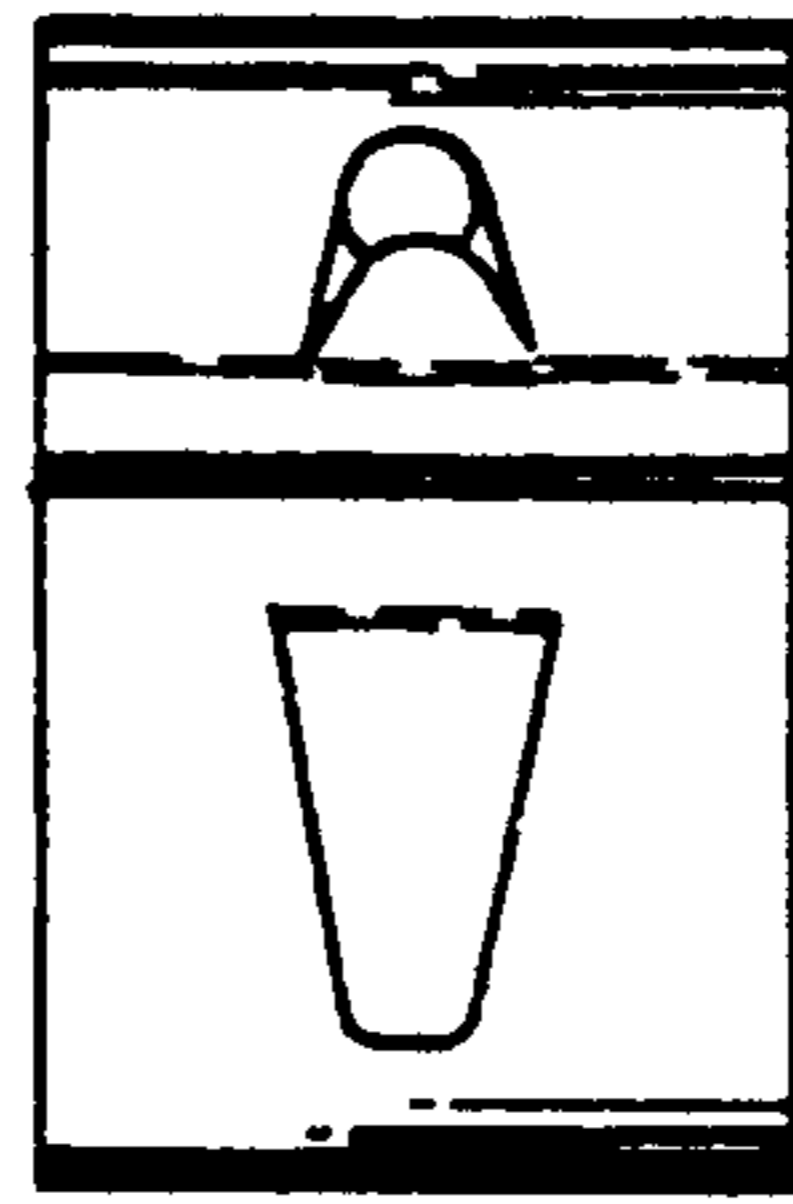


FIG. 6

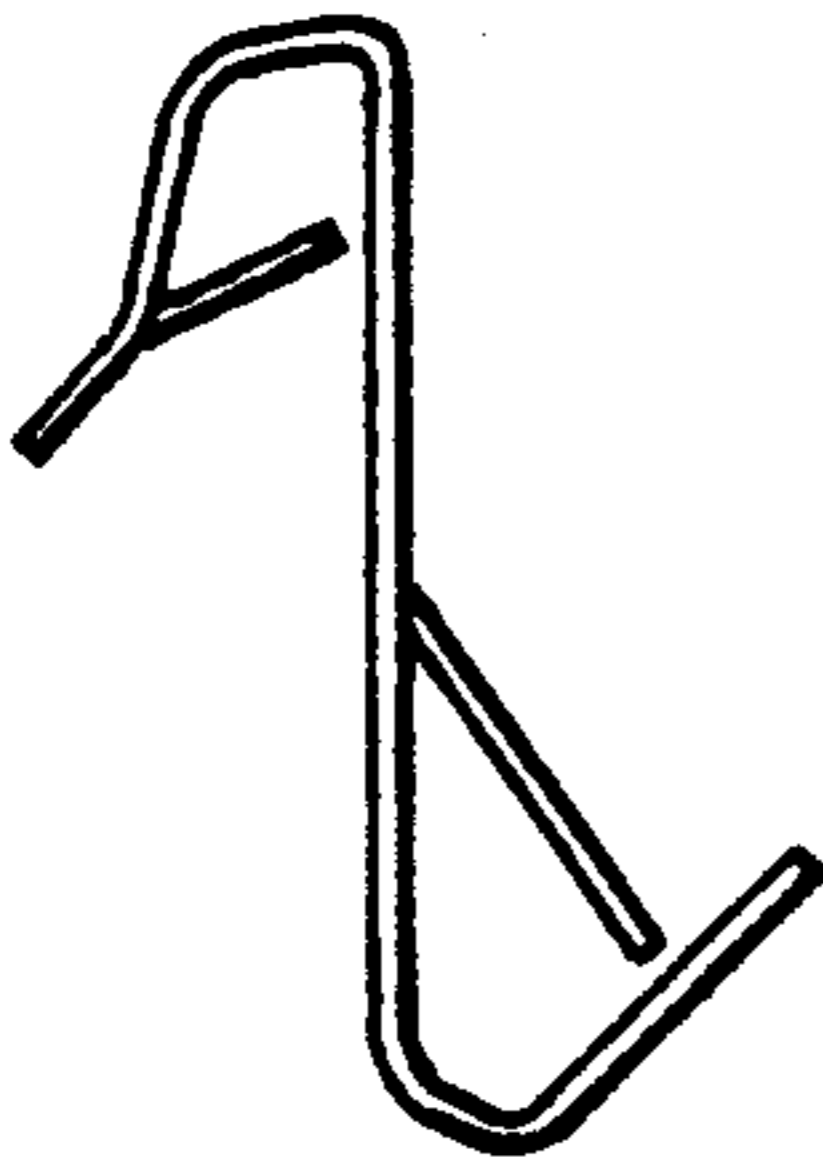


FIG. 2

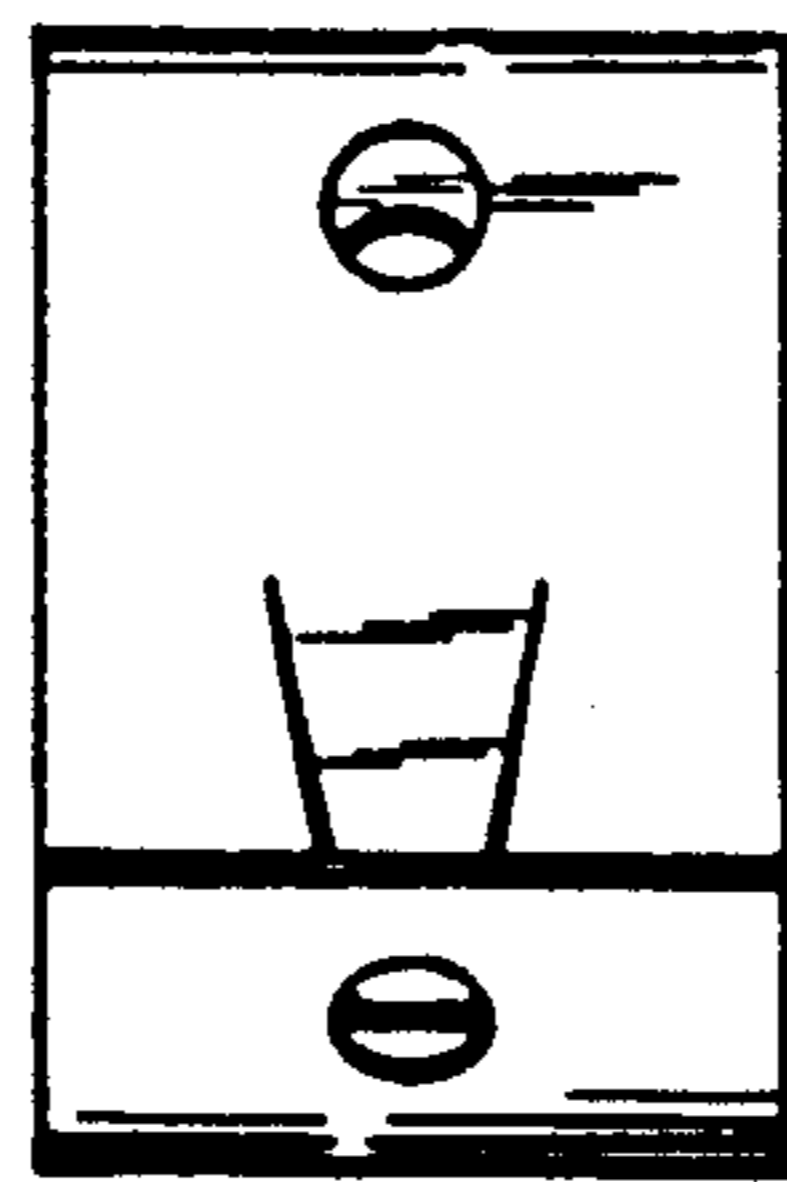


FIG. 1

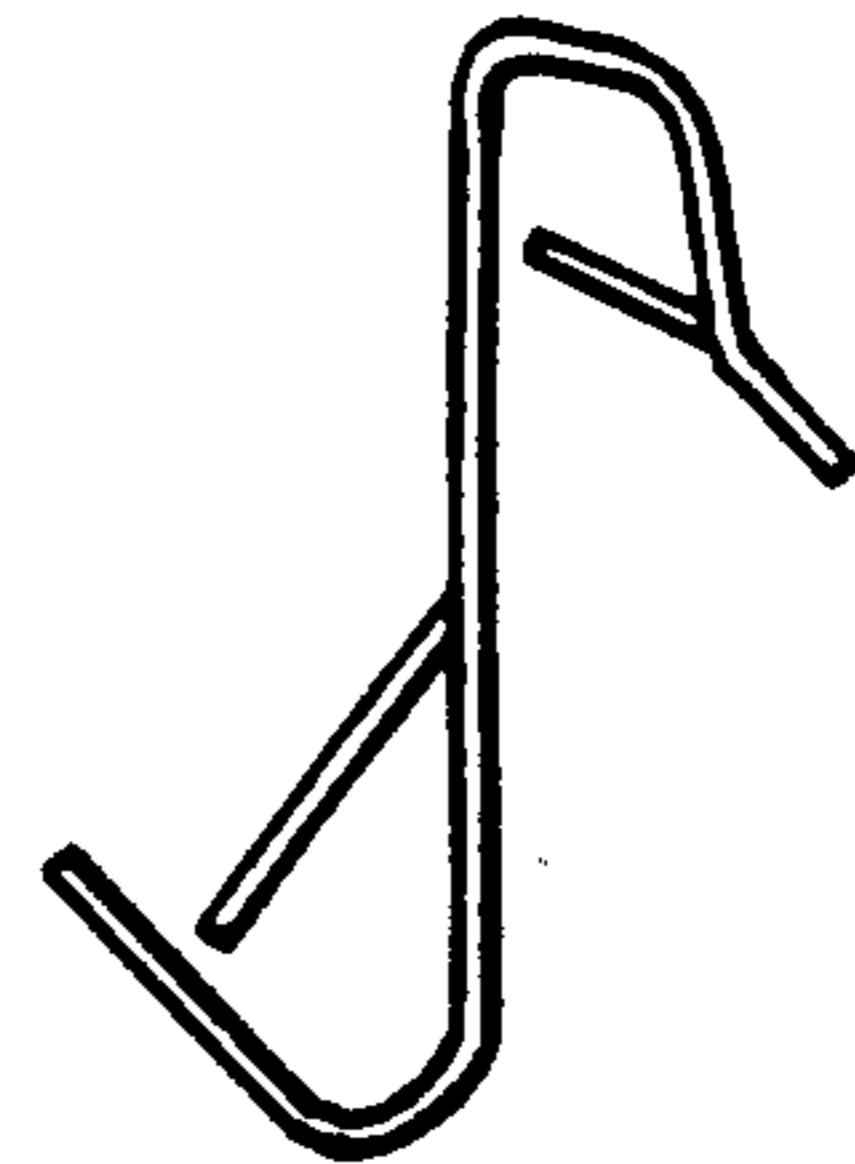


FIG. 3

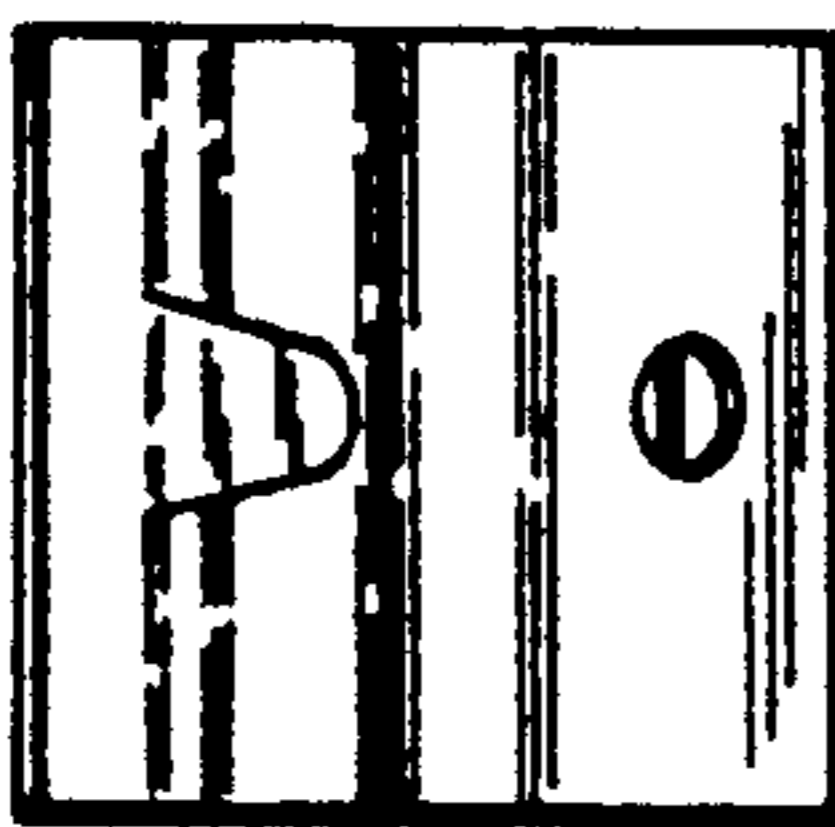


FIG. 5

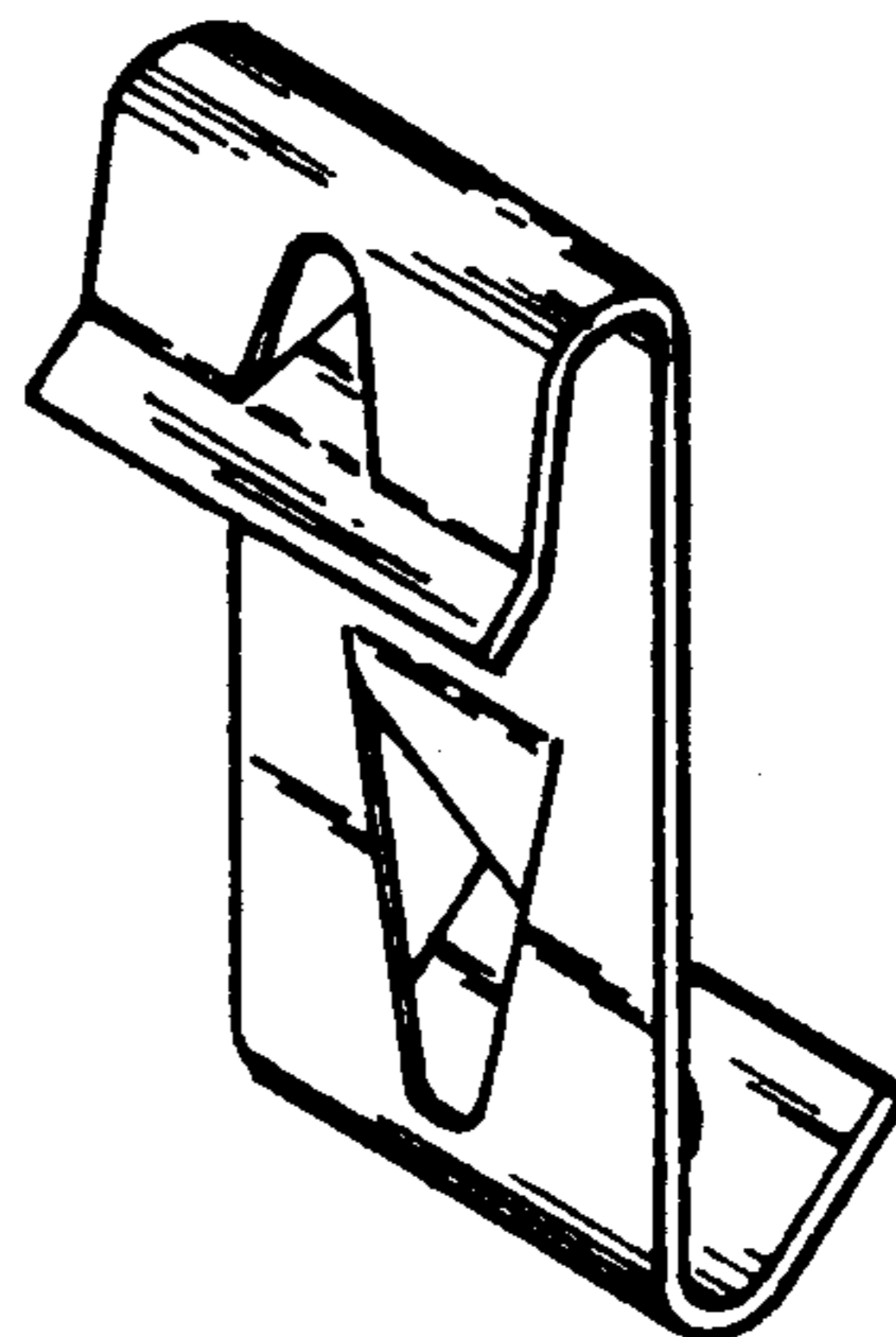


FIG. 7