

[54] COMBINED FACEPLATE AND LATCH BODY FOR A WINDOW LATCH ASSEMBLY

[75] Inventors: Dennis Westphal, Galva; Jonathan Piles, McPherson, both of Kans.

[73] Assignee: CertainTeed Company, Valley Forge, Pa.

[**] Term: 14 Years

[21] Appl. No.: 226,396

[22] Filed: Jul. 29, 1988

[52] U.S. Cl. D8/331; D8/346; D8/339

[58] Field of Search D8/330-331, D8/339, 343-344, 346; 292/DIG. 2, DIG. 4, DIG. 12, DIG. 20, DIG. 47, DIG. 53, 300, 302, 337, 340, 341.14, 346; 49/373

[56] References Cited

U.S. PATENT DOCUMENTS

- D. 305,726 1/1990 Halay D8/331 X
- 350,694 10/1886 Nicholas 292/DIG. 63 X
- 603,597 5/1898 Kittelsen et al. .
- 688,491 12/1901 Sigler 292/204

- 881,658 3/1908 Bowman 292/204
- 4,138,150 2/1979 Bills 292/DIG. 20 X
- 4,144,674 3/1979 Dovman 49/417
- 4,312,458 1/1982 Stewart D8/350 X
- 4,578,903 4/1986 Simpson 49/175
- 4,699,406 10/1987 Swanson, Jr. 292/DIG. 47 X

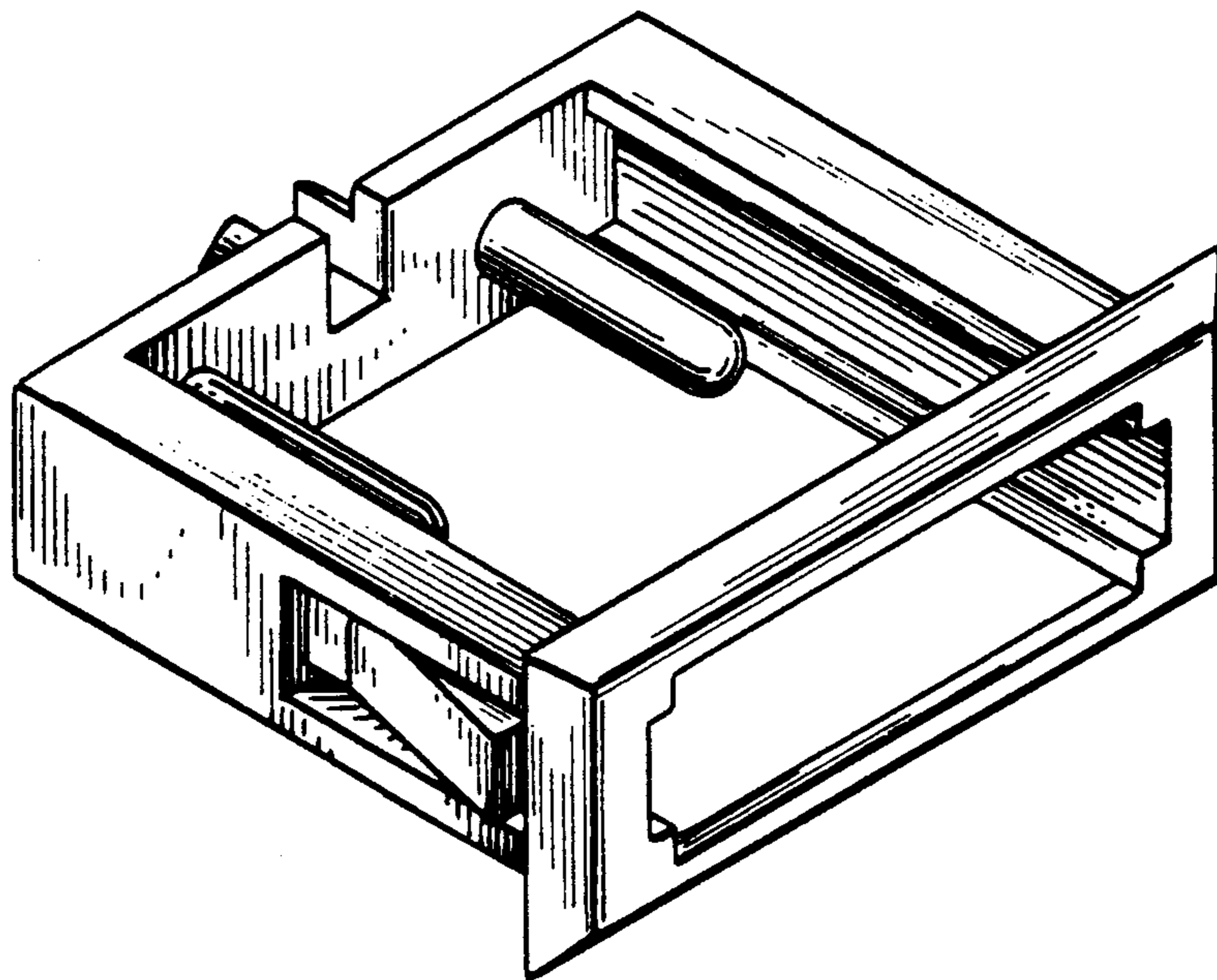
Primary Examiner—Wallace R. Burke
Assistant Examiner—Brian N. Vinson
Attorney, Agent, or Firm—Paul & Paul

[57] CLAIM

The ornamental design for combined faceplate and latch body for a window latch assembly, as shown and described.

DESCRIPTION

FIG. 1 is a top, front, and left side perspective view of a combined faceplate and latch body for a window latch assembly showing our new design; FIG. 2 is a top plan view thereof; FIG. 3 is a front elevational view thereof; FIG. 4 is a left side elevational view thereof; FIG. 5 is a right side elevational view thereof; FIG. 6 is a bottom plan view thereof; and FIG. 7 is a rear elevational view thereof.



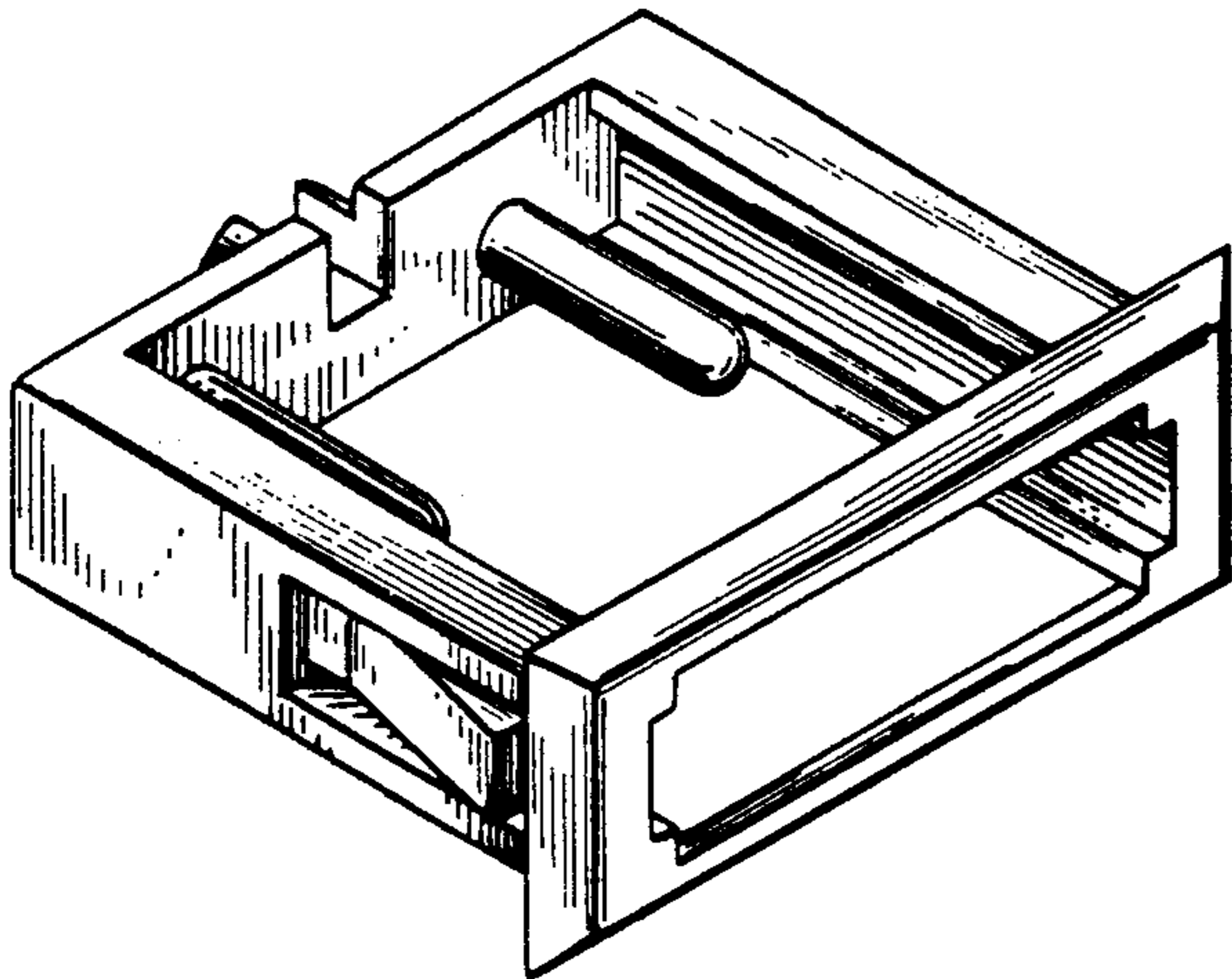


Fig. 1

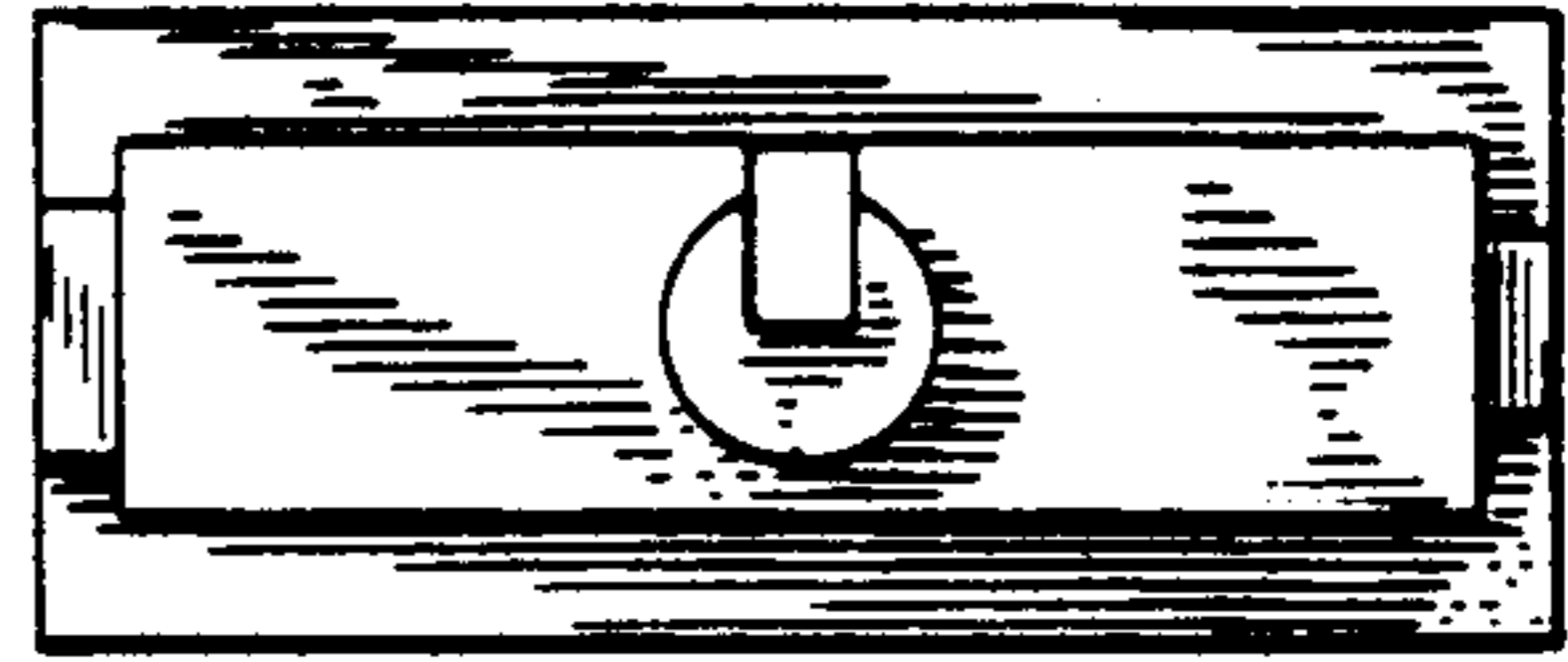


Fig. 7

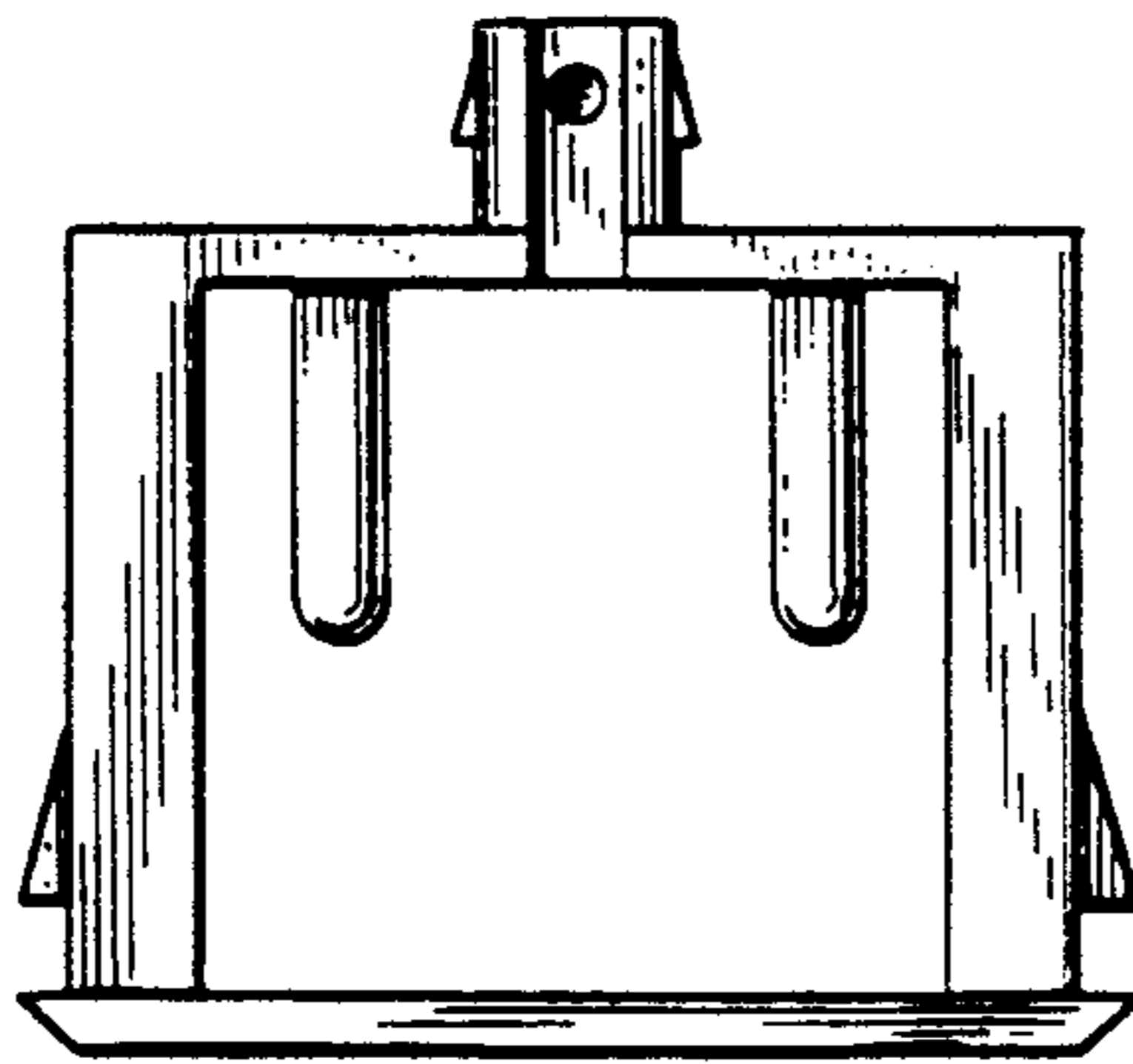


Fig. 2

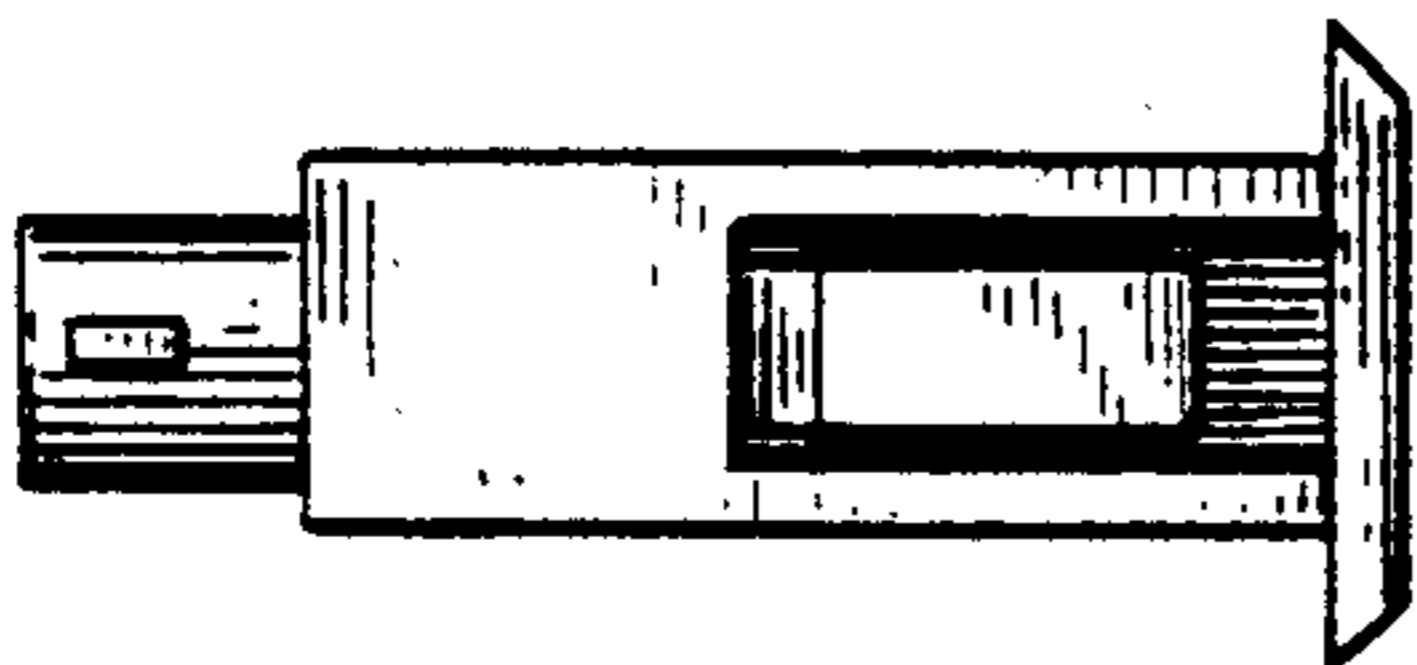


Fig. 4

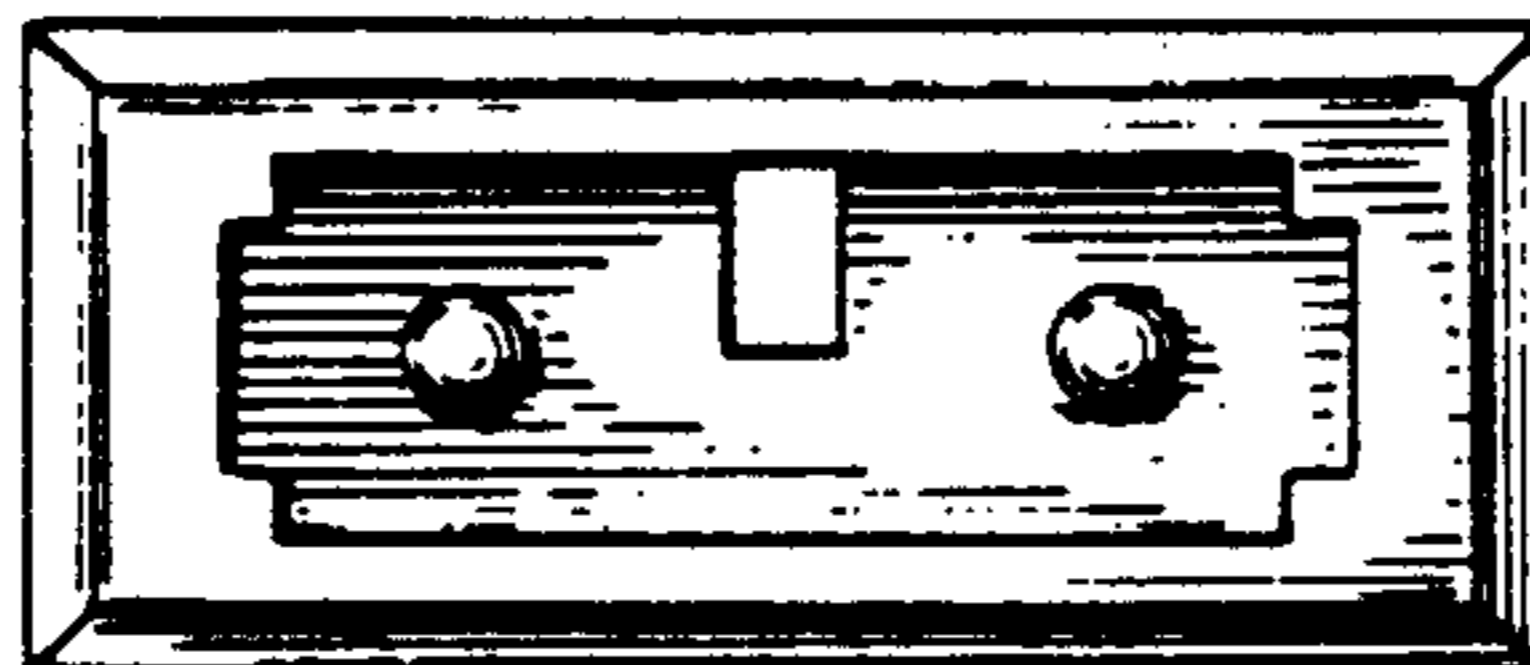


Fig. 3



Fig. 5

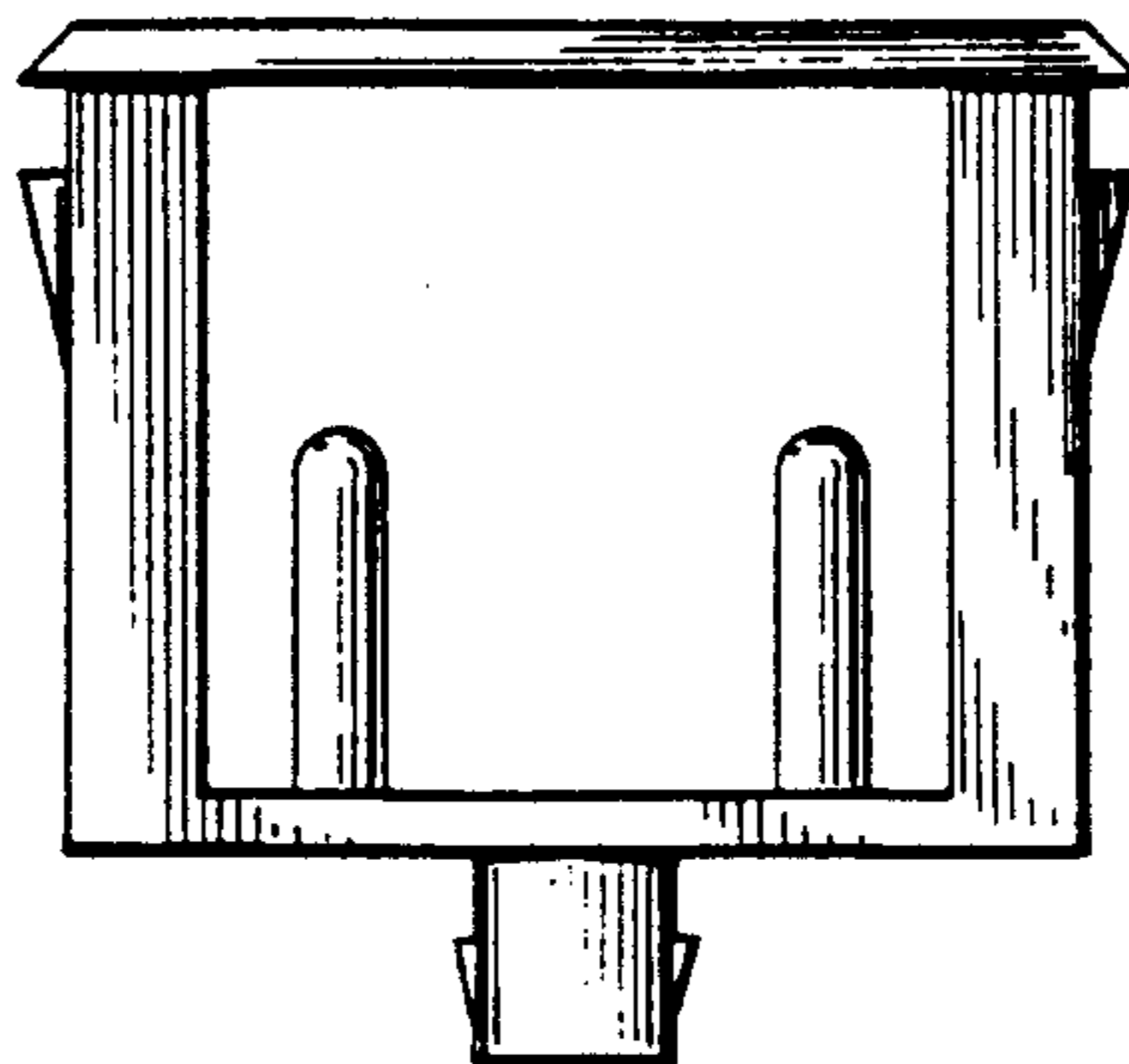


Fig. 6