

[54] COMBINED FOOD PROCESSOR BOWL AND COVER

[76] Inventor: Max Ruttimann, Im Wygärtli, 15 Ch-8562 Märstetten, Switzerland

[**] Term: 14 Years

[21] Appl. No.: 59,865

[22] Filed: Jun. 8, 1987

[30] Foreign Application Priority Data

Dec. 8, 1986 [DE] Fed. Rep. of Germany URA1629/86

[52] U.S. Cl. D7/412; D7/384; D7/386; D7/414

[58] Field of Search D7/368-374, D7/376-384, 386, 48, 49, 412-415, 139

[56] References Cited

U.S. PATENT DOCUMENTS

- D. 206,388 12/1966 Clemente D7/372 X
- D. 218,257 8/1970 Rams D7/373
- D. 241,404 9/1976 Mantelet D7/384
- D. 254,702 4/1980 Tsuji et al. D7/49

- D. 271,176 11/1983 Zimnowicz D7/379
- D. 298,503 11/1988 McCullough D7/139

OTHER PUBLICATIONS

W. Bell & Co., Catalog, 1985, p. 375, right column-second panel, FIG. 1, Moulinex/Regal Supermix Immersion Blender.

*Primary Examiner—Winifred E. Herrmann
Attorney, Agent, or Firm—Jones, Tullar & Cooper*

[57] CLAIM

The ornamental design for a combined food processor bowl and cover, as shown and described.

DESCRIPTION

FIG. 1 is a top and front perspective view of a combined food processor bowl and cover showing my new design;

FIG. 2 is a top and left side perspective view;

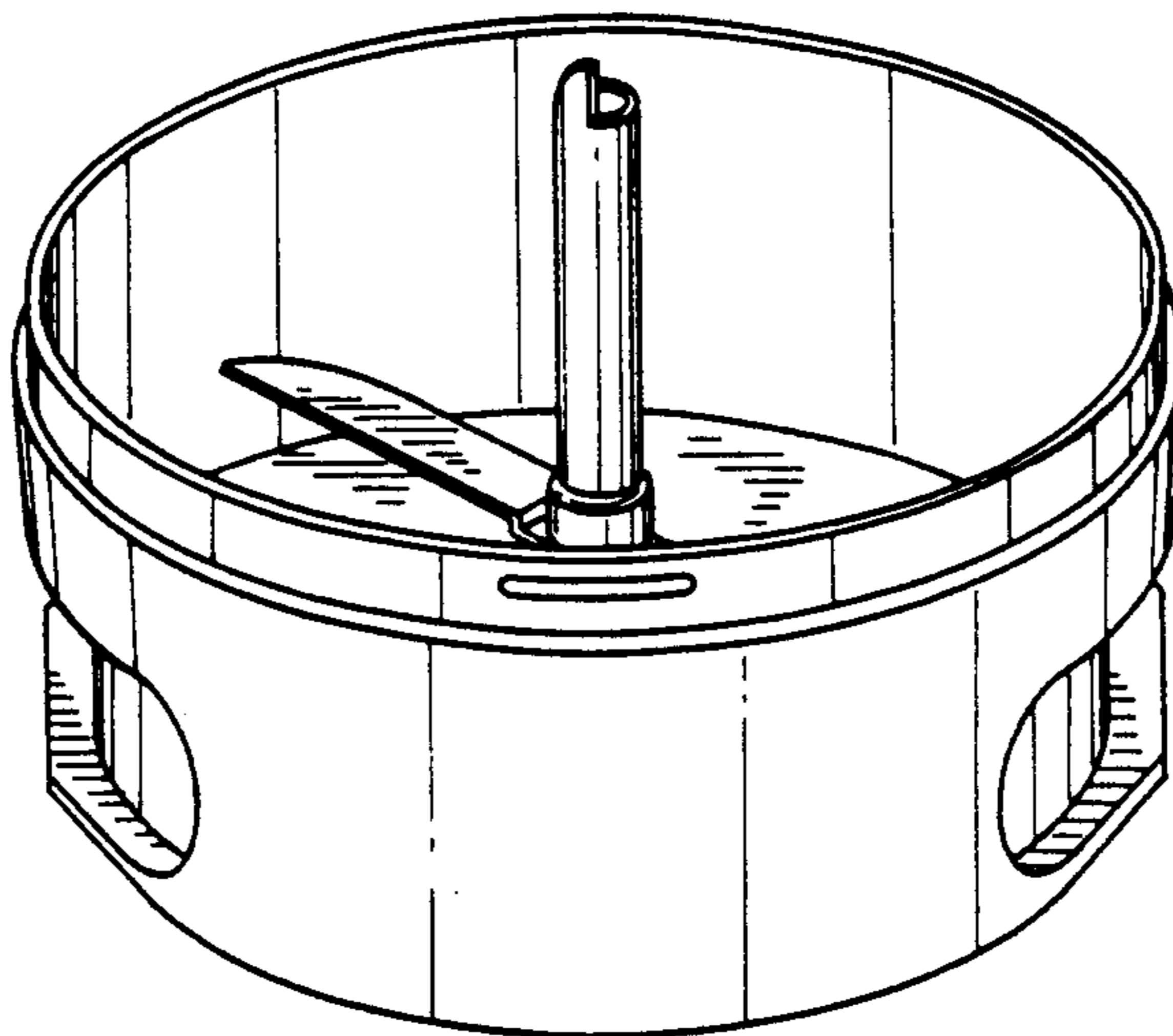
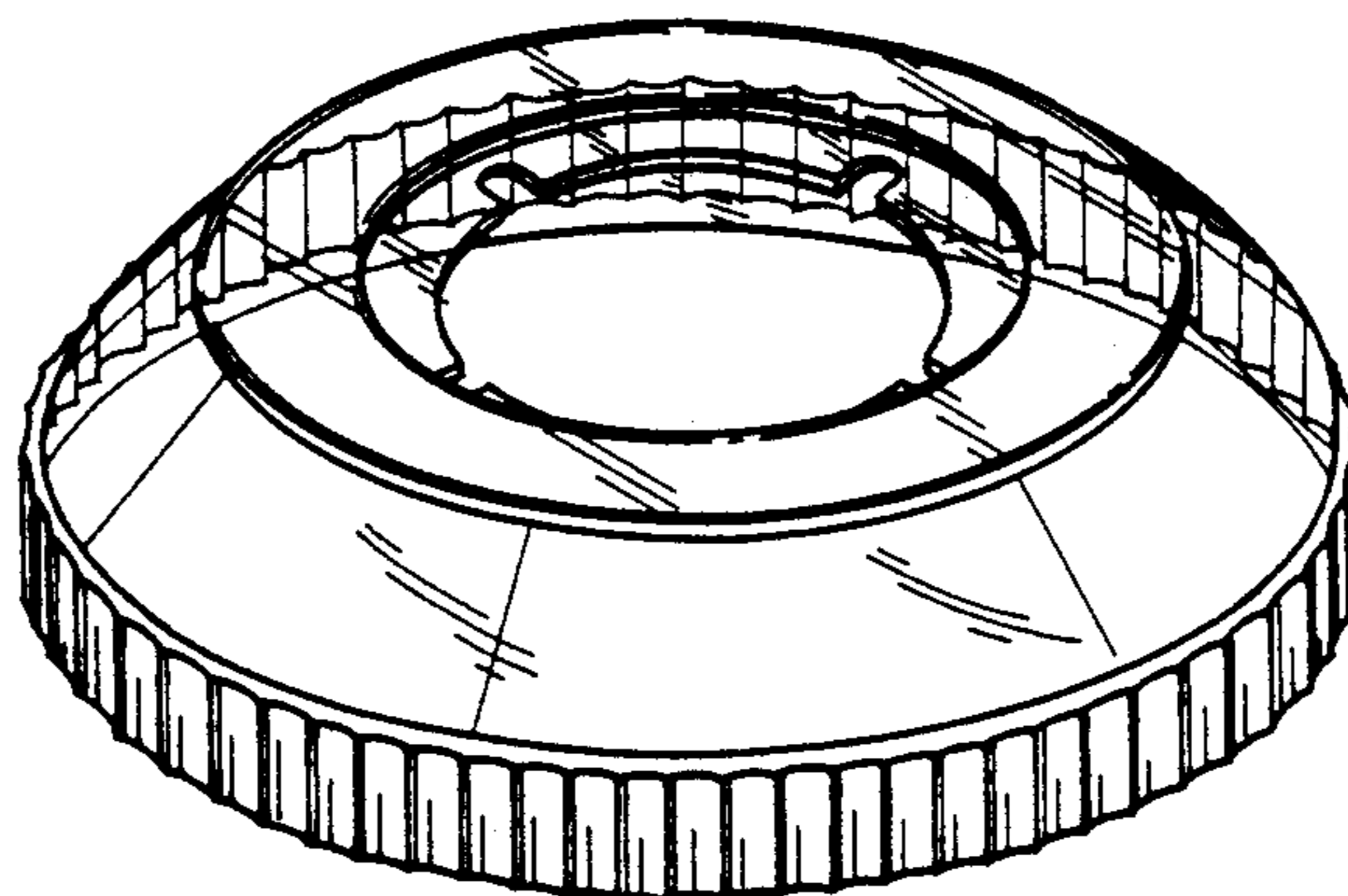
FIG. 3 is a front elevational view, the rear view being a mirror image;

FIG. 4 is a right side elevational view;

FIG. 5 is an exploded top and left side perspective view;

FIG. 6 is a bottom plan view; and

FIG. 7 is a top plan view thereof.



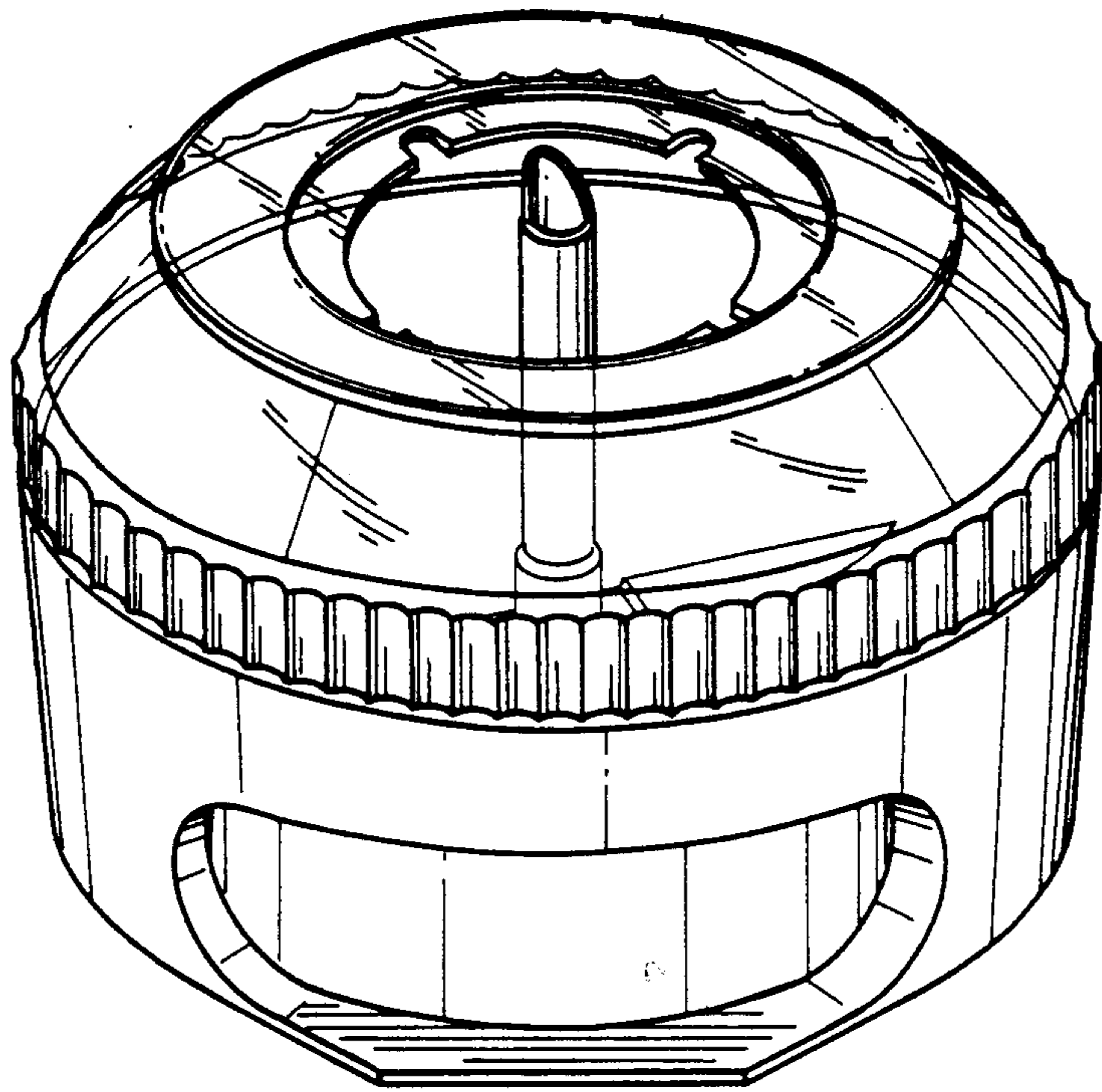


FIG. 1

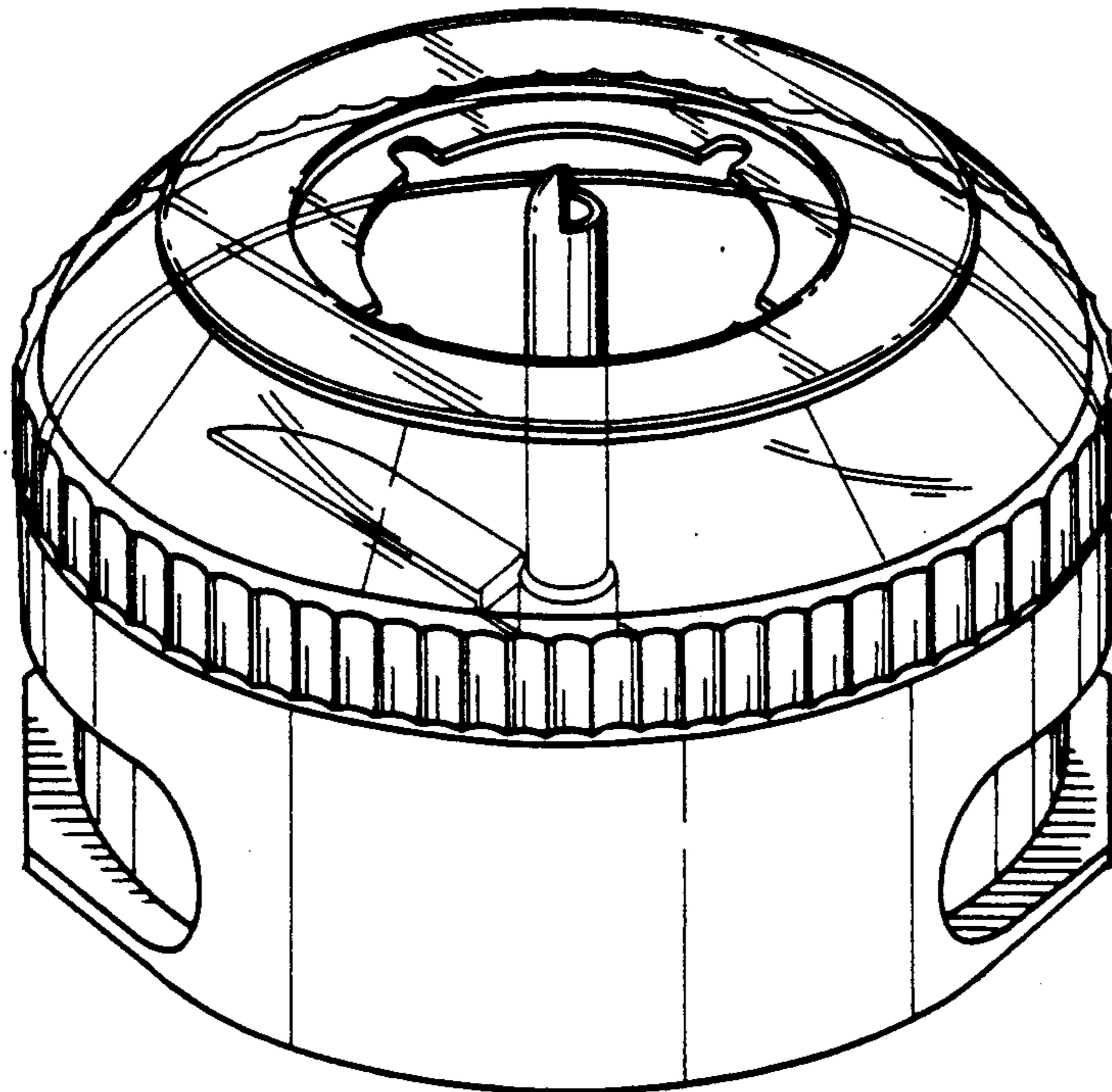


FIG. 2

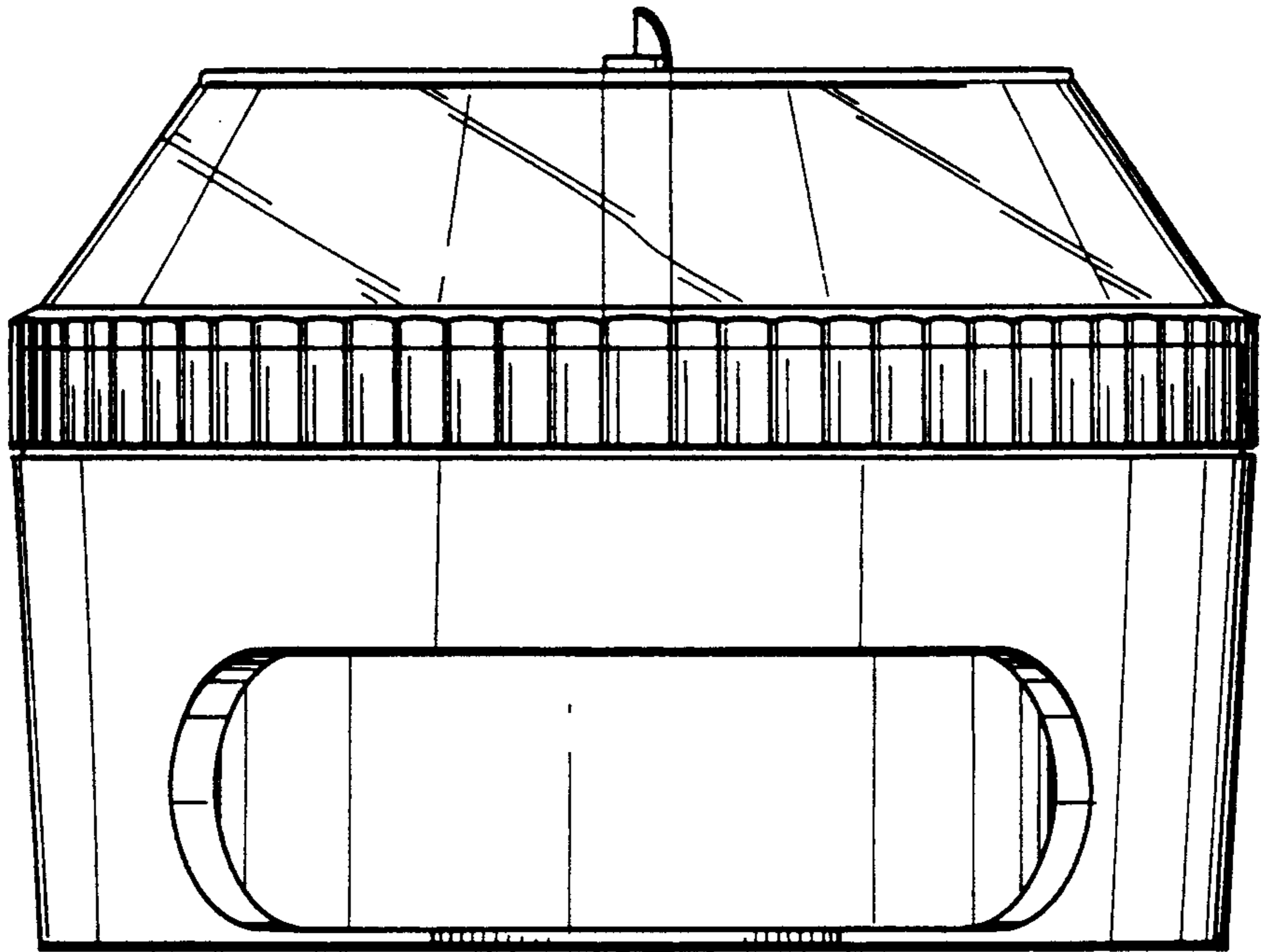


FIG. 3

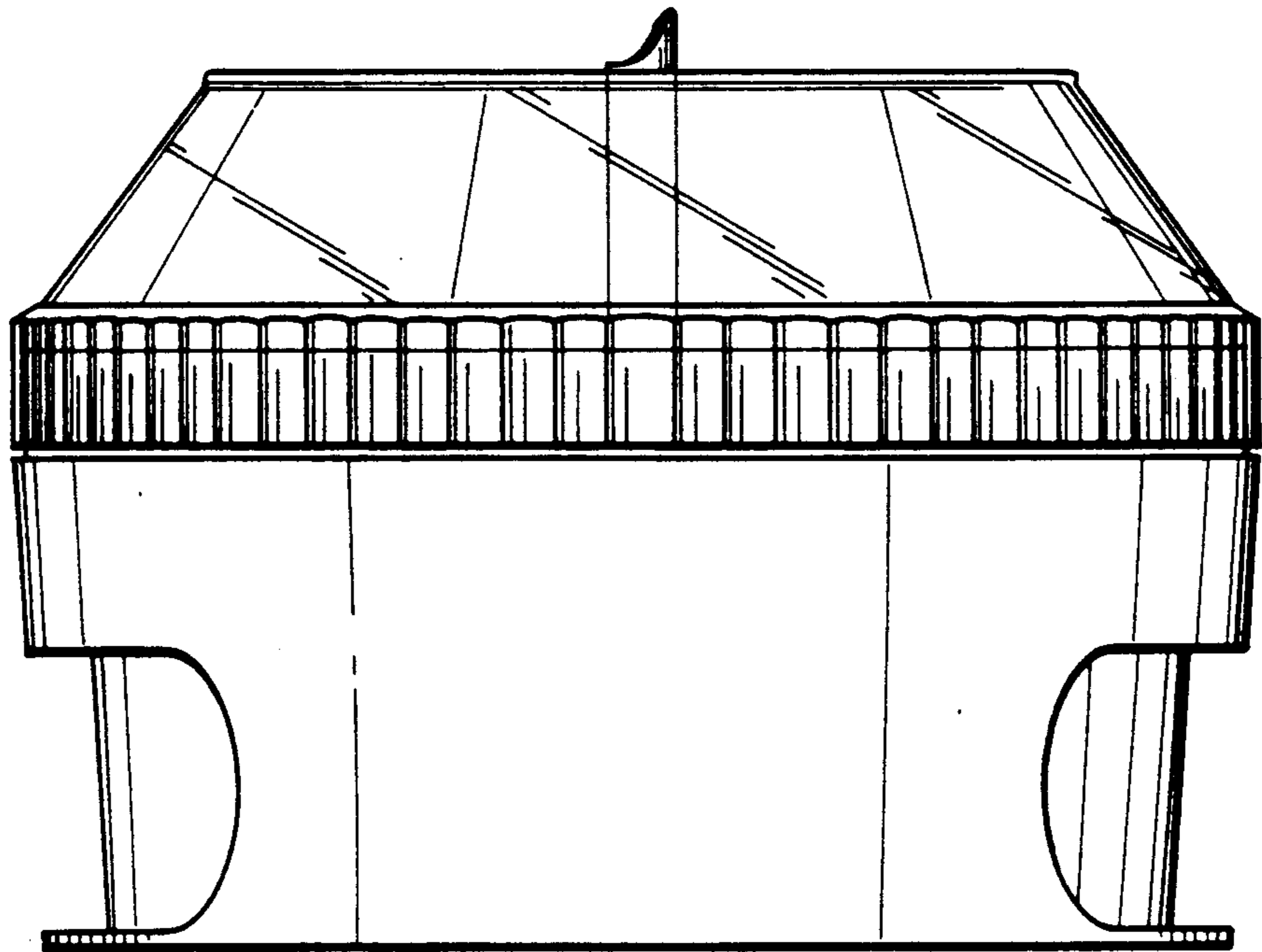


FIG. 4

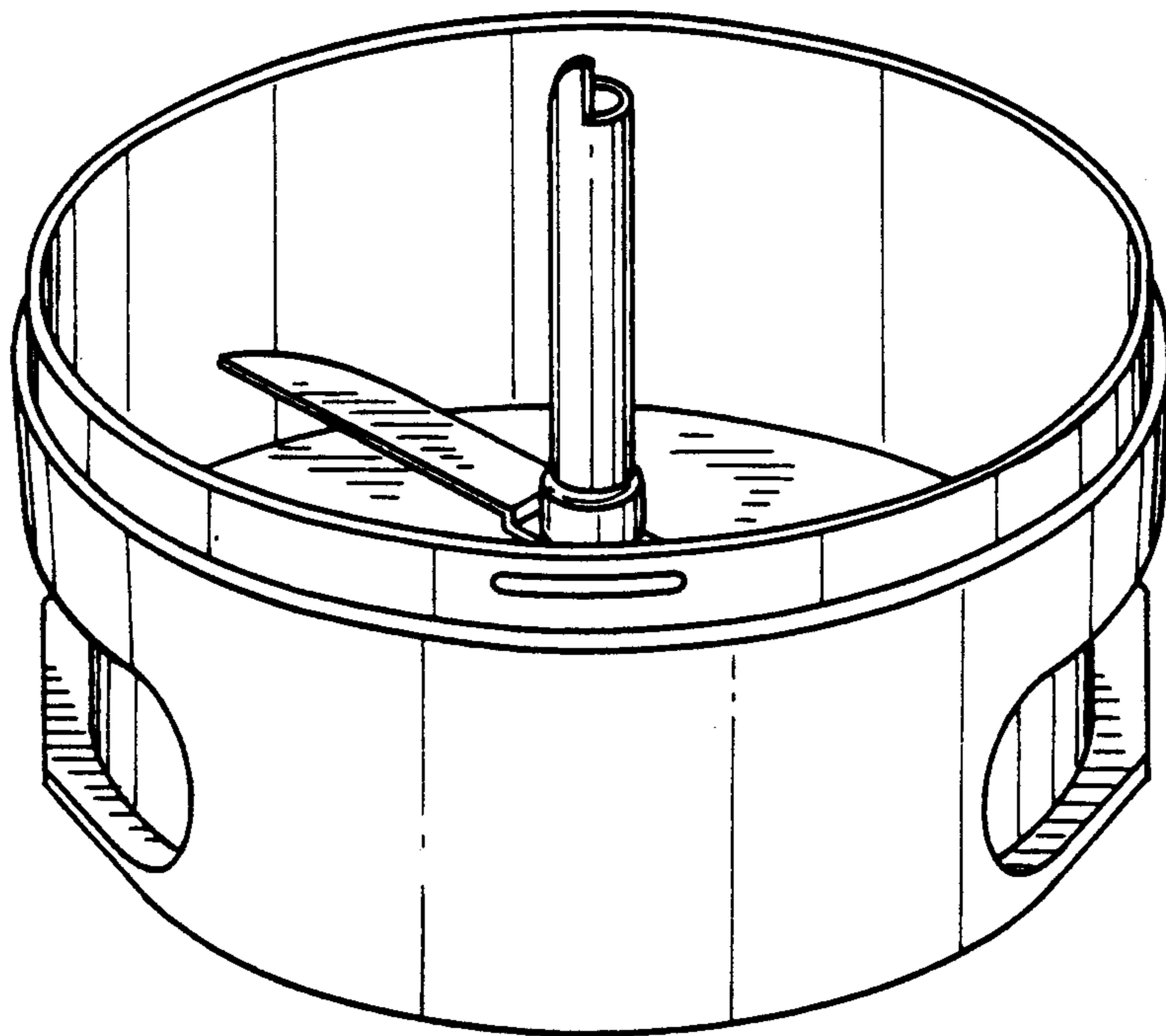
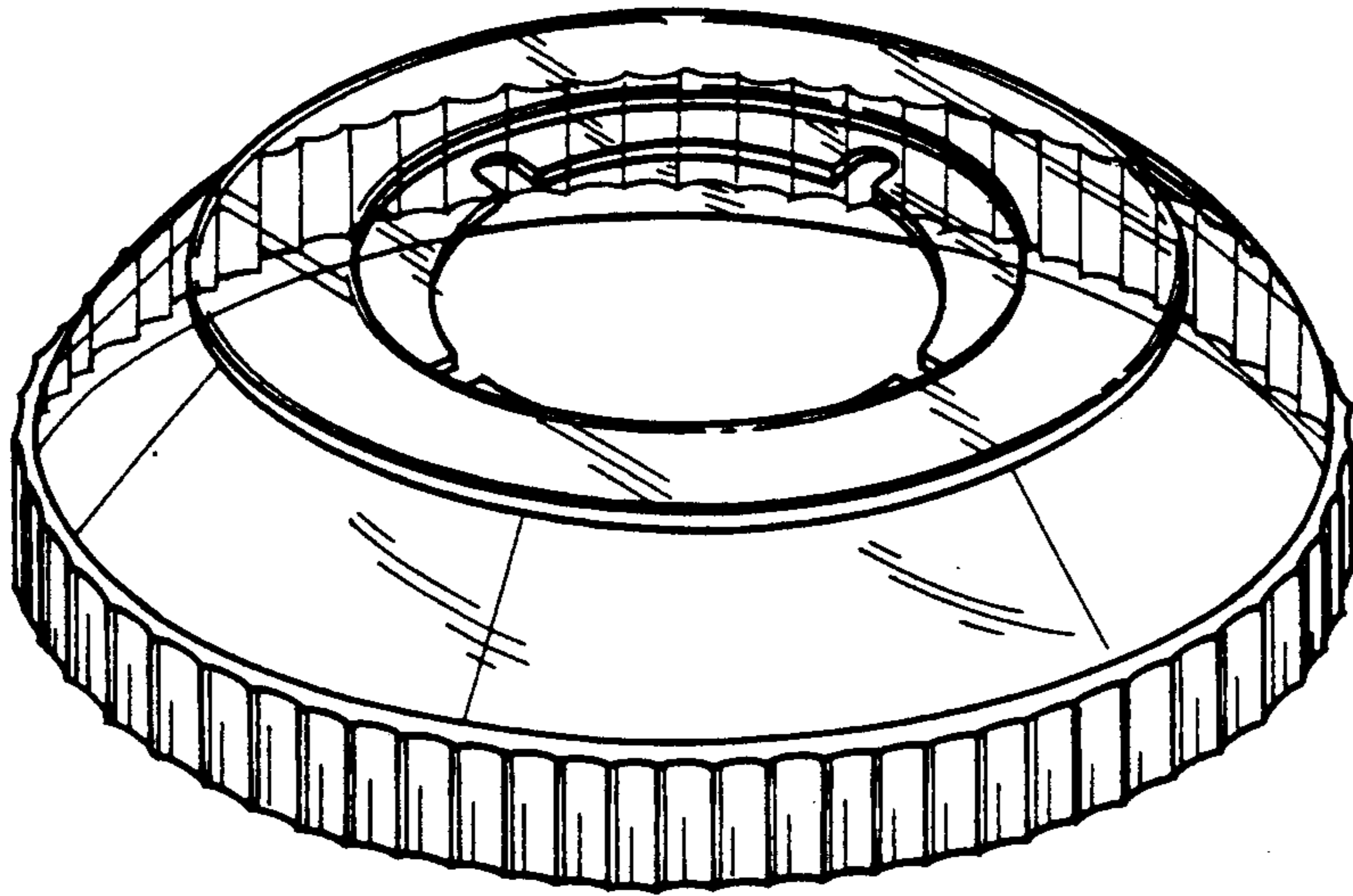


FIG. 5

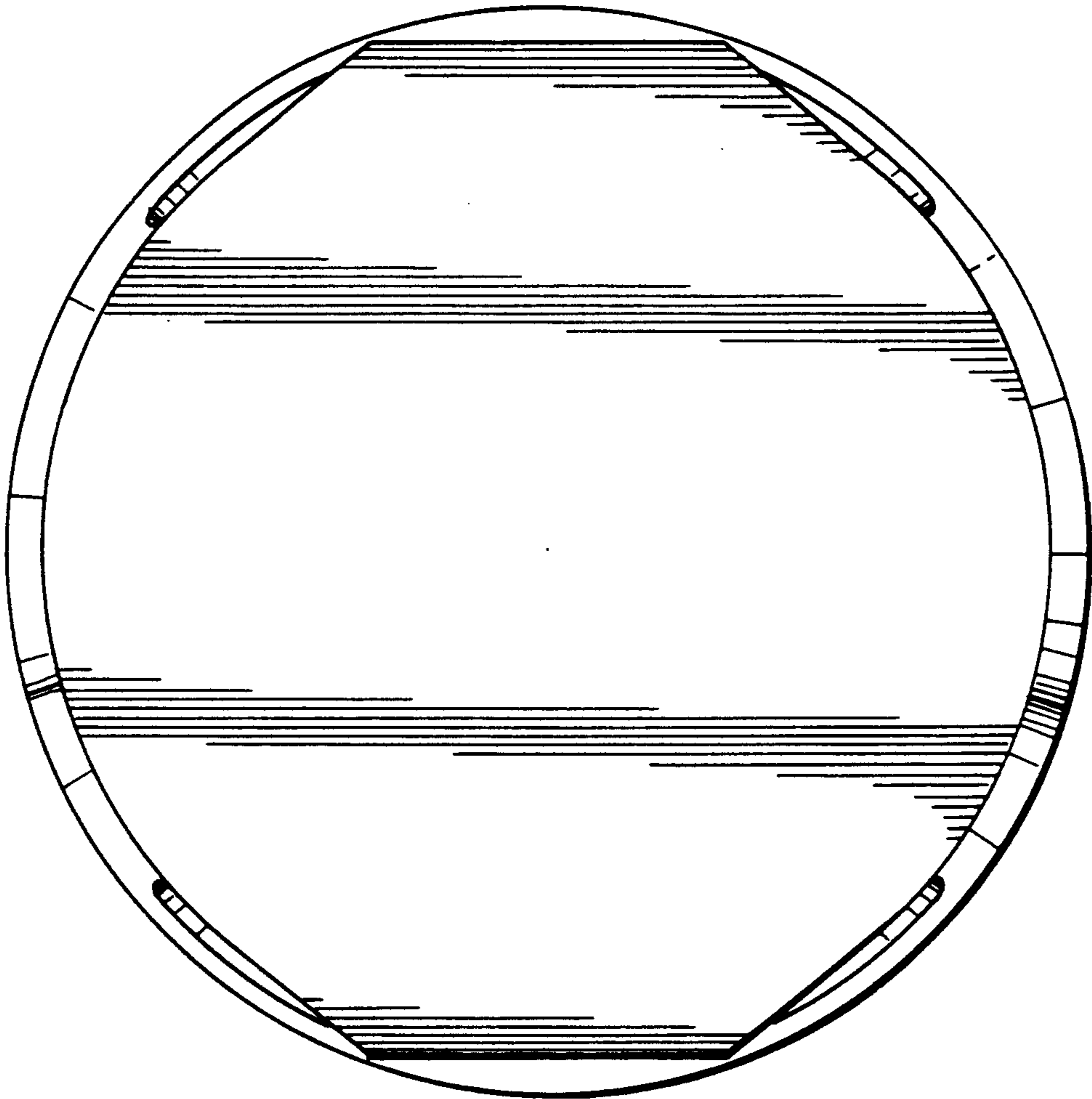


FIG. 6

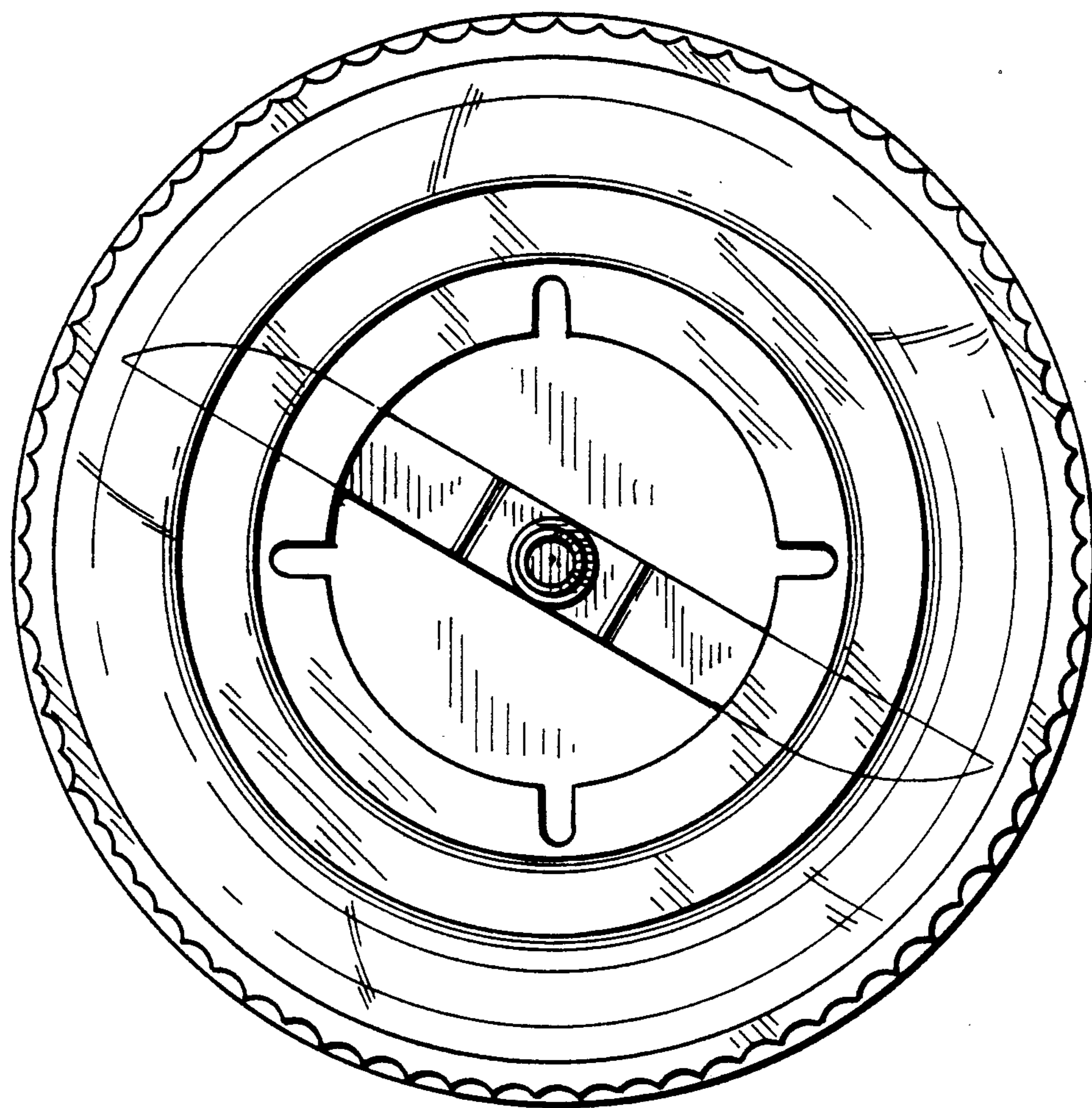


FIG. 7