

[54] MICROWAVE OVEN

[75] Inventor: Keon O. Kim, Seoul, Rep. of Korea

[73] Assignee: Gold Star Co., Ltd., Seoul, Rep. of Korea

[**] Term: 14 Years

[21] Appl. No.: 355,310

[22] Filed: May 22, 1989

[30] Foreign Application Priority Data

Dec. 28, 1988 [KR] Rep. of Korea 88-17773

[52] U.S. Cl. D7/351

[58] Field of Search D7/350, 351;
219/10.55 R, 10.55 A, 10.55 C, 10.55 D, 10.55
F; 126/273 R, 273 A, 275 R, 275 E

[56] References Cited

U.S. PATENT DOCUMENTS

D. 287,925 1/1987 Kubo et al. D7/351
D. 293,540 1/1988 Choi D7/351
D. 293,541 1/1988 Song D7/351
D. 293,542 1/1988 Yoo D7/351

D. 294,108 2/1988 Choi D7/351
D. 294,216 2/1988 Choi D7/351
D. 294,327 2/1988 Yoo D7/351
D. 297,392 8/1988 Han D7/351
D. 304,800 11/1989 Yoo D7/351
D. 306,958 4/1990 Yamada et al. D7/351

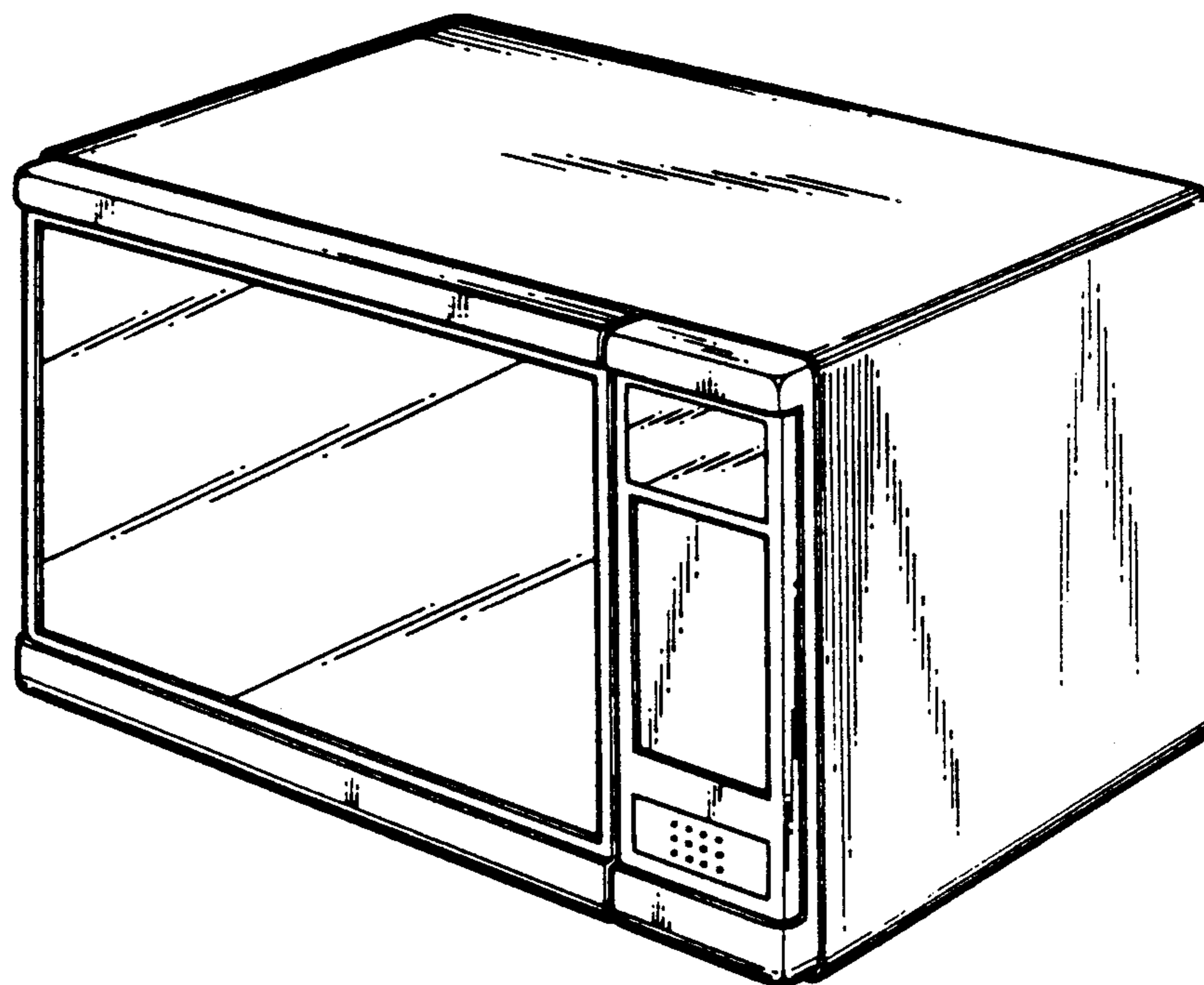
Primary Examiner—A. Hugo Word
Assistant Examiner—Ruth McInroy
Attorney, Agent, or Firm—Birch, Stewart, Kolasch &
Birch

[57] CLAIM

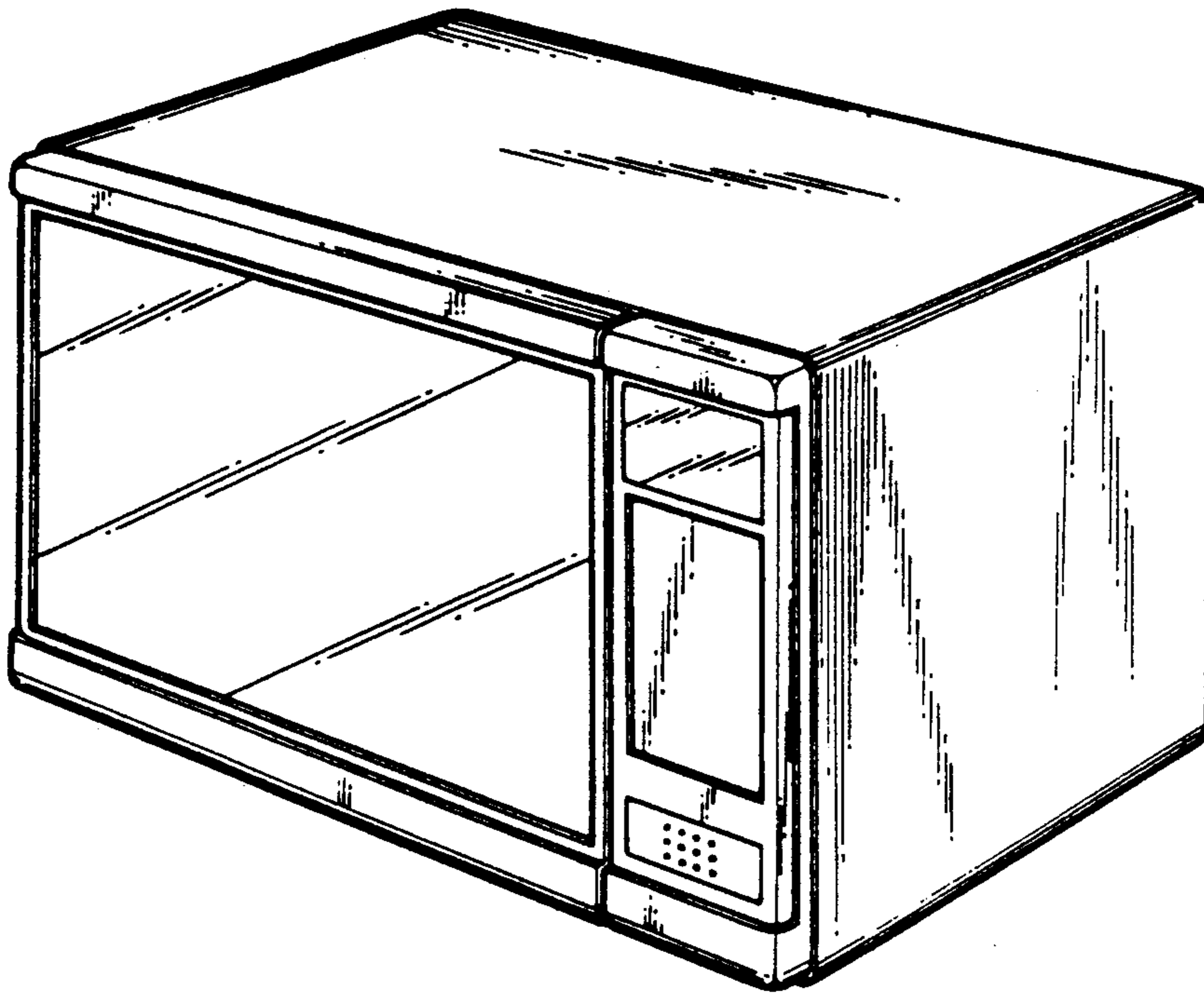
The ornamental design for a microwave oven, as shown and described.

DESCRIPTION

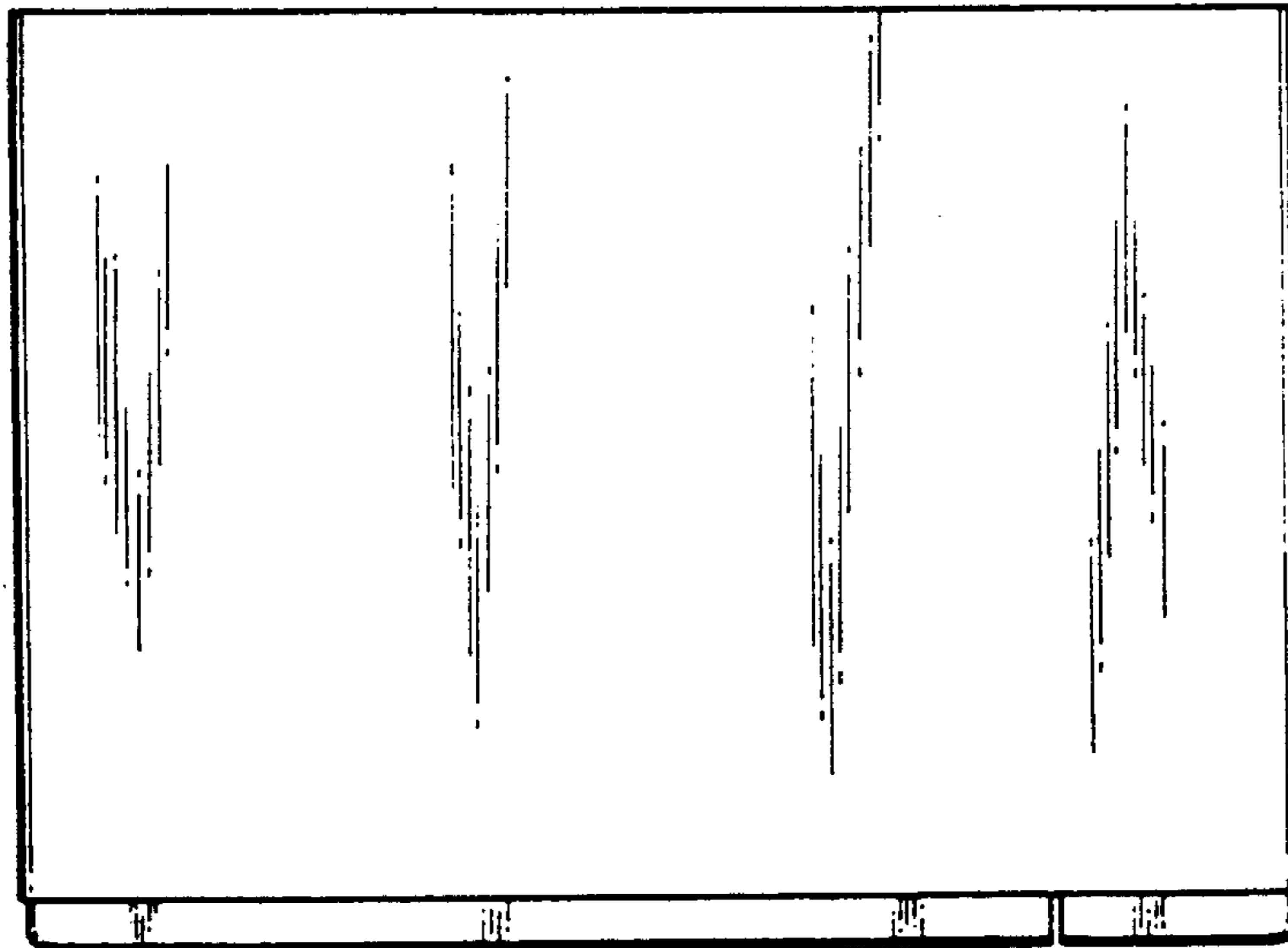
FIG. 1 is a perspective view of a microwave oven showing my new design;
FIG. 2 is a top plan view thereof;
FIG. 3 is a front elevational view thereof;
FIG. 4 is a bottom plan view thereof;
FIG. 5 is a rear elevational view thereof; and
FIG. 6 is a right side elevational view thereof, the left side being a mirror image.



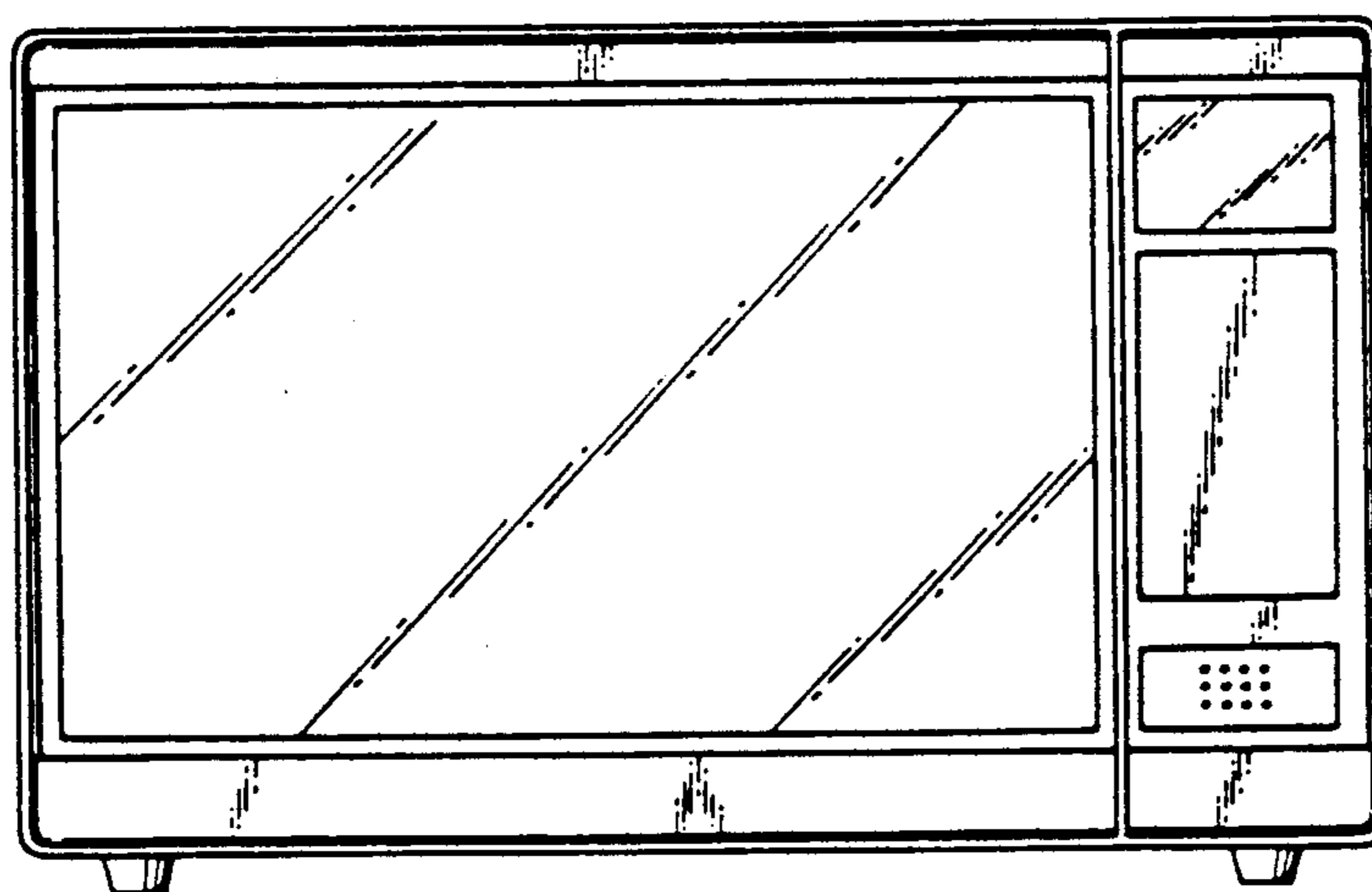
F I G . 1



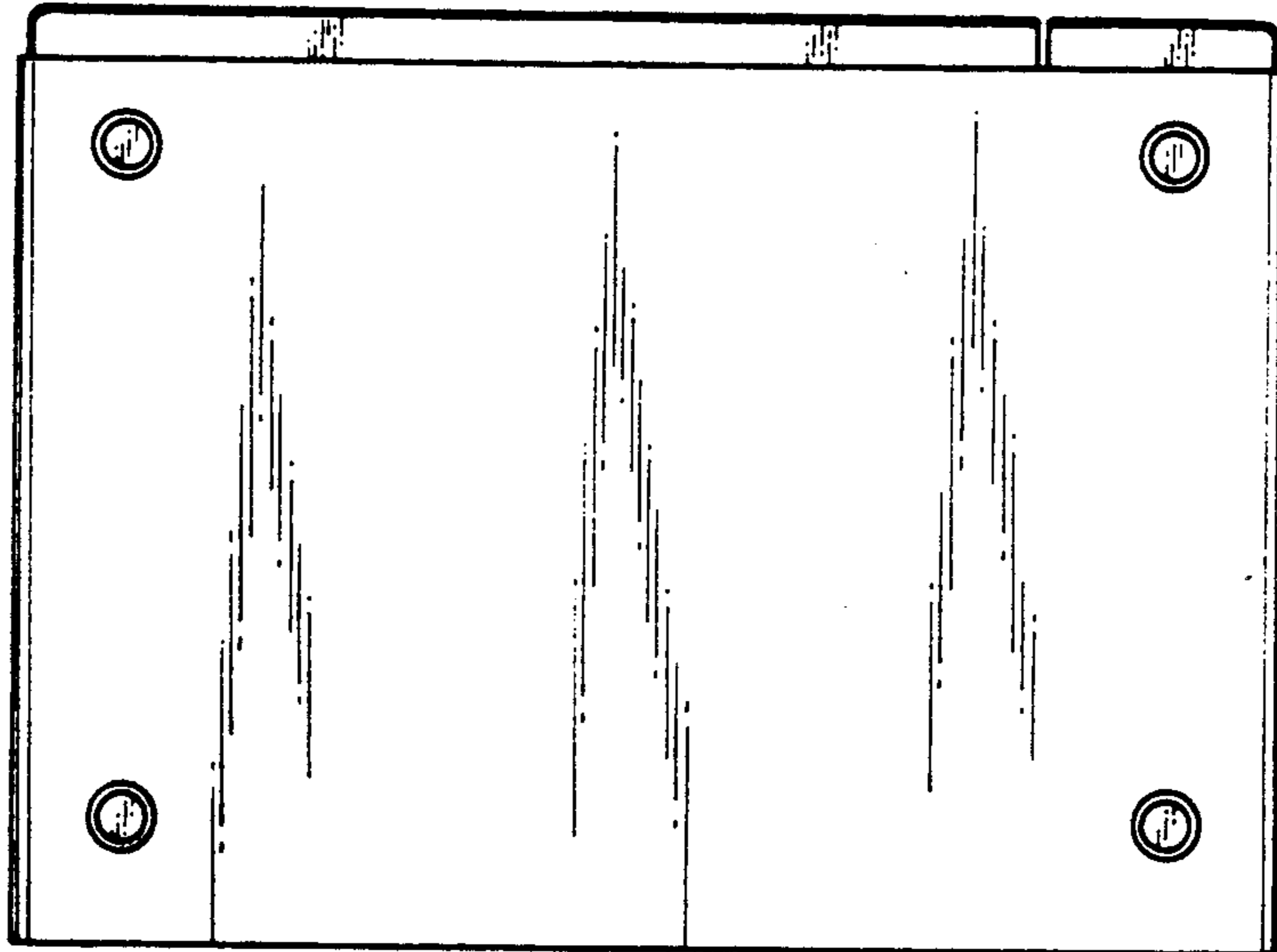
F I G . 2



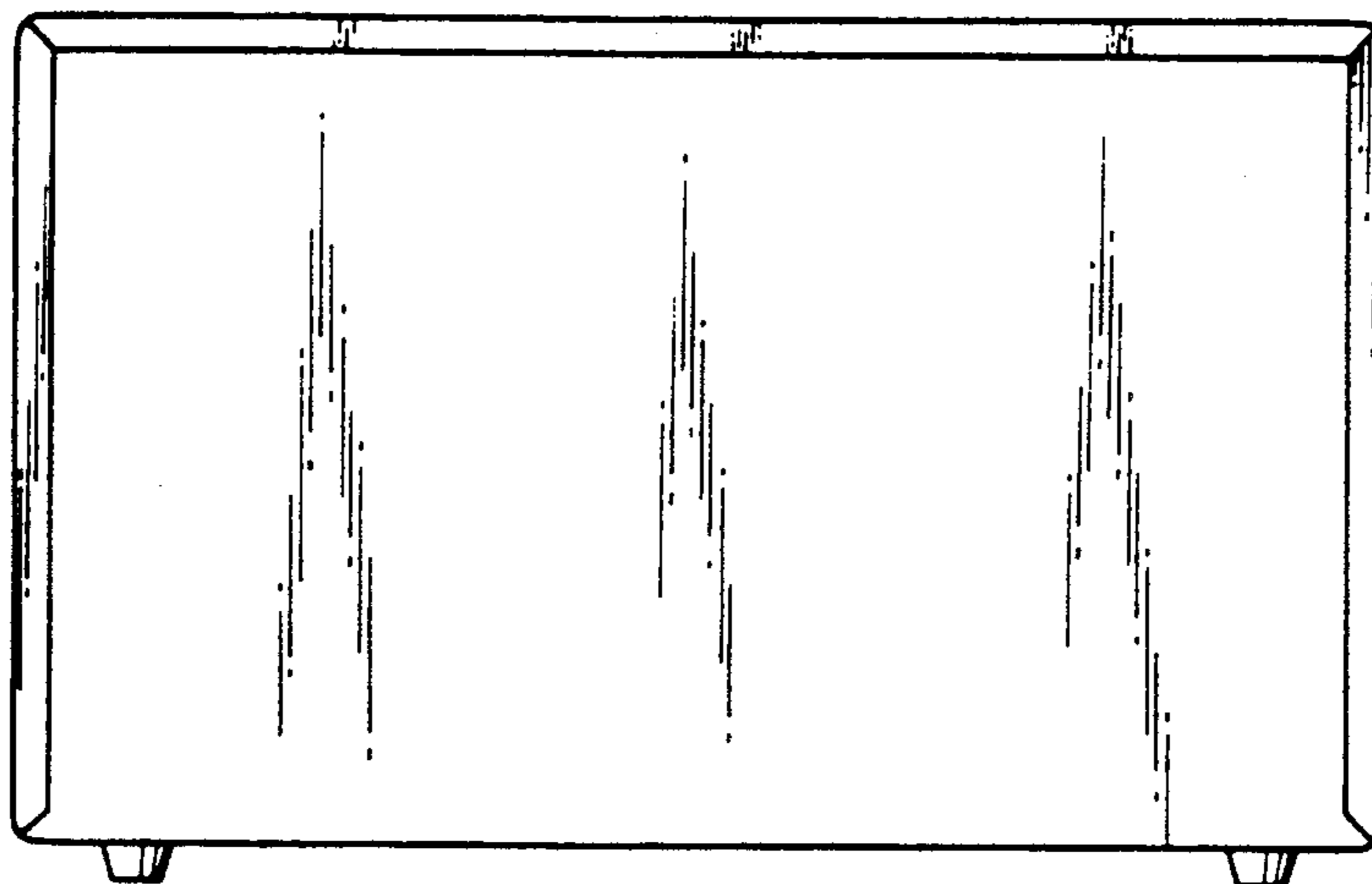
F I G . 3



F I G . 4



F I G . 5



F I G . 6

