

[54] **TUB AND SHOWER SHELF**

[76] **Inventor: Steven L. Truffa, 440 Skyway Dr., San Jose, Calif. 95111**

[\*\*] **Term: 14 Years**

[21] **Appl. No.: 223,489**

[22] **Filed: Jul. 25, 1988**

[52] **U.S. Cl. .... D6/524**

[58] **Field of Search ..... D6/512, 524, 567, 574, D6/491, 511; 47/66, 68; 108/25, 28, 42, 47, 91-92, 150, 157; 211/126, 134; D25/38, 43-44**

[56] **References Cited**

**U.S. PATENT DOCUMENTS**

D. 203,160	12/1965	Blum .....	D25/38 X
D. 220,476	4/1971	Horgan, Jr. ....	D25/44
D. 265,875	8/1982	Wolf et al. ....	D6/561
D. 288,998	3/1987	Wiggins .....	D6/524
D. 305,799	1/1990	Manzo .....	D25/38
1,293,785	2/1919	Hurst .....	47/68
2,099,932	11/1937	Isaacson .....	4/68
3,269,551	8/1966	Hertzel .....	47/68
3,295,470	1/1967	Johnson .....	108/47
3,411,752	11/1968	Bos .....	D25/38 X
3,625,162	12/1971	Crew .....	108/47
3,777,438	12/1973	Brown .....	D25/38 X
4,174,589	11/1979	Daharsh .....	47/66
4,559,738	12/1985	Helfman .....	47/66
4,640,045	2/1987	Nesbitt et al. ....	47/68
4,698,936	10/1987	Helfman .....	47/68

4,748,770 6/1988 Cline ..... 47/68

*Primary Examiner*—Wallace R. Burke  
*Assistant Examiner*—Brian N. Vinson

[57] **CLAIM**

The ornamental design for a tub and shower shelf, as shown and described.

**DESCRIPTION**

FIG. 1 is a top, front, and left side perspective view of a tub and shower shelf showing my new design, the fragmentary broken-line depiction of shower doors being for illustrative purposes only and forming no part of the claimed design;

FIG. 2 is a top plan view thereof;

FIG. 3 is a front elevational view thereof, the rear elevational view being a mirror image;

FIG. 4 is a right side elevational view thereof, the left side elevational view being a mirror image;

FIG. 5 is a bottom plan view thereof;

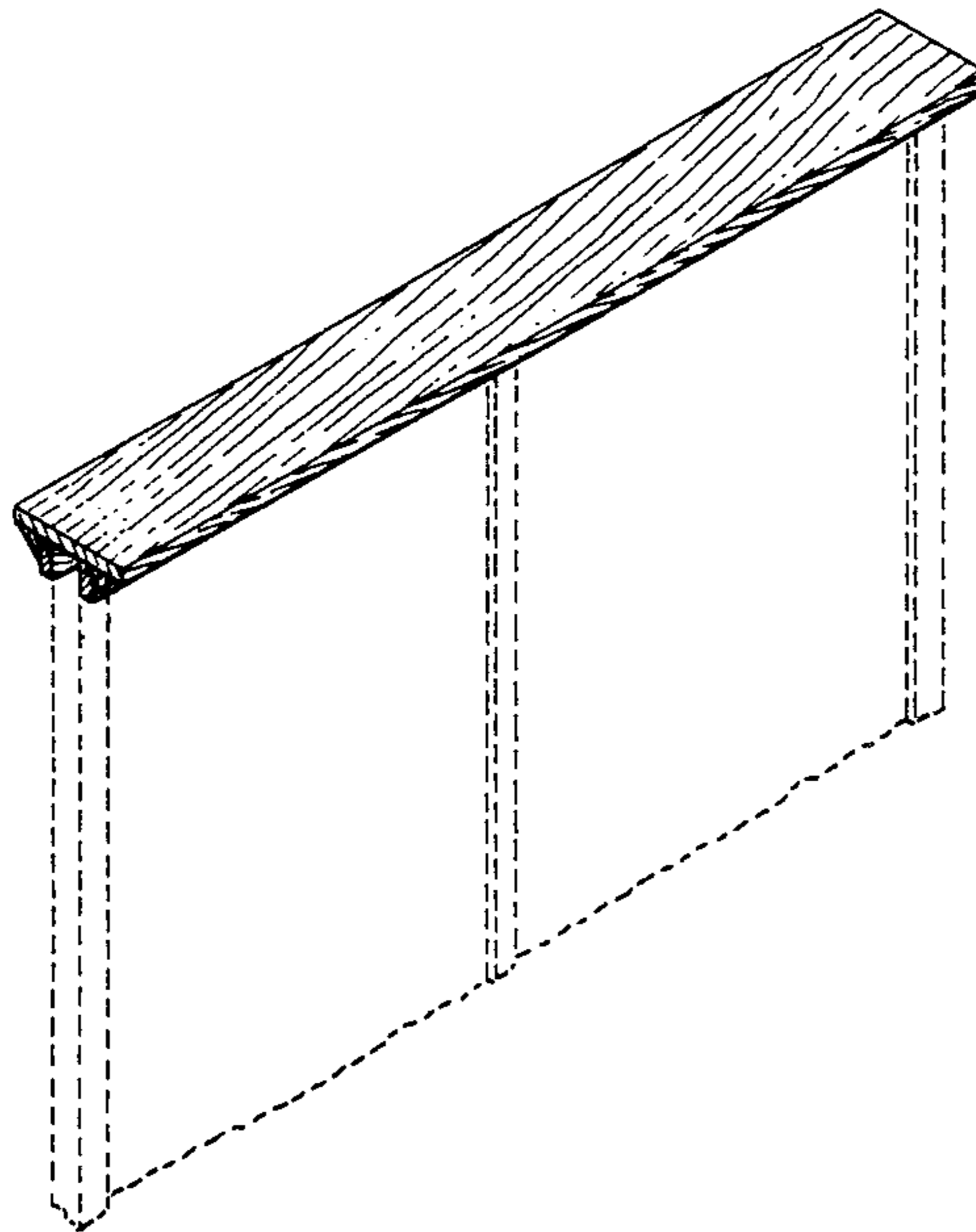
FIG. 6 is a top, front, and left side perspective view of a second embodiment of a tub and shower shelf showing my new design, the fragmentary broken-line depiction of shower doors being for illustrative purposes only and forming no part of the claimed design;

FIG. 7 is a top plan view thereof;

FIG. 8 is a front view thereof, the rear elevational view being a mirror image;

FIG. 9 is a right side elevational view thereof, the left side elevational view being a mirror image; and

FIG. 10 is a bottom plan view thereof.



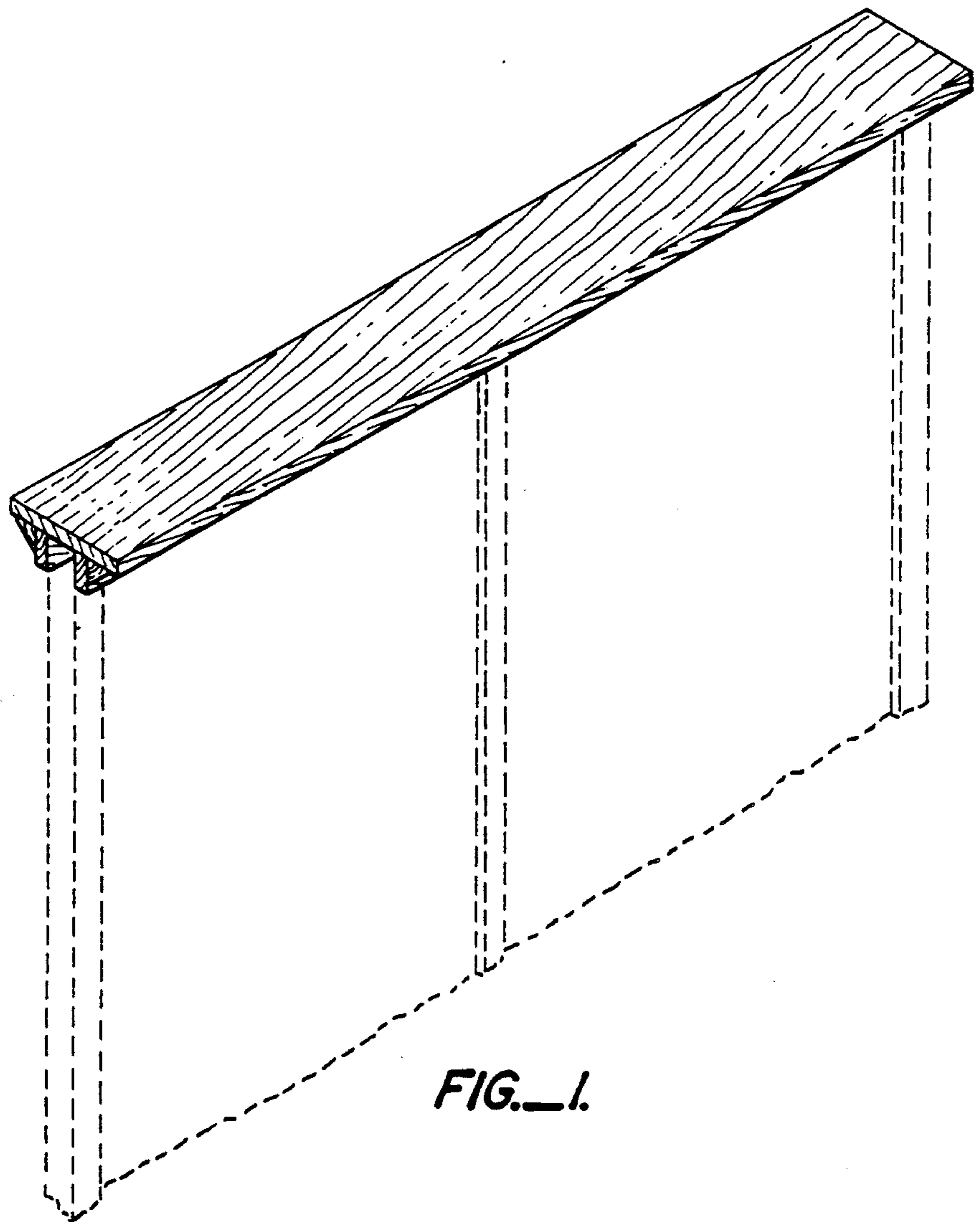


FIG. 1.

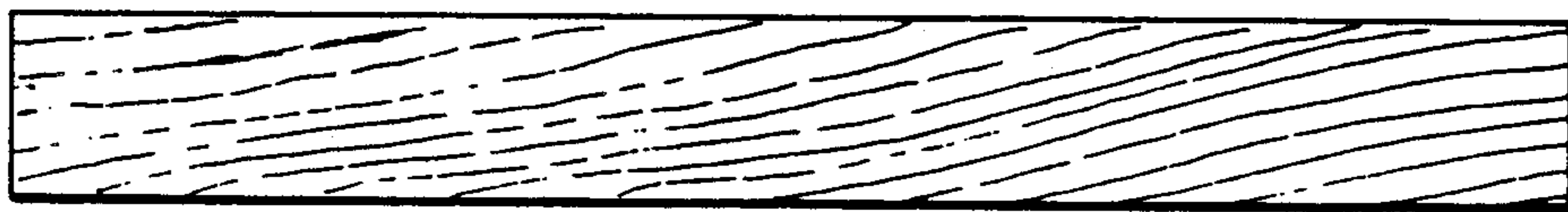


FIG. 2.



FIG. 3.



FIG. 4.

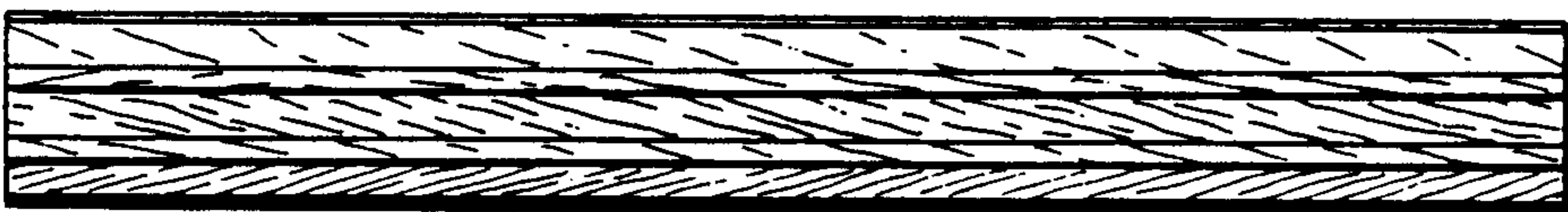


FIG. 5.

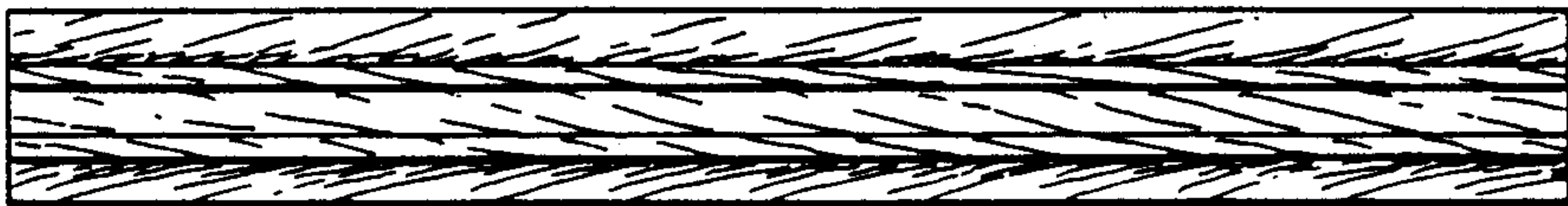
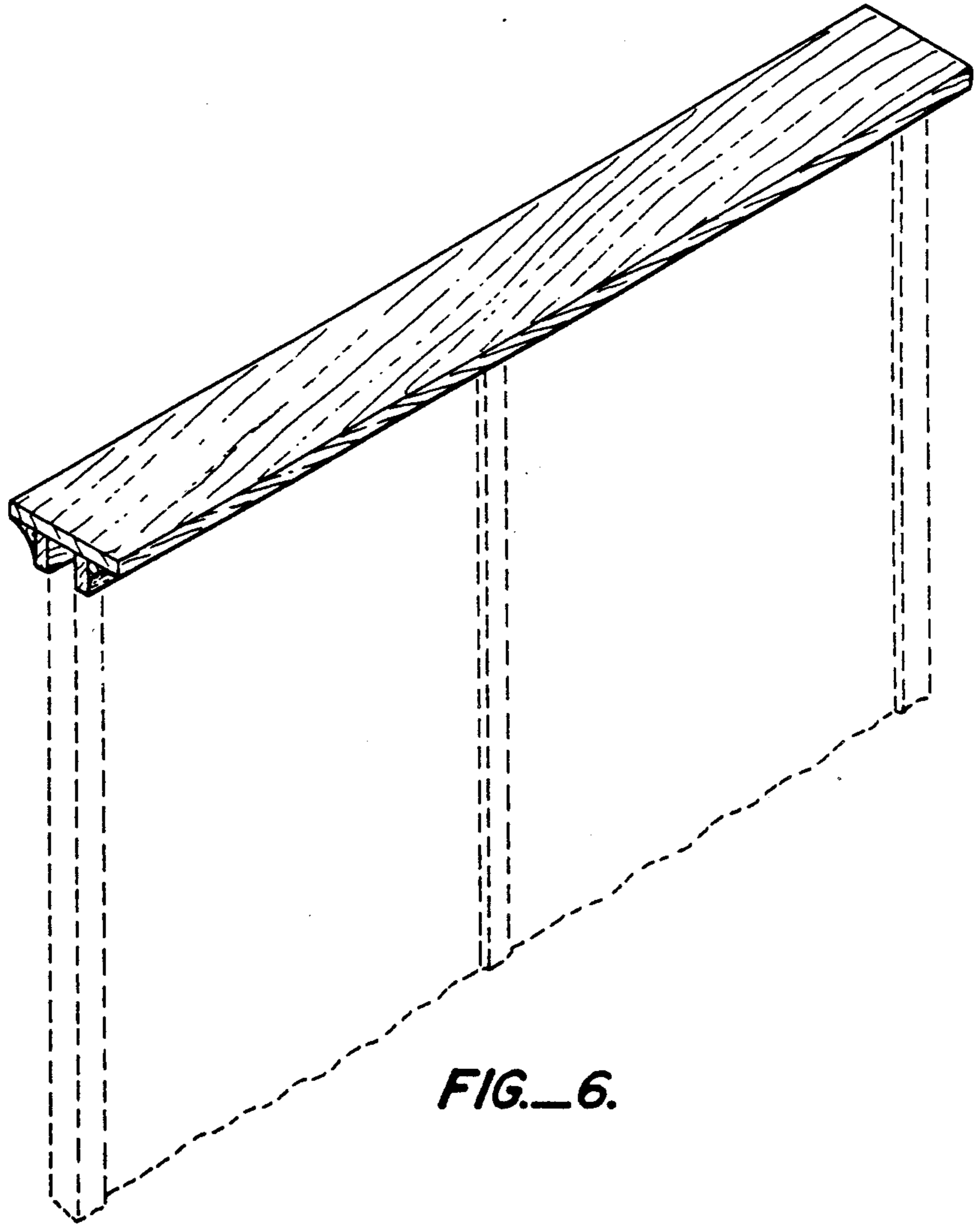


FIG. 9.