

[54] **CURLING BROOM**  
[75] **Inventor: James B. Furgale, Winnipeg, Canada**  
[73] **Assignee: Furgale Industries Limited,  
Manitoba, Canada**  
[\*\*] **Term: 14 Years**  
[21] **Appl. No.: 221,041**  
[22] **Filed: Jul. 8, 1988**  
[30] **Foreign Application Priority Data**  
Mar. 11, 1988 [CA] Canada ..... 11-03-88-3  
[52] **U.S. Cl. .... D4/135; D32/50**  
[58] **Field of Search ..... D4/130, 132, 135, 138,  
D4/199; D32/50-52; 15/143 R, 145-146, 159  
R, 159 A, 160; 401/268-291**

[56] **References Cited**  
**U.S. PATENT DOCUMENTS**  
D. 280,248 8/1985 Hanson, Jr. .... D4/132 X  
1,549,341 8/1925 Weiss ..... 401/288  
1,718,117 6/1929 Dainos ..... 401/291 X

4,638,522 1/1987 Robertson ..... 15/160 X

**FOREIGN PATENT DOCUMENTS**

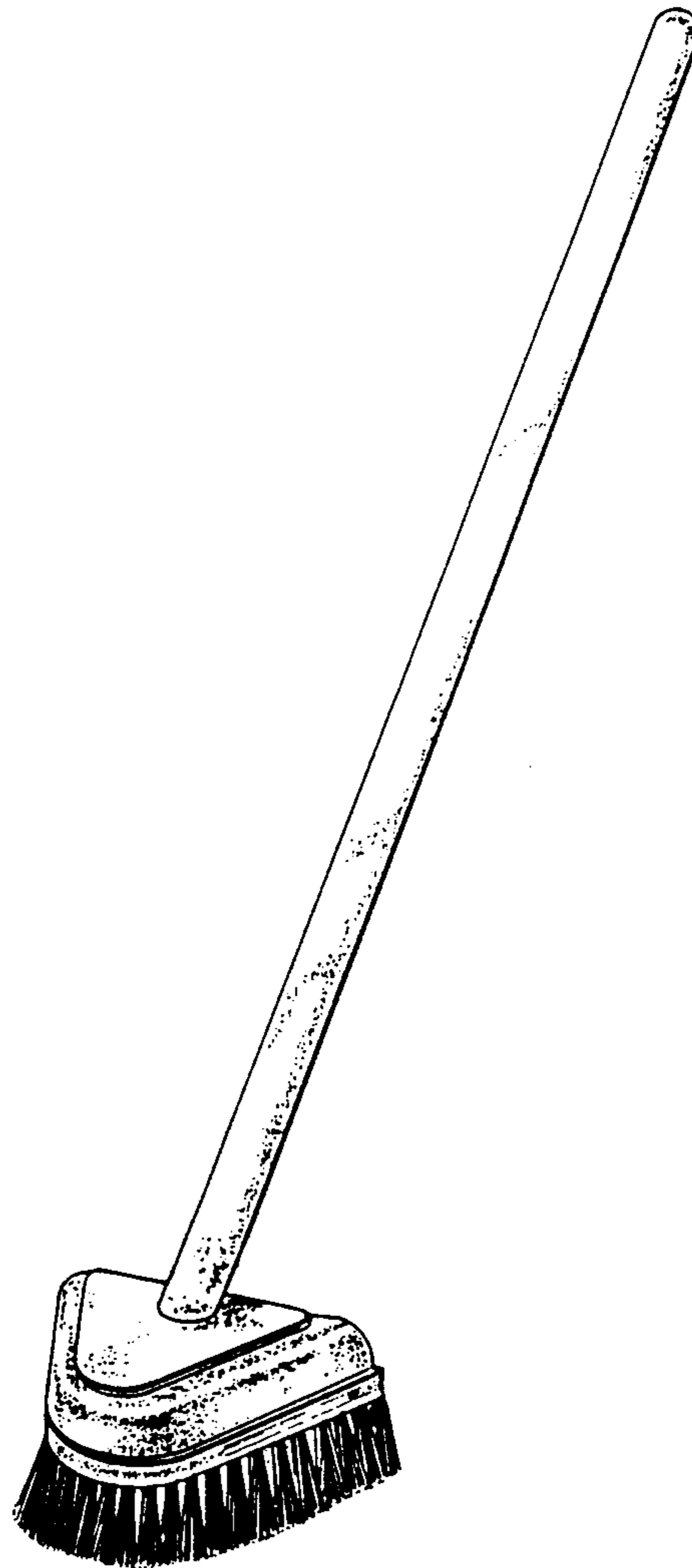
163044 4/1948 Canada .  
50714 1/1983 Canada .  
1225504 8/1987 Canada .  
1016746 11/1952 France ..... 15/176.3

*Primary Examiner*—Wallace R. Burke  
*Assistant Examiner*—Lavone D. Tabor  
*Attorney, Agent, or Firm*—Beveridge, DeGrandi &  
Weilacher

[57] **CLAIM**  
The ornamental design for a curling broom, as shown  
and described.

**DESCRIPTION**

FIG. 1 is an isometric view of a curling broom showing  
my new design;  
FIG. 2 is a front elevational view thereof;  
FIG. 3 is a top plan view thereof; and  
FIG. 4 is a side elevational view, the opposite side being  
a mirror image thereof.



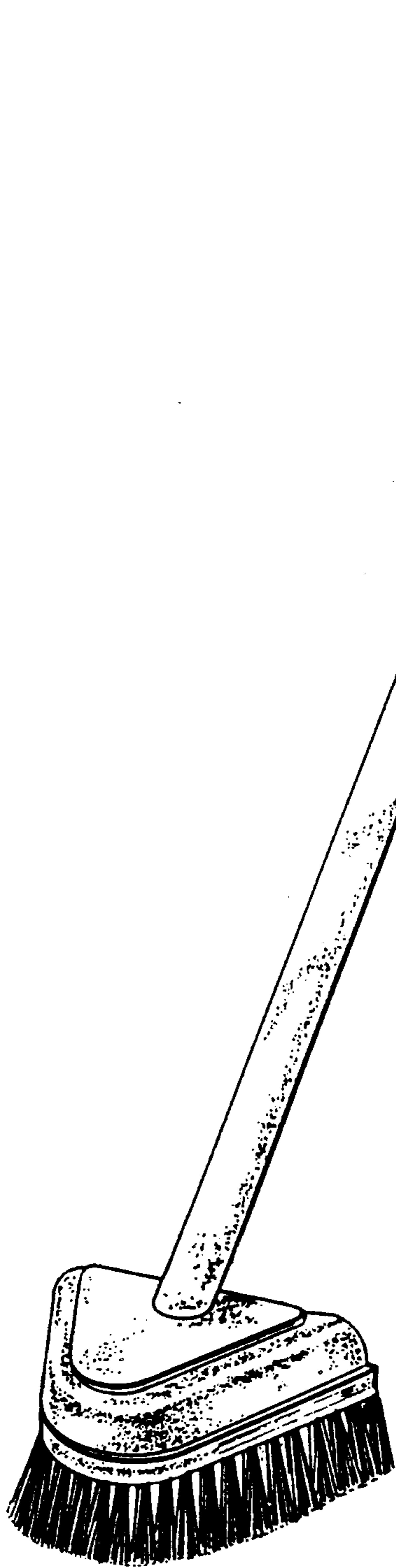


FIG. 1

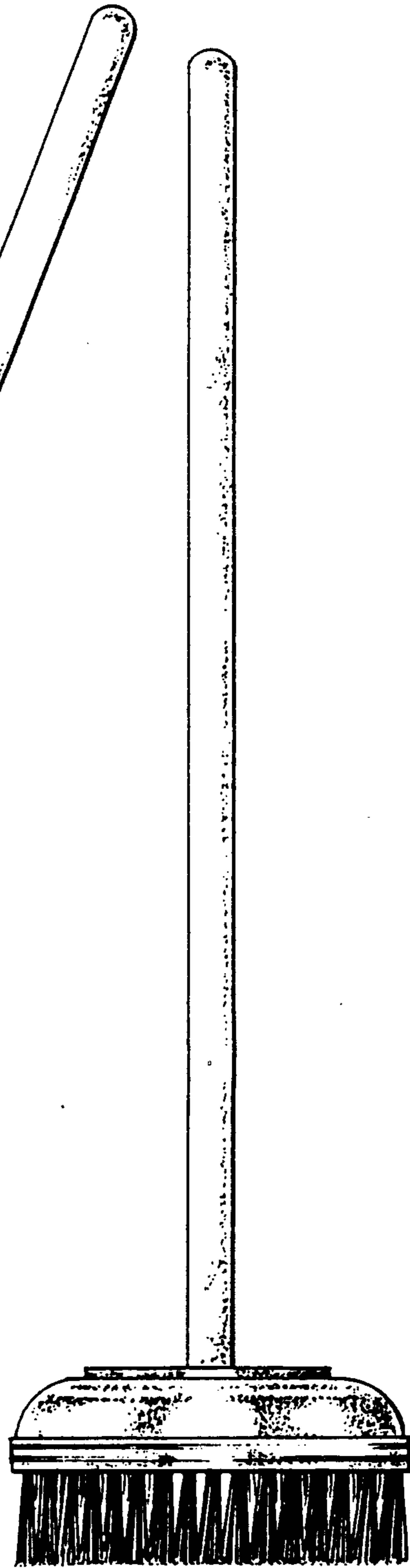


FIG. 2

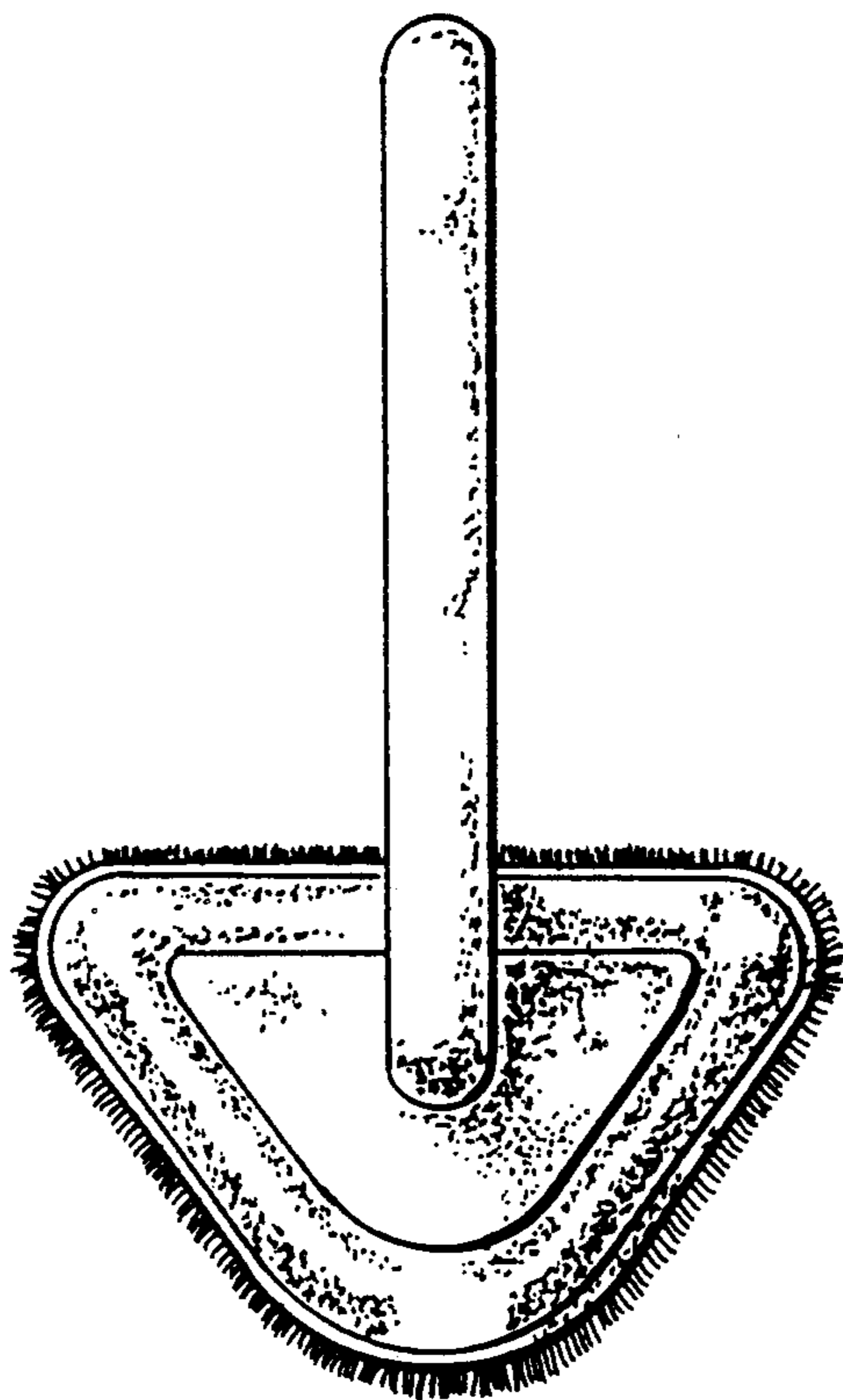


FIG. 3

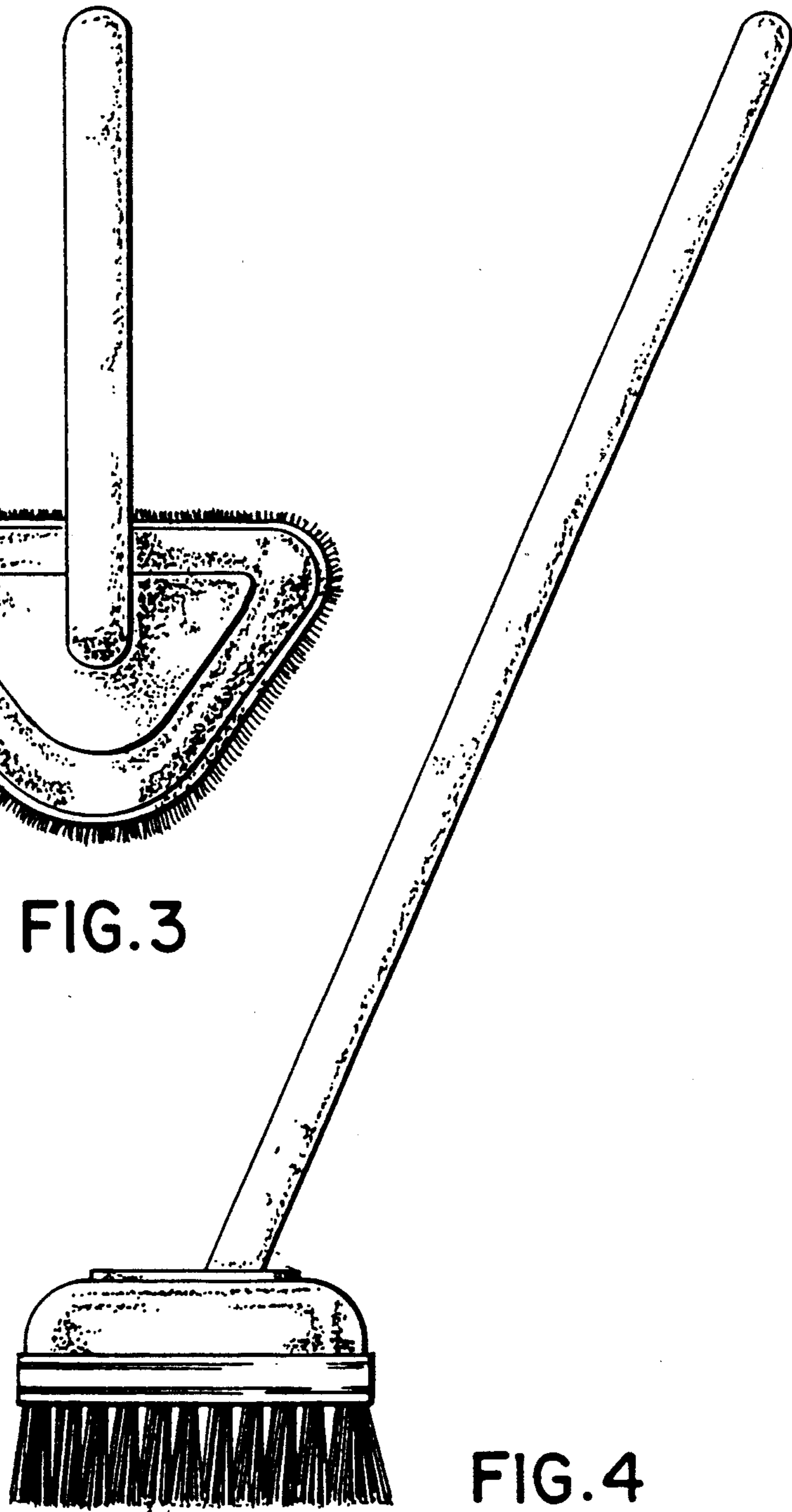


FIG. 4