

[54] KEY CARRYING CARD

[76] Inventor: Tom N. Semeniuk, 22 Livingston Place, Winnipeg, Manitoba R3T 3T5, Canada

[**] Term: 14 Years

[21] Appl. No.: 252,974

[22] Filed: Oct. 4, 1988

D. 265,020 6/1982 Silton D3/61
D. 295,920 5/1988 Osofsky et al. D3/61
2,228,726 1/1941 Loesch D3/61

Primary Examiner—Louis S. Zarfaz
Assistant Examiner—R. T. Seifert
Attorney, Agent, or Firm—Murray E. Thrift; Stanley G. Ade; Adrian D. Battison

[57] CLAIM

The ornamental design for a key carrying card, as shown and described.

Related U.S. Application Data

[62] Division of Ser. No. 66,051, Jun. 24, 1987, abandoned.
[52] U.S. Cl. D3/103; D3/61
[58] Field of Search D3/56, 103, 61-64;
70/456, 458, 459

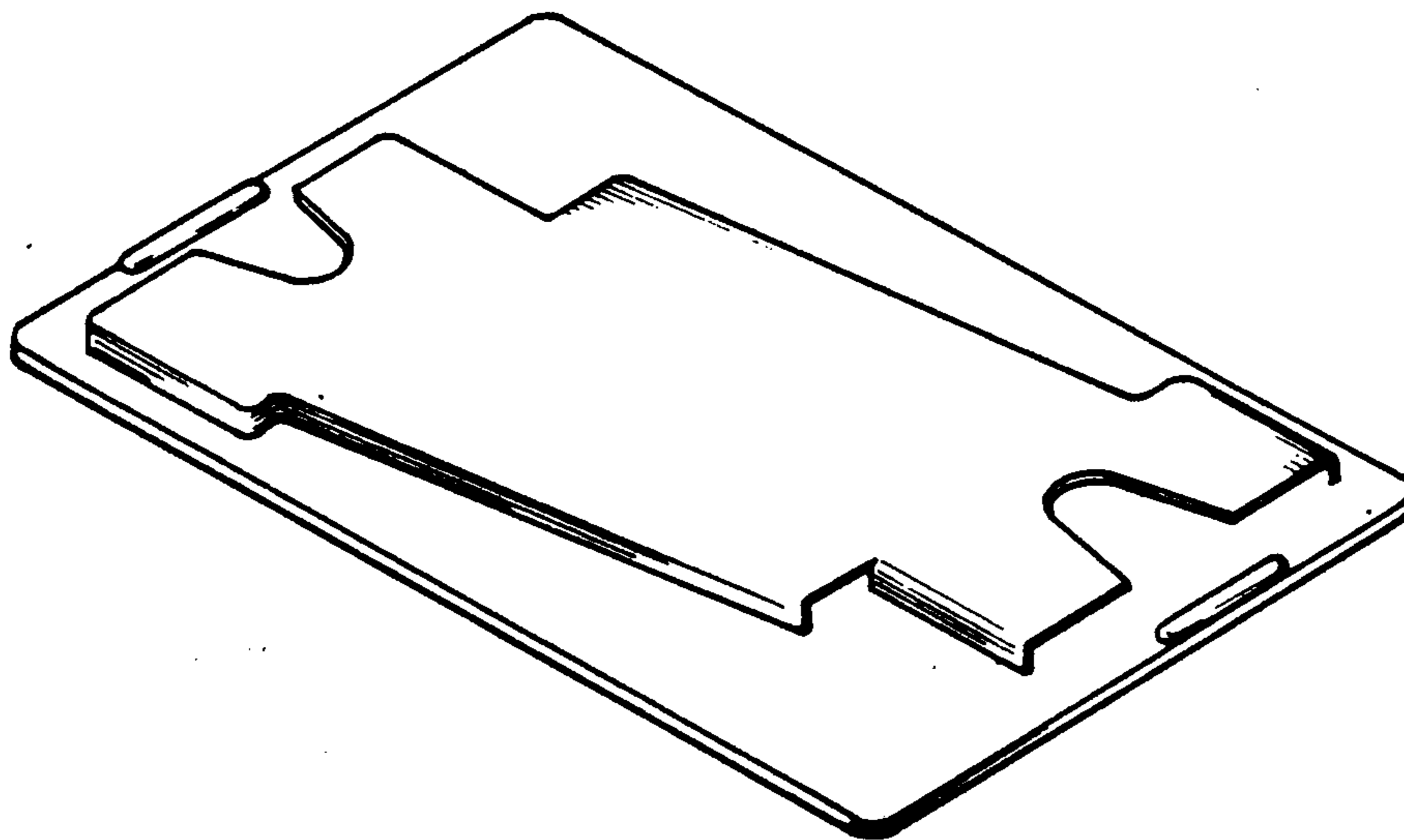
DESCRIPTION

FIG. 1 is a perspective view of a key carrying card showing my new design;
FIG. 2 is a top plan view;
FIG. 3 is a left side elevational view;
FIG. 4 is a front elevational view.
The right side elevational view of the card is the same as the left side elevational view. The back side of the card is the same as the front side. The bottom of the card is plain and unfeatured.

[56] References Cited

U.S. PATENT DOCUMENTS

D. 245,371 8/1977 Mowry D3/61
D. 259,073 5/1981 Holmes D3/61



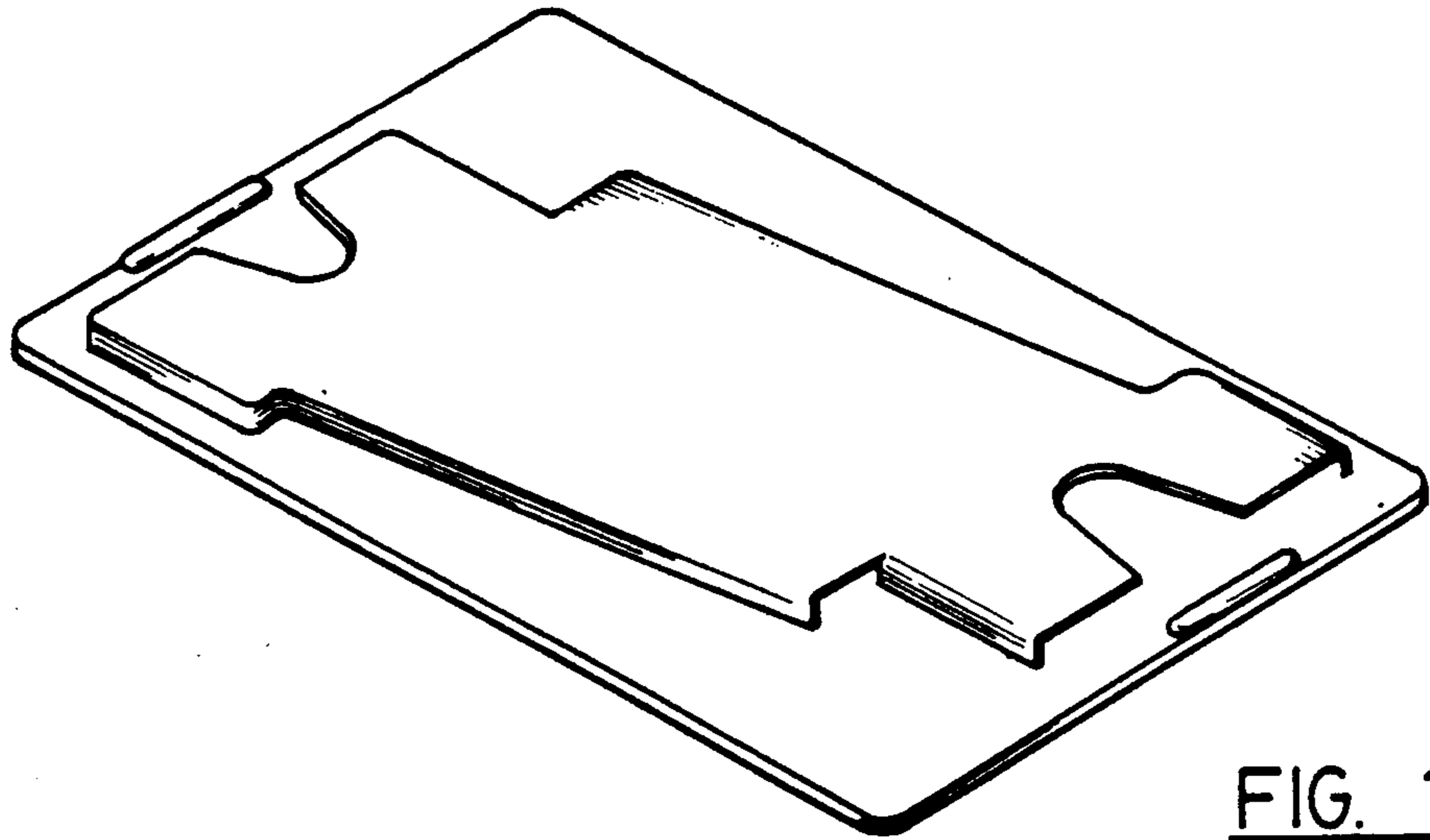


FIG. 1

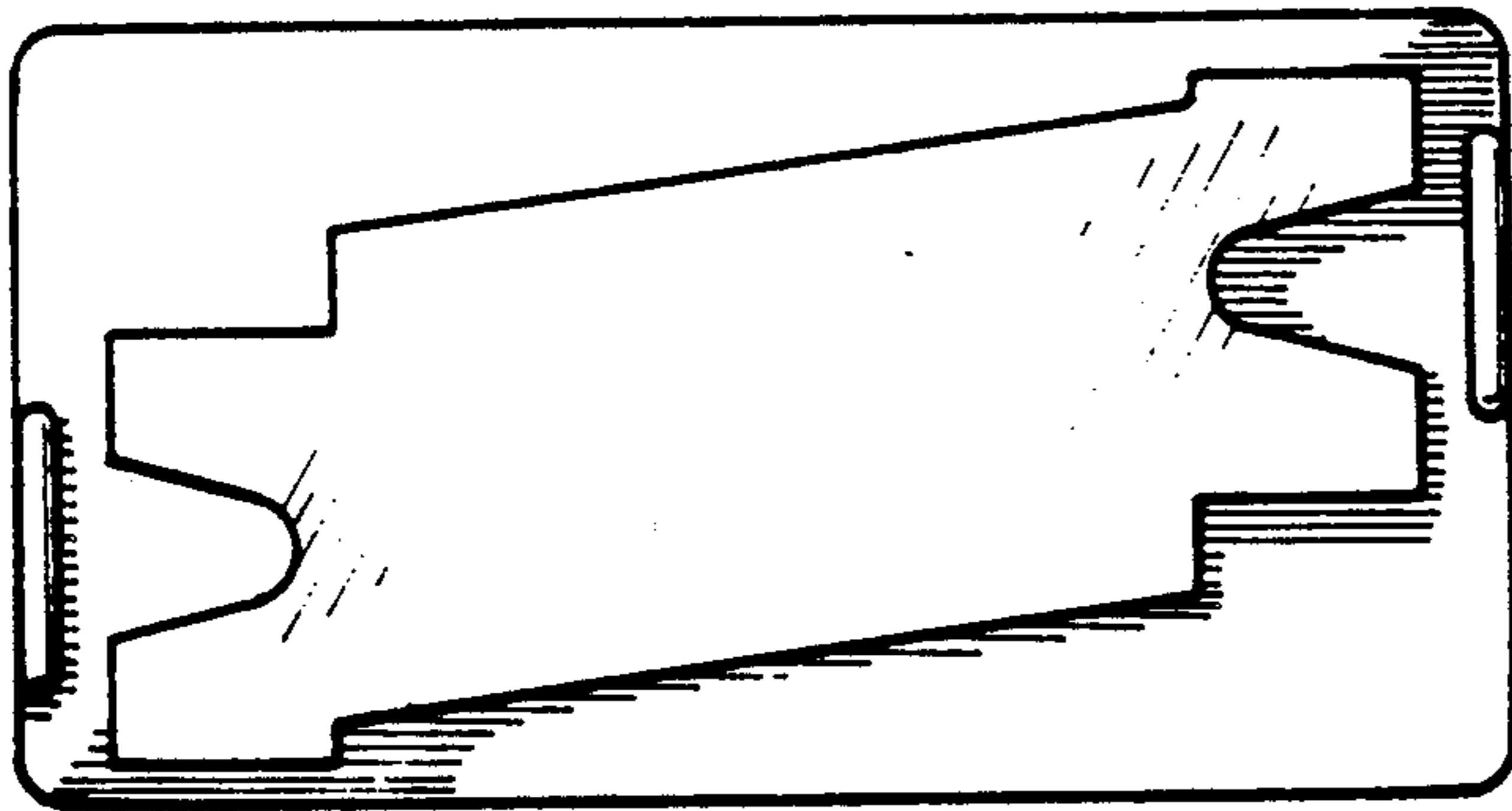


FIG. 2



FIG. 3



FIG. 4