

[54] **DISKETTE STORAGE CONTAINER**

[75] **Inventor: Jack F. Pennell, Sutton Coldfield, United Kingdom**

[73] **Assignee: Ryford Limited, Aldridge, United Kingdom**

[**] **Term: 14 Years**

[21] **Appl. No.: 823,611**

[22] **Filed: Jan. 29, 1986**

[30] **Foreign Application Priority Data**

Aug. 2, 1985 [GB] United Kingdom 1028353

[52] **U.S. Cl.** D3/35; D19/75; D19/90

[58] **Field of Search** D3/35, 30.1, 78; D19/75, 76; D9/422, 423; 206/425, 444, 449, 555, 214, 371; 229/160.1

[56] **References Cited**

U.S. PATENT DOCUMENTS

D. 249,744 9/1978 Lyman D3/78
D. 298,515 11/1988 Pennell D9/423
1,729,126 9/1929 Reimer 206/425

FOREIGN PATENT DOCUMENTS

229850 2/1944 Switzerland 206/425

Primary Examiner—Bruce W. Dunkins
Assistant Examiner—Martha Thompson
Attorney, Agent, or Firm—Klarquist, Sparkman, Campbell, Leigh & Whinston

[57] **CLAIM**

The ornamental design for a diskette storage container, as shown and described.

DESCRIPTION

FIG. 1 is a front perspective view of a diskette storage container showing my new design;

FIG. 2 is a rear elevational view on a reduced scale with respect to FIG. 1;

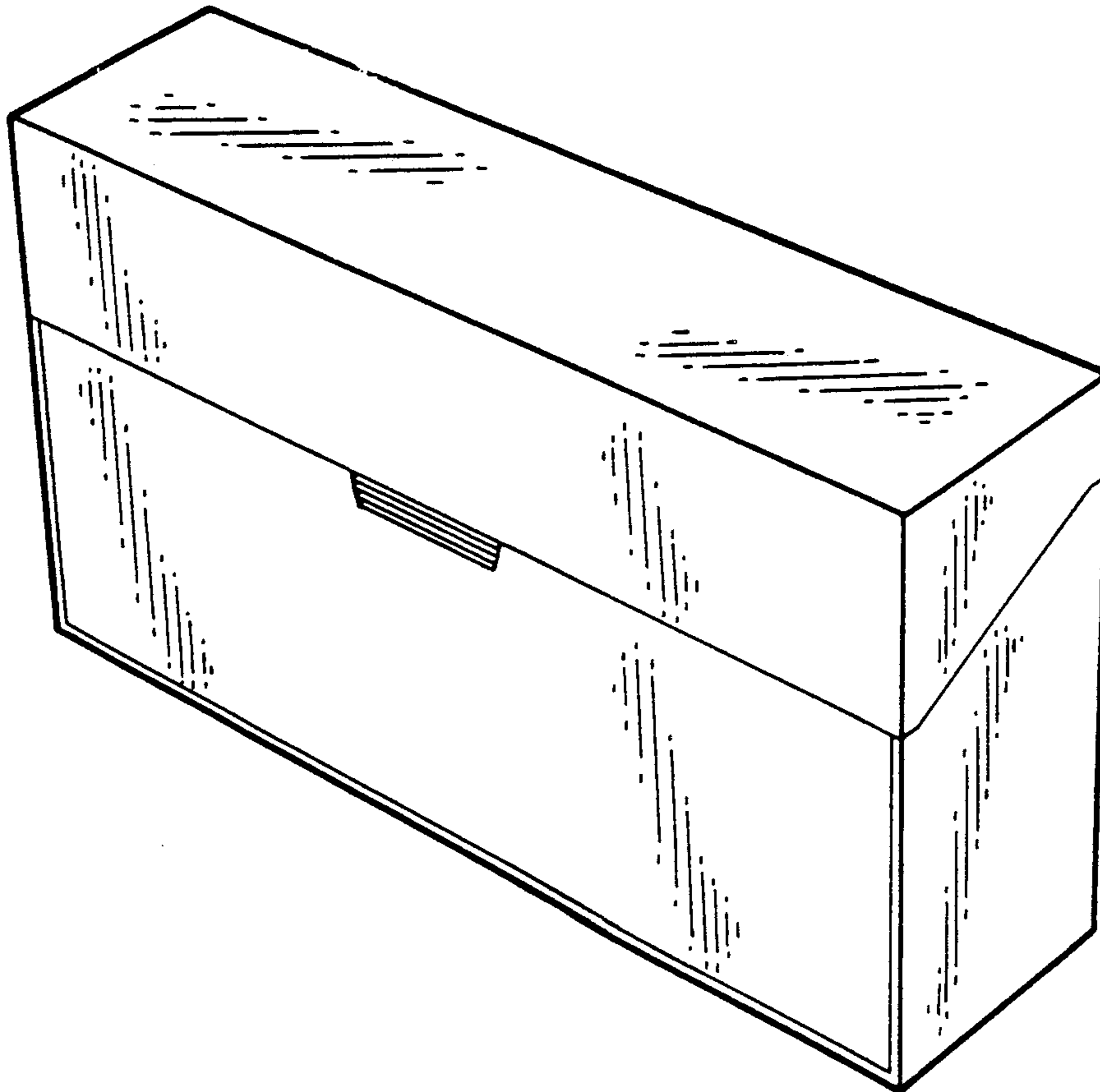
FIG. 3 is a front elevational view on a reduced scale with respect to FIG. 1;

FIG. 4 is a top plan view on a reduced scale with respect to FIG. 1;

FIG. 5 is a side elevational view on a reduced scale with respect to FIG. 1, the opposite side being a mirror image thereof;

FIG. 6 is a cross-sectional view on an enlarged scale with respect to FIG. 1 taken in the direction of arrows 6—6 in FIG. 3; and

FIG. 7 is a front perspective view of FIG. 1 with the lid and front wall in an opened condition.



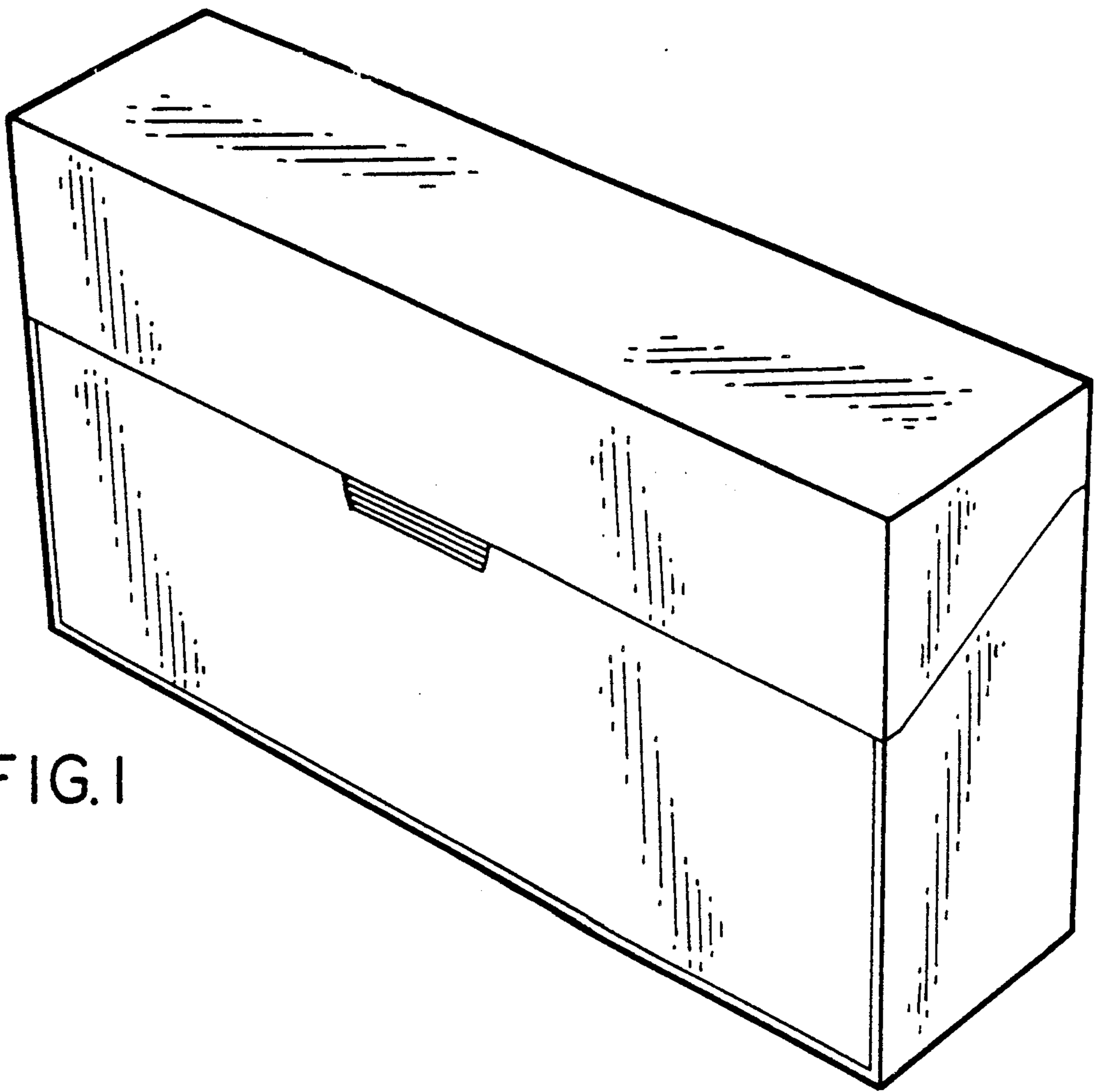


FIG. 1

FIG. 2

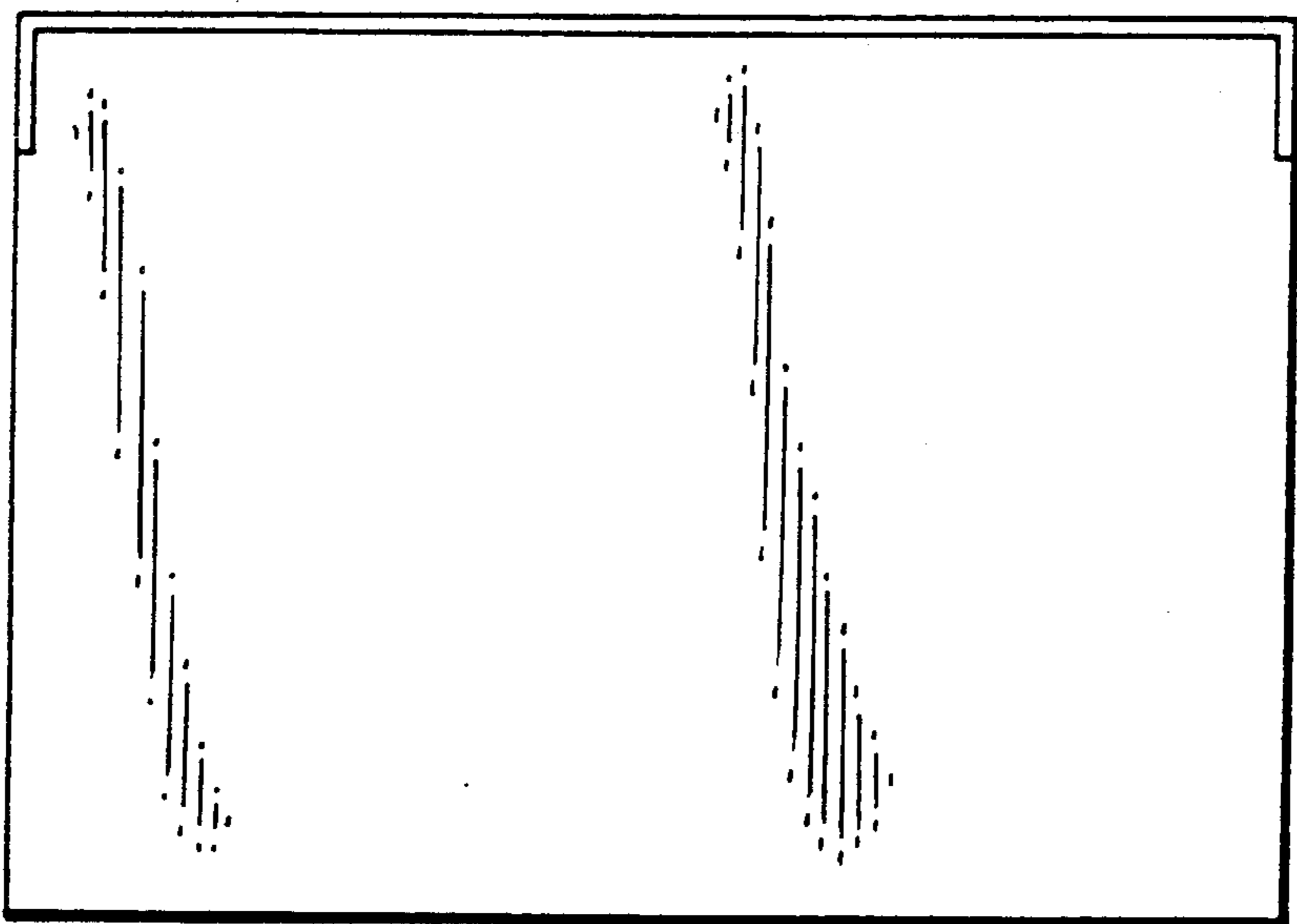


FIG. 3

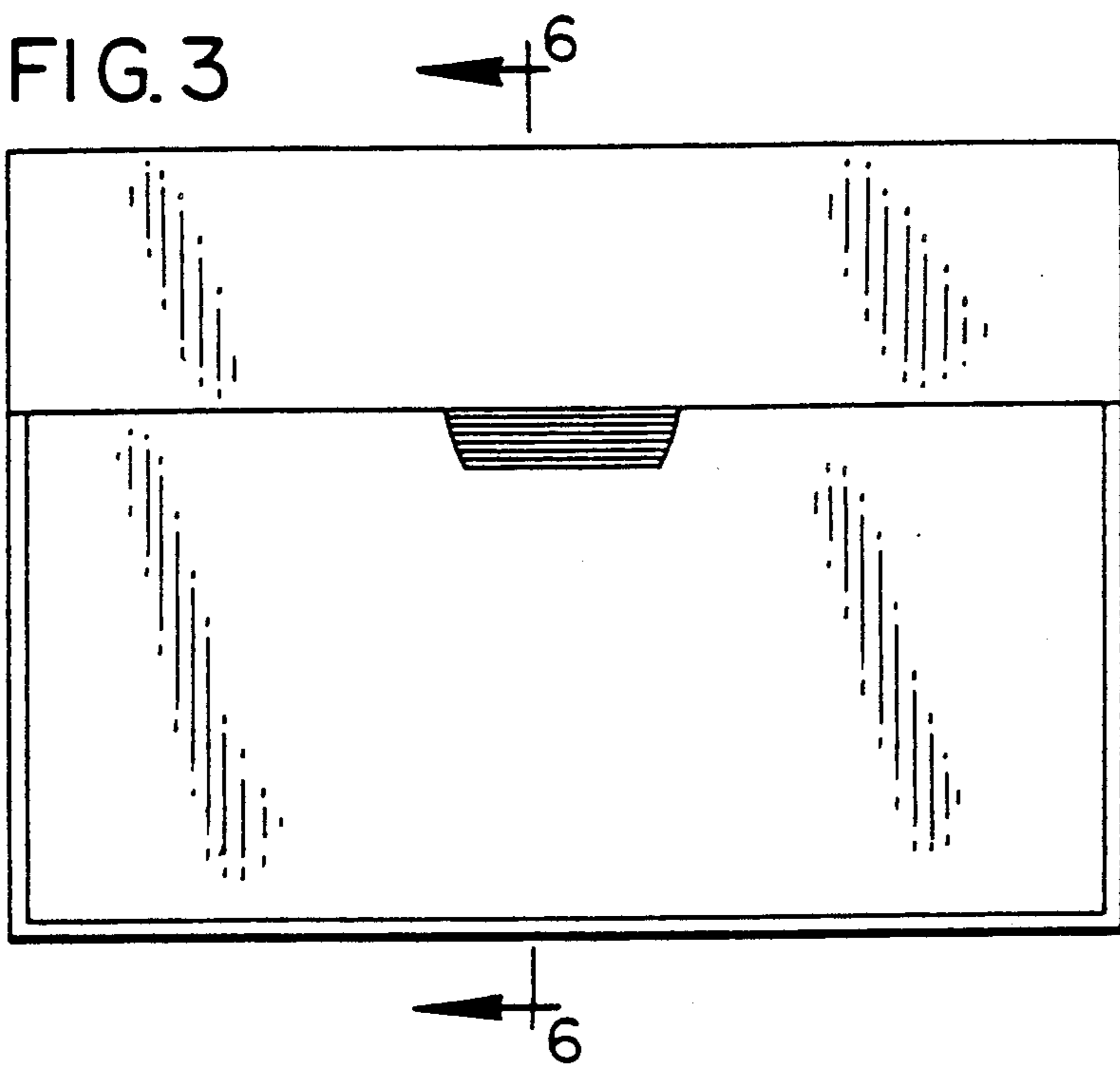


FIG. 5

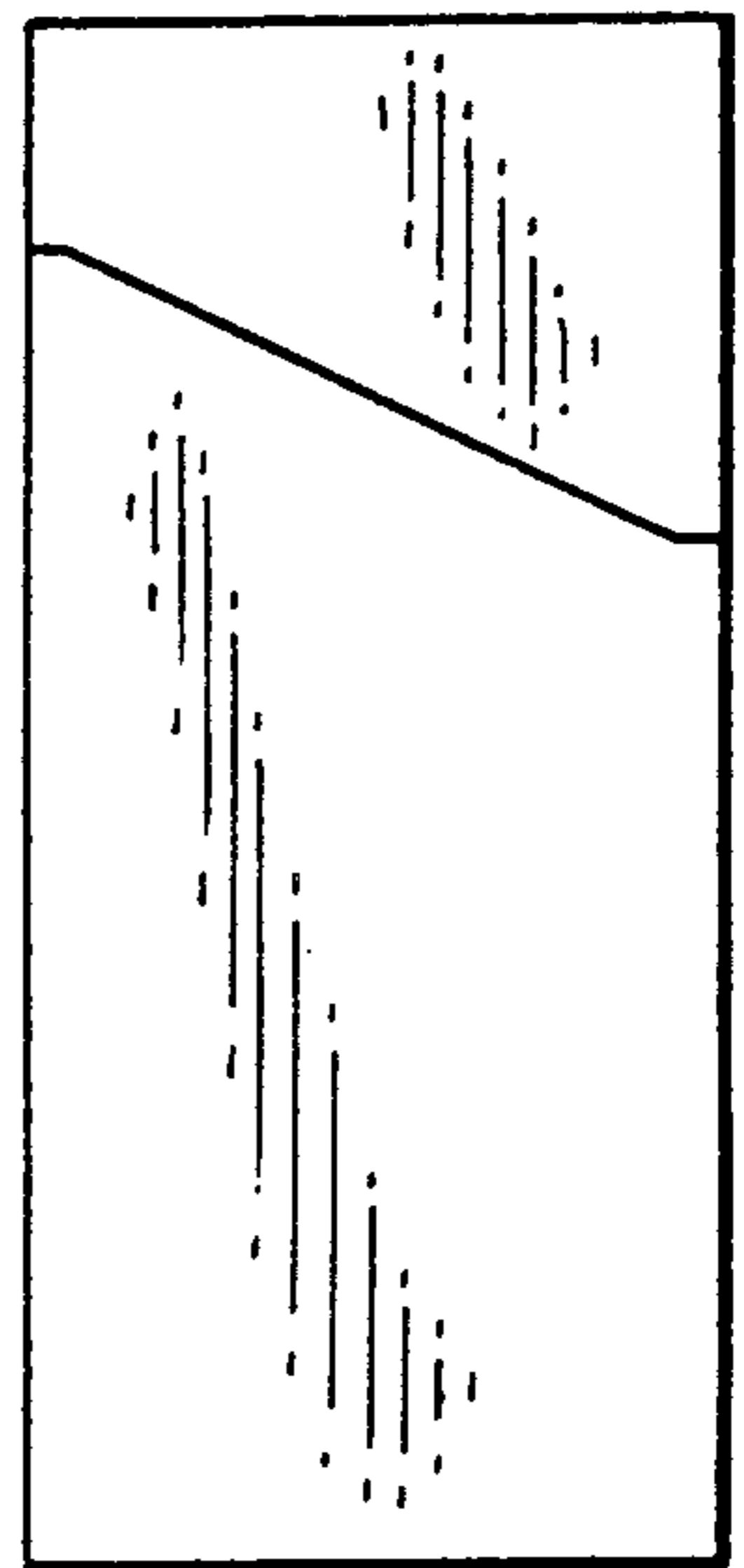


FIG. 4

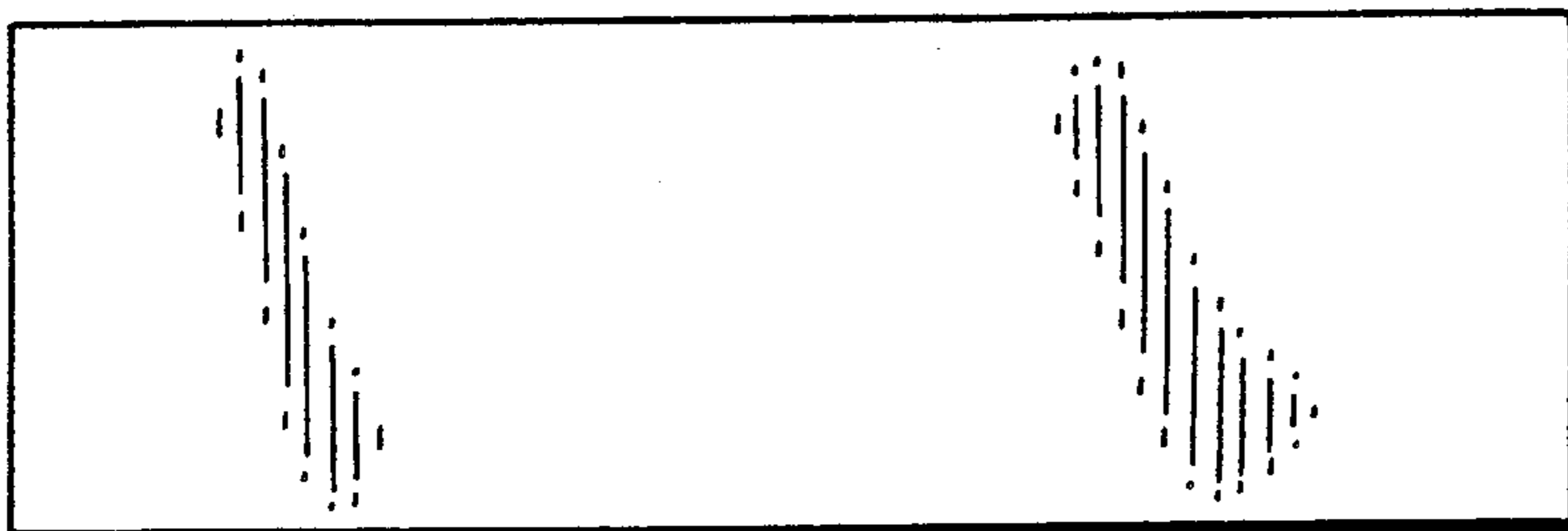


FIG. 7

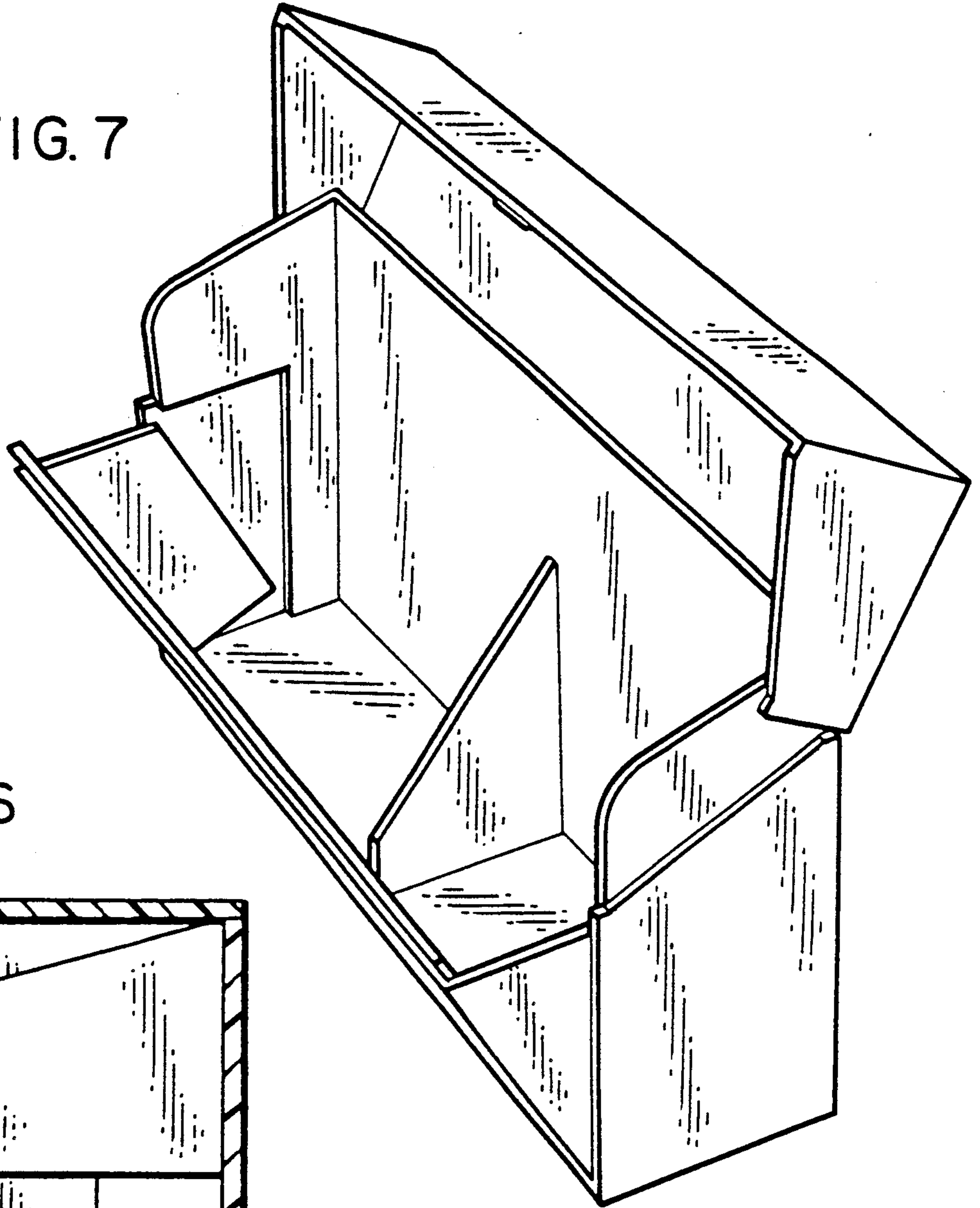


FIG. 6

