

[54] CONTAINER FOR AUTO PARTS

[76] Inventor: Emil Newarski, 165 16th Ave., Elmwood Park, N.J. 07407

[**] Term: 14 Years

[21] Appl. No.: 335,513

[22] Filed: Apr. 10, 1989

[52] U.S. Cl. D34/41; D3/30.1; D9/308; D9/341

[58] Field of Search D3/40, 74, 30.1, 99; D9/341, 308, 424; D34/40, 41, 46, 44; 206/319, 335, 561, 564, 457, 458, 203

[56] References Cited

U.S. PATENT DOCUMENTS

D. 214,262	5/1969	Paige	D9/308
D. 264,525	5/1982	Page, Jr.	D3/40
D. 280,669	9/1985	Hammeke	D3/74 X
D. 293,163	12/1987	Roth	D3/40
D. 307,355	4/1990	Page, Jr.	D3/40

4,473,935	10/1984	Tatsuura et al.	206/563 X
4,754,883	7/1988	Grzywa	206/563 X
4,850,092	7/1989	Newarski	206/561 X

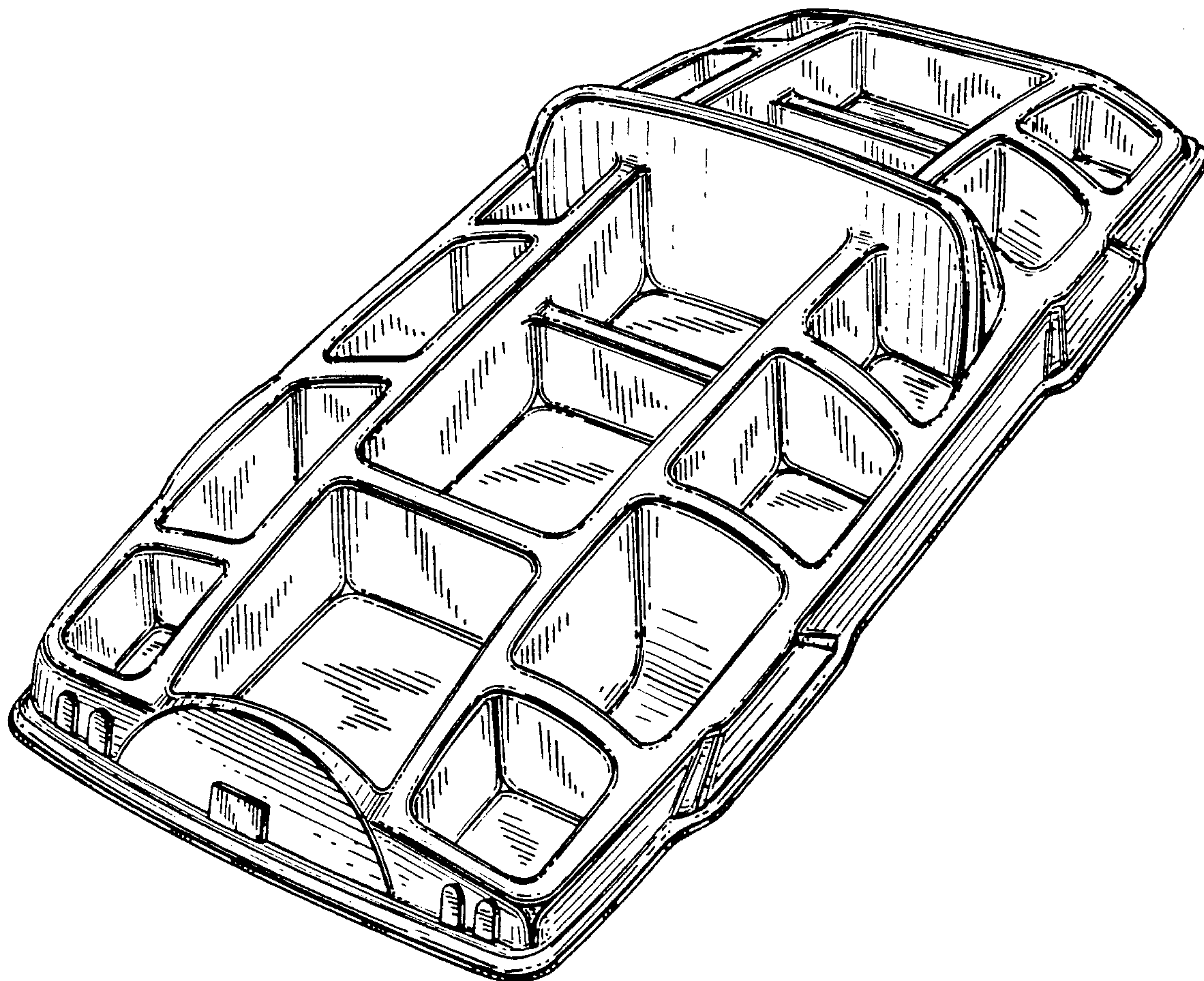
Primary Examiner—Bernard Ansher
Assistant Examiner—Prabhakar Deshmukh
Attorney, Agent, or Firm—Mark T. Basseches; Paula T. Basseches

[57] CLAIM

The ornamental design for a container for auto parts, as shown and described.

DESCRIPTION

FIG. 1 is a perspective view of a container for auto parts showing my new design; FIG. 2 is a front elevation thereof; FIG. 3 is a top plan view thereof; FIG. 4 is a right side elevation thereof; the left side elevation being a mirror image thereof; FIG. 5 is a rear side elevation thereof; and FIG. 6 is a bottom plan view thereof.



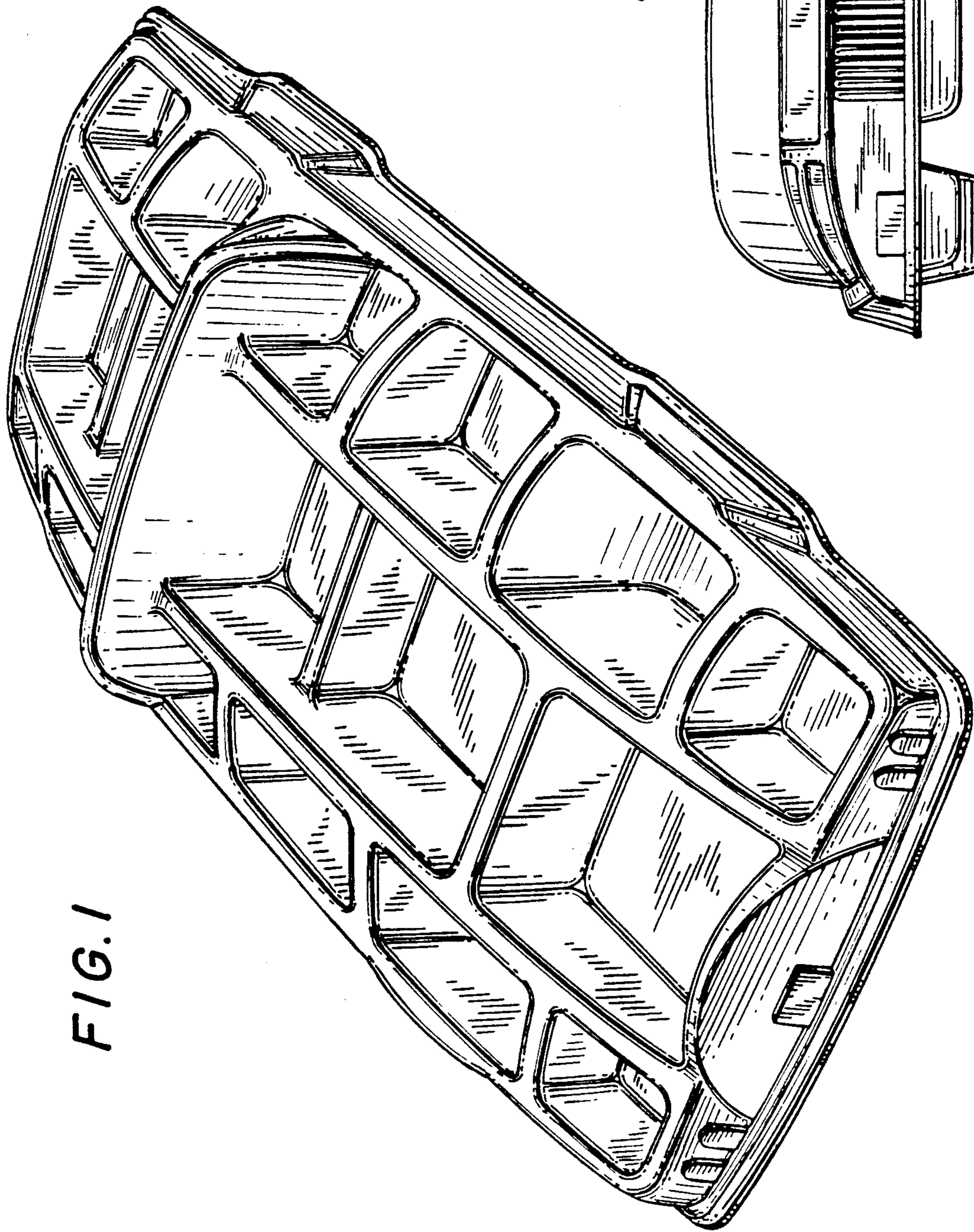


FIG. 1

FIG. 2

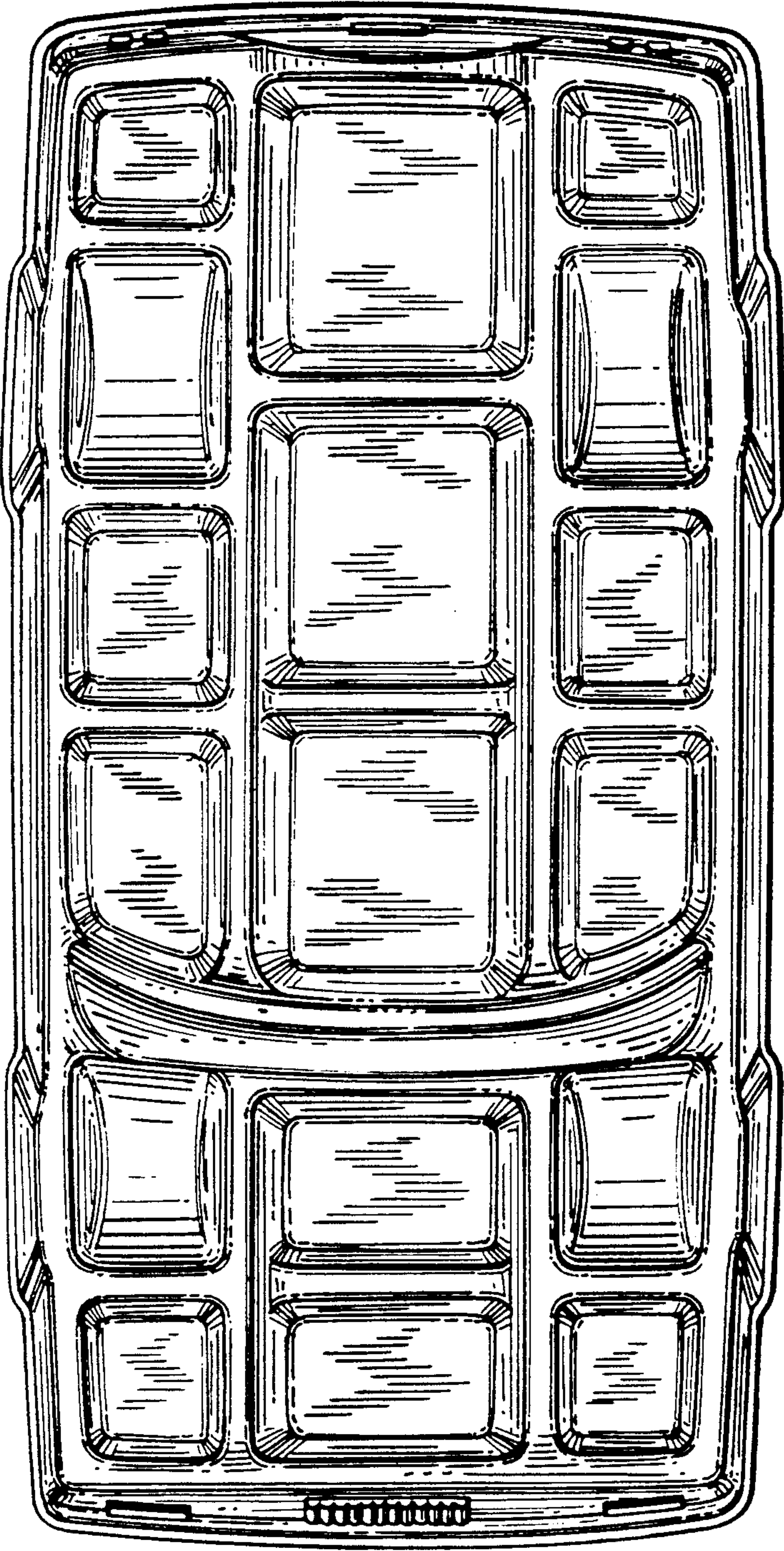


FIG. 3

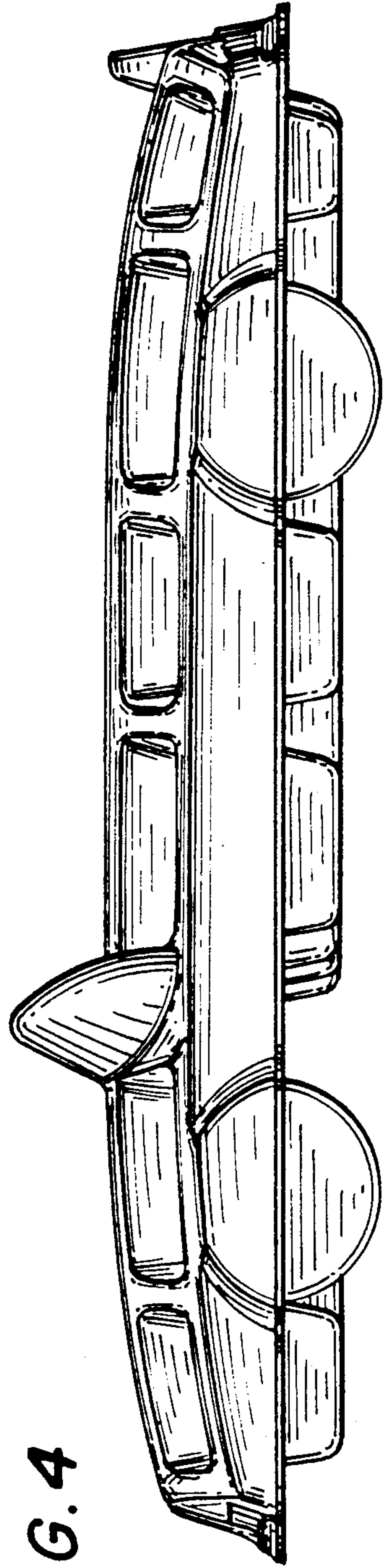


FIG. 4

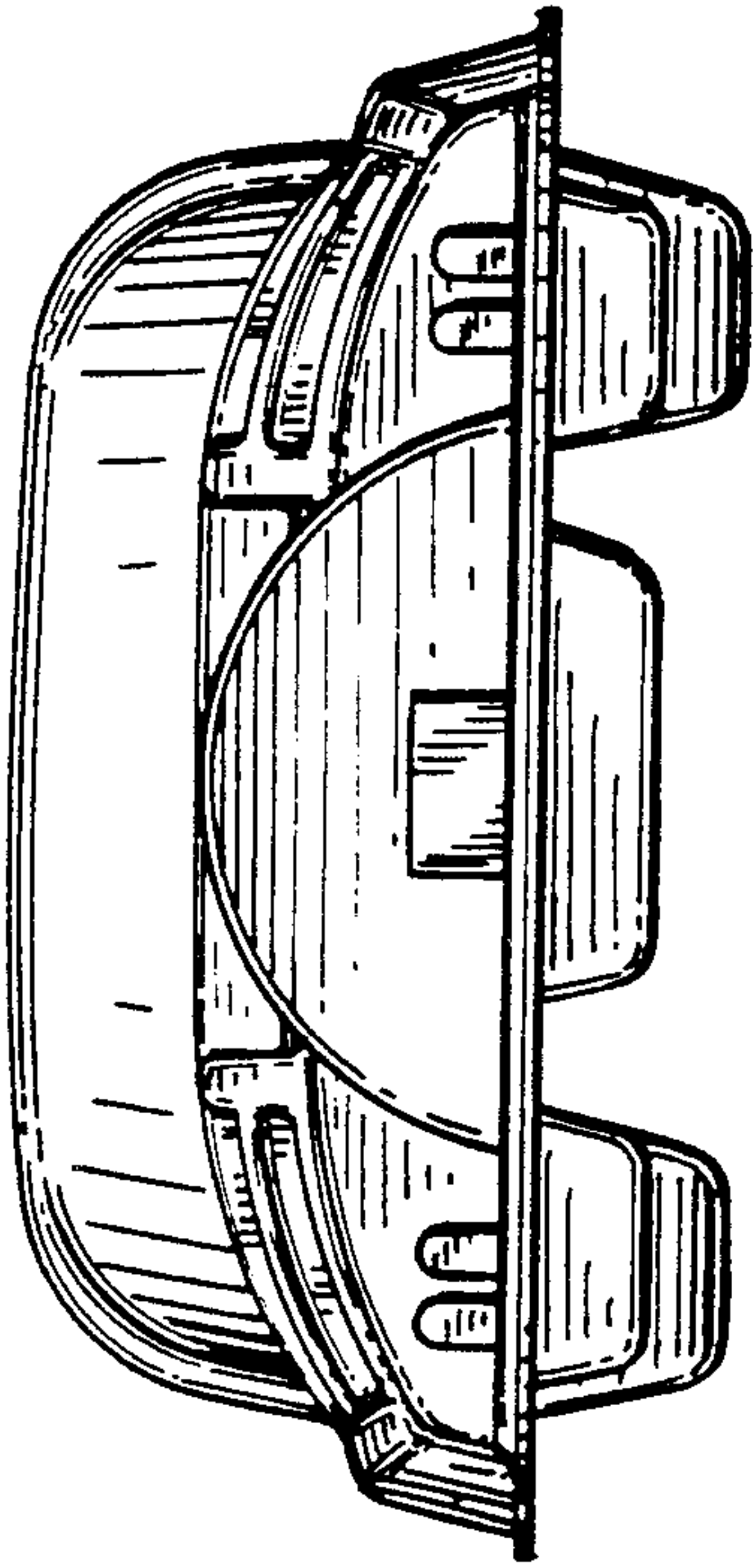


FIG. 5

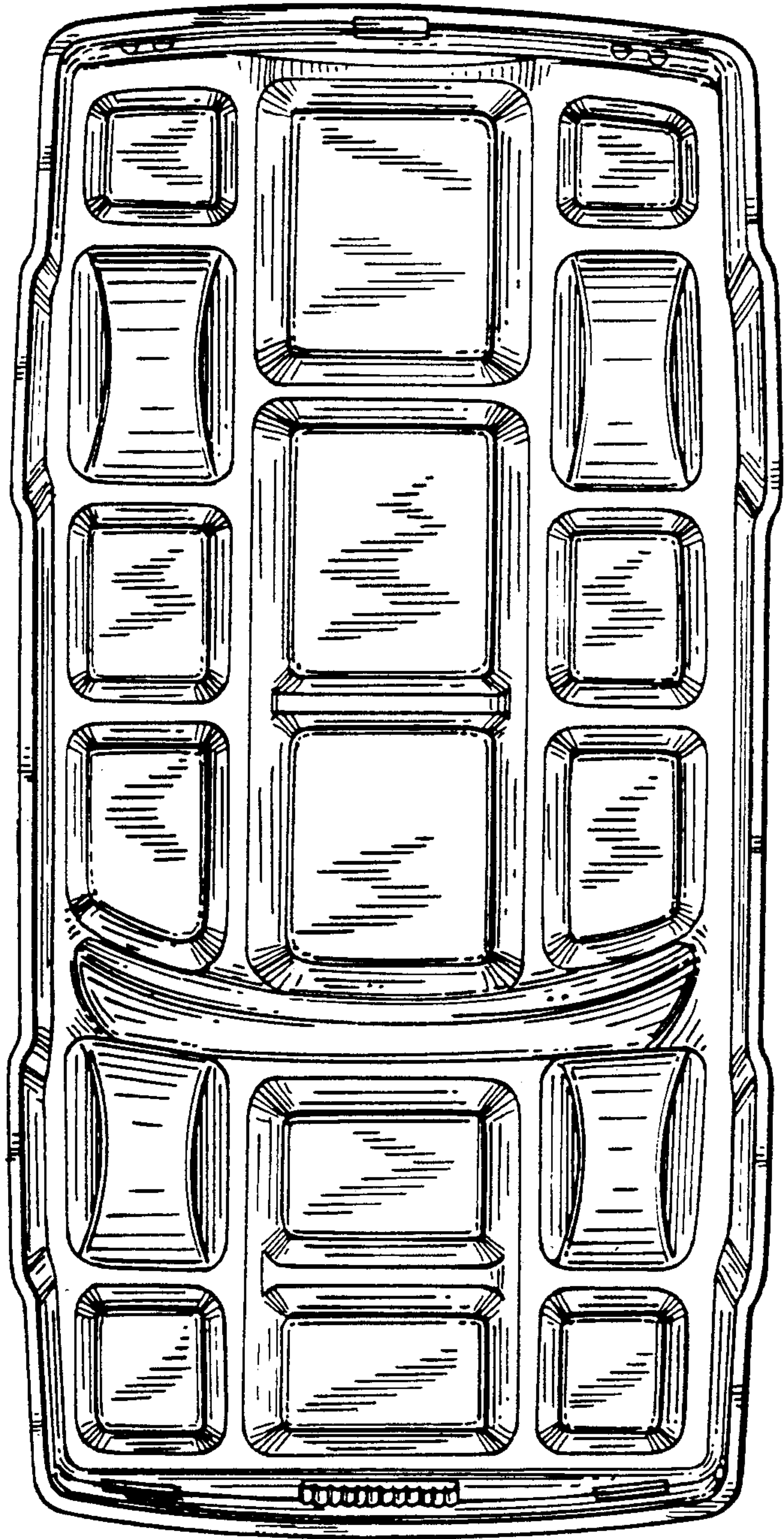


FIG. 6