

[54] TRASH CONTAINER

[75] Inventors: Paul E. Delmerico, Winchester; Eric Gingras, Cross Junction; Greg P. Terek, Winchester, all of Va.

[73] Assignee: Rubbermaid Incorporated

[**] Term: 14 Years

[21] Appl. No.: 240,077

[22] Filed: Sep. 2, 1988

[52] U.S. Cl. D34/5; D34/1

[58] Field of Search D34/1, 11, 5; 220/1 T; 232/1 R, 43.1, 43.3, 43.4, 43.2; 40/611, 606

[56] References Cited

U.S. PATENT DOCUMENTS

- D. 232,211 7/1974 Kay D34/8
- D. 299,528 1/1989 Kessler et al. D23/351
- 3,803,738 4/1974 Weiss D34/1

OTHER PUBLICATIONS

Page 6, Howard Products, An United Marketing Inc.,

Company, 14th and Laurel Streets, Pottsville, Pa. 17901. Publication Date 1986.

Pages 6, 15, and 18, Landscape Forms, 431 Lawndale Avenue, Kalamazoo, Mich. 49001-9543. Publication Date 1987.

Primary Examiner—Kay H. Chin

[57] CLAIM

The ornamental design for a trash container, as shown and described.

DESCRIPTION

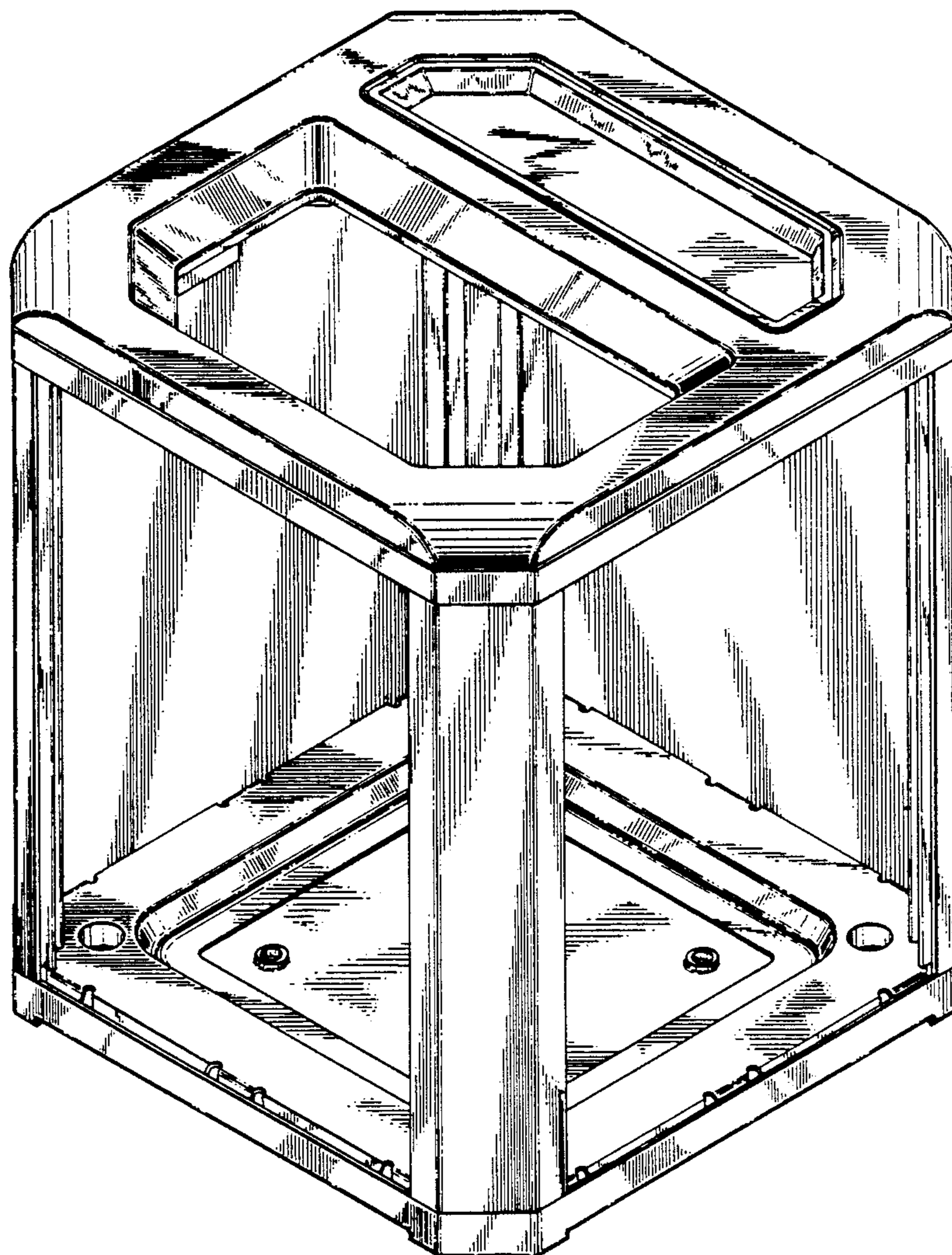
FIG. 1 is a top and front perspective view of a trash container showing our new designs, shown with the two (2) side panels removed;

FIG. 2 is a top plan view thereof.

FIG. 3 is a bottom plan view thereof.

FIG. 4 is front elevational view thereof, the rear and side elevational view being a minor image of that shown; and

FIG. 5 is a front and top perspective view thereof.



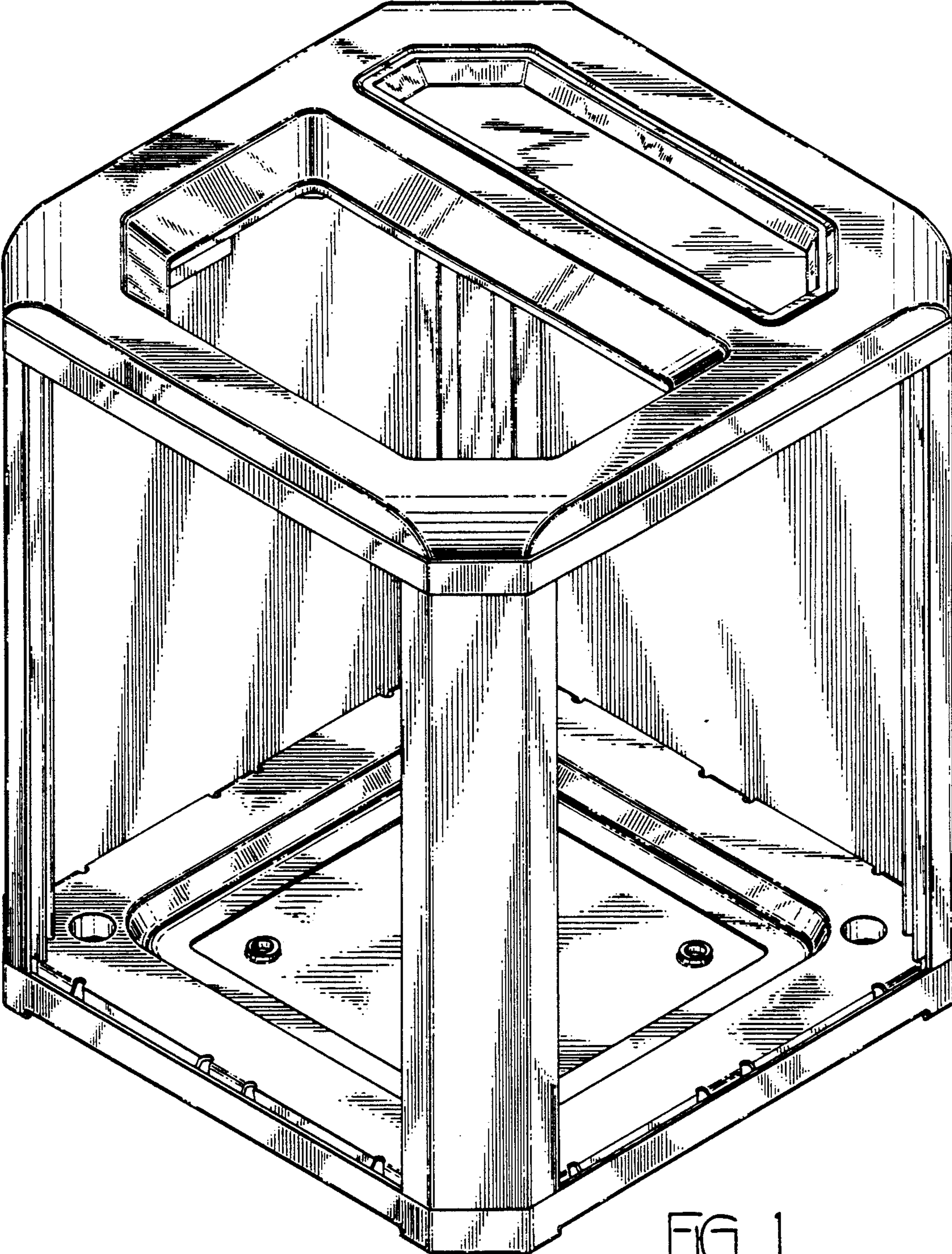


FIG. 1

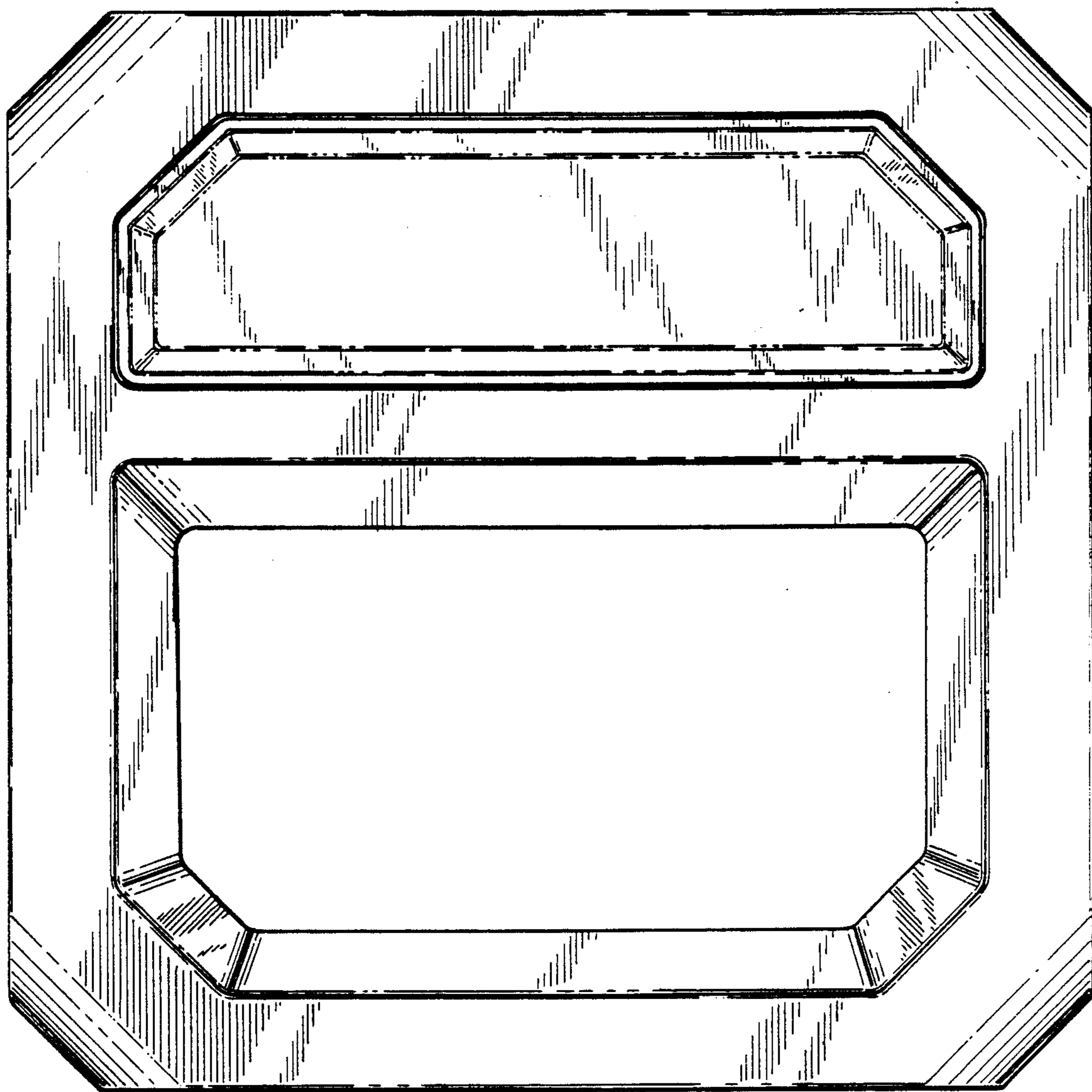


FIG. 2

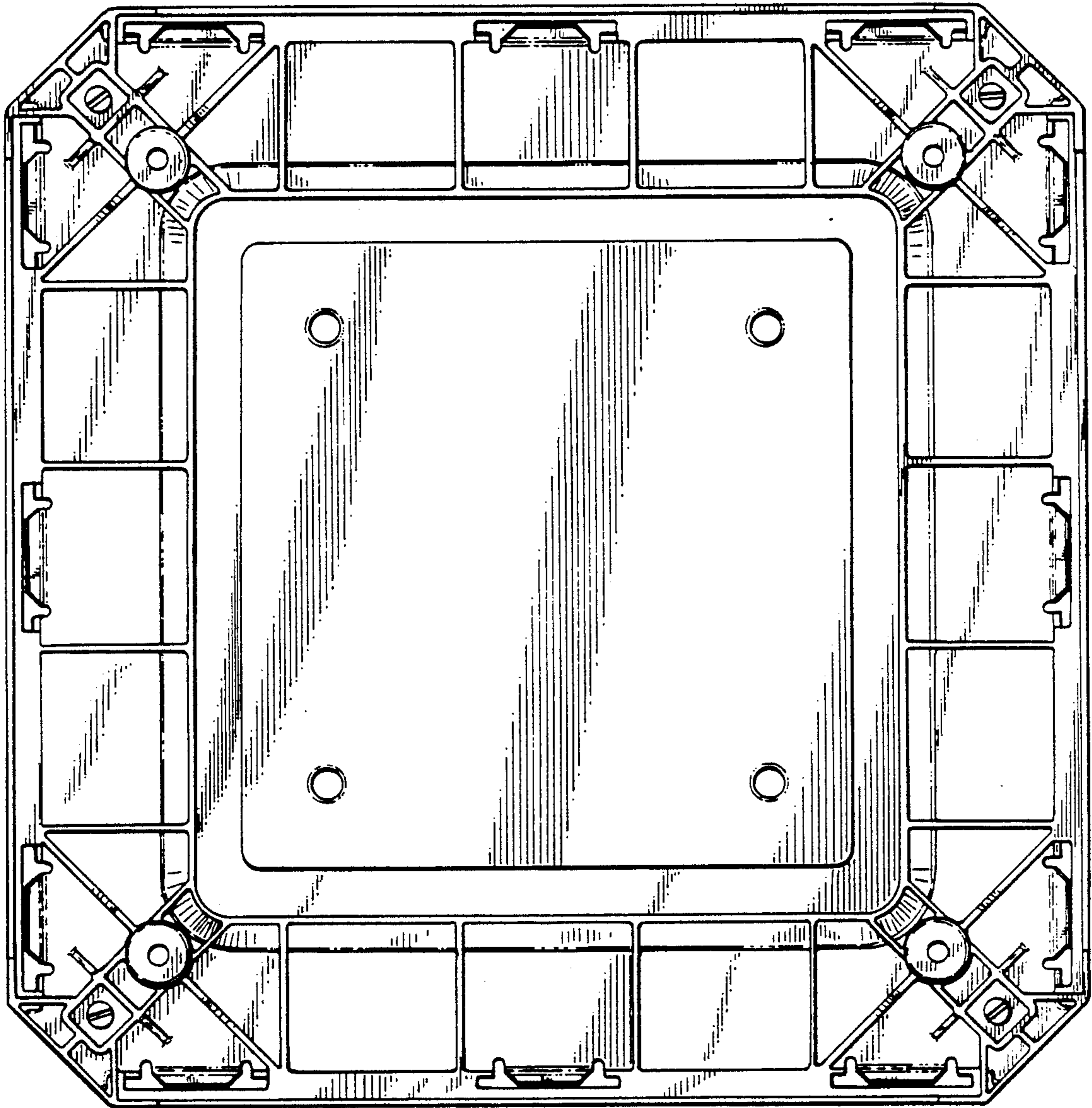
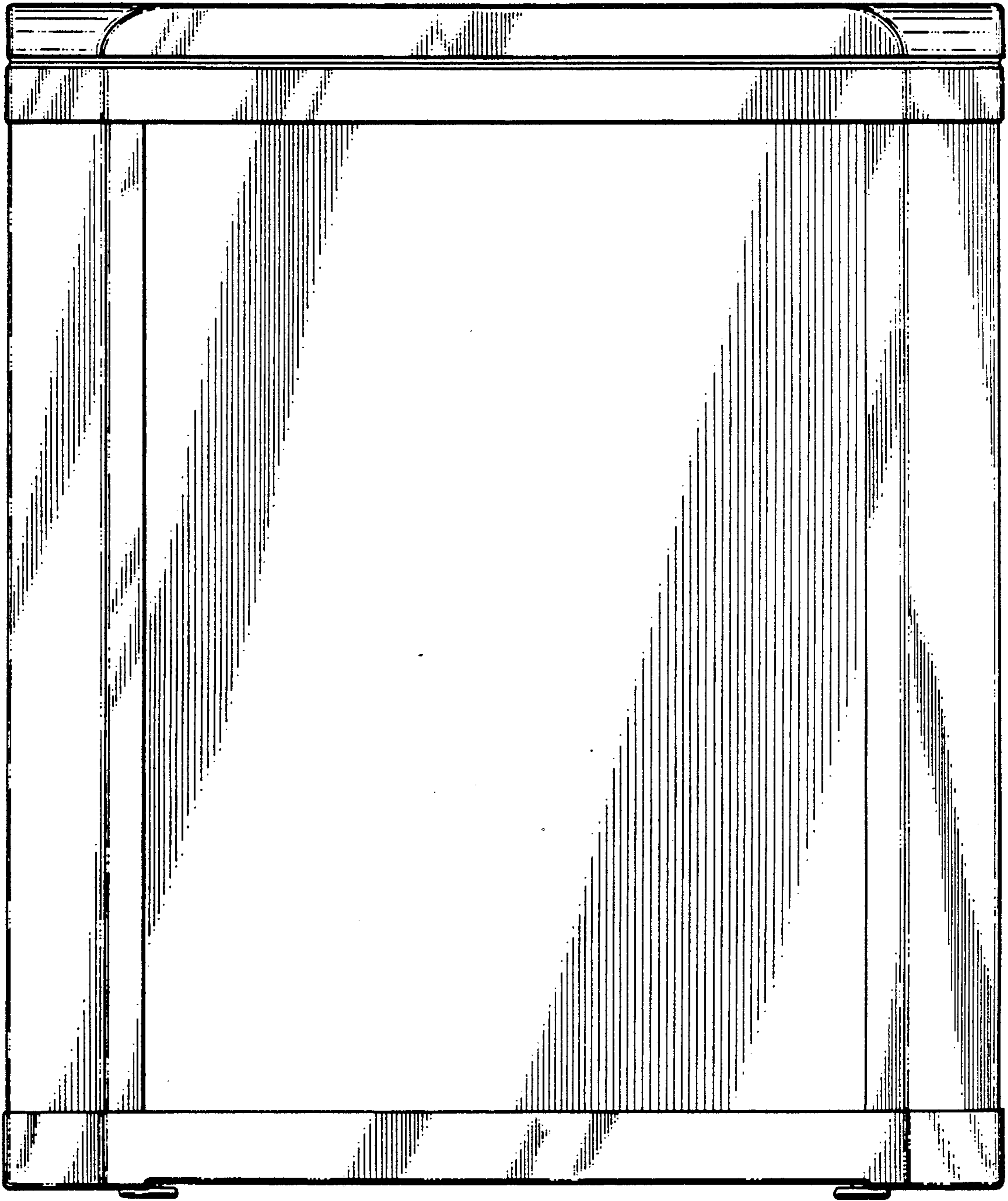


FIG. 3

FIG. 4



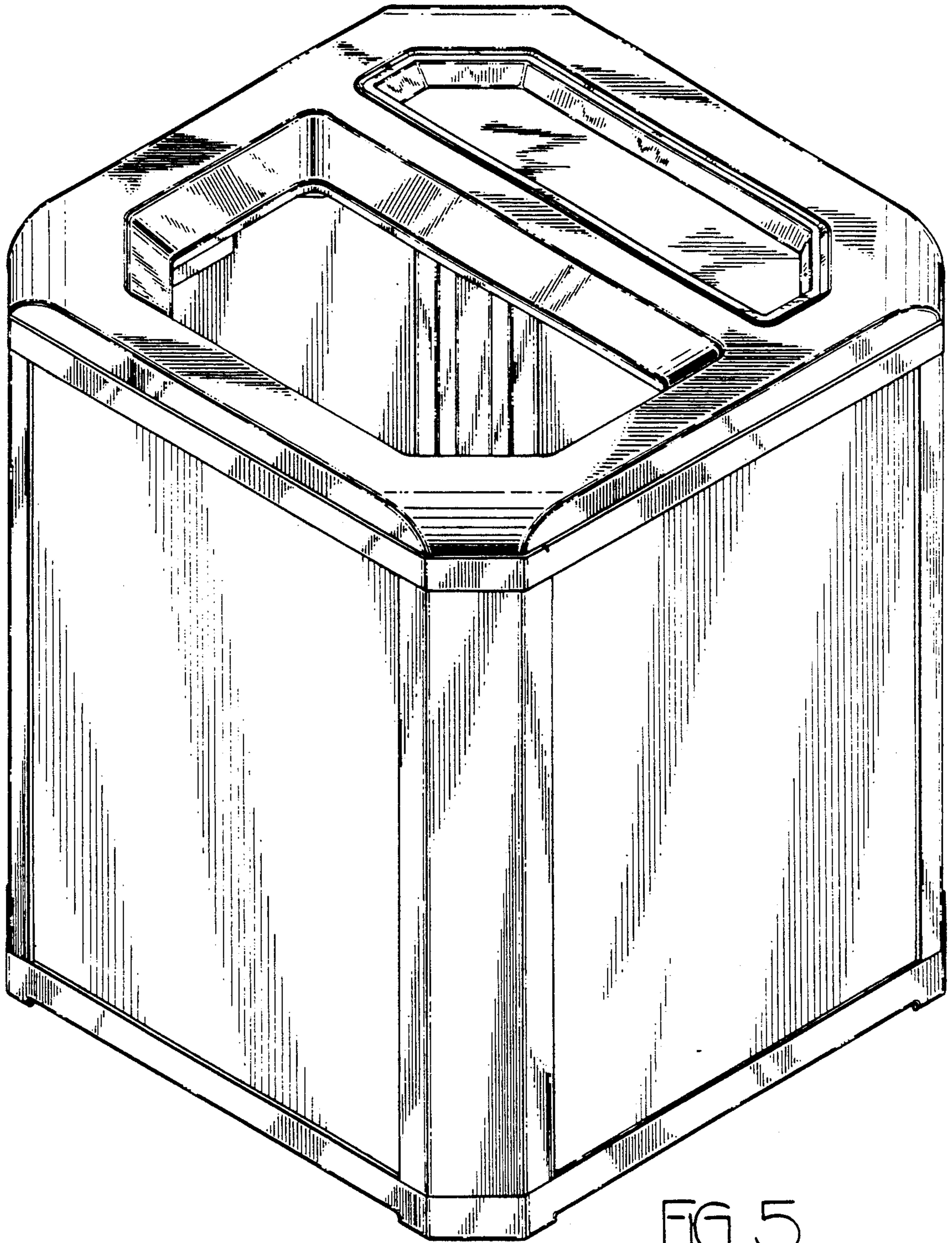


FIG. 5