

[54] TRASH BIN WITH MULTIPLE LINER

[76] Inventors: Jeff Hallinan, 47 General Hawkins Dr., Warwick, R.I. 02888; Thomas Ruhan, 150 Park La., Providence, R.I. 02907

[**] Term: 14 Years

[21] Appl. No.: 163,471

[22] Filed: Mar. 3, 1988

[52] U.S. Cl. D34/1; D34/5

[58] Field of Search D34/1, 7, 8, 9, 11; 220/1 T, 20, 408; 232/1 R; D7/17

[56] References Cited

U.S. PATENT DOCUMENTS

2,751,073	6/1956	Sheeran	220/20
3,894,551	7/1975	Stohlman	220/408
4,114,784	9/1978	Hough et al.	220/408

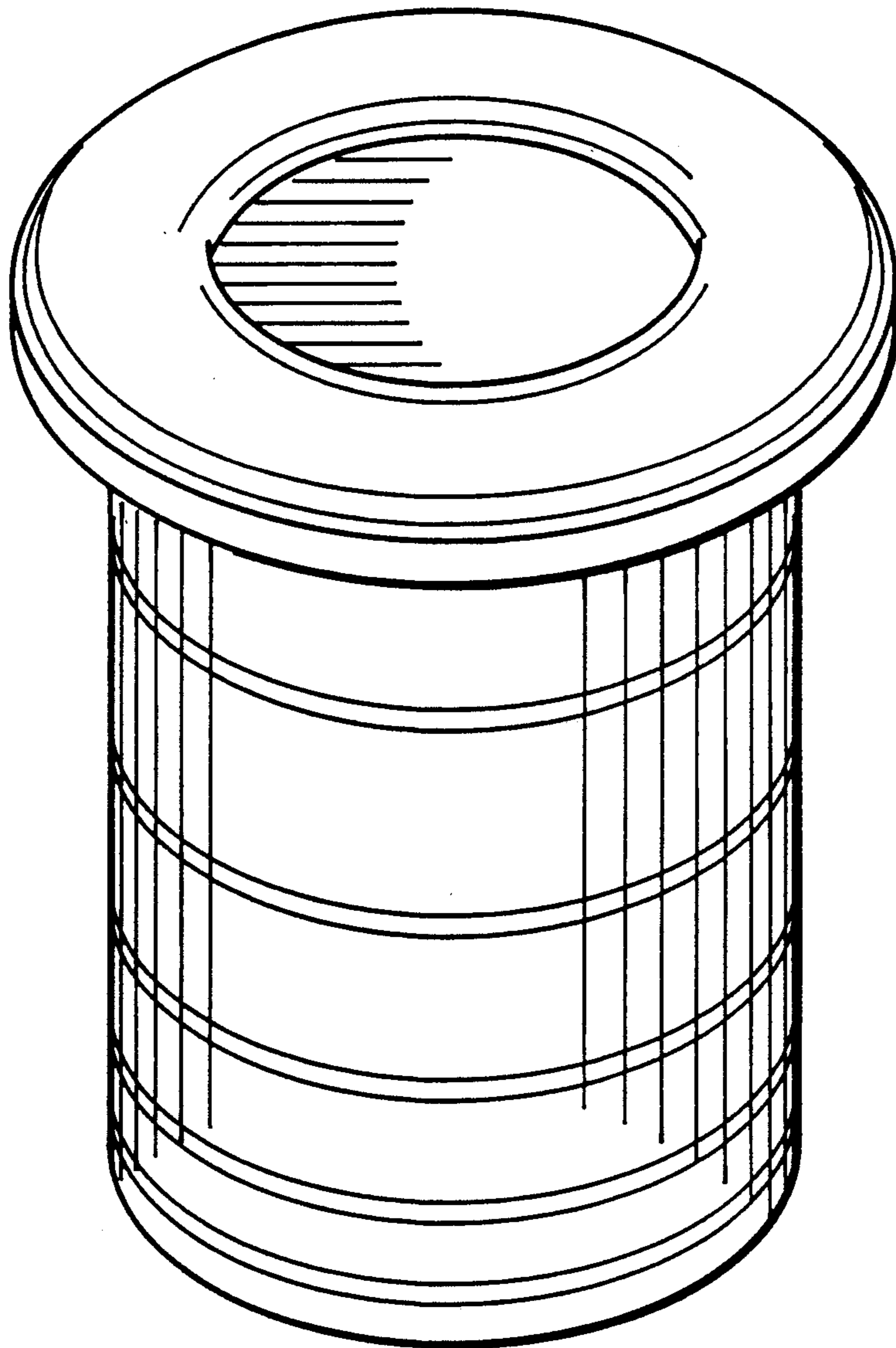
Primary Examiner—Kay H. Chin
Attorney, Agent, or Firm—Jerry T. Kearns

[57] CLAIM

The ornamental design for a trash bin with multiple liner, as shown and described.

DESCRIPTION

FIG. 1 is a front elevational view of a trash bin with multiple liner showing our new design;
 FIG. 2 is a rear elevational view thereof;
 FIG. 3 is a side elevational view thereof, the opposite side elevational view being a mirror image of that shown;
 FIG. 4 is a cross-sectional view taken along line 4 of FIG. 5;
 FIG. 5 is a top plan view thereof;
 FIG. 6 is a bottom plan view thereof; and,
 FIG. 7 is a front, top perspective view thereof.



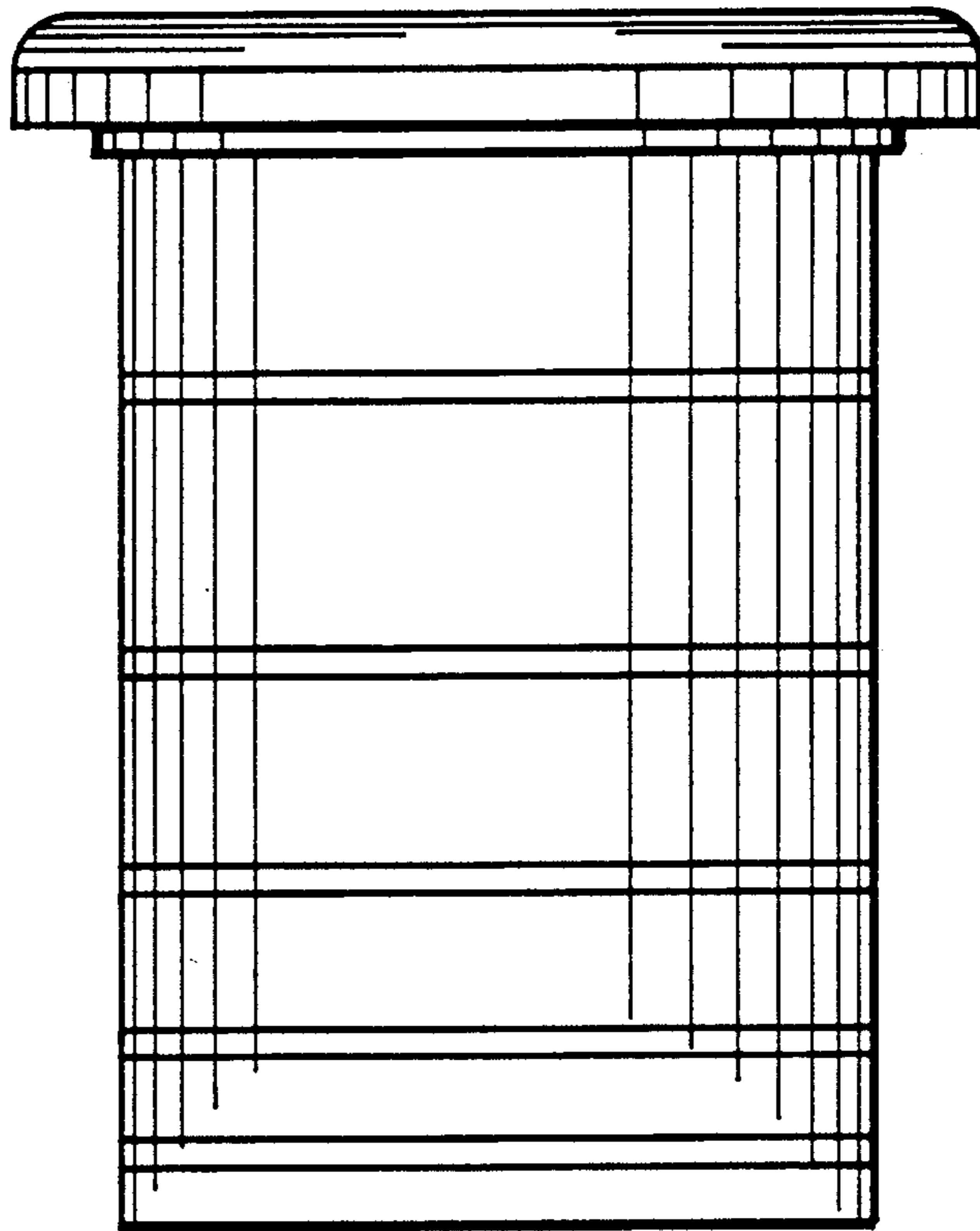


Fig. 1

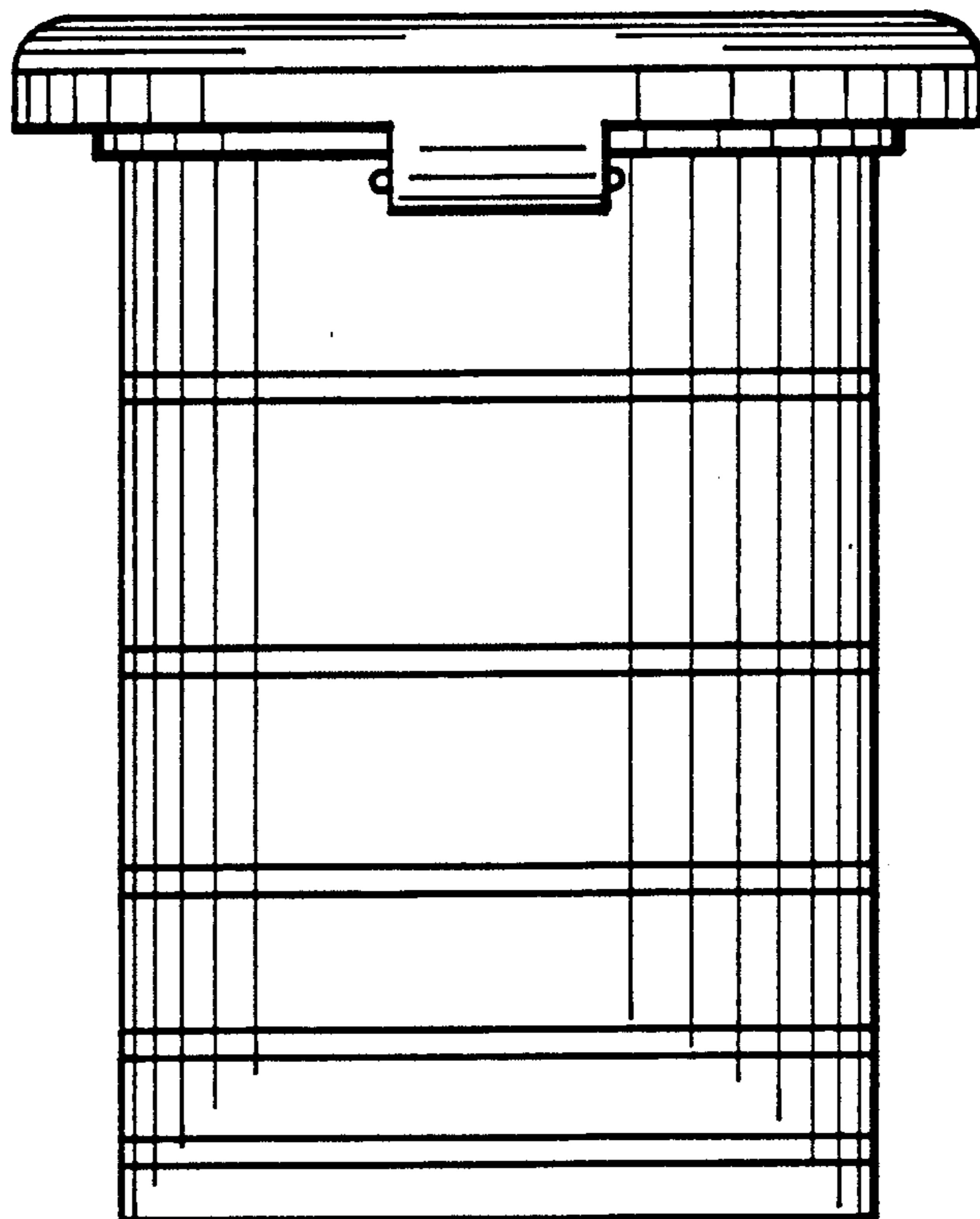


Fig. 2

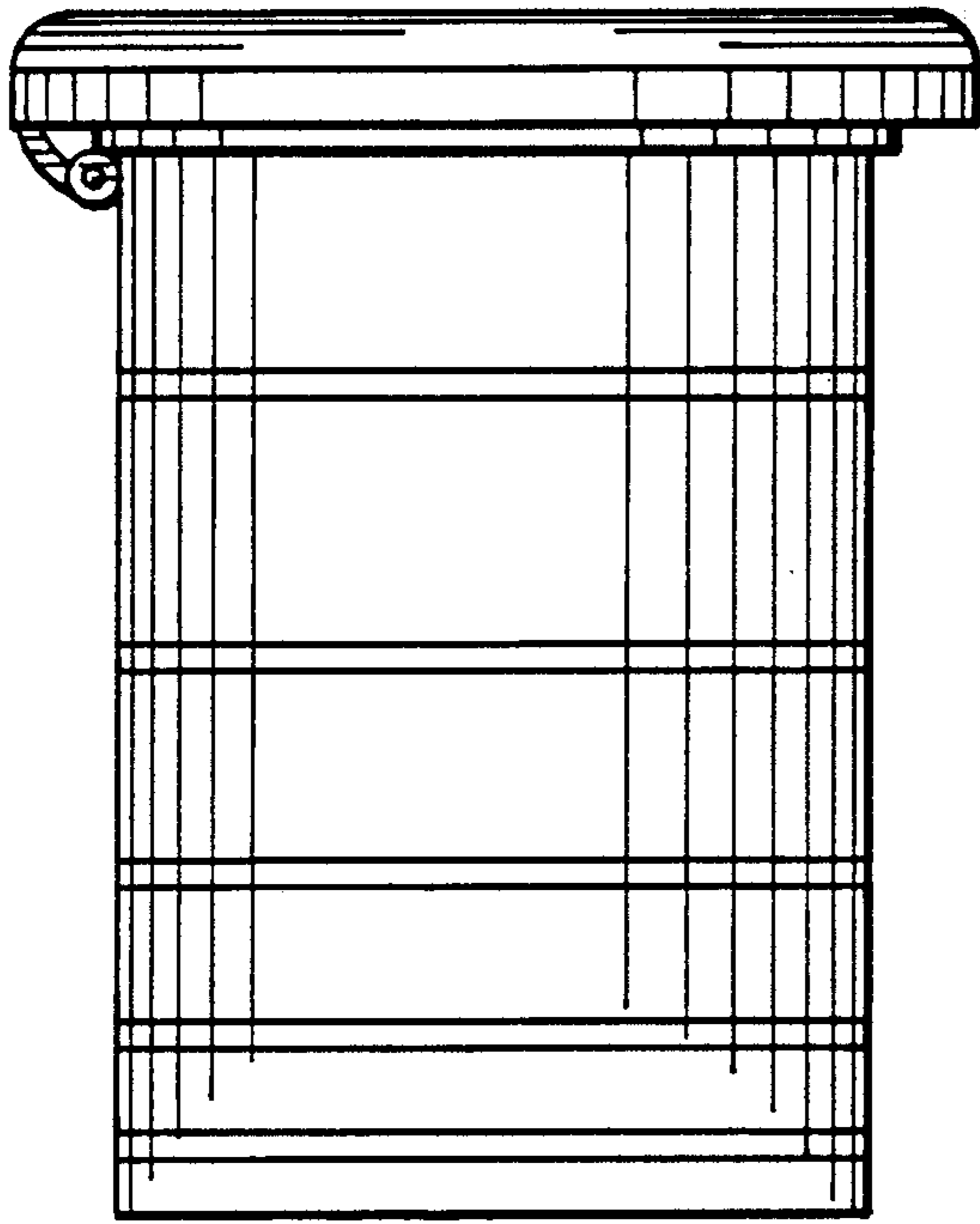


Fig. 3

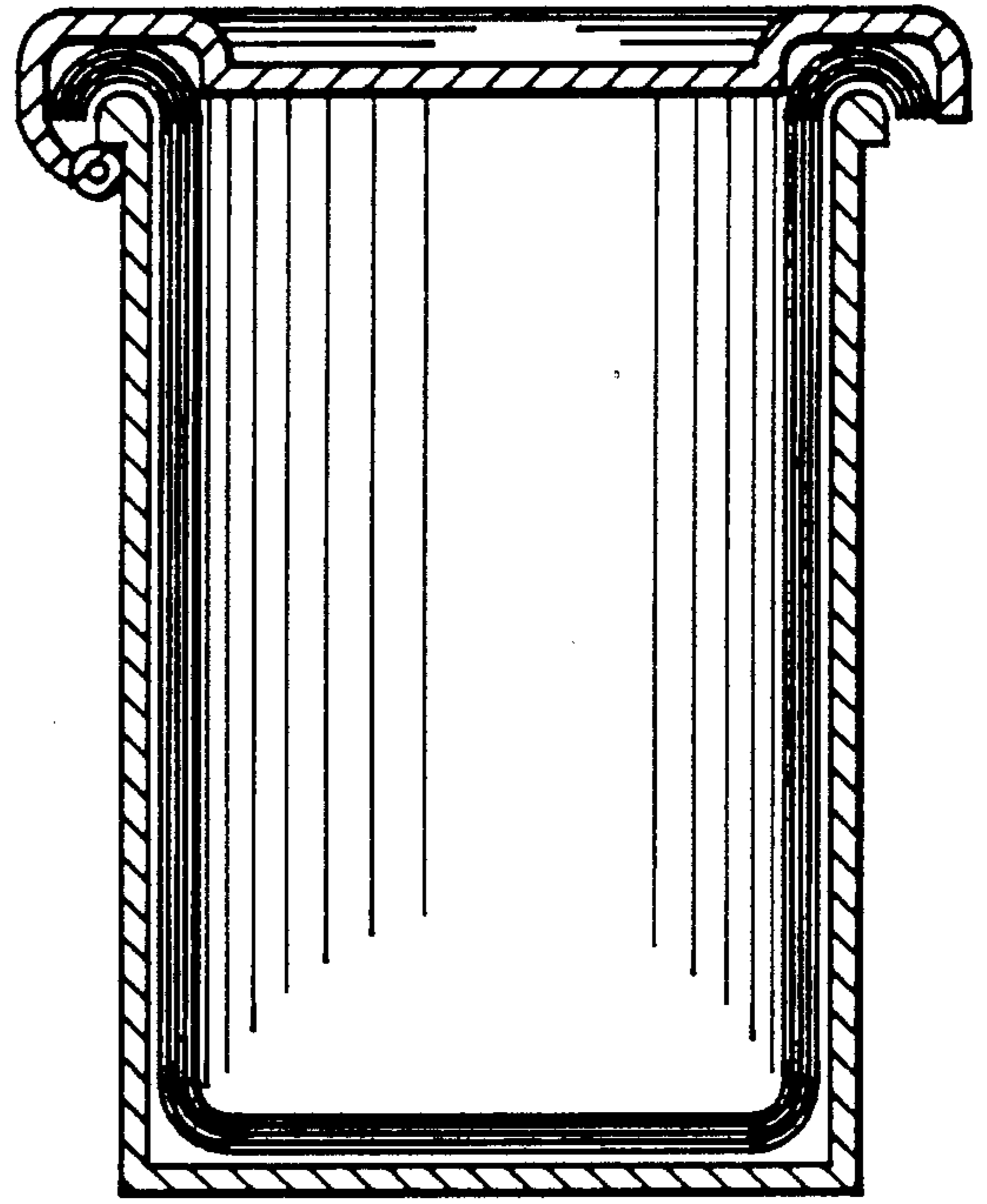


Fig. 4

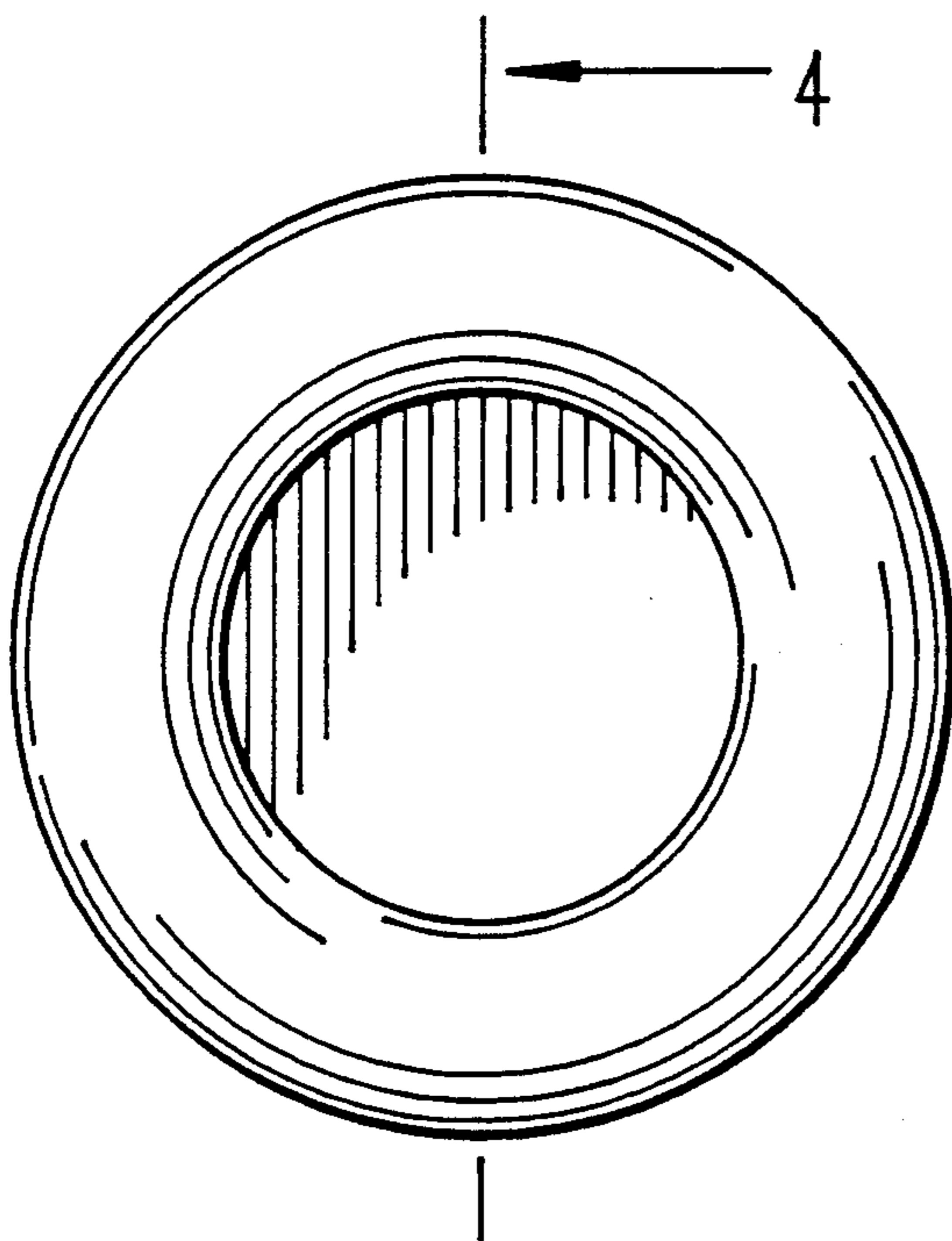


Fig. 5

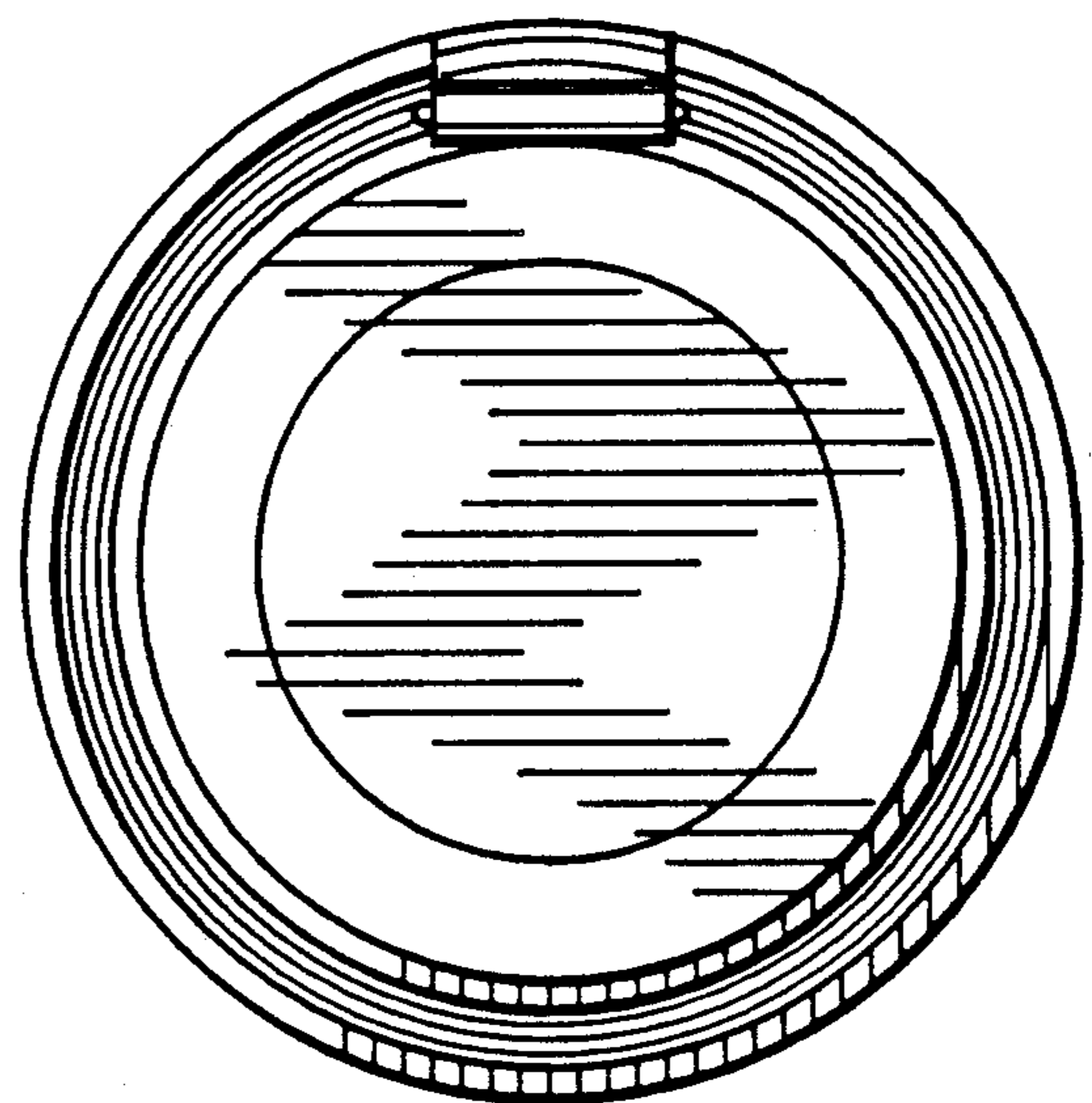


Fig. 6

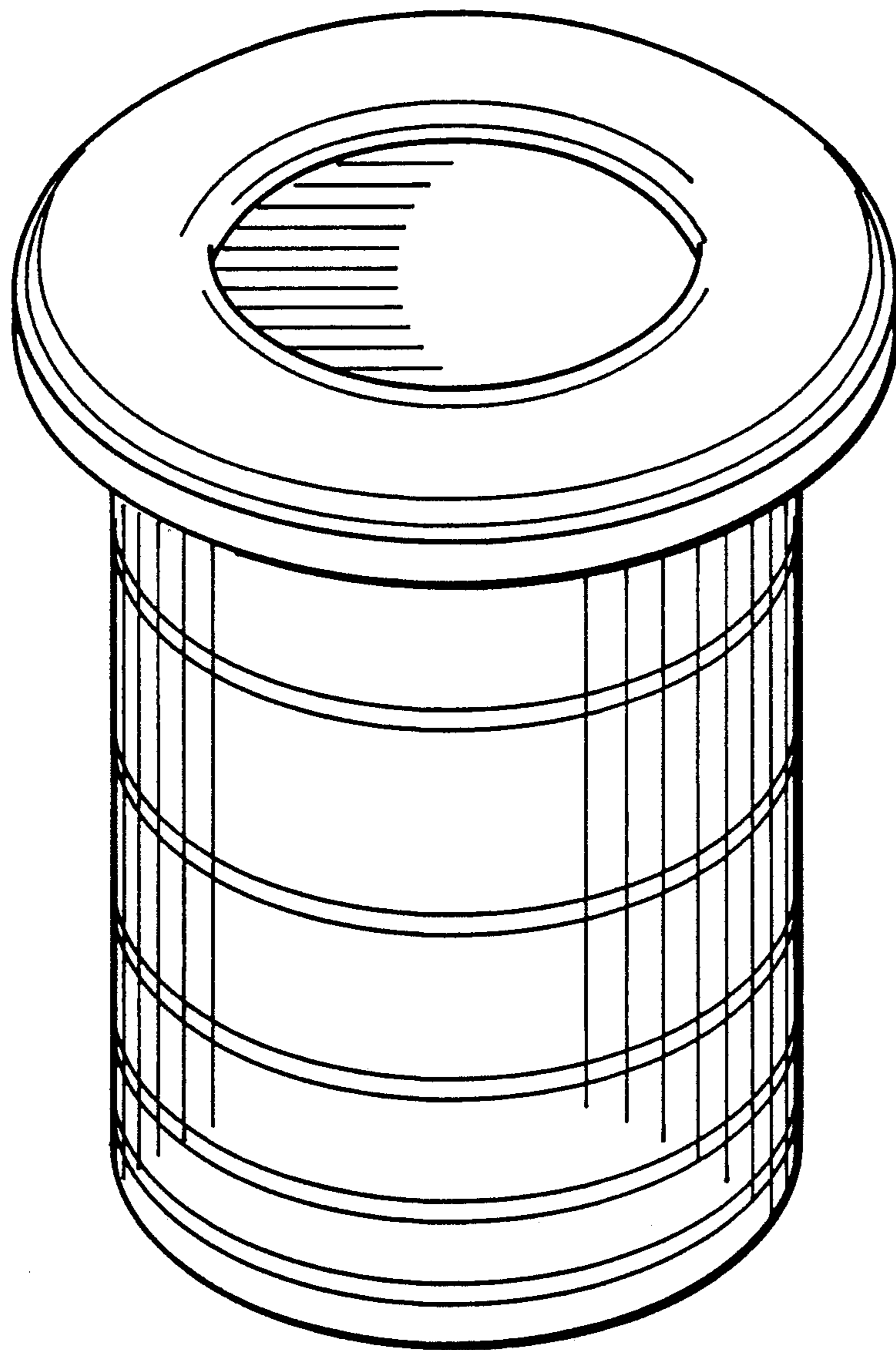


Fig. 7