

United States Patent [19]

Bartasevich et al.

[11] Patent Number: Des. 315,623

[45] Date of Patent: ** Mar. 19, 1991

[54] HAND HELD VACUUM CLEANER

[75] Inventors: William E. Bartasevich, Kent; Yin I. Chen, Bedford Heights, both of Ohio

[73] Assignee: TRC Acquisition Corporation, Atlanta, Ga.

[**] Term: 14 Years

[21] Appl. No.: 463,638

[22] Filed: Jan. 11, 1990

[52] U.S. Cl. D32/18

[58] Field of Search D32/17, 18; 15/344, 15/329

D. 280,246 8/1985 Smith D32/18
D. 290,893 7/1987 Essex D32/18
D. 295,566 5/1988 Hetherington D32/21

Primary Examiner—A. Hugo Word
Assistant Examiner—Doris V. Coles
Attorney, Agent, or Firm—Jeffrey H. Ingerman

[57] CLAIM

The ornamental design for a hand held vacuum cleaner, as shown and described.

DESCRIPTION

FIG. 1 is a perspective view of a hand held vacuum cleaner showing our new design; FIG. 2 is a top plan view thereof; FIG. 3 is a bottom plan view thereof; FIG. 4 is a right side elevational view thereof; FIG. 5 is a left side elevational view thereof; FIG. 6 is a front elevational view thereof; and FIG. 7 is a rear elevational view thereof. The cross hatch shading shown in FIGS. 1-5 and 7 is understood to repeat throughout the indicated area.

[56] References Cited

U.S. PATENT DOCUMENTS

D, 91,865 4/1934 Frantz .
D. 162,312 3/1951 Karsadt .
D. 261,473 10/1981 Hug D32/18
D. 268,057 2/1983 Harmon D32/18
D. 274,150 6/1984 Hoesch D32/18

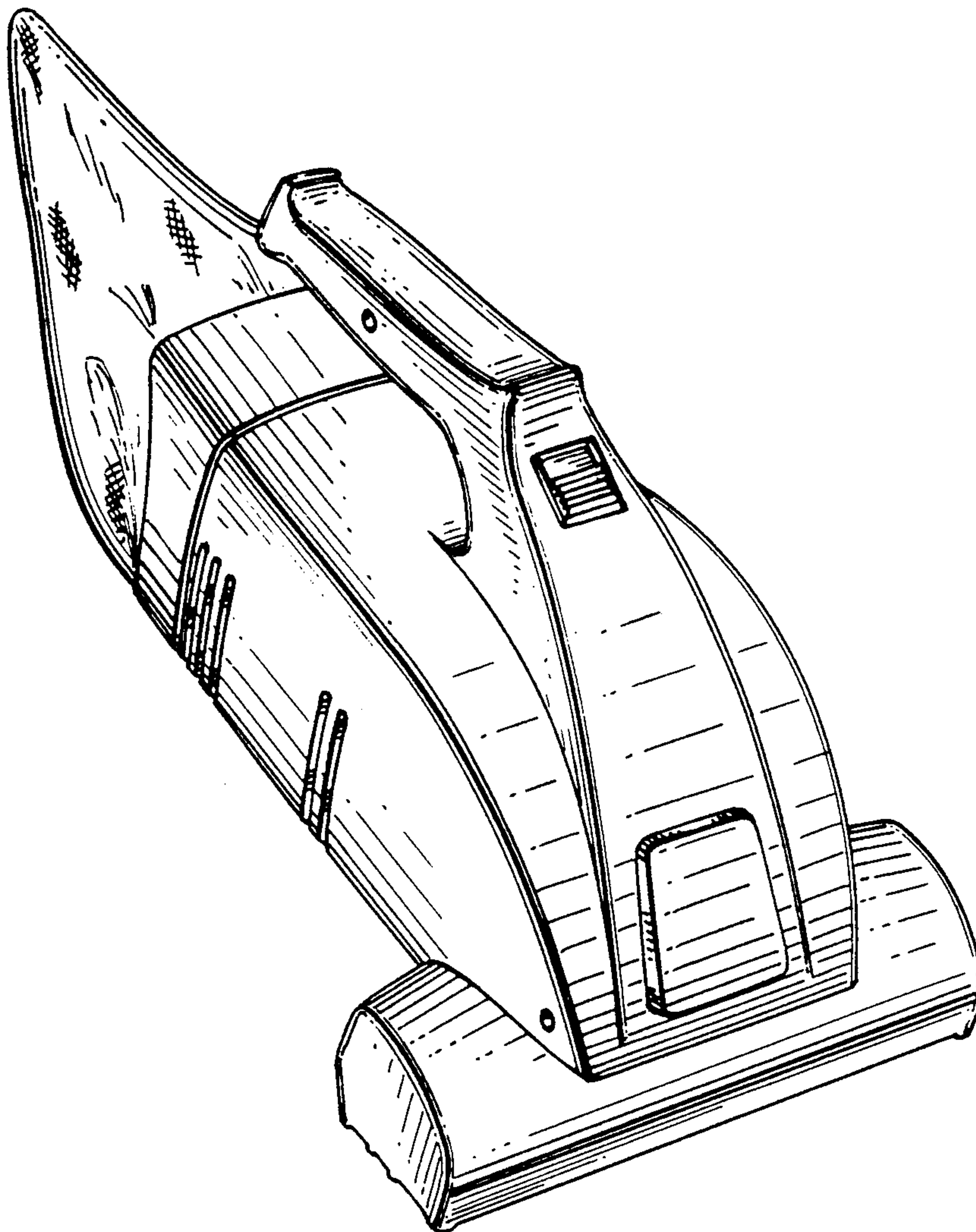


FIG. 1

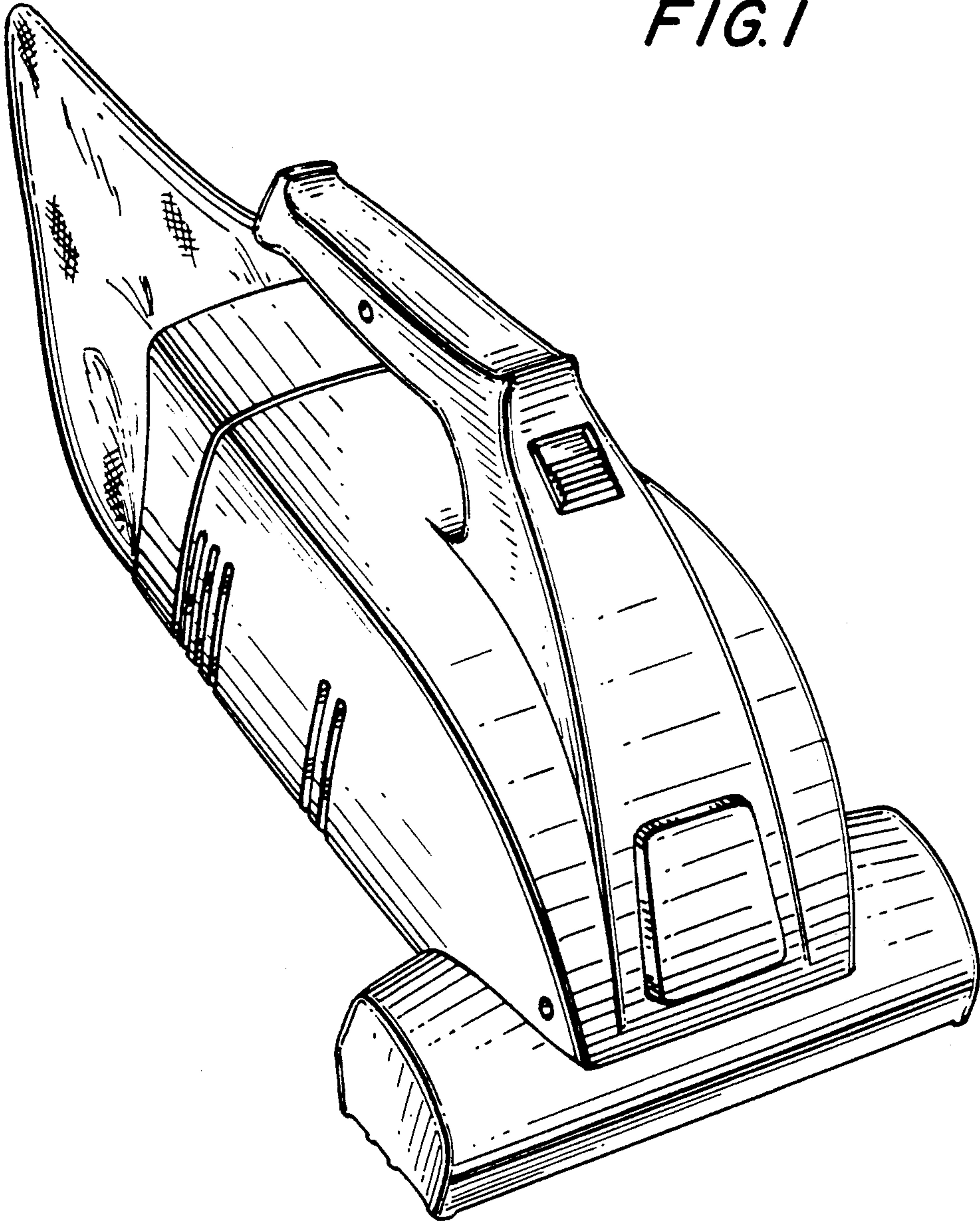


FIG. 2

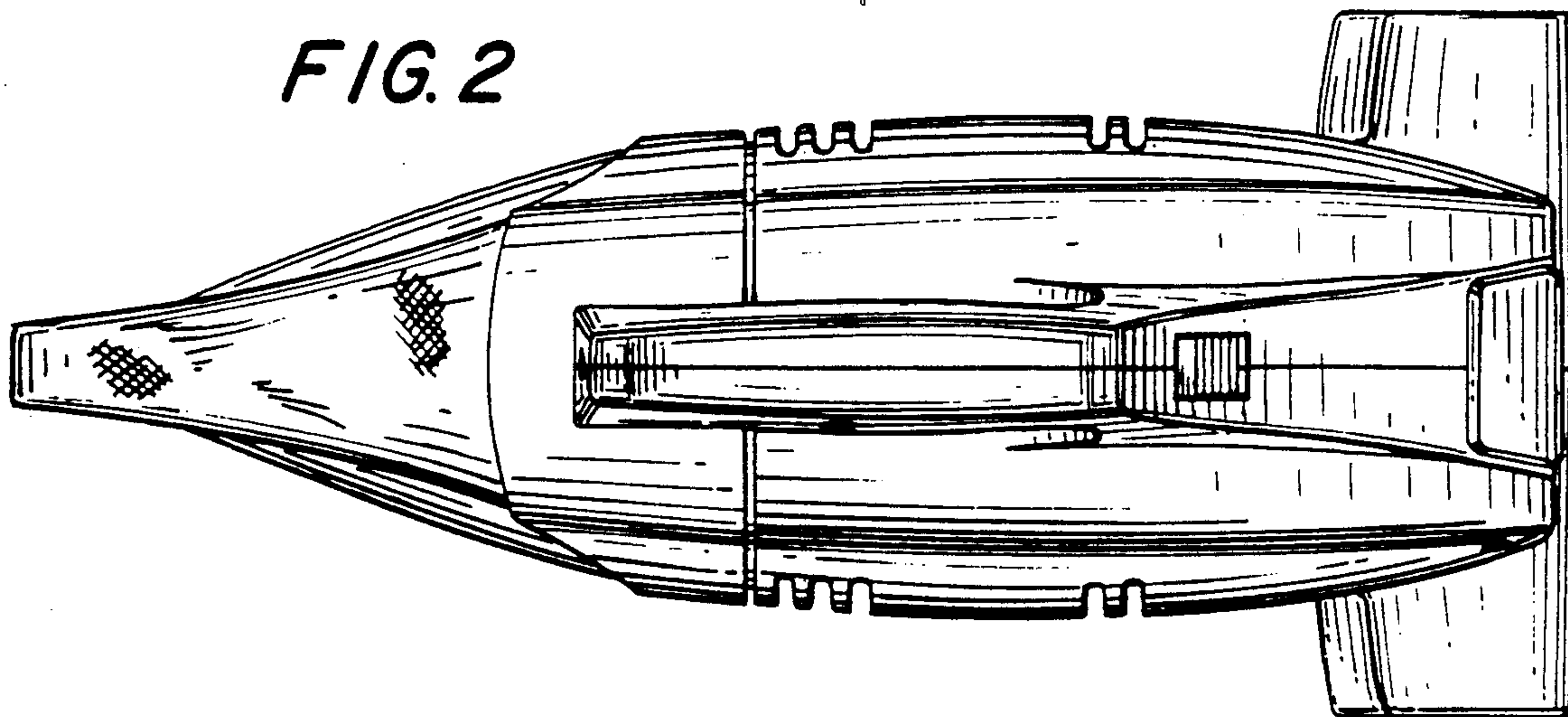


FIG. 4

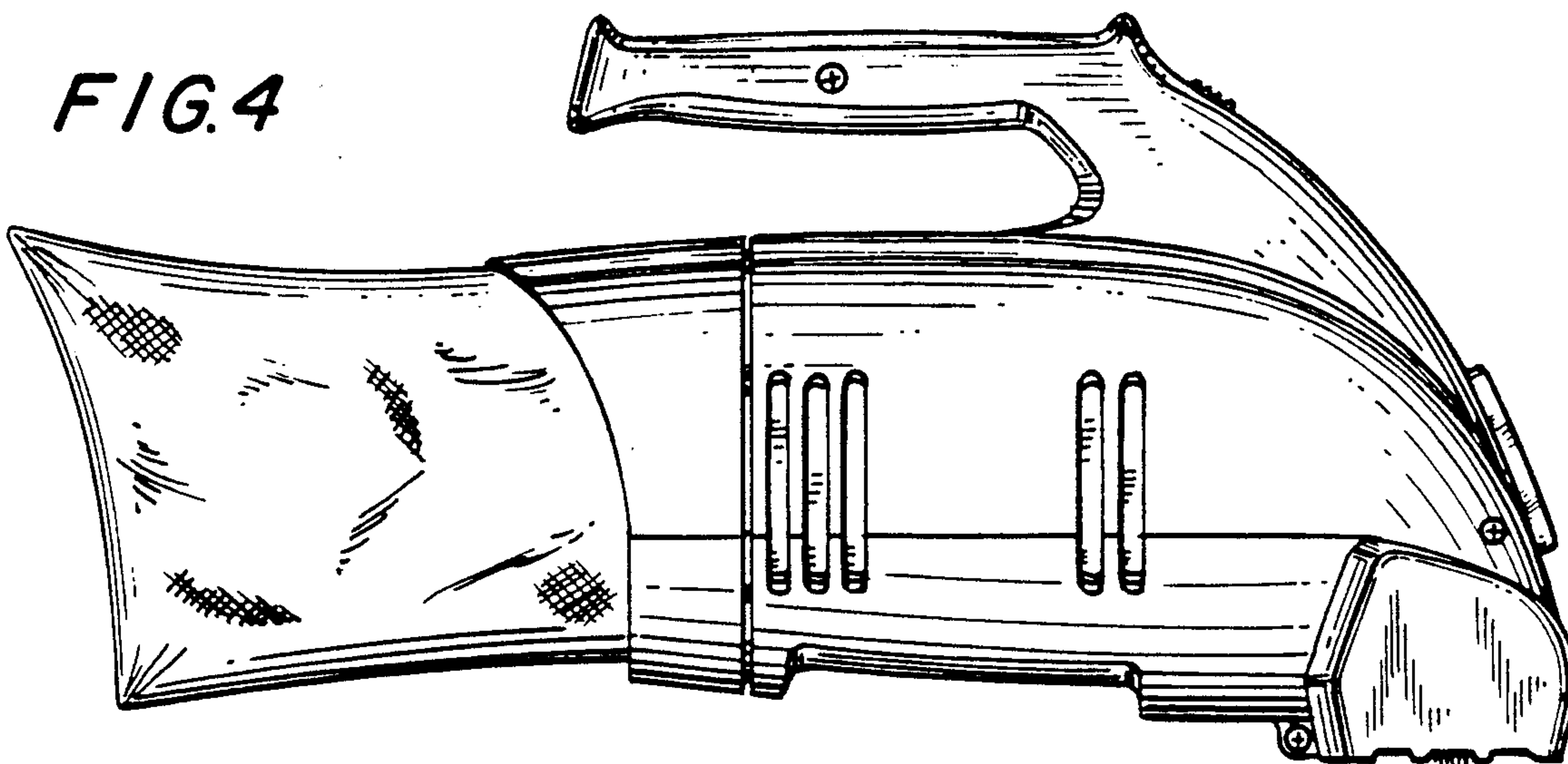
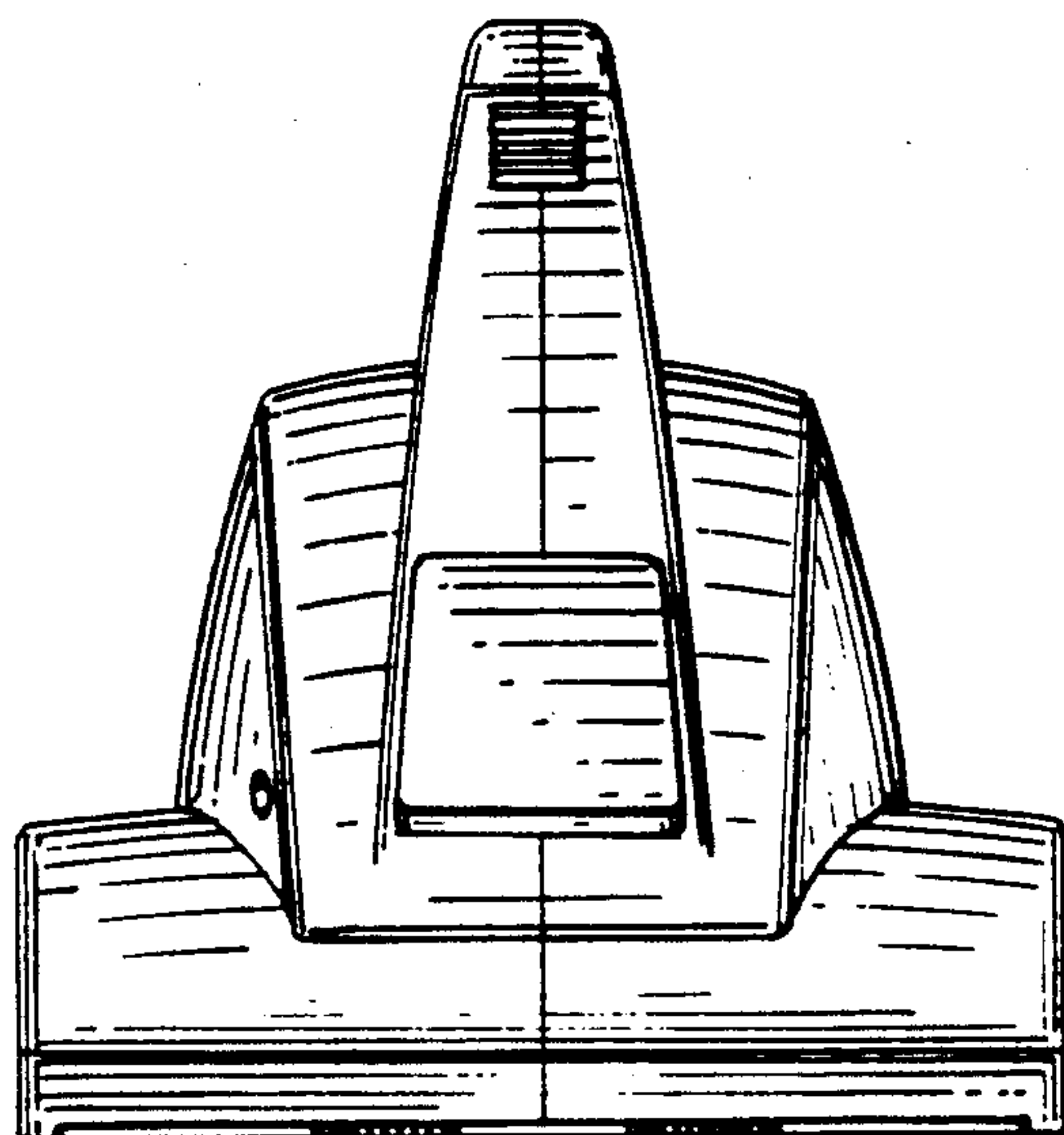


FIG. 6



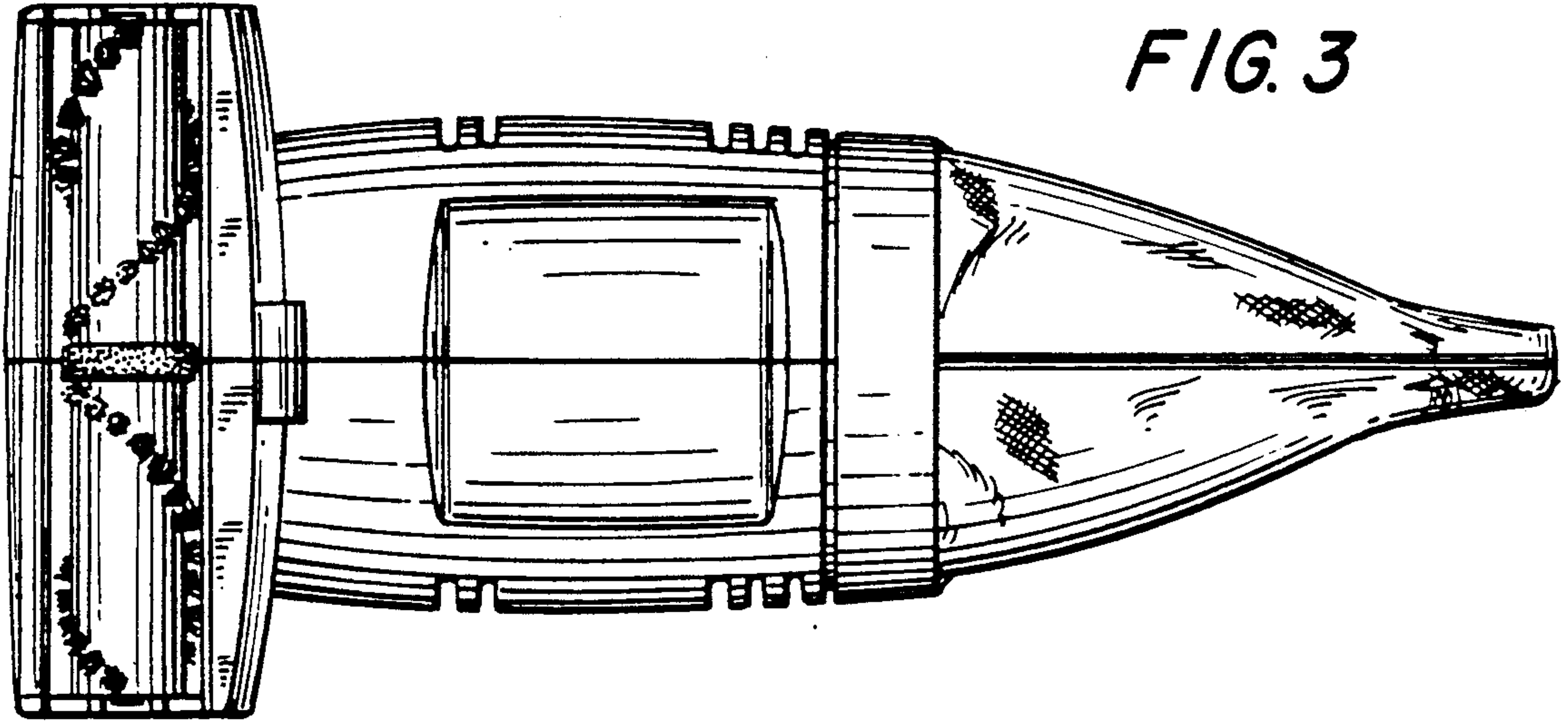


FIG. 3

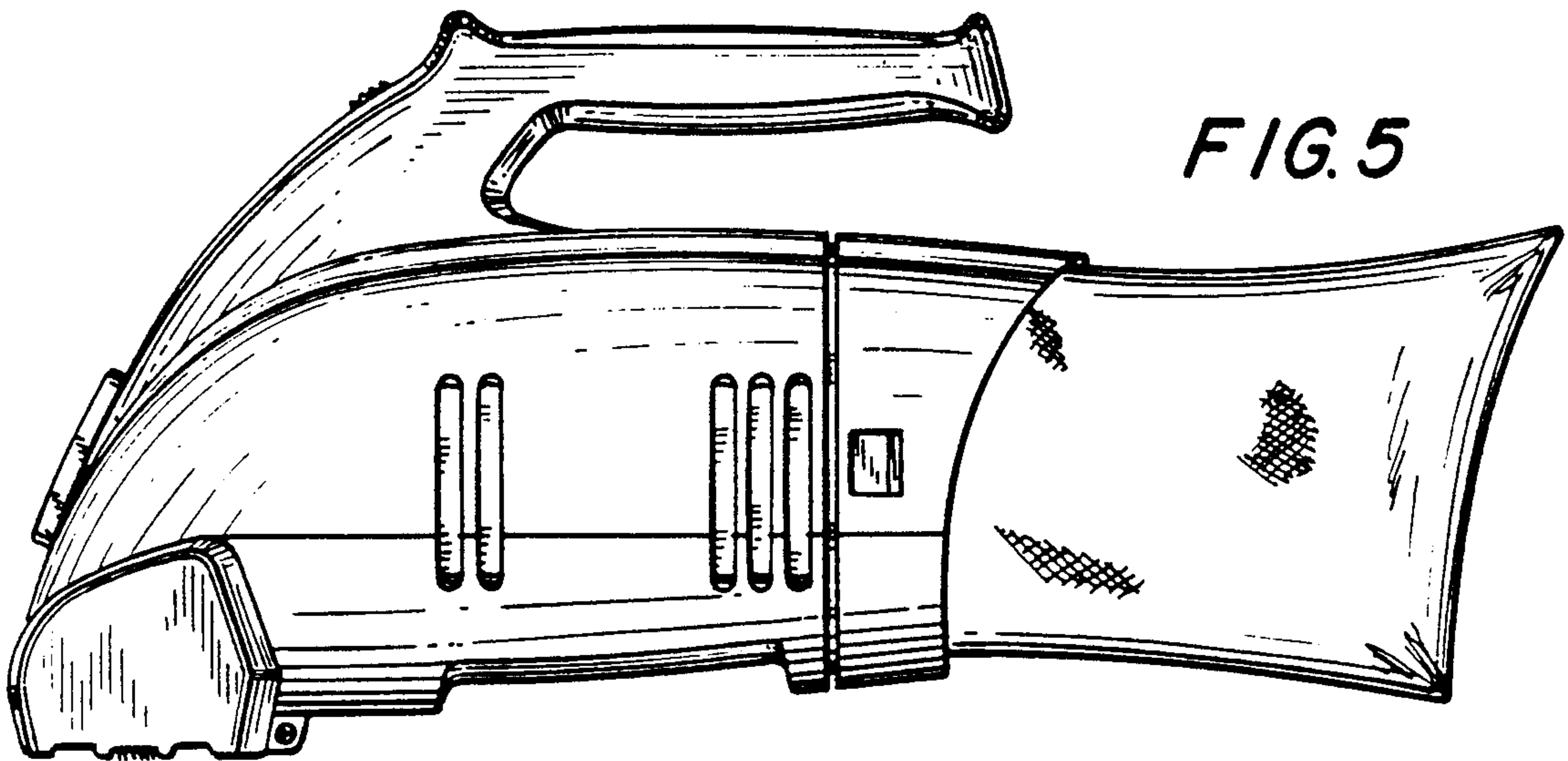


FIG. 5

FIG. 7

