

- [54] **COMBINED HAND-HELD PORTABLE VACUUM CLEANER AND BRUSH ATTACHMENT**
- [75] **Inventors: Bryan P. deBlois, West Haven; Burton E. Gerke, Jr., Newtown; Richard B. Kosten, West Haven, all of Conn.**
- [73] **Assignee: Black & Decker Inc., Newark, Del.**
- [\*\*] **Term: 14 Years**
- [21] **Appl. No.: 294,546**
- [22] **Filed: Jan. 9, 1989**
- [52] **U.S. Cl. .... D32/18**
- [58] **Field of Search ..... D32/17-18; 15/344, 329, 328, 330, 320-322, 415 R, 415 A, 418-422, 414**

[56] **References Cited**  
**U.S. PATENT DOCUMENTS**

D. 176,422	12/1955	Madi .	
D. 208,627	9/1967	Bonzer .	
D. 211,396	6/1968	Hori .	
D. 212,829	11/1968	Kraines .	
D. 214,084	5/1969	Kowloon .	
D. 214,339	6/1969	Fossella .	
D. 215,874	11/1969	Averitt .	
D. 231,658	5/1974	Stauff .....	D32/18
D. 246,752	12/1977	Fukuda et al. .	
D. 247,341	2/1978	Pelly .	
D. 253,452	11/1979	Tack .	
D. 257,941	1/1981	Tack .	
D. 266,707	10/1982	Bunyea .....	D32/33
D. 274,381	6/1984	Chiu .....	D32/18
D. 275,427	9/1984	Kishi et al. ....	D32/18
D. 277,706	2/1985	Wareham .....	D32/18
D. 278,278	4/1985	McCloskey .....	D32/18
D. 278,942	5/1985	Chiu .....	D32/18
D. 279,513	7/1985	Rinaldi et al. ....	D32/18
D. 280,142	8/1985	Pudwill .....	D32/18
D. 280,452	9/1985	Arita .....	D32/18
D. 280,453	9/1985	Tsuji .....	D32/18
D. 283,064	3/1986	Thomas et al. ....	D32/18

D. 284,797	7/1986	Fujii et al. ....	D32/18
D. 287,419	12/1986	Ling .....	D32/18
D. 288,971	3/1987	Hohulin et al. ....	D32/18
D. 289,576	4/1987	Okada et al. ....	D32/18
D. 292,832	1/1985	Yamamoto .....	D32/18
D. 293,140	7/1985	Beeren .....	D32/18
D. 294,412	2/1988	Sadashima et al. ....	D32/18
1,861,261	5/1932	Carson .	
4,011,624	3/1977	Proett .....	15/344
4,380,845	4/1983	Miller et al. ....	15/344
4,421,964	12/1983	Buchtel .....	200/157
4,513,470	4/1985	Toya .....	15/328
4,573,234	3/1986	Kochte et al. ....	15/323
4,573,237	3/1986	Kochte et al. ....	15/344
4,642,841	2/1987	Berfield et al. ....	15/330
4,665,582	5/1987	Richmond et al. ....	15/344
4,682,384	7/1987	Prahl et al. ....	15/344
4,704,765	11/1987	Ataka .....	15/323
4,841,594	6/1989	Elson et al. ....	15/338

**FOREIGN PATENT DOCUMENTS**

1147360	4/1963	Fed. Rep. of Germany .
2178949	2/1987	United Kingdom .

**OTHER PUBLICATIONS**

Housewares, 3/21/85, p. 59, "Eureka Vacuum Cleaner".

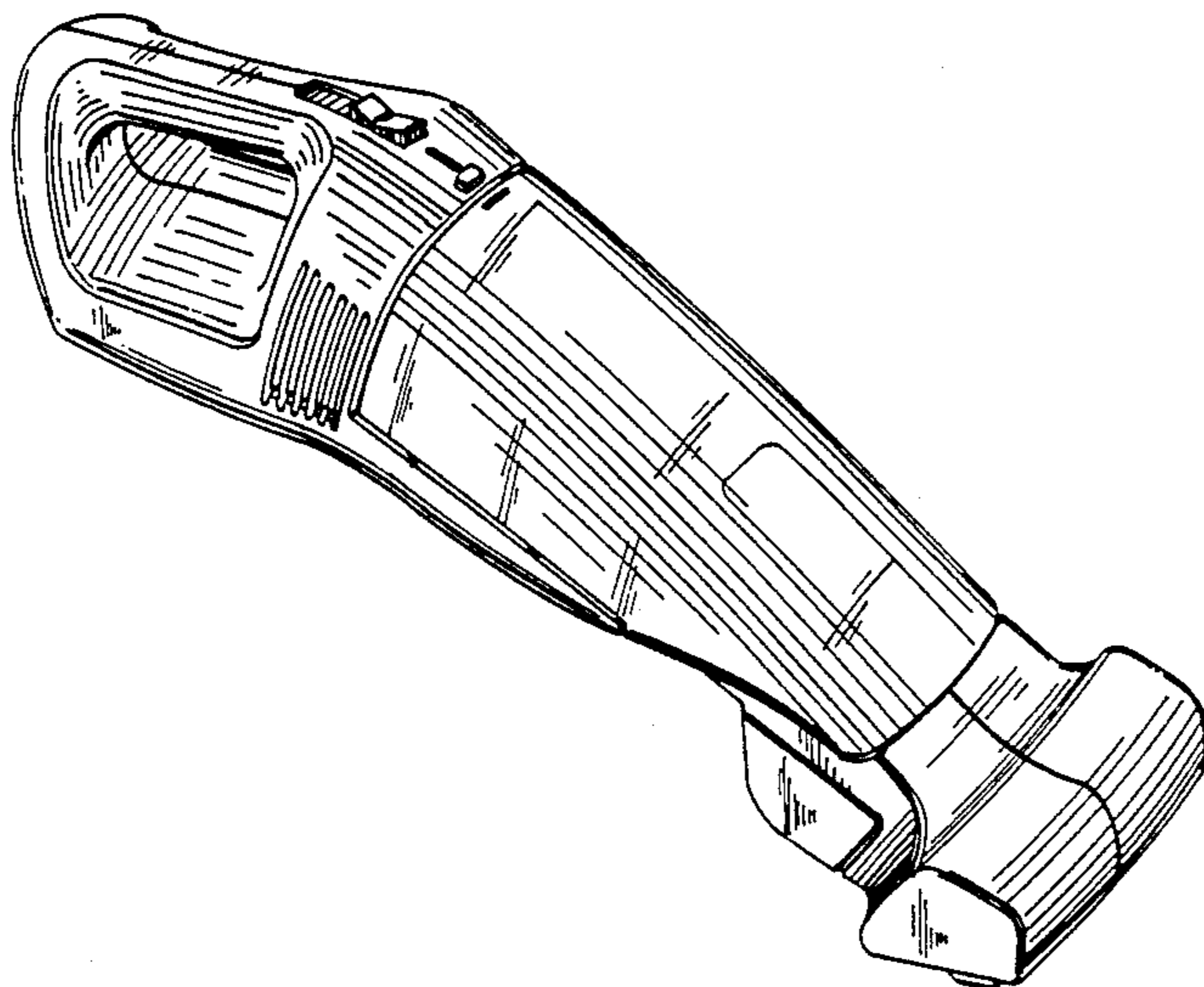
*Primary Examiner*—A. Hugo Word  
*Assistant Examiner*—Ruth McInroy  
*Attorney, Agent, or Firm*—Barry E. Deutsch

[57] **CLAIM**

The ornamental design for a combined hand-held portable vacuum cleaner and brush attachment, as shown.

**DESCRIPTION**

FIG. 1 is a reduced perspective view of a combined hand-held portable vacuum cleaner and brush attachment, showing our new design; FIG. 2 is a right side elevational view thereof; FIG. 3 is a left side elevational view thereof; FIG. 4 is a top plan view thereof; FIG. 5 is a bottom plan view thereof; FIG. 6 is a front elevational view thereof; and FIG. 7 is a rear elevational view thereof.



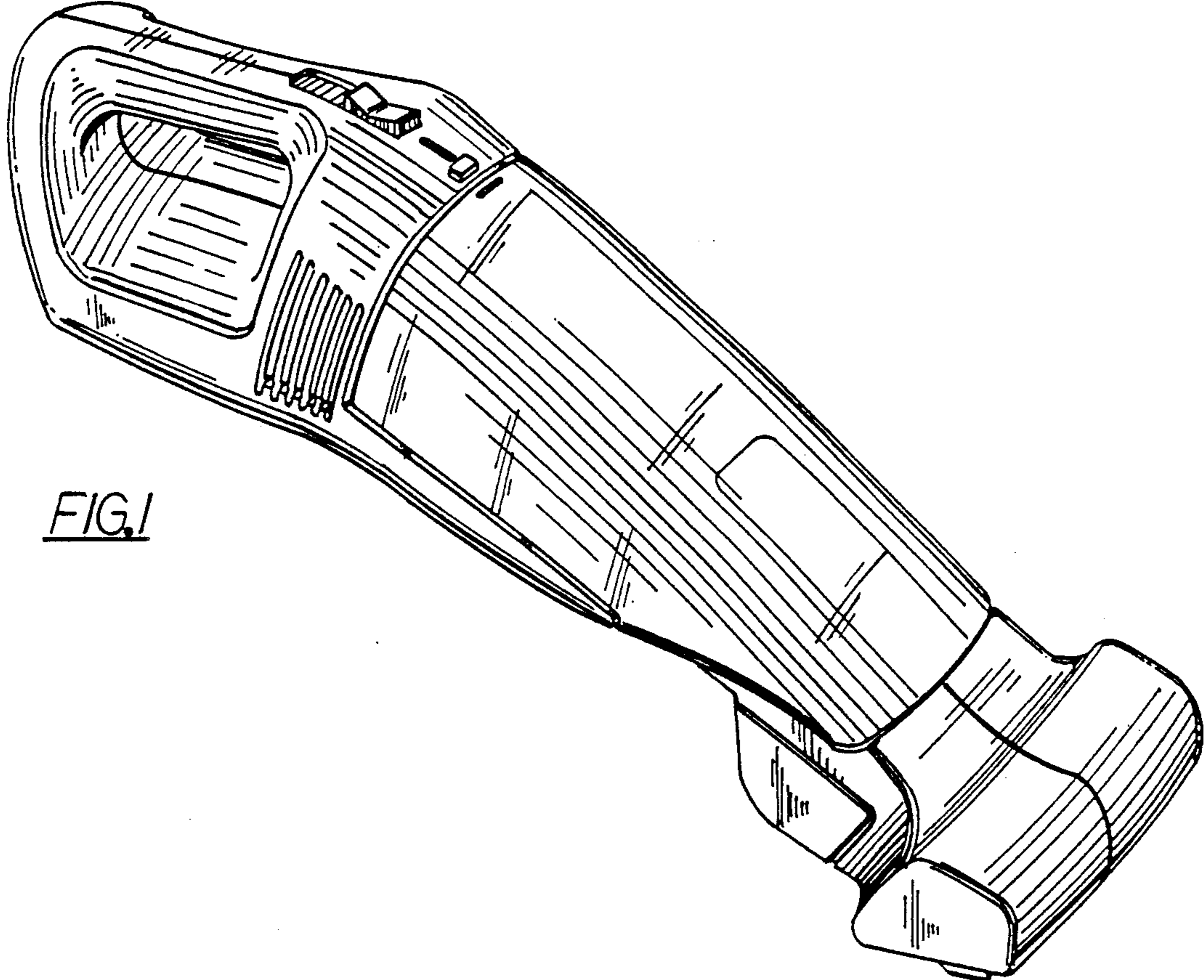


FIG. 1

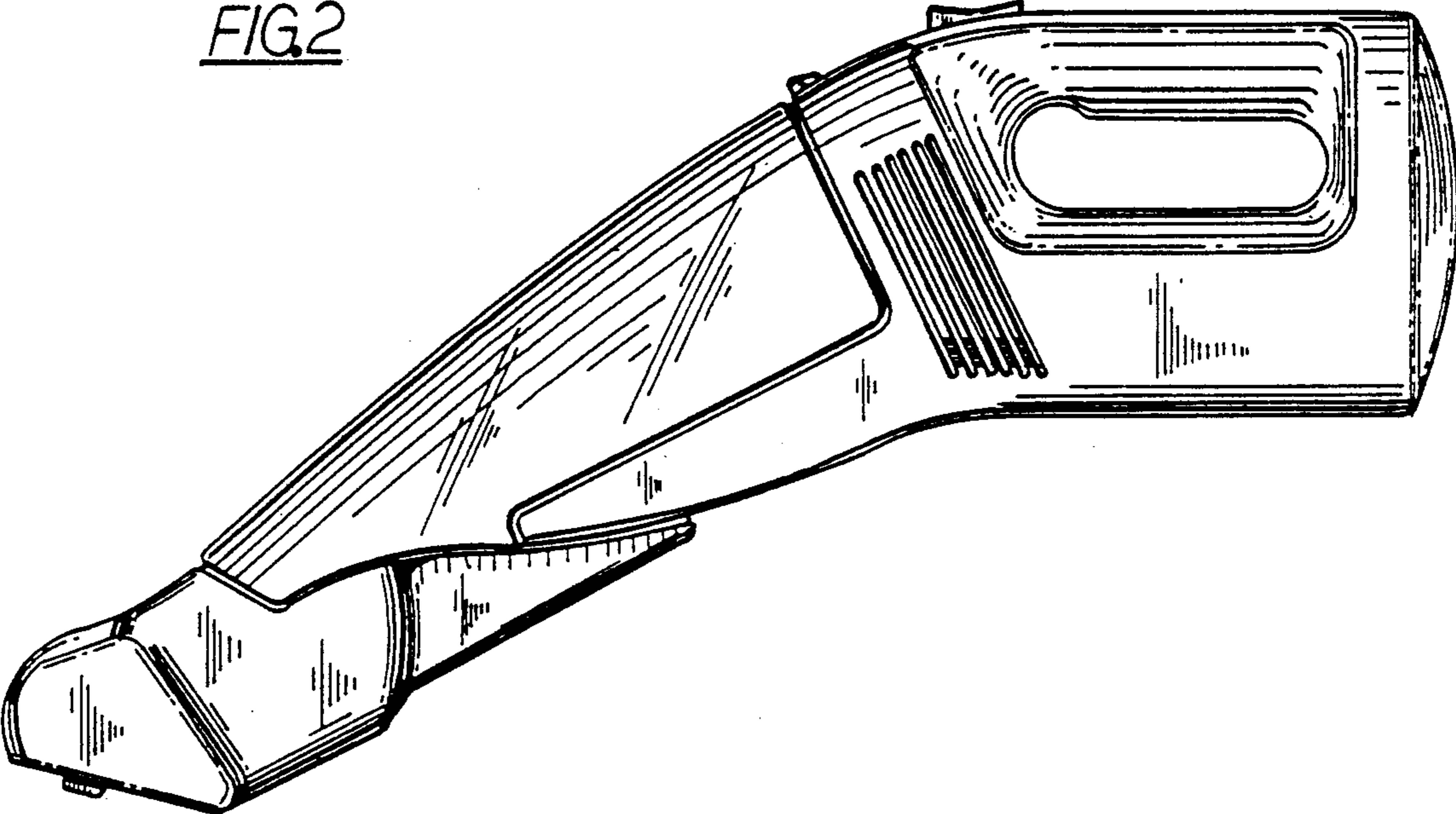


FIG. 2

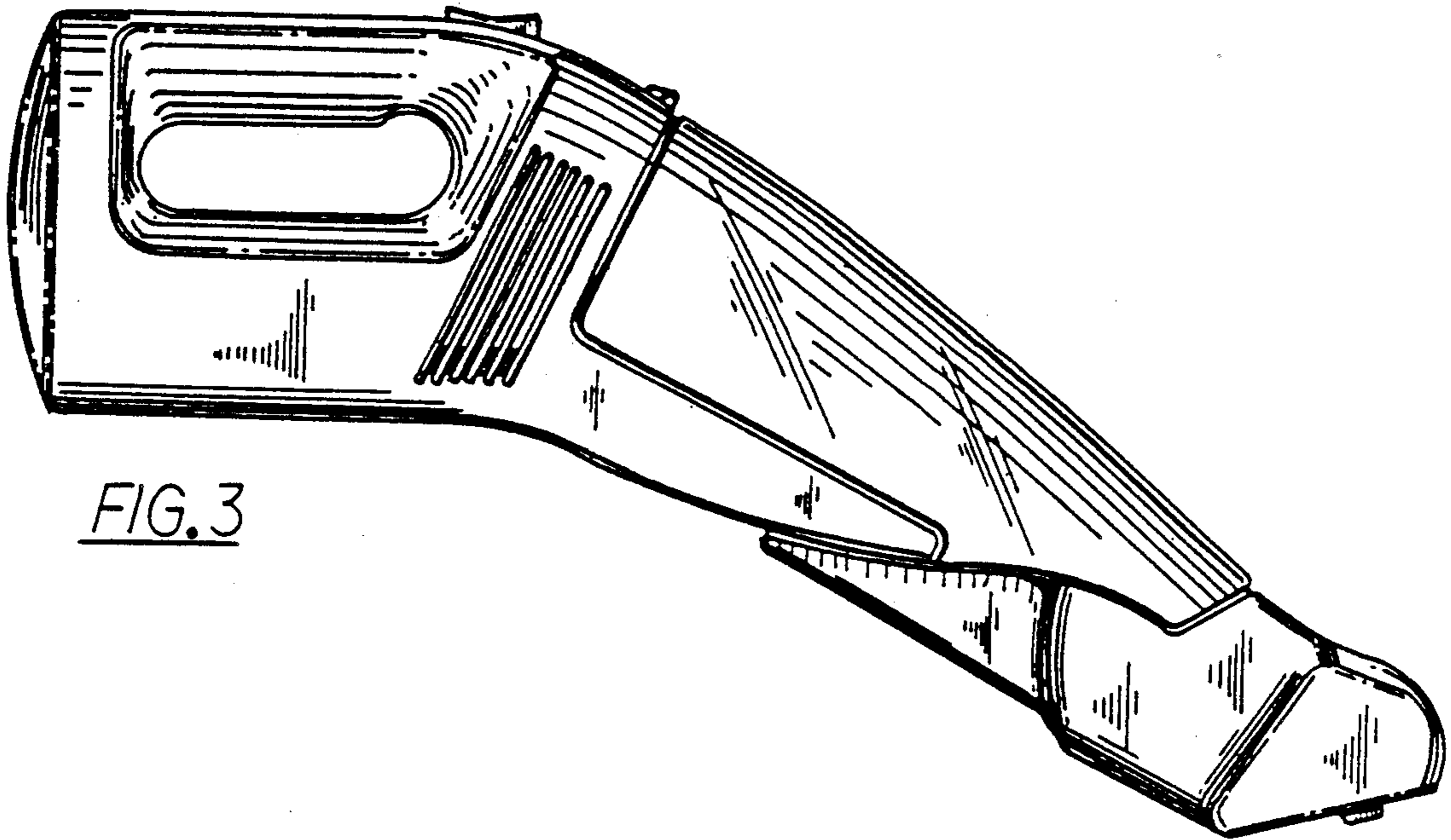


FIG. 3

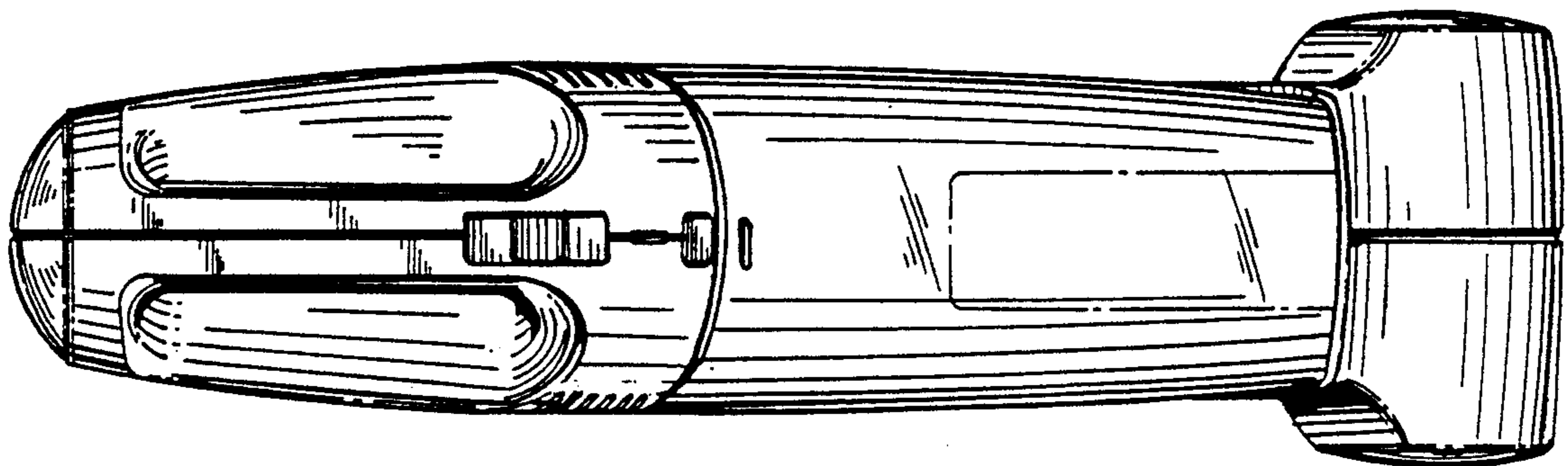


FIG. 4

FIG.5

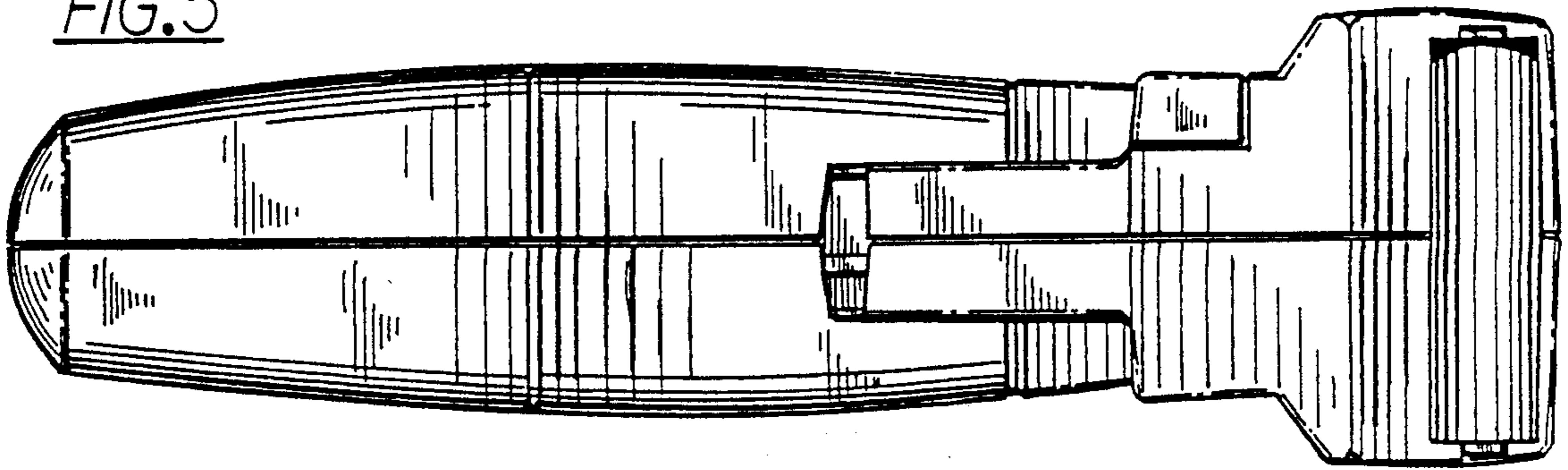


FIG.6

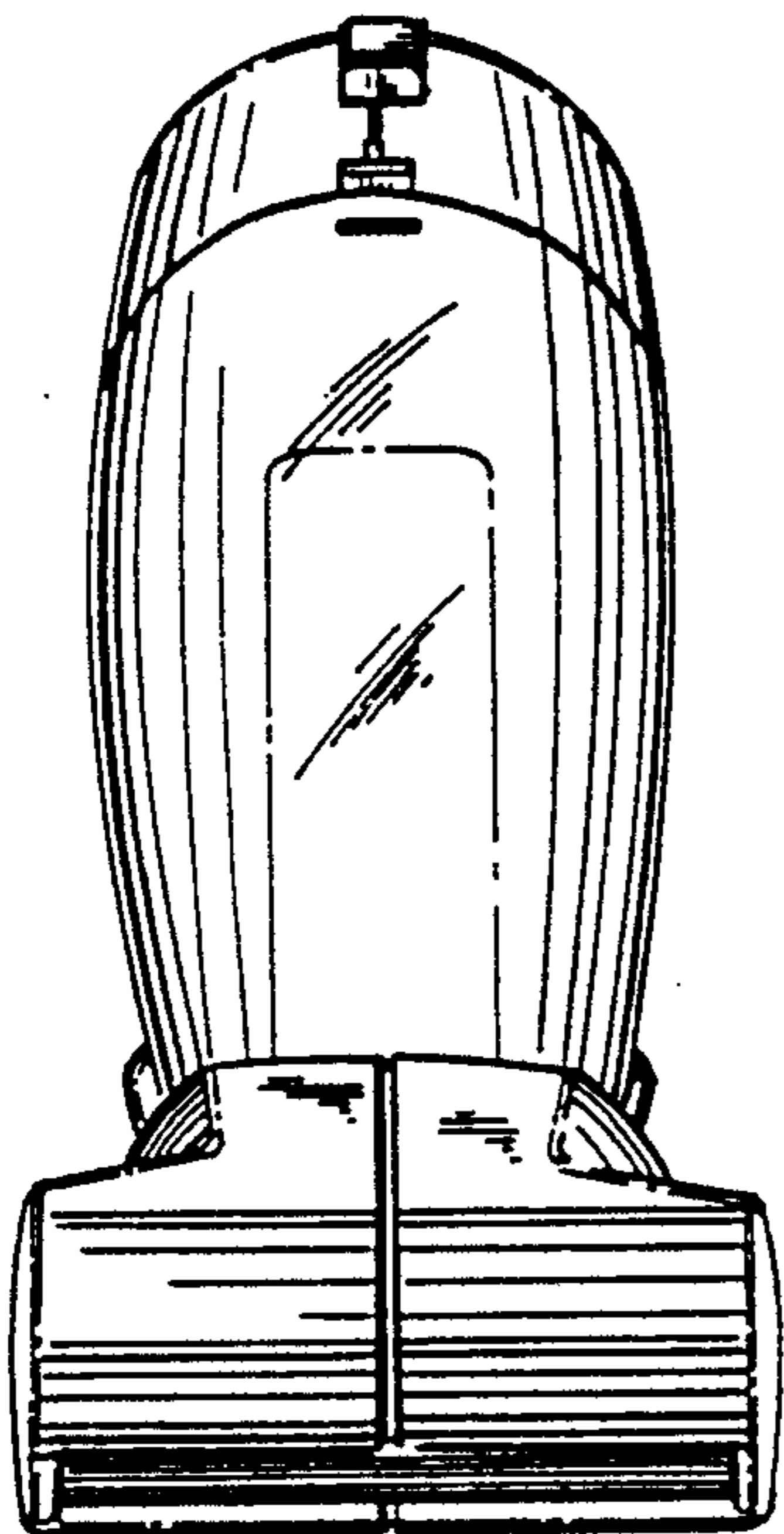


FIG.7

